



sok® | K-1166-C1

104" x 41" drop-in Effervescence bath with chromatherapy and center drain

Features

- Chromatherapy lighting allows you to select a preferred color scheme to suit your mood
- Built-in heater
- Remote control
- Overflow channel for deep soak and unique infinity pool effect
- Spacious design accommodates up to two bathers



Available Colors/Finishes

Color tiles intended for reference only.

0 White



1-800-4KOHLER (1-800-456-4537)
Kohler Co. reserves the right to make revisions without notice to product specifications.
For the most current specification sheet, go to www.kohler.com USA or www.kohler.ca Canada.
4-15-2026 4:2 - US-CA

THE BOLD LOOK
OF **KOHLER**®

Codes/Standards

ASME A112.19.7/CSA B45.10
 CSA B45.5/IAPMO Z124
 ASTM E162
 ASTM E662
 UL 1795
 CSA C22.2 No. 218.2
 cUL Listed
 UL Listed

Technical Information

All product dimensions are nominal.

Drain Location:	Center
Drain Hole Diameter:	2-1/4" (57 mm)
Basin Area, Bottom:	60" x 25-1/2" (1524 mm x 648 mm)
Basin Area, Top:	84" x 31-1/2" (2134 mm x 800 mm)
Water Depth:	24-5/8" (625 mm)
Water Capacity:	185 gal (700.3 L)
Minimum Floor Load:	62 lbs/ft ²
Weight:	480 lbs (217.7 kg)
Cutout:	Drop-in, 102-1/4" x 40" (2597 mm x 1016 mm)

Material

- Acrylic

Recommended Products/Accessories

- K-1601 Bath/whirlpool footstop, removable
- K-23726 Drain treatment
- K-23732 Tub & shower cleaner
- K-7223 Pop-up bath drain
- K-922 Wall- or -ceiling-mount bath filler
- K-923 Wall- or -ceiling-mount bath filler

Required Electrical Service

Two dedicated circuits required, protected with Class A Ground-Fault Circuit-Interrupter (GFCI). Outside North America, this device may be known as a Residual Current Device (RCD).

Pump:	240 V, 20 A, 50/60 Hz
Heater:	240 V, 20 A, 50/60 Hz

Electrical Component Ratings

Pump:	240 V, 4 A, 50/60 Hz
Number of Speeds:	Variable
Heater:	240 V, 15 A, 50/60 Hz, 4000 W

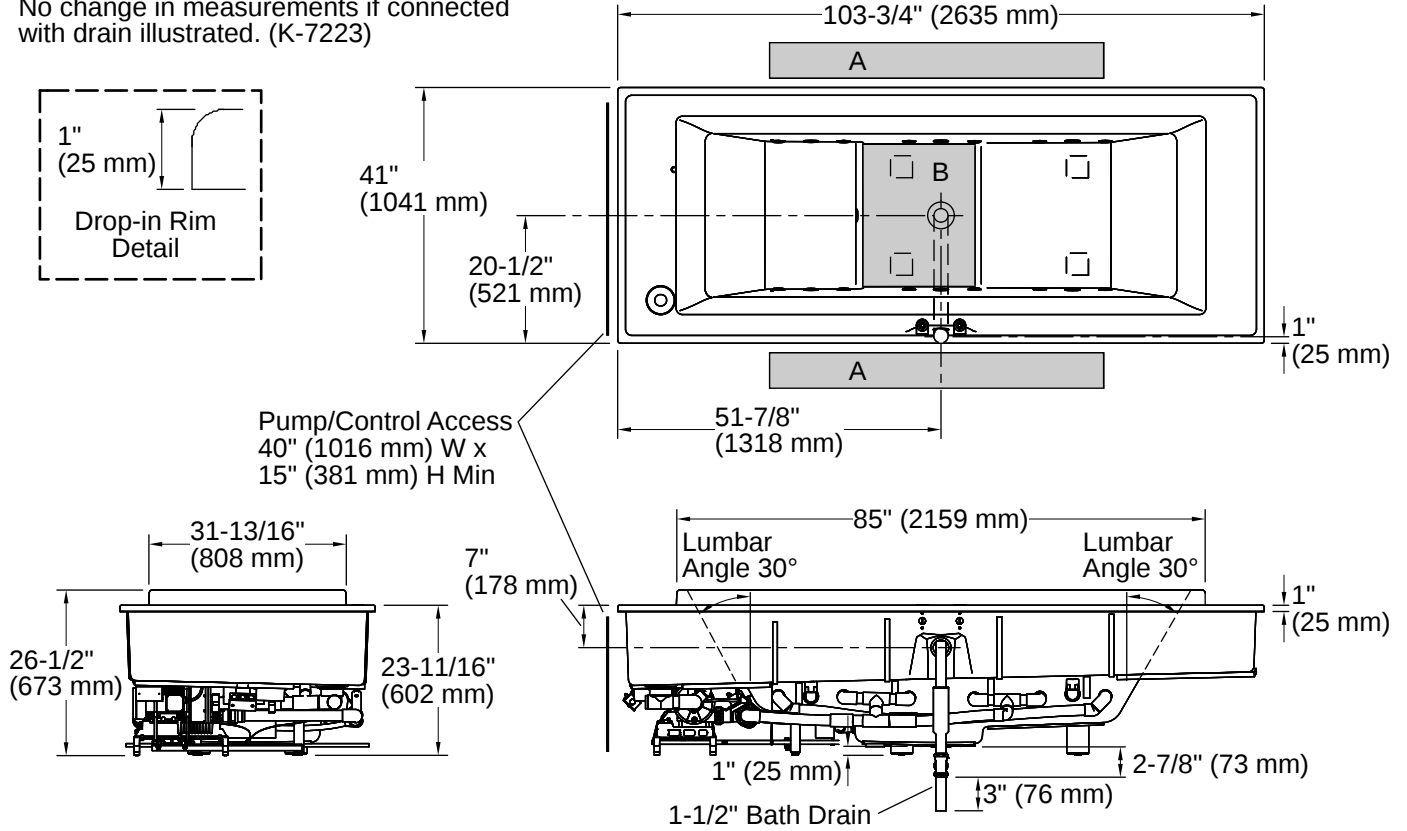
Warranty

See website for detailed warranty information.

KOHLER® Hydrotherapy Components Five-Year Limited
 Warranty|KOHLER® Plastic Baths and Shower Bases Lifetime Limited
 Warranty



No change in measurements if connected with drain illustrated. (K-7223)



Installation

- Center drain
- Drop-in

Installation Notes

Install this product according to the installation instructions.

Measure your actual product for rough-in details.

The hot water supply should be 70% of the capacity of the bath or greater. Installations will vary.

Unit must be filled through the bathing well.

Consult local and national codes for minimum air gap requirements when installing a spout on the faucet deck.

