

# KOHLER®

## K-1897

Large shower basket



### Available Colors/Finishes

*Color tiles intended for reference only.*

- S Polished Stainless
- BS Brushed Stainless



1-800-4KOHLER (1-800-456-4537)  
Kohler Co. reserves the right to make revisions without notice to product specifications.  
For the most current specification sheet, go to [www.kohler.com](http://www.kohler.com) USA or [www.kohler.ca](http://www.kohler.ca) Canada.  
4-15-2026 3:9 - US-CA

THE BOLD LOOK  
OF **KOHLER**®

---

## Codes/Standards

*None Applicable*

---

## Material

- Durable stainless steel construction
  - KOHLER finishes resist corrosion and tarnishing
- 

## Recommended Products/Accessories

K-23729 Stainless steel cleaner

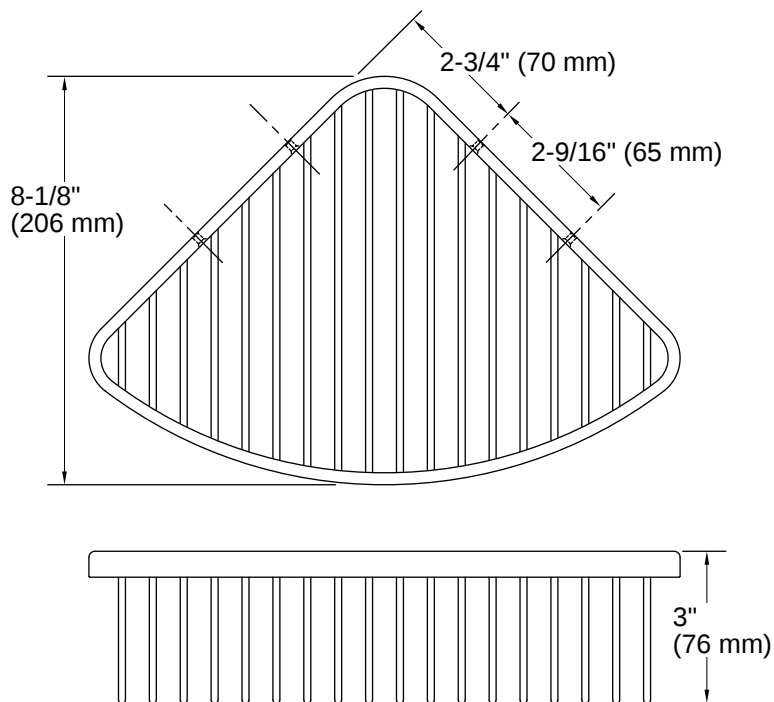
---

## Warranty

*See website for detailed warranty information.*

KOHLER® One-Year Limited Warranty





## Installation

- Designed for corner installation
- Mounting hardware included

## Installation Notes

*Install this product according to the installation instructions.*

Shower basket must be mounted to a brace between the wall studs.

The screws (provided) must be attached to ceramic tile, cement board, or a brace between the wall studs.

If mounting on ceramic tile, do not position the screw locations of the shower basket on a grout line.

Apply silicone sealant into the drilled holes before securing the shower basket to the finished surface. This will reduce the risk of water damage behind the finished surface.

