

ADJUSTABLE FLASHING DRAIN

» 833 SERIES

FinishLine™

SPECIFICATION

Sioux Chief 833 series FinishLine adjustable above-grade flashing drain shall be used where necessary in drainage systems. Flashing drain shall allow adjustment of 1¼" before the concrete pour, and 1¼" after the concrete pour. Flashing drain shall have an invertible flashing collar with openings to allow secondary drainage and ABS/PVC base adapter. Strainer shall meet applicable load requirements for intended use. Trap primer port shall be threaded ½" FIP for optional connection. Designed in accordance with ASME A112.6.3-2001.

MATERIALS

Ring/strainer: nickel-bronze, stainless steel
Head adapter/Coring sleeve/Clamping collar: gray ABS
Coring plug: high-impact polymer
Base adapter: ABS, PVC

STRAINER LOAD RATING

	Large Top:	Std. Top
Nickel-bronze (heel-proof):	750 lbs. (light duty)	1,650 lbs. (light duty)
Stainless steel (heel-proof):	1,000 lbs. (light duty)	2,000 lbs. (light duty)

STRAINER FREE AREA

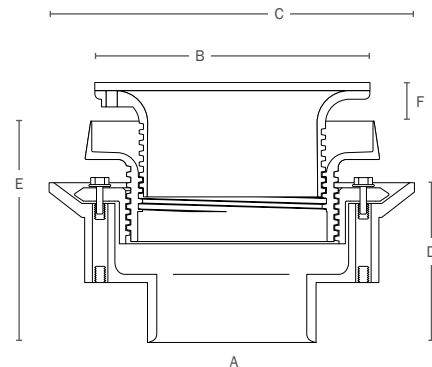
	Large Top:	Std. Top
Round Nik-Brz/Stainless:	13.4 in ²	8.5 in ²
Square Nik-Brz/Stainless:	16.4 in ²	12.75 in ²

DIMENSIONS

A: Connection size	2", 3", 4" Sch. 40 hub
B: Ring/strainer diameter	
Round (Std. /Large)	5½" / 6½"
Square (Std. /Large)	5⅞" / 7"
C: Flange diameter	8½"
D: Base Adapter height	
2" / 3" / 4" connection	3⅞" / 3⅝" / 4"
E: Pre-pour adjustable height*	
2" / 3" / 4" connection	4¼" – 6½" / 4¾" – 7" / 5⅞" – 7⅜"
F: Post-pour adjustable height	
round / square	0" – 1¼" / ⅝" – 1¼"

* Max height noted with inverted flashing collar

ITEM # SUBMITTED	_____
JOB NAME	_____
LOCATION	_____
ENGINEER	_____
CONTRACTOR	_____
PO#	_____ TAG _____



Create Item Number

833-ABCD

e.g. **833-35PNQ:** FinishLine 3" Sch. 40 hub adjustable flashing drain with square nickel-bronze ring and strainer

A: CONNECTION SIZE/TOP SIZE

2 = 2" conn. / Large top
25 = 2" conn. / Std. top
3 = 3" conn. / Large top
35 = 3" conn. / Std. top
4 = 4" conn. / Large top

B: CONNECTION TYPE

A = ABS Sch. 40 hub
P = PVC Sch. 40 hub

C: RING/STRAINER TYPE

NR = Round nickel-bronze
SR = Round stainless steel
NQ = Square nickel-bronze
SQ = Square stainless steel

D: OPTIONS (installed)

V = Vandal-resistant strainer screws
B = Complies with Buy American Act¹
E = 1¼" extended strainer rim¹
H = Hinged strainer²

Available separately:

Leveling shim kit for Std. top: 832-S3
 Leveling shim kit for Large top: 832-S4
 Stainless mesh debris bucket for Large top: 832-UM
 Flexible locating bristles kit: 832-W
 Ductile extension adapter for Std. top³: 832-EX3
 Ductile extension adapter for Large top³: 832-EX4
 Round nik-brz condensate funnel: 863-FN
 Oval nik-brz condensate funnel: 863-FNO
 Round aluminum condensate funnel: 863-FA

1 Available for round NB strainers only

2 Available for Large top only

3 Extends head 2" (min) to 4" (max) above Coring Sleeve