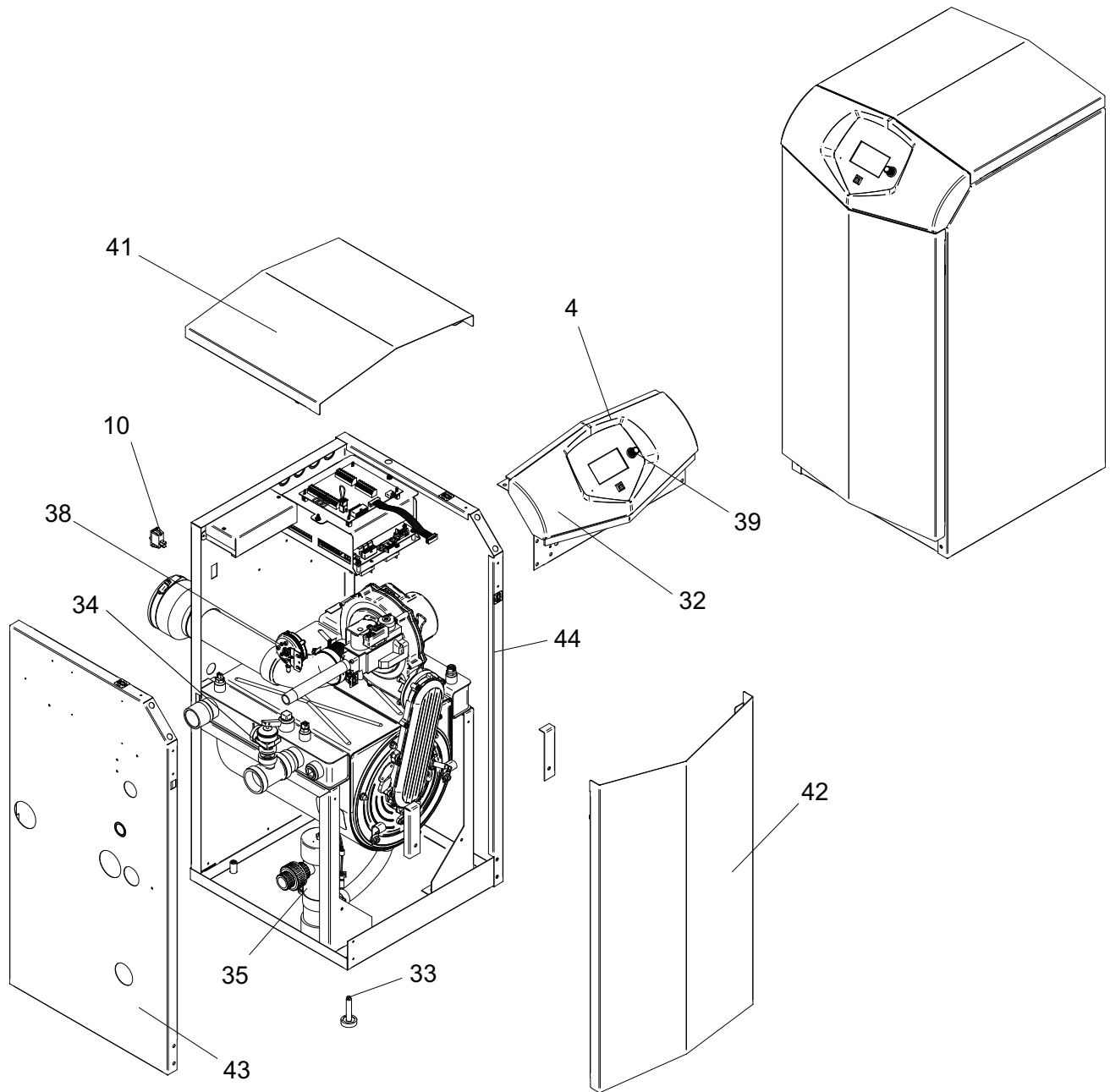




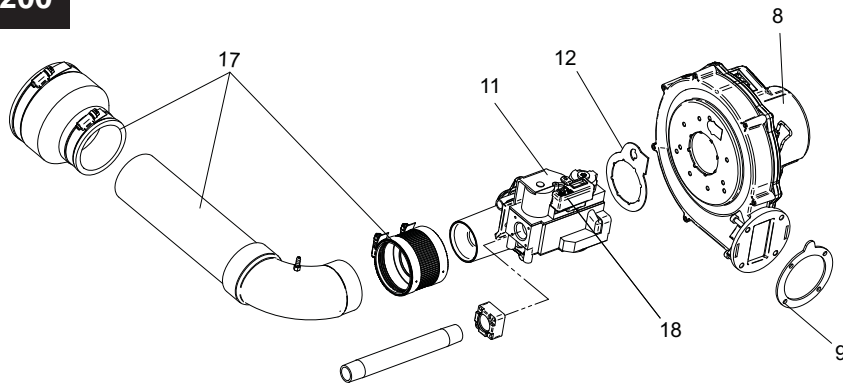
**PARTS & SERVICE DEPARTMENT**  
 Nashville, Tennessee  
 615-889-8900 • Fax: 615-882-2918  
 parts\_team@lochinvar.com  
 www.Lochinvar.com

**Replacement Parts List**

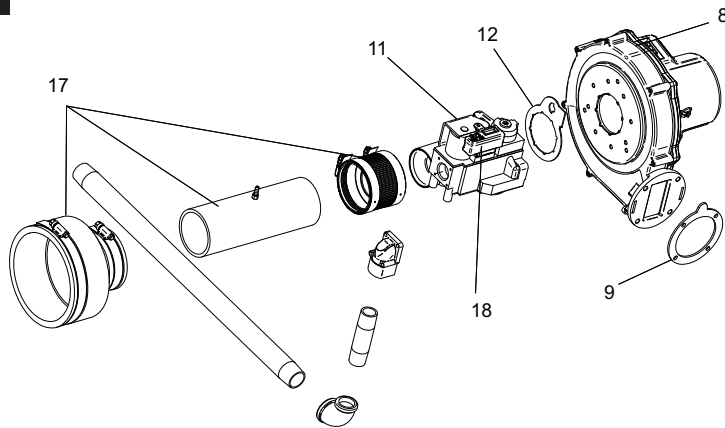
**Armor**  
**Condensing Water Heater**  
**AW 151 thru 801**



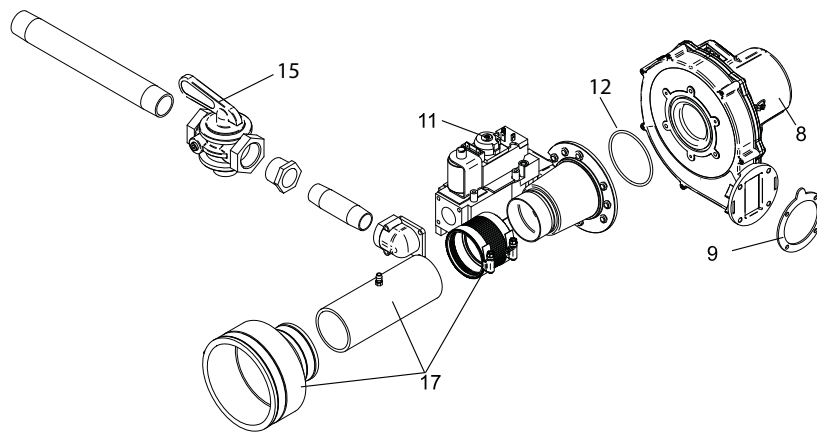
### GAS TRAIN 151-200



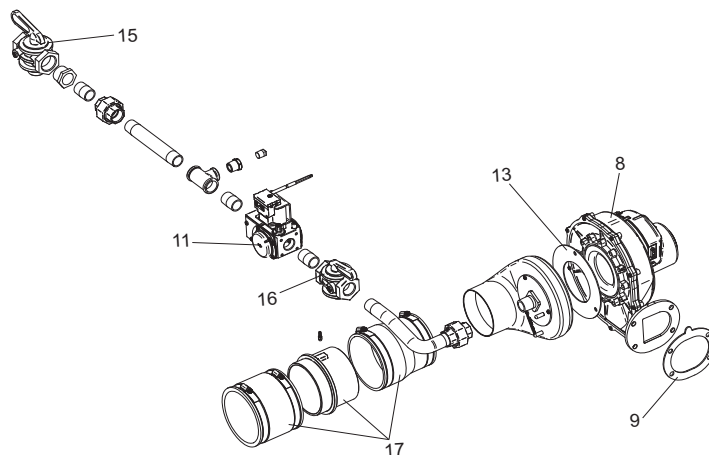
### GAS TRAIN 286



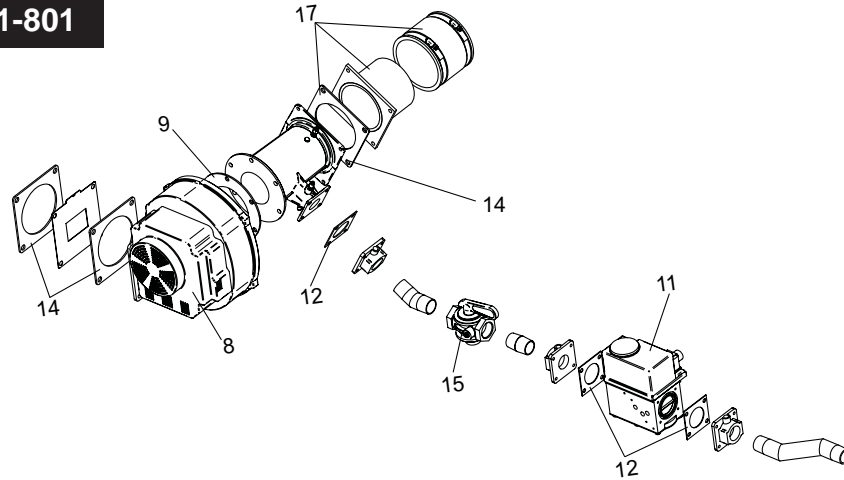
### GAS TRAIN 400



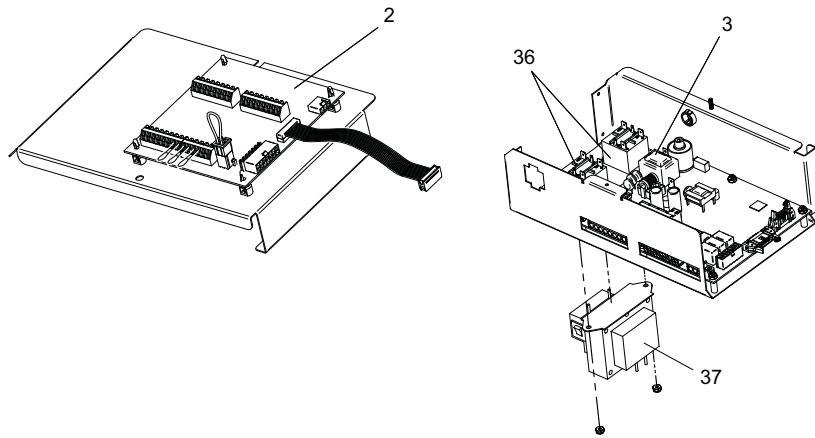
### GAS TRAIN 501



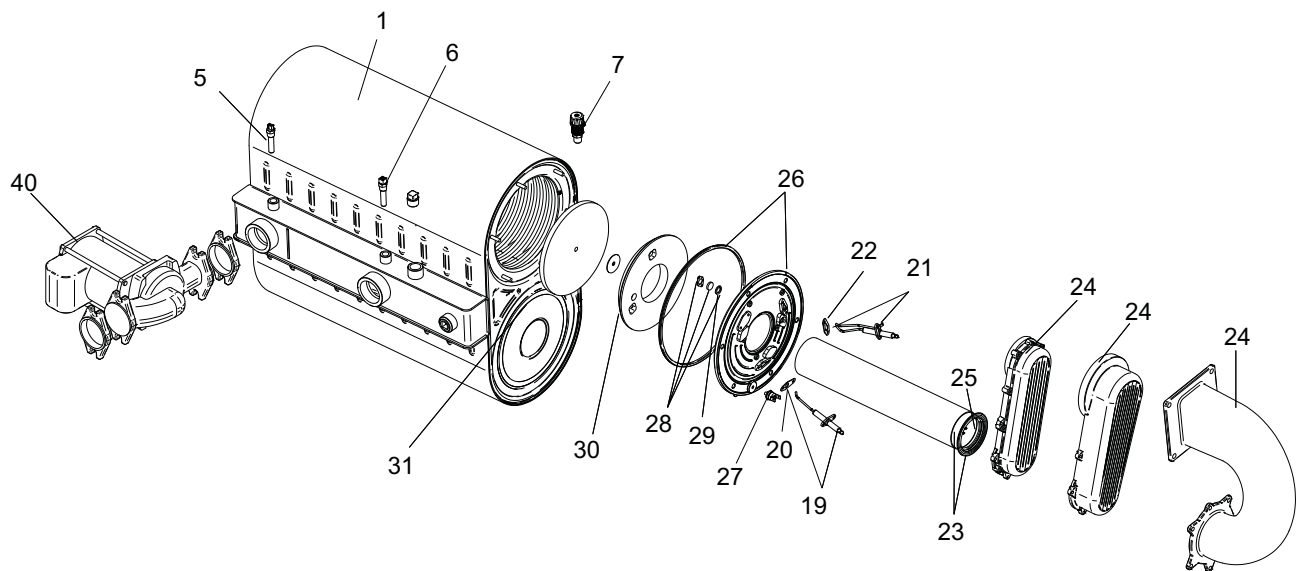
# GAS TRAIN 601-801



# CONTROL PANEL



# HEAT EXCHANGER



IMG00951

ITEM NO.	PART NO.	DESCRIPTION	MODEL
<b>HEAT EXCHANGER ASSEMBLY</b>			
1	100147750	HEAT EXCHANGER	AW 151
1	100147751	HEAT EXCHANGER	AW 200
1	100147752	HEAT EXCHANGER	AW 286
1	100147753	HEAT EXCHANGER	AW 400
1	100147754	HEAT EXCHANGER	AW 501
1	100147306	HEAT EXCHANGER	AW 601
1	100147307	HEAT EXCHANGER	AW 701
1	100147308	HEAT EXCHANGER	AW 801
<b>CONTROLS</b>			
2	100208473	CONNECTION BOARD	ALL
3	100167803	INTEGRATED CONTROL	AW 151-286
3	100167804	INTEGRATED CONTROL	AW 400
3	100167805	INTEGRATED CONTROL	AW 501
3	100167807	INTEGRATED CONTROL	AW 601 - 801
3	100167808	HIGH ALTITUDE INTEGRATED CONTROL	AW 151-286
3	100167809	HIGH ALTITUDE INTEGRATED CONTROL	AW 400
3	100167810	HIGH ALTITUDE INTEGRATED CONTROL	AW 501
3	100167811	HIGH ALTITUDE INTEGRATED CONTROL	AW 601 - 801
4	100208458	USER INTERFACE CONTROL	ALL
5	100208549	SENSOR, INLET	ALL
6	100208544	SENSOR, OUTLET / HIGH LIMIT	ALL
7	100167445	AIR VENT VALVE	ALL
8	100145004	FAN ASSEMBLY	AW 151
8	100145005	FAN ASSEMBLY	AW 200
8	100145006	FAN ASSEMBLY	AW 286
8	100145008	FAN ASSEMBLY	AW 400
8	100145009	FAN ASSEMBLY	AW 501
8	100144980	FAN ASSEMBLY	AW 601-801
9	100208764	GASKET, BLOWER	AW 200
9	100208101	GASKET, BLOWER	AW 151, 286, 400
9	100208759	GASKET, BLOWER	AW 501
9	100233694	GASKET, VENTURI	AW 601 - 801
10	100208242	SWITCH, ON/OFF	ALL
<b>GAS VALVES</b>			
11	100172003	GAS VALVE ASSEMBLY NAT	AW 151
11	100172004	GAS VALVE ASSEMBLY NAT	AW 200
11	100172005	GAS VALVE ASSEMBLY NAT	AW 286
11	100172006	GAS VALVE ASSEMBLY NAT	AW 400
11	100172009	GAS VALVE ASSEMBLY NAT	AW 501
11	100172014	GAS VALVE ASSEMBLY NAT	AW 601
11	100171923	GAS VALVE ASSEMBLY NAT	AW 701
11	100172015	GAS VALVE ASSEMBLY NAT	AW 801
11	100171928	GAS VALVE ASSEMBLY LP	AW 501
11	100171929	GAS VALVE ASSEMBLY LP	AW 601
11	100171930	GAS VALVE ASSEMBLY LP	AW 701
11	100171931	GAS VALVE ASSEMBLY LP	AW 801
12	100208760	GASKET, GAS VALVE	AW 151-286
12	100208761	GASKET, GAS VALVE	AW 400
12	100208105	GASKET, GAS VALVE	AW 601-801
13	100233703	GASKET, AIR SHROUD	AW 501
14	100208089	GASKET, AIR INTAKE	AW 400-801
15	100146149	GAS CUT OFF VALVE 1" X 1"	AW 501-801
16	100146148	GAS CUT OFF VALVE 3/4" X 3/4"	AW 501
<b>PLEASE HAVE SERIAL NUMBER AVAILABLE WHEN ORDERING PARTS</b>			

ITEM NO.	PART NO.	DESCRIPTION	MODEL
<b>GAS VALVES (CONT.)</b>			
17	100163251	AIR INLET KIT	AW 151
17	100163252	AIR INLET KIT	AW 200
17	100163253	AIR INLET KIT	AW 286
17	100163254	AIR INLET KIT	AW 400
17	100163255	AIR INLET KIT	AW 601-801
17	100163256	AIR INLET KIT	AW 501
18	100208324	GAS VALVE SWITCH	AW 151 - 286
<b>PILOT &amp; BURNER ASSEMBLIES</b>			
19	100165930	FLAME SENSOR W/ GASKET	AW 151-501
19	100165931	FLAME SENSOR W/ GASKET	AW 601-801
20	100208091	GASKET, FLAME SENSOR	ALL
21	100165929	IGNITOR W/ GASKET	AW 151-501
21	100165920	IGNITOR W/ GASKET	AW 601-801
22	100208086	GASKET, IGNITOR	ALL
23	100135308	BURNER W/GASKET	AW 151
23	100135309	BURNER W/GASKET	AW 200
23	100135310	BURNER W/GASKET	AW 286
23	100135311	BURNER W/GASKET	AW 400-501
23	100135313	BURNER W/ GASKET	AW 601
23	100135314	BURNER W/ GASKET	AW 701
23	100135315	BURNER W/ GASKET	AW 801
24	100173796	GAS/AIR ARM ASSEMBLY W/ GASKET	AW 151
24	100173792	GAS/AIR ARM ASSEMBLY W/ GASKET	AW 200-400
24	100173793	GAS/AIR ARM ASSEMBLY W/ GASKET	AW 501
24	100173798	GAS/AIR ARM ASSEMBLY W/GASKET	AW 601-801
25	100208085	GASKET, BURNER	AW 151-501
25	100233594	GASKET, BURNER	AW 601-801
26	100173794	HEAT EXCHANGER ACCESS DOOR KIT	AW 151-501
26	100173799	HEAT EXCHANGER ACCESS DOOR KIT	AW 601-801
27	100094572	SWITCH, HEX DOOR TEMP (BEGINNING SN# F14)	AW 286-801
<b>MISCELLANEOUS</b>			
28	100163249	SIGHT GLASS	ALL
29	100208762	GASKET, SIGHT GLASS	ALL
30	100208060	INSULATION, BURNER PLATE DOOR	AW 151-501
30	100208059	INSULATION, BURNER PLATE DOOR	AW 601-801
31	100208061	INSULATION BAFFLE, DIVIDER PLATE	ALL
32	100163192	DISPLAY BEZEL	ALL
33	100134788	LEVELING LEG	ALL
34	100208453	T & P RELIEF 1" X 150#	AW 151-200
34	100208443	T & P RELIEF 3/4" X 150#	AW 286-400
34	100208446	T & P RELIEF 3/4" X 150#	AW 501-801
-	100208807	FUSE, 1.25 AMP	ALL
-	100208231	FUSE, 3.15 AMP	ALL
-	100208232	FUSE, 5 AMP	ALL
-	100208660	FLOW SWITCH	AW 151-200 & 400-801
-	100208661	FLOW SWITCH	AW 286
35	100163241	CONDENSATE TRAP	AW 151-200
35	100163244	CONDENSATE TRAP	AW 286-801
36	100208509	RELAY, 1.5 HP PUMP	ALL
-	100208243	SWITCH, BLOCKED DRAIN	ALL
-	100208154	GAUGE TRIOMETER, 75# PSI	AW 501-801
-	100170642	FLUE TEMP SENSOR KIT	ALL
-	100189053	KIT, COLLAR, FLUE 3"	AW 151-200

**PLEASE HAVE SERIAL NUMBER AVAILABLE WHEN ORDERING PARTS**

ITEM NO.	PART NO.	DESCRIPTION	MODEL
<b>MISCELLANEOUS</b>			
-	100189054	KIT, COLLAR, FLUE 4"	AW 286-601
-	100157660	ALARM BELL	ALL
-	100157721	NEUTRALIZER KIT	AW 151-501
-	100157700	NEUTRALIZER KIT	AW 601-801
-	100170644	SENSOR KIT, TANK	ALL
37	100208230	TRANSFORMER	AW 151-701
37	100208246	TRANSFORMER	AW 801
38	100208377	SWITCH, PRESSURE	AW 151 & 286
38	100208378	SWITCH, PRESSURE	AW 200 & 400
38	100208383	SWITCH, PRESSURE	AW 501
38	100208382	SWITCH, PRESSURE	AW 601-801
39	100162600	FLUTED KNOB W/ SKIRT	ALL
-	100159008	LP CONVERSION KIT	AW 151
-	100159009	LP CONVERSION KIT	AW 200
-	100159010	LP CONVERSION KIT	AW 286
-	100159011	LP CONVERSION KIT	AW 400
-	100159012	LP CONVERSION KIT	AW 501-801
-	100148402	LIMIT, HEAT EXCHANGER OVER TEMP	ALL
-	100208625	HARNESS, CONNECTION BOARD	ALL
-	100172816	HARNESS, RELAY	ALL
-	100172817	HARNESS, POWER	AW 151-286
-	100172815	HARNESS, POWER	AW 400-801
-	100208627	HARNESS, GAS VALVE	AW 151-286
-	100208637	HARNESS, GAS VALVE	AW 400
-	100173314	HARNESS, GAS VALVE	AW 501
-	100172958	HARNESS, GAS VALVE	AW 601-801
-	100208628	HARNESS, UNIT	AW 151 & 200
-	100072936	HARNESS, UNIT	AW 286
-	100072937	HARNESS, UNIT	AW 400-801
-	100208636	CABLE, RIBBON	AW 151-501
-	100208638	CABLE, RIBBON	AW 601-801
-	100208621	HARNESS, SPARK ELECTRODE	AW 151 & 200
-	100208620	HARNESS, SPARK ELECTRODE	AW 286
-	100208618	HARNESS, SPARK ELECTRODE	AW 400 & 501
-	100208623	HARNESS, SPARK ELECTRODE	AW 601-801
-	100208622	HARNESS, FLAME SENSE ELECTRODE	ALL
<b>PUMPS</b>			
40	100166430	PUMP, PRIOR TO DECEMBER 2014	AW 151-200
40	100208409	PUMP, STANDARD, BEGINNING DECEMBER 2014	AW 151-200
40	100287807	PUMP, STANDARD, BEGINNING OCTOBER 2017	AW 151-200
40	100287809	PUMP, UPSIZED, BEGINNING JULY 2017	AW 151-200
40	100166428	PUMP, STANDARD	AW 286
40	100166409	PUMP, UPSIZED, BEGINNING JULY 2017	AW 286
40	100166432	PUMP, PRIOR TO DECEMBER 2014	AW 400
40	100232190	PUMP, STANDARD, BEGINNING DECEMBER 2014	AW 400
40	100166409	PUMP, UPSIZED, BEGINNING JULY 2017	AW 400
40	100287810	PUMP, UPSIZED, BEGINNING OCTOBER 2017	AW 400
40	100166408	PUMP, PRIOR TO DECEMBER 2014	AW 501-601
40	100232190	PUMP, BEGINNING DECEMBER 2014	AW 501-601
40	100166409	PUMP, UPSIZED, BEGINNING JULY 2017	AW 501-601
40	100287810	PUMP, UPSIZED, BEGINNING OCTOBER 2017	AW 501-601
40	100166409	PUMP, STANDARD	AW 701-801
40	100287831	PUMP, UPSIZED, BEGINNING JULY 2017	AW 701-801

**PLEASE HAVE SERIAL NUMBER AVAILABLE WHEN ORDERING PARTS**

ITEM NO.	PART NO.	DESCRIPTION	MODEL
<b>JACKET ASSEMBLY</b>			
41	100149684	JACKET, TOP	AW 151
41	100149687	JACKET, TOP	AW 200
41	100149688	JACKET, TOP	AW 286
41	100149689	JACKET, TOP	AW 400
41	100149690	JACKET, TOP	AW 501
41	100149691	JACKET, TOP	AW 601
41	100149692	JACKET, TOP	AW 701
41	100149693	JACKET, TOP	AW 801
42	100189059	JACKET, FRONT	AW 151-200
42	100189060	JACKET, FRONT	AW 286
42	100189061	JACKET, FRONT	AW 400-801
43	100149874	JACKET, LEFT SIDE	AW 151
43	100149875	JACKET, LEFT SIDE	AW 200
43	100149876	JACKET, LEFT SIDE	AW 286
43	100149878	JACKET, LEFT SIDE	AW 400
43	100149861	JACKET, LEFT SIDE	AW 501
43	100149862	JACKET, LEFT SIDE	AW 601
43	100149863	JACKET, LEFT SIDE	AW 701
43	100149864	JACKET, LEFT SIDE	AW 801
44	100150904	JACKET, RIGHT SIDE	AW 151
44	100150905	JACKET, RIGHT SIDE	AW 200
44	100150906	JACKET, RIGHT SIDE	AW 286
44	100150907	JACKET, RIGHT SIDE	AW 400
44	100150341	JACKET, RIGHT SIDE	AW 501
44	100150212	JACKET, RIGHT SIDE	AW 601
44	100150220	JACKET, RIGHT SIDE	AW 701
44	100150225	JACKET, RIGHT SIDE	AW 801
PLEASE HAVE SERIAL NUMBER AVAILABLE WHEN ORDERING PARTS			

