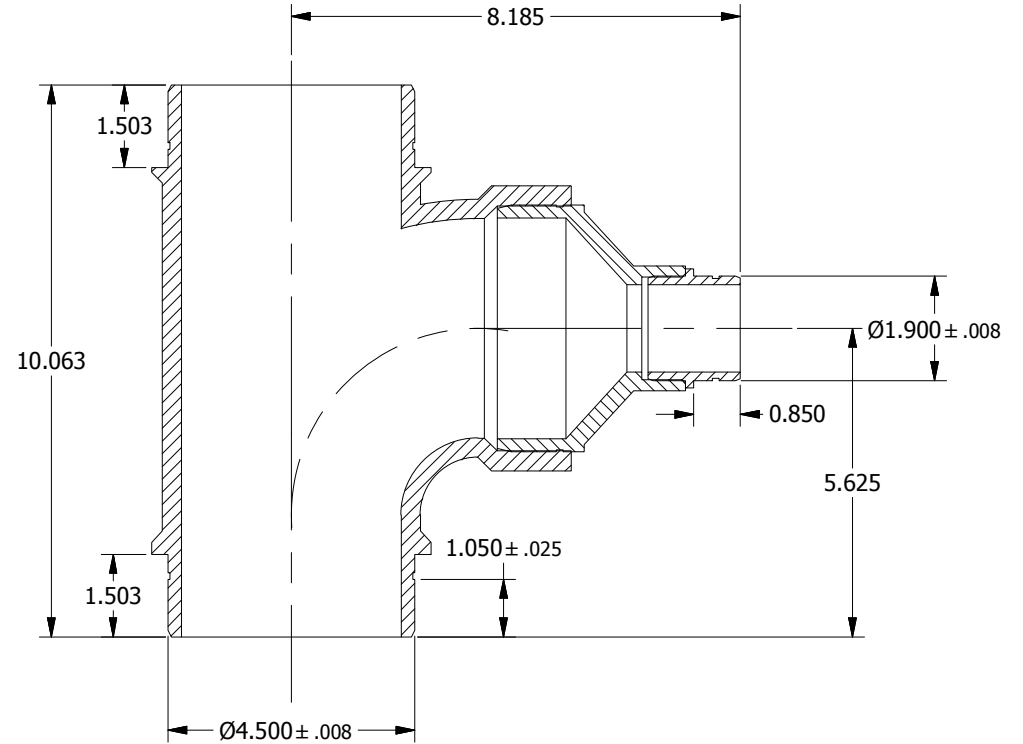
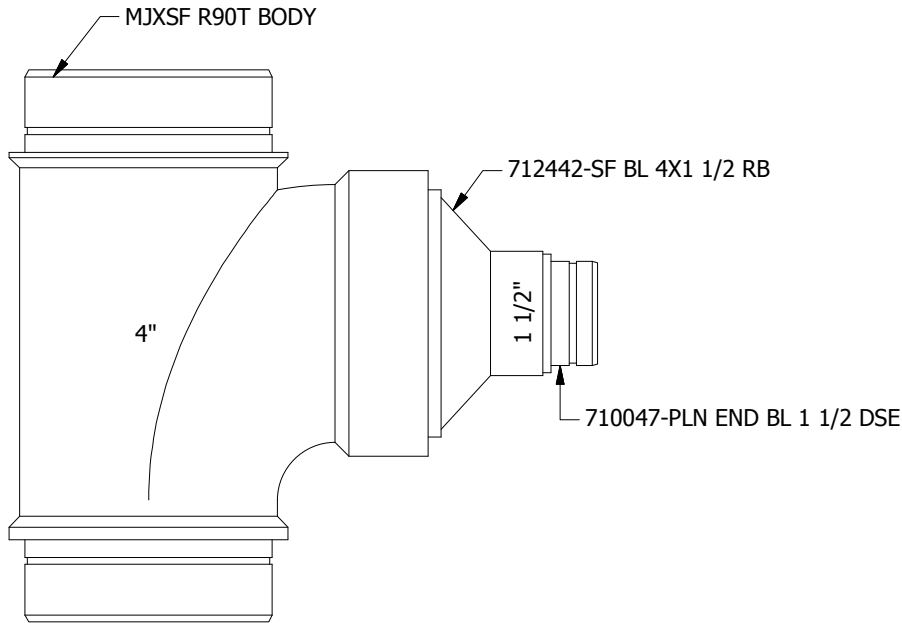


NO.	ALTERATIONS	DATE	BY	CHK'D



NOTES:

- 1.- THE MOLDED PART MUST BE FREE OF BURRS & FLASH
- 2.- THE SIZE OF THE PIECE MUST BE MARKED
- 3.- THE POSITION ON THE DRAWING OF THE SIZE MARKING IS FOR REFERENCE ONLY
- 4.- PLACE LABEL 92667291 ON THE PART

UNLESS OTHERWISE SPECIFIED DIMENSIONS ARE IN INCHES
TOLERANCES ARE IN:

DECIMALS	ANGLES	O-O-R
.XX= ±0.010	±0.5°	0.060
.XXX= ±0.005		

EDP. NO.	710344	WATTS BURLINGTON, ONTARIO, CANADA	ORION FITTINGS KANSAS CITY, KS 66115, USA	PART NO.	-
DWG. NO.	-	TITLE PLN END BL 4X1 1/2 R90T			
REV	0	MATERIAL	WEIGHT N/A		
PLOT	NTS	703000 VIRGIN 7823/TI4007 PPII 95% 706006 FLAME RETARDANT BLUE 5%	BY	DRAWN	APPRV'D
SCALE	1:1		NAME	VASIM	B.GHALY
COLOR	BLUE		DATE	14/9/15	14/9/15
		MATERIAL PPII	PRINTS BEFORE SEP 14, 2015 ARE VOID		