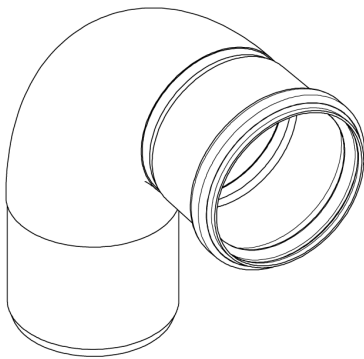
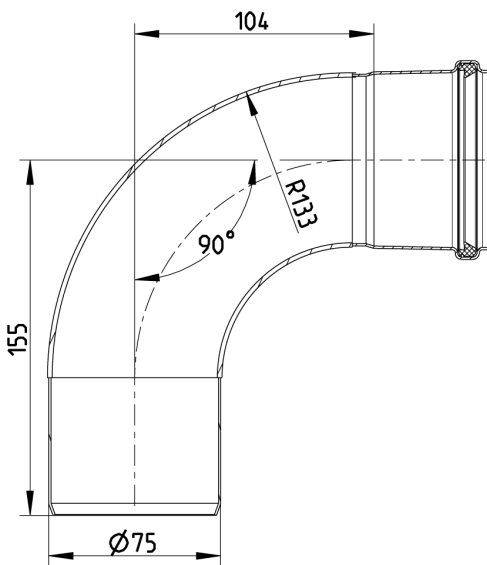




BEND, LARGE RAD 87.5°, Ø75MM  
- Stainless steel: AISI316L/EN1.4404

## DATA

Type no.:	825.090.075 S	Type:	Bends
EAN no.:	5705499408850	Outlet dia. (mm):	75
VVS no.:		Angle (°):	87,5
RSK no.:		Weight (kg):	1,00
NRF no.:		Material:	AISI 316L
LVI no.:	0256016	Material:	EN 1.4404



## Approvals

Achilles - 25316-17

DK - VA 2.12/19349-16

MARINE - R4547 NATO CODIFICATION SYSTEM

NO - 0692-16

PL - Hygienic Certificate - All products

RINA - MAC128714XG EuroPipe

RS - 14.10112.262

RU - 1682258

SE - SITAC 4423/90-17