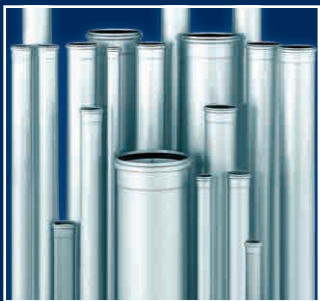


BLÜCHER®

North American catalog for DWV piping, drains and channels



BLÜCHER®

A **WATTS** Brand

K E E P I N G U P T H E F L O W

Effective June 1, 2016

STAINLESS STEEL DRAINAGE SYSTEMS

TABLE OF CONTENTS

Pipe 3

Pictorial Index	4-7
Technical Information	8-14
Pipe	15
Fittings	16-22
Marine Fittings	23-26
Pipe Accessories	27-30

Drain 31

Pictorial Index	32-35
Installation Examples	36
Washroom/Shower Drains	37-38
Adjustable Floor Drains	39-40
On-Grade Adjustable Floor Drains	41-42
Sanitary Floor Drains	43-46
Floor Drains w/Surface Membrane Clamp	47-48
Floor Drains w/Elastomeric Flange	49
HygienicPro® Floor Drains	50
Gastight Industrial Drains	51
Hub Drains/Trap Primer Adaptors	52
Floor Drain Accessories	53-55
Floor Cleanouts	56-57
Marine Drains	58-62

Channel 63

Pictorial Index	64
Installations Examples	65
Waterline Shower/Washroom Channels	66
Trench Drains	67-68
Trench Drain Gratings	69
Kitchen Channels	70-71

BLÜCHER Terms & Conditions

FREIGHT TERMS:

Shipments from the factory of less than \$5,000.00 net are F.O.B. factory. Factory shipments over \$5,000.00 net will be pre-paid and allowed within the continental United States when made at the lowest motor carrier transportation rate.

TERMS OF SALE:

All sales are F.O.B. shipping point.

PAYMENT TERMS:

Invoices are due and payable 30 days from the date of invoice. A 2% cash discount is allowed on net amount of invoice if paid on or before the 10th of the following month. Invoices dated on or after the 25th will be considered as dated the first of the next month.

PURCHASE ORDER FORMS:

Orders submitted on customer's own purchase order forms will be accepted only with the express understanding that no statements, clauses, or conditions contained in said order form will be binding on the seller if they in any way modify the seller's own terms and conditions of sales.

STOCKING WHOLESALE MINIMUM CHARGE:

A minimum billing charge of \$75.00 applies to shipments F.O.B. factory. Stocking Wholesaler Customers are encouraged to order sufficient material to avoid this charge which is necessitated by increased costs of processing small orders.

SPECIAL PRODUCTS:

Orders for special or modified products are non-cancelable and non-returnable.

LIMITED WARRANTY:

BLÜCHER (the "Company") warrants each product to be free from defects in material and workmanship under normal usage for a period of one year from the date of original shipment. In the event of such defects within the warranty period, the Company will, at its option, replace or recondition the product without charge.

THE WARRANTY SET FORTH HEREIN IS GIVEN EXPRESSLY AND IS THE ONLY WARRANTY GIVEN BY THE COMPANY WITH RESPECT TO THE PRODUCT. THE COMPANY MAKES NO OTHER WARRANTIES, EXPRESS OR IMPLIED. THE COMPANY HEREBY SPECIFICALLY DISCLAIMS ALL OTHER WARRANTIES, EXPRESS OR IMPLIED, INCLUDING BUT NOT LIMITED TO THE IMPLIED WARRANTIES OF MERCHANTABILITY AND FITNESS FOR A PARTICULAR PURPOSE.

The remedy described in the first paragraph of this warranty shall constitute the sole and exclusive remedy for breach of warranty, and the Company shall not be responsible for any incidental, special or consequential damages, including without limitation, lost profits or the cost of repairing or replacing other property which is damaged if this product does not work properly, other costs resulting from labor charges, delays, vandalism, negligence, fouling caused by foreign material, damage from adverse water conditions, chemical, or any other circumstances over which the Company has no control. This warranty shall be invalidated by any abuse, misuse, misapplication, improper installation or improper maintenance or alteration of the product.

Some States do not allow limitations on how long an implied warranty lasts, and some States do not allow the exclusion or limitation of incidental or consequential damages. Therefore the above limitations may not apply to you. This Limited Warranty gives you specific legal rights, and you may have other rights that vary from State to State. You should consult applicable state laws to determine your rights. SO FAR AS IS CONSISTENT WITH APPLICABLE STATE LAW, ANY IMPLIED WARRANTIES THAT MAY NOT BE DISCLAIMED, INCLUDING THE IMPLIED WARRANTIES OF MERCHANTABILITY AND FITNESS FOR A PARTICULAR PURPOSE, ARE LIMITED IN DURATION TO ONE YEAR FROM THE DATE OF ORIGINAL SHIPMENT.

RETURNED GOODS RESTOCKING CHARGE:

No material shall be returned without authorization. When credit is issued it will be at the price charged, or prevailing price if lower, less handling charges based on costs of reconditioning, boxing, etc. However, a minimum 25% handling charge will apply. A minimum handling charge of \$35.00 is applied whenever the 25% handling deduction does not total \$35.00. Products which are obsolete or made to special order are not returnable.

NOTE:

Prices and terms are subject to change without notice and supersede all previous quotations. **BLÜCHER** reserves the right to change or modify product design or construction without prior notice and without incurring any obligation to make such changes and modifications on products previously or subsequently sold. All dimensions shown in this catalog are subject to manufacturing tolerances.

See your **BLÜCHER** representative for any clarification.

Stainless steel DWV pipe and fittings for commercial, industrial, and marine applications



Specifically engineered for DWV systems
Labor saving push-fit connections
Hygienic, lightweight, fire resistant

Installation

- Above or below ground
- Gravity or vacuum applications
- High-temperature drainage

Specifications

- Stainless steel AISI 316L / EN 1.4404
- Metric Equivalent diameters 1-1/2"(40) to 10"(250)
- Stock Lengths 6'(150) to 10'(3000)
- Full range of fittings
- Shipped with push-fit seals

Approvals

BLÜCHER operates its own testing facilities and is in cooperation with N. American and international approval institutions. BLÜCHER has played an active role in the development of international standards for stainless steel piping systems.

BLÜCHER products are designed and tested in accordance with ASME A112.3.1 and carry Uniform Plumbing Code (UPC) listings with IAPMO and NSF International in N. America. In addition, BLÜCHER products are widely certified internationally and in local N. American jurisdictions.

Pictorial Index



Px-xxx-316
Straight Pipe
w/One Socket



Bx-15-316
15° Bend



Bx-30-316
30° Bend



Bx-45-316
45° 1/8 Bend



Bx-90-316
90° 1/4 Bend



Bx-90S-316
90° Sweep 1/4
Bend



Txxx-90-316
90° Tee



Cxxx-90-316
90° Double Tee



DTxxx-90-316
90° Double Offset
Tee



SSxxx-90-316
90° Sanitary Sweep



WB-xxx-90-316
45° Combination
Wye & 1/8 bend



Wxxx-45-316
45° Wye



DWxxx-45-316
45° Double Wye



OWxxx-45-316
45° Double Offset
Wye



AP-x-316
Straight Access
Pipe



AT-xxx-316
90° Access Tee

Pictorial Index



AB-x-316
90° Access Bend



DC-x-316
Double Coupling



DSC-x-316
Double Slip Coupling



ES-x-316
Expansion Socket



LES-x-316
Long Expansion Socket



EI-xxx-316
Eccentric Increaser



CI-xxx-316
Concentric Increaser



ER-xxx-316
Eccentric Reducer



FA-xxx-316
Female Adaptor



MA-xxx-316
Male Adaptor



CS/ESIA-xxx-316
Side Inlet Adaptor



821.xxx.xxxS
90° Long
Radius Bend

Marine



854.2/300.xxxS
DIN Socket
Flange Adaptor

Marine



854.2/310.xxxS
DIN Spigot
Flange Adaptor

Marine



854.025.xxxS
ANSI Socket
Flange Adaptor

Marine



854.035.xxxS
ANSI Spigot
Flange Adaptor

Marine

Pictorial Index

<p><i>Marine</i></p>  <p>855.090.xxxS Toilet Adaptor</p>	<p><i>Marine</i></p>  <p>866.025.xxx.10FS Bulkhead Penetration w/Welding Sleeve</p>	<p><i>Marine</i></p>  <p>866.032.050.055 Wash Basin Penetration w/Welding Sleeve</p>	<p><i>Marine</i></p>  <p>867.020.xxx.105 Toilet Penetration for Vacuum System w/Welding Sleeve</p>
<p><i>Marine</i></p>  <p>868.xxx.xxxFS Deck Penetration with Welding Flange</p>	<p><i>Marine</i></p>  <p>870.000.xxxFS Socket Deck Penetration</p>	<p><i>Marine</i></p>  <p>872.xxx.xxxS Deck Penetration with Welding Sleeve</p>	<p><i>Marine</i></p>  <p>878.xxx.xxxS Aluminum Deck Penetration w/Bi-Metal Welding Flange</p>
 <p>EPDM/FPM/NBR Sealing Rings</p>	 <p>BTC-xxx Transition Coupling</p>	 <p>PT-x-316 P-Trap</p>	 <p>PTC-xxx-316 P-Trap w/Coupling</p>
 <p>BT-x Bottle Trap</p>	 <p>TA-1-1/2x2-316 Tailpiece Adaptor</p>	 <p>JC-x Joint Clamp</p>	 <p>PH-x Pipe Hanger</p>

Pictorial Index



PH-2-x
2-Piece Pipe
Hanger



PHA-x
Adjustable Pipe
Hanger



SB-1
Sway Brace



PSP-x
Push-In Socket
Plug



CSP-x
Compression Socket
Plug



MPC-xxx
Manual Pipe
Cutter



EPC-2-6
Electric Pipe
Cutter



CO-1
Cutting Oil

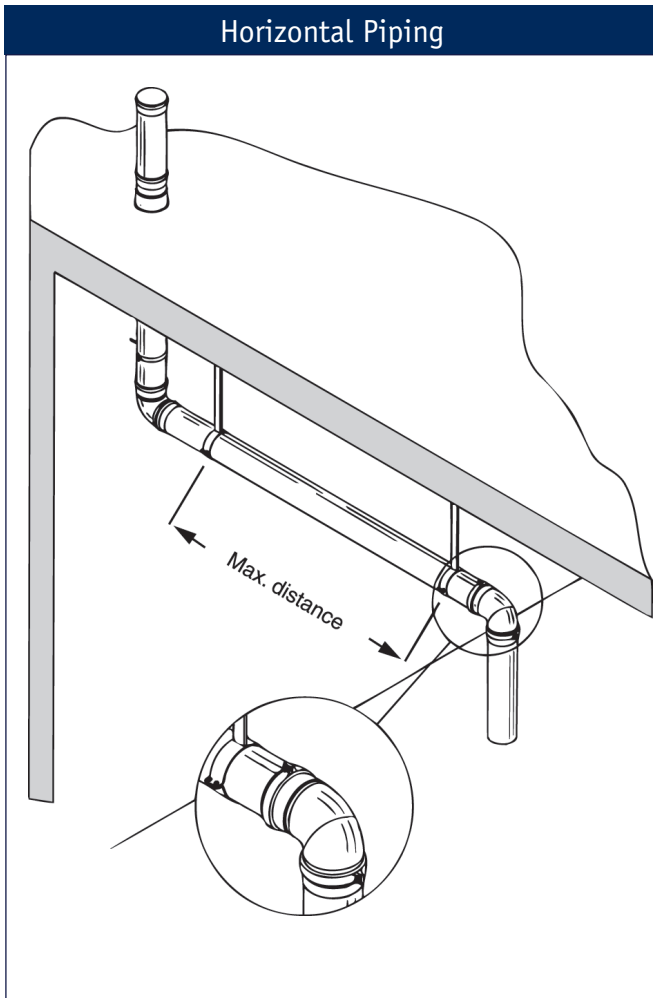


JL-1
Jointing Lubricant



DJ-1
Dimpling Tool

Above Ground Installation

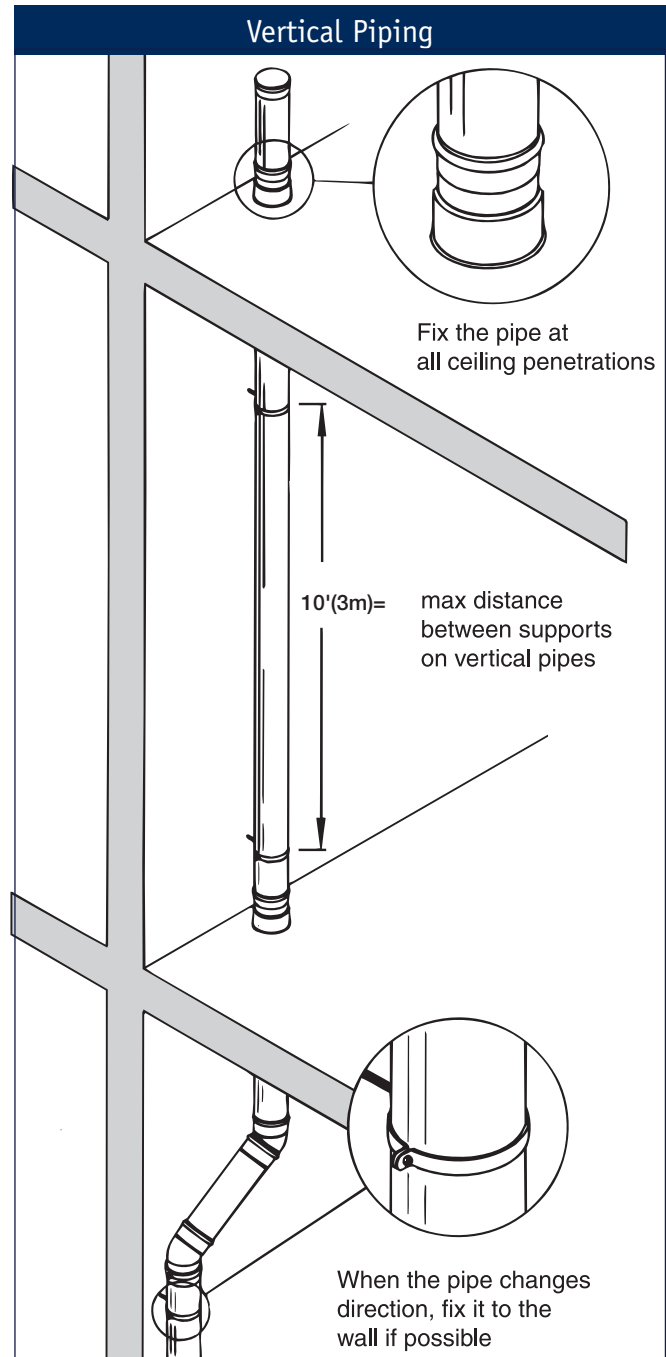


Maximum Distance

Dia	Distance Between Supports
2"	7' (2.2m)
3"	8' (2.5m)
4"	9' (2.8m)
5"	10' (3m)
6"	11' (3.3m)
8"	11' (3.3m)
10"	10' (3.0m)

Horizontal pipe runs are always to be installed with a gradient. If no self-cleansing calculation is available, a gradient of 1/8"/ft. is recommended in gravity systems. Horizontal pipe runs in vacuum systems are to be installed in accordance with the recommendations of the vacuum system supplier.

When connecting major branch lines, the pipe is to be fixed just below the branch line.



One fixing point per story is normally sufficient. Stainless steel piping requires only one pipe hanger per 10'(3m), resulting in labor savings and faster installation.

Consult BLÜCHER for additional Pipe technical or installation information

Below Ground Installation

RECOMMENDED MINIMUM SOIL COVERING

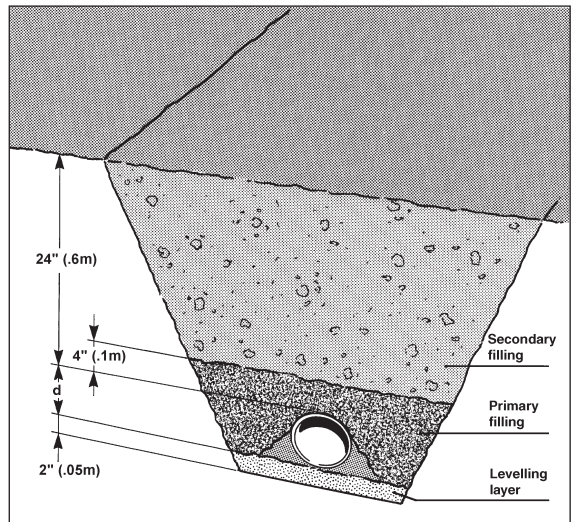
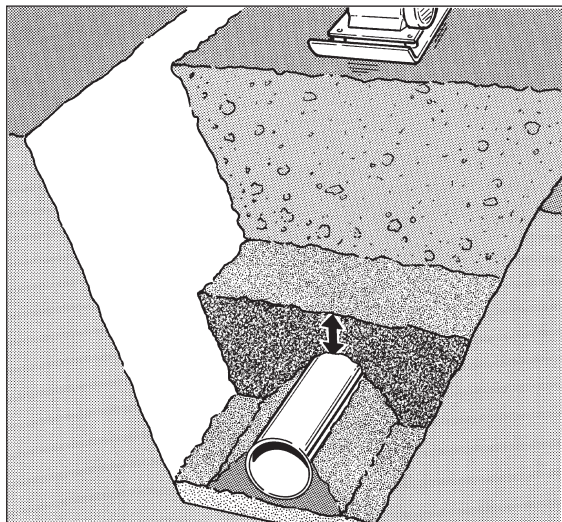
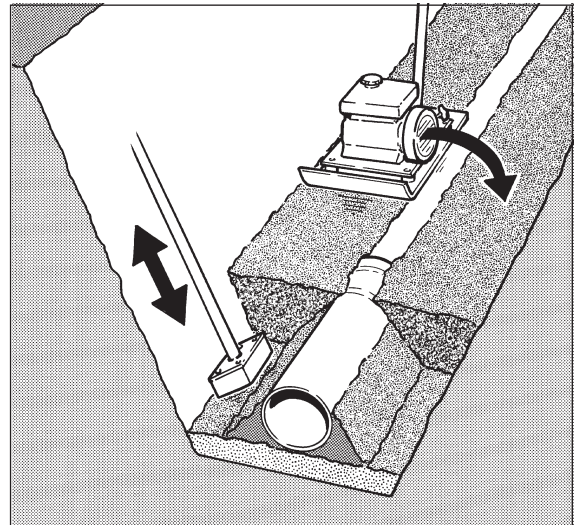
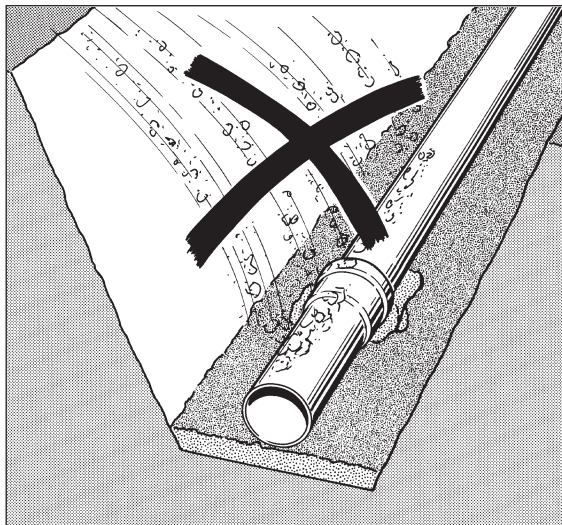
- pipe *below* water table (terrain = water table)
- soil compressed to 93% SP
- $\gamma\text{-}\gamma' = 8 \text{ kN/m}^3$

■ Filling around the pipe

All piping and joints should be properly inspected and tested prior to filling. Soil from the excavation can be used for filling, but larger stones and blocks which may damage the pipe should not be used. Avoid tipping the fill directly onto the pipe. The filling should be compressed to at least 93%.

Recommended Minimum Soil Covering

4" (110) Pipe		6" (160) Pipe		8" (200) Pipe		10" (250) Pipe	
Traffic		Traffic		Traffic		Traffic	
Normal	Heavy	Normal	Heavy	Normal	Heavy	Normal	Heavy
11" (.27m)	16" (.41m)	15" (.38m)	22" (.56m)	16" (.41m)	24" (.6m)	22" (.56m)	30" (.77m)



Material properties of stainless steel

What is stainless steel?

The designation stainless steel covers a wide range of alloys with different properties. One property common to all stainless steels is that they contain at least 12% chromium.

The stainless steels can be divided into three main groups and a few mixed types according to the structure of the steel:

- Austenitic stainless steel
- Ferritic stainless steel
- Martensitic stainless steel

Austenitic stainless steel is the most important, representing approx. 90% of total stainless steel consumption. Austenitic steel is also the only stainless steel suitable for drainage installations, and it is, of course, the type used by BLÜCHER.

Importance of alloying elements

Austenitic stainless steel contains at least 18% chromium and 8% nickel – thus the well-known designation »18/8« steel. Corrosion resistance generally increases with increasing content of chromium. In alloys with 12-13% chromium, the passive layer is strong enough to prevent the steel from corroding in normal or mildly aggressive media. The main effect of the alloying element nickel is on the structure of the steel and its mechanical properties. The steel's structure is austenitic with an adequate content of nickel. In contrast to the pure chromium steels (ferritic stainless steel), this results in significant changes in the mechanical properties, such as increased workability and ductility, better resistance to thermal stress and improved weldability. The austenitic structure also results in a change in the physical properties of the steel. For example, the steel is not magnetic and has higher thermal conductivity.

Material Specification

Material	AISI 316 L 1.4404	AISI 304 1.4301
Analysis		
Carbon (C %)	Max. 0.03	Max. 0.07
Chromium (Cr %)	16.5 - 18.5	17.0 - 19.0
Nickel (Ni %)	11.0 - 14.0	8.5 - 10.5
Molybdenum (Mo %)	2.0 - 2.5	-
Manganese (Mn %)	Max. 2.0	Max. 2.0
Silicium (Si %)	Max. 1.0	Max. 1.0
Sulphur (S %)	Max. 0.030	Max. 0.030

Physical Properties

Structure	Austenitic (nonmagnetic)	Austenitic (nonmagnetic)
State	Non-annealed	
Specific gravity (g/cm³)	7.98	7.9
Melting point (°C)	Ca. 1400	Ca. 1400
Decortication temperature in air (°C)	800 - 860	800 - 860
Expansion coefficient 20 - 100 °C (m/m · °C)	16.5 x 10 ⁻⁶	16.5 x 10 ⁻⁶
Specific resistance (20° C) (Ohm · mm²/m)	0.75	0.73
Heat conductivity (20° C) (W/°C-m)	15	15
Specific heat (J/g · k)	0.5	0.5

Mechanical Properties

Ultimate tensile strength (Rm) (N/mm²)	490 - 690	500 - 700
Yield point (Rp02) (N/mm²)	190	195
Modulus of elasticity (E) (20° C) (N/mm²)	2.0 x 10 ⁵	2.0 x 10 ⁵
Hardness Brinell (HB) (N/mm²)	120 - 180	130 - 180

Nickel also increases resistance to corrosion caused by certain media. Molybdenum has the same effect on the structure as chromium, but it also has a strongly positive influence on corrosion resistance. Molybdenum-containing steel is normally designated »acid-resistant« because of the resistance of these steels to certain types of acids. But acid-resistant stainless steel will also have limited resistance to some media such as chlorine-containing media (see table of resistance).

Why is steel "stainless"?

The addition of chromium to the steel results in the formation of a passivating oxide film with a high content of chromium oxides. This oxide film protects the surface of the steel against oxygen in air and water. An outstanding property of stainless steel is that the chromium oxide film automatically regenerates if the surface of the steel is exposed.

This restitution of the oxide film can only occur if the surface of the steel is completely clean and free of tempering agents and slag from welding processes and residues from tools made from ordinary carbon steel.

If this surface contamination is not removed, the steel may ultimately corrode. To prevent this, the steel surfaces should be cleaned after welding and processing, e.g. by means of so-called acid pickling of the stainless steel.

The pickling effectively removes all impurities from the surface of the steel and permits the reestablishment of a strong, uniform chromium oxide film. The pickling bath normally consists of 0.5-5% v/v HF (hydrofluoric acid) and 8-20% v/v HNO₃ (nitric acid) at a temperature of 25-60°C. This acid bath removes residues, the existing chromium oxide film and traces of iron, leaving the clean steel surface. The restitution of a strong chromium oxide film starts in the subsequent rinsing in water.

Material properties of joint sealing rings

Rubber types

International designation	EPDM	NBR	FPM
Rubber type	Ethylene propene	Nitrile	Fluorine (Viton)
Nominal hardness IRHD	60 (+/-5)	60 (+/-5)	60(+/-5)
Color	Black	Black/yellow dot	Purple
Tensile strength MPa	≥ 10 N/mm ²	≥ 10 N/mm ²	≥ 8 N/mm ²
Elongation after fracture %	≥ 300%	≥ 300%	≥ 260%
Max. temperature range	-35/+100° C	-30/+80° C	-25/+200° C

Resistance

Wearability	B	B	B
Resistance to mineral oil	D	A	A
Resistance to vegetable oil	B	A	A
Resistance to benzene/petrol	D	A	A
Resistance to aromatic compounds and hydrocarbons	D	B	A
Resistance to ketones	A	D	D
Resistance to ordinary diluted acids and alkalines	A	A	A
Resistance to ozone and weather stresses	A	C	A
Resistance to air diffusion	D	C	A

A = Very good service - B = Moderate service - C = Limited or variable service - D = Unsatisfactory

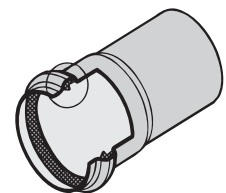
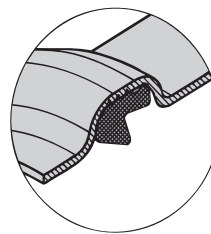
A joint sealing ring constitutes the seal between socket and spigot end. The joint sealing ring ensures quick and efficient jointing of the pipe system while providing a tight seal in case of both pressure and vacuum. BLÜCHER® sealing rings are available in three different rubber qualities.

EPDM This standard sealing ring is black and made from ethylene propene rubber. It is suitable for all rainwater and waste water installations which do not contain significant petroleum residues.

NBR This sealing ring is black with a yellow spot and made from nitrile rubber. NBR rings should be specified for installations where oil or petroleum products are present. NBR is not resistant to solvents, and should not be used where temperatures may exceed 80°C.

FPM

This sealing ring is green or purple, and made from fluorine rubber (Viton®). FPM sealing rings should be specified for high temperature applications. They are resistant to oil, solvents, and strong acids.



Chemical Resistance Table

The table is based on laboratory experiments with chemically pure sub-stances. The values should therefore be regarded as for guidance only.

	AISI 316 L Stainless	AISI 304 Stainless	EPDM	NBR	FPM
A = Very good service to operating limit of material					
B = Moderate service					
C = Limited or variable service					
D = Unsatisfactory					
Acetone	A	A	A	D	D
Acetic acid (dilute.) 30% or 50%	A	A	A	B	B
Acetic acid 100%	A	A	A	C	C
Acetic anhydride	A	A	B	C	D
Aluminium chloride	D	D	A	A	A
Aluminium sulfate	A	D	A	A	A
Ammonium carbonate	A	A	A	D	-
Ammonium chloride/salmiac	B	C	A	A	-
Ammonium hydroxide	A	A	A	D	B
Amyl chloride	A	A	-	-	-
Aniline	A	A	B	D	C
Anilin hydrochloride	D	D	B	B	B
Barium chloride	B	B	A	A	A
Barium hydroxide	A	A	A	A	A
Benzaldehyde	A	A	A	D	D
Benzene	A	A	D	D	A
Benzoic acid	A	A	-	-	A
Borax/sodium borat	A	A	A	B	A
Boric acid	A	A	A	A	A
Bromine	D	D	-	-	A
Bromine chloride	D	D	A	B	A
Bromoethylene/vinyl bromide	A	A	-	-	-
Butanol	A	A	D	A	A
Butyl acetat	A	A	B	-	D
Butyric acid	A	A	-	-	-
Calcium bisulfate	A	A	D	A	A
Calcium chloride	B	B	A	A	A
Calcium hydroxide	A	A	A	A	A
Calcium hypochlorite	B	C	A	C	A
Carbon disulfide	A	A	-	-	-
Carbon tetrachloride	A	A	D	C	A
Chloroacetic acid (Mono)	D	D	B	-	-
Chlorine (dry)	A	A	-	-	A
Chlorobenzene	A	A	D	D	A
Chlorosulfonic acid	B	C	D	D	C
Copper chloride	B	B	A	A	A
Copper nitrate	A	A	-	-	-
Copper sulfate	A	A	A	A	A
Ether	A	A	-	-	-
Ethyl chloride	A	A	A	A	A
Fatty acid	A	A	D	B	A
Fluorine (dry)	A	A	-	-	-
Hydrofluoric acid	D	D	B	D	A
Formaldehyde	A	A	A	B	A
Formic acid	A	A	A	B	C
Furfural	A	A	B	D	D
Gallic acid	A	A	B	B	A
Hydrobromic acid	D	D	A	D	A
Hydrochloric acid	D	D	A	D	A
Hydrogen peroxide	A	A	C	D	B
Iodine (wet)	D	D	-	-	-
Kloroform	B	B	D	D	A
Lead acetate	A	A	A	B	-
Magnesium chloride	B	B	A	A	A

VALUES TO BE REGARDED AS FOR GUIDANCE ONLY

	AISI 316 L Stainless	AISI 304 Stainless	EPDM	NBR	FPM
A = Very good service to operating limit of material					
B = Moderate service					
C = Limited or variable service					
D = Unsatisfactory					
Magnesium sulfate	A	A	A	A	A
Mercury	A	A	A	A	A
Methanol	A	A	A	A	C
Methyl chloride	A	A	C	D	A
Methylene chloride	B	B	D	D	B
Natphalene	A	A	D	D	A
Nickel chloride	B	B	A	A	A
Nickel sulfate	A	A	A	A	A
Nitric acid	C	C	C	D	A
Oxalic acid	C	C	A	B	A
Perchloric acid	D	D	B	-	A
Phosphoric acid	A	A	B	D	A
Picric acid	A	A	B	B	A
Potassium bromide	A	A	-	-	-
Potassium carbonate	A	A	-	-	-
Potassium chlorate	A	A	-	-	-
Potassium cyanide	A	A	A	A	A
Potassium hydroxide	A	A	A	B	B
Potassium nitrate	A	A	A	A	A
Potassium permanganate	A	A	-	-	-
Potassium sulfate	A	A	A	A	A
Potassium sulfide	A	A	-	-	-
Potassium chloride	B	B	A	A	A
Propylene dichloride	A	A	-	-	-
Silver nitrate	A	A	A	B	A
Soda (ash)/sodium	A	A	-	-	-
Sodium acetate	A	A	A	B	D
Sodium bicarbonate	A	A	A	A	A
Sodium bisulfate	A	C	-	-	-
Sodium bisulfite	A	A	A	A	A
Sodium bromide	B	B	-	-	-
Sodium chlorate	A	A	-	-	-
Sodium chloride	D	D	-	-	-
Sodium cyanide	A	A	A	A	A
Sodium fluoride	A	A	-	-	-
Sodium hydroxide	A	A	A	B	B
Sodium hypochlorite	D	D	B	B	A
Sodium nitrate	A	A	A	B	-
Sodium sulfate	A	A	A	A	A
Sodium sulfide	A	A	-	-	-
Sodium sulfite	A	A	-	-	-
Stannous chloride/tin chloride	B	C	B	A	A
Sulfur	A	A	A	D	A
Sulfur chloride	A	A	D	C	A
Sulfur dioxide	A	B	A	D	A
Sulfuric acid	D	D	B	D	A
Sulfurous acid	A	C	B	B	A
Thionyl chloride	A	A	D	-	A
Toluene/toluol	A	A	D	D	A
Trichloroethylene	A	A	D	C	A
Turpentine	A	A	D	A	A
Xylene/xylol	A	A	-	-	-
Zinc sulfate	A	A	-	-	-

VALUES TO BE REGARDED AS FOR GUIDANCE ONLY

Assumptions: 20°C room temperature

References

Corrosion Data Survey, 1969 Edition, Nace
 Corrosion Tables, Stainless Steels, 1979, Jernkontoret
 Chemical Resistance of Plastic Piping Materials, Cabot Corporation, 1979

PLEASE NOTE!

Concentration level, length of exposure, temperature and in particular the combination of several chemicals have a direct influence on the resistance of stainless steel to certain chemicals. Each application should therefore be carefully reviewed to determine the suitability of stainless steel.

In particular, be careful with the use of hydrous cleaning agents containing compounds of chlorine.

Joint Fixing & Pressure Ratings

Precautions should be taken to ensure BLÜCHER push-fit joints do not separate during testing or actual use. Uncaptured joints must be secured to the building, or secured with Joint Clamps (fig. 1).

Projections can be added to the spigot end of the pipe with a Pipe Dimpling Tool to increase the pressure rating of the system (fig. 2). Consult BLÜCHER Technical for applications with anticipated pressures beyond those listed below.

with Pipe Hangers	
Pipe Size	Max. Pressure
1.5"(40)	7 psi (.5 bar)
2"(50)	7 psi (.5 bar)
3"(75)	7 psi (.5 bar)
4"(110)	7 psi (.5 bar)
6"(160)	7 psi (.5 bar)
8"(200)	7 psi (.5 bar)
10"(250)	7 psi (.5 bar)

with Joint Clamp	
Pipe Size	Max. Pressure
1.5"(40)	30 psi (2 bar)
2"(50)	30 psi (2 bar)
3"(75)	30 psi (2 bar)
4"(110)	30 psi (2 bar)
6"(160)	15 psi (1 bar)
8"(200)	7 psi (.5 bar)
10"(250)	3 psi (.2 bar)

with Joint Clamp & Projections		
Pipe Size	Max. Pressure	Projections
1.5"(40)	44 psi (3 bar)	2
2"(50)	44 psi (3 bar)	2
3"(75)	44 psi (3 bar)	6
4"(110)	44 psi (3 bar)	8
6"(160)	44 psi (3 bar)	16
8"(200)	44 psi (3 bar)	16
10"(250)	36 psi (2.5 bar)	16

Vacuum	
Pipe Size	Max. Pressure
1.5"(40)	-12.3 psi (-.85 bar)
2"(50)	-12.3 psi (-.85 bar)
3"(75)	-12.3 psi (-.85 bar)
4"(110)	-8.7 psi (-.6 bar)
6"(160)	-8.7 psi (-.6 bar)
8"(200)	-8.7 psi (-.6 bar)
10"(250)	-

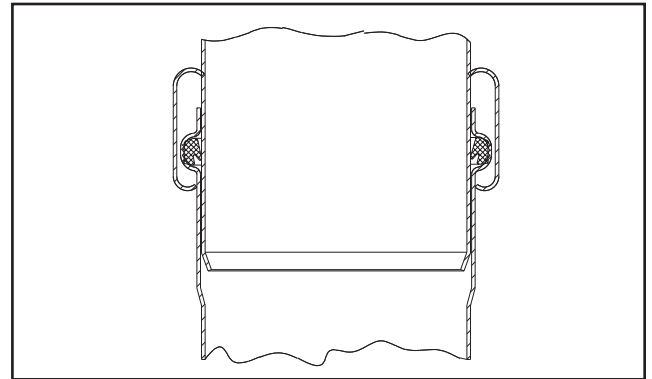


Fig. 1. Joint clamp installation

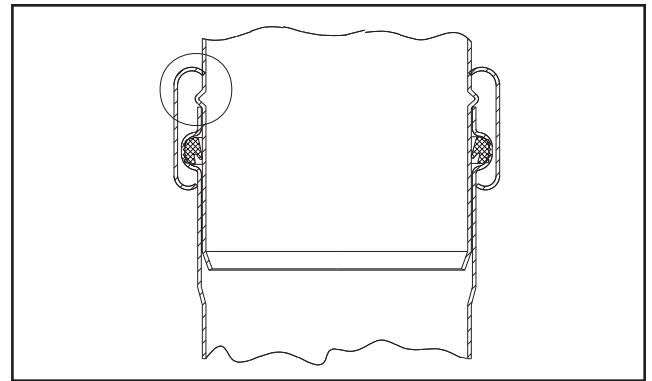


Fig. 2. Joint clamp with projections

Pipe cutting and jointing

Cutting

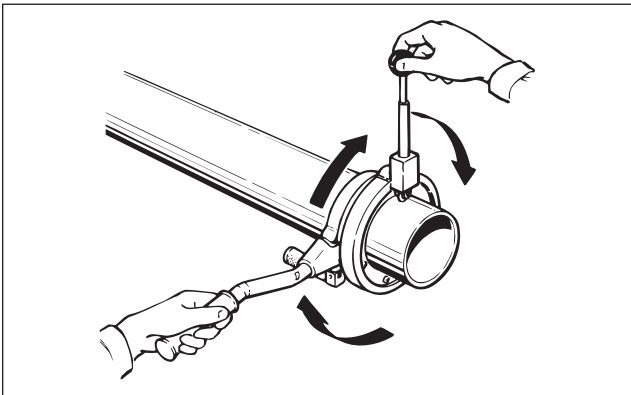
BLÜCHER manual or electric pipe cutters should be used for projects requiring a significant amount of cutting. Pipe cut with a BLÜCHER cutter can be installed without subsequent finishing.

For small requirements, BLÜCHER pipe can be cut with a standard pipe cutter, equipped with a cutting wheel or blade for stainless steel. All cuts should be deburred, and filed to create a slight bevel for insertion into the gasketed socket.

Jointing

Prior to assembly, make sure both pipe ends are clean, and the gasket is properly positioned in the socket. Spray on small amount of BLÜCHER Jointing Lubricant on the gasket side. With a slight twisting movement, push the pipes together.

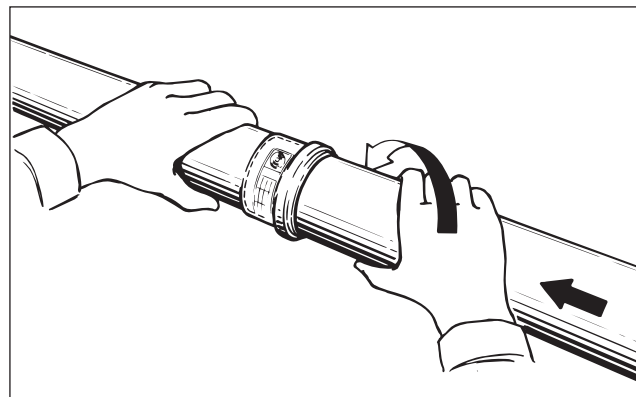
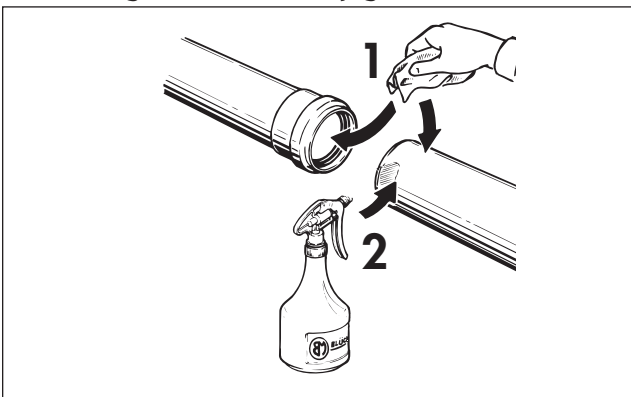
Manual pipe cutter



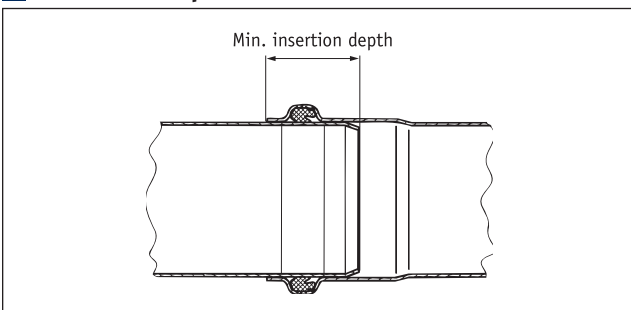
Electric pipe cutter



Jointing of socket and spigot end



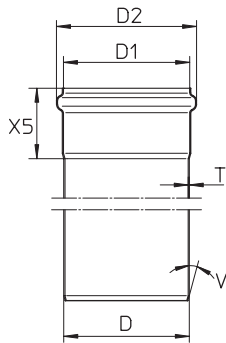
Insertion depth



Pipe Size	Max. Insertion Depth	Min. Insertion Depth
1.5"(40)	1-7/8"(47)	1-3/16"(30)
2"(50)	1-7/8"(47)	1-3/16"(30)
3"(75)	2-3/16"(55)	1-3/8"(35)
4"(110)	2-7/16"(62)	1-9/16"(40)
6"(160)	3"(76)	2"(50)
8"(200)	3-7/8"(98)	2-1/2"(63)
10"(250)	4-9/16"(116)	2-3/4"(70)

Stainless Steel Pipe

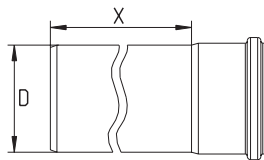
Pipe Dimensions



Dimensional Chart

Pipe Size <i>D</i>	<i>D1</i>	<i>D2</i>	<i>X5</i>	<i>T</i>	<i>V</i>
1.5"(40)	5/8"(41)	2"(52)	5/8"(41)	18 ga.(1.25)	20 deg.
2"(50)	2-1/16"(51)	2-3/8"(61)	1-7/8"(47)	20 ga.(1)	20 deg.
3"(75)	3"(76)	3-7/16"(87)	2-3/16"(55)	20 ga.(1)	20 deg.
4"(110)	4-3/8"(111)	4-13/16"(123)	2-7/16"(62)	20 ga.(1)	20 deg.
6"(160)	6-5/16"(161)	7"(177)	3-1/16"(78)	18 ga.(1.25)	20 deg.
8"(200)	7-15/16"(201)	8-5/8"(219)	3-7/8"(98)	16 ga.(1.5)	20 deg.
10"(250)	9-7/8"(251)	10-15/16"(277)	4-5/8"(116)	16 ga.(1.5)	20 deg.

Straight Pipe with One Socket



Dimensional Chart

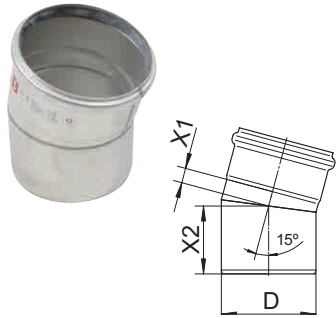
1-1/2" (40)	Pipe Global Part #	<i>D</i>	<i>X</i> Length	Weight Lbs.	List Price
P1.5-0.5-316	811.015.040S	1.5"(40)	5-7/8"(150)	0.4(0.2)	\$32.00
P1.5-0.8-316	811.025.040S	1.5"(40)	9-13-16"(250)	0.7(0.3)	\$43.00
P1.5-1.6-316	811.050.040S	1.5"(40)	1'-7-11/16"(500)	1.4(0.6)	\$67.00
P1.5-2.5-316	811.075.040S	1.5"(40)	2'-5-1/2"(750)	1.8(0.8)	\$87.00
P1.5-3.3-316	811.100.040S	1.5"(40)	3'-3-3/8"(1000)	2.2(1.0)	\$107.00
P1.5-4.9-316	811.150.040S	1.5"(40)	4'-11-1/8"(1500)	3.3(1.5)	\$151.00
P1.5-6.6-316	811.200.040S	1.5"(40)	6'-6-11/16"(2000)	4.4(2.0)	\$191.00
P1.5-9.8-316	811.300.040S	1.5"(40)	9'-10-1/8"(3000)	6.6(3.0)	\$277.00
2" (50)	Pipe Global Part #	<i>D</i>	<i>X</i> Length	Weight Lbs.	List Price
P2-0.5-316	811.015.050S	2"(50)	5-7/8"(150)	0.7(0.3)	\$35.00
P2-0.8-316	811.025.050S	2"(50)	9-13-16"(250)	0.9(0.4)	\$46.00
P2-1.6-316	811.050.050S	2"(50)	1'-7-11/16"(500)	1.5(0.7)	\$70.00
P2-2.5-316	811.075.050S	2"(50)	2'-5-1/2"(750)	2.2(1.0)	\$100.00
P2-3.3-316	811.100.050S	2"(50)	3'-3-3/8"(1000)	2.9(1.3)	\$125.00
P2-4.9-316	811.150.050S	2"(50)	4'-11-1/8"(1500)	4.2(1.9)	\$179.00
P2-6.6-316	811.200.050S	2"(50)	6'-6-11/16"(2000)	5.5(2.5)	\$229.00
P2-9.8-316	811.300.050S	2"(50)	9'-10-1/8"(3000)	8.4(3.8)	\$308.00
3" (75)	Pipe Global Part #	<i>D</i>	<i>X</i> Length	Weight Lbs.	List Price
P3-0.5-316	811.015.075S	3"(75)	5-7/8"(150)	0.9(0.4)	\$39.00
P3-0.8-316	811.025.075S	3"(75)	9-13-16"(250)	1.3(0.6)	\$50.00
P3-1.6-316	811.050.075S	3"(75)	1'-7-11/16"(500)	2.2(1.0)	\$79.00
P3-2.5-316	811.075.075S	3"(75)	2'-5-1/2"(750)	3.3(1.5)	\$112.00
P3-3.3-316	811.100.075S	3"(75)	3'-3-3/8"(1000)	4.4(2.0)	\$140.00
P3-4.9-316	811.150.075S	3"(75)	4'-11-1/8"(1500)	6.2(2.8)	\$201.00
P3-6.6-316	811.200.075S	3"(75)	6'-6-11/16"(2000)	8.2(3.7)	\$257.00
P3-9.8-316	811.300.075S	3"(75)	9'-10-1/8"(3000)	12.8(5.8)	\$345.00

Dimensional Chart

4" (110)	Pipe Global Part #	<i>D</i>	<i>X</i> Length	Weight Lbs.	List Price
P4-0.5-316	811.015.110S	4"(110)	5-7/8"(150)	1.3(0.6)	\$45.00
P4-0.8-316	811.025.110S	4"(110)	9-13-16"(250)	2.0(0.9)	\$59.00
P4-1.6-316	811.050.110S	4"(110)	1'-7-11/16"(500)	3.3(1.5)	\$111.00
P4-2.5-316	811.075.110S	4"(110)	2'-5-1/2"(750)	4.9(2.2)	\$144.00
P4-3.3-316	811.100.110S	4"(110)	3'-3-3/8"(1000)	6.4(2.9)	\$179.00
P4-4.9-316	811.150.110S	4"(110)	4'-11-1/8"(1500)	9.5(4.3)	\$259.00
P4-6.6-316	811.200.110S	4"(110)	6'-6-11/16"(2000)	11.9(5.4)	\$339.00
P4-9.8-316	811.300.110S	4"(110)	9'-10-1/8"(3000)	18.3(8.3)	\$454.00
6" (160)	Pipe Global Part #	<i>D</i>	<i>X</i> Length	Weight Lbs.	List Price
P6-0.5-316	811.015.160S	6"(160)	5-7/8"(150)	2.7(1.2)	\$94.00
P6-0.8-316	811.025.160S	6"(160)	9-13-16"(250)	3.8(1.7)	\$108.00
P6-1.6-316	811.050.160S	6"(160)	1'-7-11/16"(500)	6.6(3.0)	\$178.00
P6-2.5-316	811.075.160S	6"(160)	2'-5-1/2"(750)	9.3(4.2)	\$271.00
P6-3.3-316	811.100.160S	6"(160)	3'-3-3/8"(1000)	12.1(5.5)	\$338.00
P6-4.9-316	811.150.160S	6"(160)	4'-11-1/8"(1500)	17.6(8.0)	\$423.00
P6-6.6-316	811.200.160S	6"(160)	6'-6-11/16"(2000)	23.2(10.5)	\$549.00
P6-9.8-316	811.300.160S	6"(160)	9'-10-1/8"(3000)	34.4(15.6)	\$819.00
8" (200)	Pipe Global Part #	<i>D</i>	<i>X</i> Length	Weight Lbs.	List Price
P8-0.5-316	811.015.200S	8"(200)	5-7/8"(150)	4.4(2.0)	\$180.00
P8-0.8-316	811.025.200S	8"(200)	9-13-16"(250)	6.2(2.8)	\$214.00
P8-1.6-316	811.050.200S	8"(200)	1'-7-11/16"(500)	10.1(4.6)	\$356.00
P8-2.5-316	811.075.200S	8"(200)	2'-5-1/2"(750)	14.3(6.5)	\$463.00
P8-3.3-316	811.100.200S	8"(200)	3'-3-3/8"(1000)	18.3(8.3)	\$578.00
P8-4.9-316	811.150.200S	8"(200)	4'-11-1/8"(1500)	34.6(15.7)	\$779.00
P8-6.6-316	811.200.200S	8"(200)	6'-6-11/16"(2000)	50.9(23.1)	\$1131.00
10" (250)	Pipe Global Part #	<i>D</i>	<i>X</i> Length	Weight Lbs.	List Price
P10-1.6-316	811.050.250S	10"(250)	1'-7-11/16"(500)	12.8(5.8)	\$550.00
P10-3.3-316	811.100.250S	10"(250)	3'-3-3/8"(1000)	23.2(10.5)	\$850.00
P10-6.6-316	811.200.250S	10"(250)	6'-6-11/16"(2000)	43.4(19.7)	\$1417.00
P10-9.8-316	811.300.250S	10"(250)	9'-10-1/8"(3000)	63.9(29.0)	\$2017.00

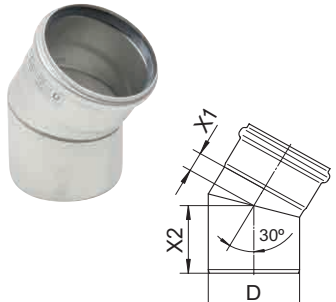
Bends

15° Bend Dimensional Chart



Model No.	Global Part #	D	X1	X2	List Price
B1.5-15-316	820.015.040S	1.5"(40)	5/8"(15)	2-1/16"(53)	\$36.00
B2-15-316	820.015.050S	2"(50)	5/16"(7)	2-3/16"(54)	\$40.00
B3-15-316	820.015.075S	3"(75)	7/16"(11)	2-5/8"(66)	\$44.00
B4-15-316	820.015.110S	4"(110)	11/16"(16)	3-1/8"(78)	\$61.00
B6-15-316	820.015.160S	6"(160)	15/16"(23)	3-15/16"(99)	\$194.00
B8-15-316	820.015.200S	8"(200)	15/16"(23)	4-7/8"(123)	\$277.00
B10-15-316	820.015.250S	10"(250)	1-3/16"(30)	5-3/8"(136)	\$485.00

30° Bend Dimensional Chart



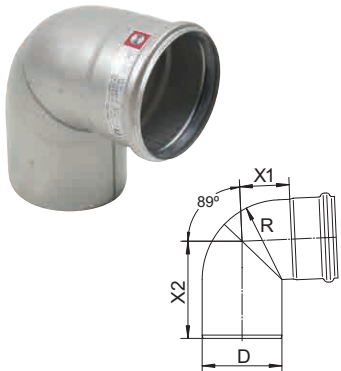
Model No.	Global Part #	D	X1	X2	List Price
B1.5-30-316	820.030.040S	1.5"(40)	11/16"(18)	2-3/16"(55)	\$36.00
B2-30-316	820.030.050S	2"(50)	7/16"(11)	2-1/4"(57)	\$41.00
B3-30-316	820.030.075S	3"(75)	11/16"(16)	2-13/16"(71)	\$46.00
B4-30-316	820.030.110S	4"(110)	15/16"(23)	3-3/8"(85)	\$61.00
B6-30-316	820.030.160S	6"(160)	1-3/8"(34)	4-3/8"(110)	\$194.00
B8-30-316	820.030.200S	8"(200)	1-1/2"(37)	5-7/16"(137)	\$297.00
B10-30-316	820.030.250S	10"(250)	1-15/16"(48)	6-1/16"(153)	\$563.00

45° 1/8 Bend Dimensional Chart



Model No.	Global Part #	D	X1	X2	R	List Price
B1.5-45-316	820.045.040S	1.5"(40)	13/16"(21)	2-1/4"(58)	1.5"(40)	\$46.00
B2-45-316	820.045.050S	2"(50)	7/8"(21)	2-3/8"(60)	2"(50)	\$52.00
B3-45-316	820.045.075S	3"(75)	1-1/8"(28)	3"(76)	3"(75)	\$59.00
B4-45-316	820.045.110S	4"(110)	1-1/2"(38)	3-11/16"(93)	4"(110)	\$77.00
B6-45-316	820.045.160S	6"(160)	1-15/16"(49)	5-3/16"(131)	6"(150)	\$207.00
B8-45-316	825.045.200S	8"(200)	5-3/8"(136)	9-3/16"(234)	8"(200)	\$645.00
B10-45-316	825.045.250S	10"(250)	6-15/16"(176)	11"(280)	10"(250)	\$1434.00

90° 1/4 Bend Dimensional Chart



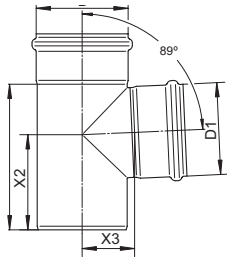
Model No.	Global Part #	D	X1	X2	R	List Price
B1.5-90-316	820.090.040S	1.5"(40)	1-1/4"(32)	3-1/8"(79)	1.5"(40)	\$66.00
B2-90-316	820.090.050S	2"(50)	1-7/16"(35)	3-7/16"(86)	2"(50)	\$73.00
B3-90-316	820.090.075S	3"(75)	1-15/16"(48)	4-1/4"(107)	3"(75)	\$79.00
B4-90-316	820.090.110S	4"(110)	2-11/16"(68)	5-5/16"(134)	4"(110)	\$103.00
B6-90-316	820.090.160S	6"(160)	3-15/16"(99)	7-1/8"(181)	6"(150)	\$207.00
B8-90-316	825.090.200S	8"(200)	11-3/4"(299)	15-5/8"(397)	8"(200)	\$1003.00
B10-90-316	825.090.250S	10"(250)	15"(350)	19-1/16"(484)	10"(250)	\$2316.00

90° Degree Sweep 1/4 Bend Dimensional Chart



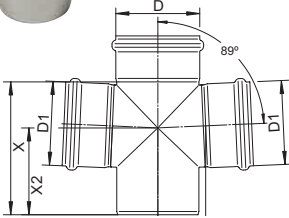
Model No.	Global Part #	D	X1	X2	R	List Price
B2-90S-316	825.090.050S	2"(50)	3"(77)	4-15/16"(125)	3-13/16"(97)	\$77.00
B3-90S-316	825.090.075S	3"(75)	4-1/8"(105)	6-1/8"(155)	5-1/4"(133)	\$130.00
B4-90S-316	825.090.110S	4"(110)	6-5/16"(160)	8-3/4"(222)	8-1/4"(209)	\$156.00
B6-90S-316	825.090.160S	6"(160)	9-3/4"(247)	12-11/16"(322)	12-5/16"(313)	\$394.00

Tees



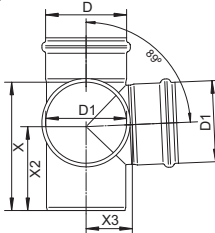
90° Tee Dimensional Chart

Model No.	Global Part #	D	D1	X	X2	X3	List Price
T1.5x1.5-90-316	830.040.040S	1.5"(40)	1.5"(40)	4"(101)	2-3/4"(69)	1-3/16"(30)	\$66.00
T2x1.5-90-316	830.040.050S	2"(50)	1.5"(40)	4-3/16"(106)	2-13/16"(71)	1-3/8"(35)	\$71.00
T2x2-90-316	830.050.050S	2"(50)	2"(50)	4"(101)	2-13/16"(71)	1-1/4"(31)	\$76.00
T3x2-90-316	830.050.075S	3"(75)	2"(50)	5-5/16"(134)	3-7/8"(98)	1-3/4"(44)	\$89.00
T4x2-90-316	830.050.110S	4"(110)	2"(50)	5"(127)	3-11/16"(93)	2-7/16"(61)	\$108.00
T3x3-90-316	830.075.075S	3"(75)	3"(75)	5-5/16"(134)	3-9/16"(90)	1-7/8"(47)	\$89.00
T4x3-90-316	830.075.110S	4"(110)	3"(75)	5-13/16"(147)	4-1/8"(104)	2-9/16"(65)	\$95.00
T4x4-90-316	830.110.110S	4"(110)	4"(110)	7"(178)	4-5/8"(117)	2-9/16"(64)	\$117.00
T6x4-90-316	830.110.160S	6"(160)	4"(110)	9-1/16"(230)	6"(152)	3-1/2"(88)	\$263.00
T6x6-90-316	830.160.160S	6"(160)	6"(160)	11-1/8"(282)	7-1/4"(184)	3-7/8"(98)	\$283.00
T8x6-90-316	830.160.200S	8"(200)	6"(160)	11-1/4"(285)	7-5/16"(186)	4-5/8"(116)	\$393.00
T8x8-90-316	830.200.200S	8"(200)	8"(200)	12-13/16"(325)	8-1/8"(206)	4-3/4"(120)	\$437.00
T10x8-90-316	830.200.250S	10"(250)	8"(200)	13-9/16"(344)	8-11/16"(220)	5-13/16"(147)	\$687.00
T10x10-90-316	830.250.250S	10"(250)	10"(250)	15-11/16"(399)	9-5/8"(245)	5-11/16"(144)	\$818.00



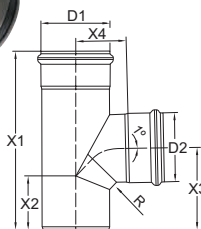
90° Double Tee (Cross) Dimensional Chart

Model No.	Global Part #	D	D1	X	X2	X3	List Price
C2x2-90-316	831.050.050	2"(50)	2"(50)	4"(101)	2-13/16"(71)	1-1/4"(31)	\$211.00
C3x2-90-316	831.050.075	3"(75)	2"(50)	5-5/16"(134)	3-7/8"(98)	1-3/4"(44)	\$236.00
C4x2-90-316	831.050.110	4"(110)	2"(50)	5"(127)	3-11/16"(93)	2-7/16"(61)	\$284.00
C3x3-90-316	831.075.075	3"(75)	3"(75)	5-5/16"(134)	3-9/16"(90)	1-7/8"(47)	\$241.00
C4x3-90-316	831.075.110	4"(110)	3"(75)	5-13/16"(147)	4-1/8"(104)	2-9/16"(64)	\$290.00
C4x4-90-316	831.110.110	4"(110)	4"(110)	7"(178)	4-5/8"(117)	2-9/16"(64)	\$310.00
C6x4-90-316	831.110.160	6"(160)	4"(110)	9-1/16"(230)	6"(152)	3-1/2"(88)	\$396.00
C6x6-90-316	831.160.160	6"(160)	6"(160)	11-1/8"(282)	7-1/4"(184)	3-7/8"(98)	\$510.00



90° Double Tee (90° Offset) Dimensional Chart

Model No.	Global Part #	D	D1	X	X2	X3	List Price
DT2x2-90-316	832.050.050S	2"(50)	2"(50)	4"(101)	2-13/16"(71)	1-1/4"(31)	\$228.00
DT3x2-90-316	832.050.075S	3"(75)	2"(50)	5-5/16"(134)	3-7/8"(98)	1-3/4"(44)	\$317.00
DT4x2-90-316	832.050.110S	4"(110)	2"(50)	5"(127)	3-11/16"(93)	2-7/16"(61)	\$379.00
DT3x3-90-316	832.075.075S	3"(75)	3"(75)	5-5/16"(134)	3-9/16"(90)	1-7/8"(47)	\$318.00
DT4x3-90-316	832.075.110S	4"(110)	3"(75)	5-13/16"(147)	4-1/8"(104)	2-9/16"(64)	\$383.00
DT4x4-90-316	832.110.110S	4"(110)	4"(110)	7"(178)	4-5/8"(117)	2-9/16"(64)	\$451.00
DT6x4-90-316	832.110.160S	6"(160)	4"(110)	9-1/16"(230)	6"(152)	3-1/2"(88)	\$359.00
DT6x6-90-316	832.160.160S	6"(160)	6"(160)	11-1/8"(282)	7-1/4"(184)	3-7/8"(98)	\$490.00

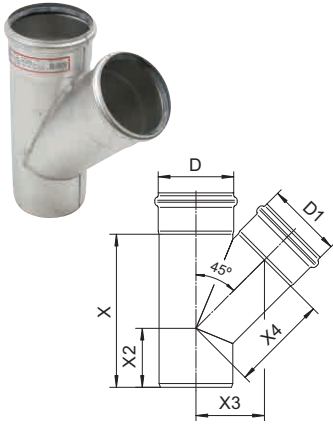


90° Degree Sanitary Sweep Tee Dimensional Chart

Model No.	Global Part #	D	D1	X1	X2	X3	X4	List Price
SS2x2-90-316	848.050.050S	2"(50)	2"(50)	6-11/16"(170)	2-3/8"(60)	3-3/16"(81)	1-13/16"(46)	\$261.00
SS3x2-90-316	848.050.075S	3"(75)	2"(50)	7-7/8"(199)	2-1/4"(57)	3-11/16"(94)	2-7/16"(62)	\$313.00
SS4x2-90-316	848.050.110S	4"(110)	2"(50)	8-1/4"(209)	1-13/16"(47)	4-1/16"(103)	3-1/8"(80)	\$380.00
SS3x3-90-316	848.075.075S	3"(75)	3"(75)	9"(229)	2-15/16"(75)	5"(127)	3-3/8"(86)	\$313.00
SS4x3-90-316	848.075.110S	4"(110)	3"(75)	9-3/8"(239)	2-1/4"(58)	4-1/2"(115)	3-3/8"(86)	\$380.00
SS4x4-90-316	848.110.110S	4"(110)	4"(110)	11-7/16"(290)	3-1/2"(88)	5-7/16"(138)	3-3/8"(86)	\$358.00
SS6x4-90-316	848.110.160S	6"(160)	4"(110)	12-1/16"(306)	3-5/16"(84)	6-7/16"(164)	4-1/2"(115)	\$509.00
SS6x6-90-316	848.160.160S	6"(160)	6"(160)	14-5/16"(363)	4-1/2"(115)	7-1/4"(184)	4-13/16"(122)	\$614.00

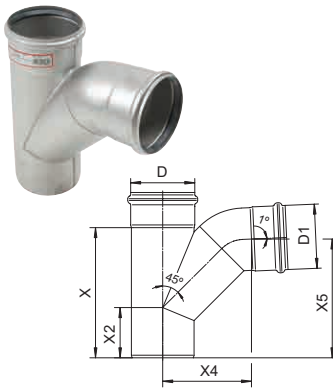
Stainless Steel Fittings

Wyes



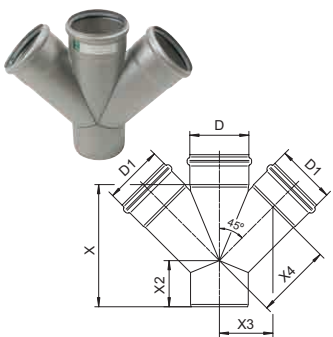
45° Wye Dimensional Chart

Model No.	Global Part #	D	D1	X	X2	X3	X4	List Price
W1.5x1.5-45-316	838.040.040S	1.5"(40)	1.5"(40)	4-5/8"(118)	2-1/4"(57)	2-1/2"(63)	1-3/4"(45)	\$92.00
W2x1.5-45-316	838.040.050S	2"(50)	1.5"(40)	4-11/16"(119)	2-3/16"(55)	2-13/16"(71)	2"(50)	\$99.00
W2x2-45-316	838.050.050S	2"(50)	2"(50)	4-7/8"(123)	2-1/4"(57)	2-13/16"(71)	2"(50)	\$113.00
W3x2-45-316	838.050.075S	3"(75)	2"(50)	5-1/2"(139)	2-1/4"(57)	3-9/16"(89)	2-1/2"(63)	\$135.00
W4x2-45-316	838.050.110S	4"(110)	2"(50)	5-5/8"(142)	1-11/16"(42)	4-1/2"(114)	3-1/4"(81)	\$165.00
W3x3-45-316	838.075.075S	3"(75)	3"(75)	6-7/8"(174)	2-15/16"(74)	4-3/16"(105)	2-15/16"(74)	\$129.00
W4x3-45-316	838.075.110S	4"(110)	3"(75)	7"(177)	2-3/8"(60)	5-1/8"(130)	3-5/8"(92)	\$148.00
W4x4-45-316	838.110.110S	4"(110)	4"(110)	9"(228)	3-1/2"(88)	5-11/16"(144)	4-1/16"(102)	\$160.00
W6x4-45-316	838.110.160S	6"(160)	4"(110)	9-15/16"(252)	3-3/16"(80)	7-1/16"(180)	5-1/16"(128)	\$328.00
W6x6-45-316	838.160.160S	6"(160)	6"(160)	12-11/16"(322)	4-9/16"(115)	8-1/2"(216)	6"(151)	\$328.00
W8x6-45-316	838.160.200S	8"(200)	6"(160)	13-13/16"(351)	4-7/8"(123)	9-1/2"(242)	6-3/4"(172)	\$720.00
W8x8-45-316	838.200.200S	8"(200)	8"(200)	16"(407)	6"(151)	10-1/2"(266)	7-7/16"(189)	\$720.00
W10x8-45-316	838.200.250S	10"(250)	8"(200)	16-11/16"(424)	5-9/16"(141)	11-3/4"(299)	8-3/8"(212)	\$921.00
W10x10-45-316	838.250.250S	10"(250)	10"(250)	19-13/16"(504)	7"(177)	12-13/16"(326)	13"(330)	\$1127.00



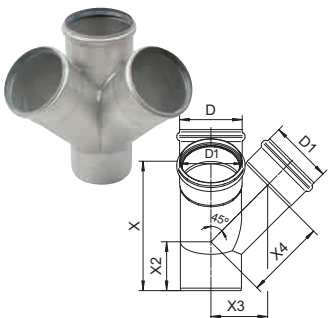
45° Combination Wye & 1/8 Bend Dimensional Chart

Model No.	Global Part #	D	D1	X	X2	X4	X5	List Price
WB-2x2-90-316	839.050.050S	2"(50)	2"(50)	4-7/8"(123)	2-1/4"(57)	3-3/16"(80)	4-13/16"(121)	\$156.00
WB-3x2-90-316	839.050.075S	3"(75)	2"(50)	5-1/2"(139)	2-1/4"(57)	3-5/8"(92)	5-1/16"(128)	\$178.00
WB-4x2-90-316	839.050.110S	4"(110)	2"(50)	5-5/8"(142)	1-11/16"(42)	4-3/8"(110)	5-1/4"(132)	\$208.00
WB-3x3-90-316	839.075.075S	3"(75)	3"(75)	6-7/8"(174)	2-15/16"(74)	4-5/16"(108)	6-5/16"(160)	\$178.00
WB-4x3-90-316	839.075.110S	4"(110)	3"(75)	7"(178)	2-3/8"(60)	4-15/16"(125)	6-5/16"(160)	\$197.00
WB-4x4-90-316	839.110.110S	4"(110)	4"(110)	9"(228)	3-1/2"(88)	6-1/8"(155)	8-5/16"(211)	\$228.00
WB-6x4-90-316	839.110.160S	6"(160)	4"(110)	9-15/16"(252)	3-3/16"(80)	7-1/8"(180)	8-15/16"(227)	\$396.00
WB-6x6-90-316	839.160.160S	6"(160)	6"(160)	12-11/16"(322)	4-9/16"(115)	8-5/8"(219)	11-3/4"(298)	\$501.00



45° Double Wye Dimensional Chart

Model No.	Global Part #	D	D1	X	X2	X3	X4	List Price
DW2x2-45-316	836.050.050S	2"(50)	2"(50)	4-7/8"(123)	2-1/4"(57)	2"(50)	2-13/16"(71)	\$260.00
DW3x2-45-316	836.050.075S	3"(75)	2"(50)	5-1/2"(139)	2-1/4"(57)	2-1/2"(63)	3-9/16"(89)	\$286.00
DW4x2-45-316	836.075.075S	4"(110)	2"(50)	5-5/8"(142)	1-11/16"(42)	3-1/4"(81)	4-1/2"(114)	\$354.00
DW3x3-45-316	836.050.110S	3"(75)	3"(75)	6-7/8"(174)	2-15/16"(74)	2-15/16"(74)	4-3/16"(105)	\$309.00
DW4x3-45-316	836.075.110S	4"(110)	3"(75)	7"(178)	2-3/8"(60)	3-5/8"(92)	5-1/8"(130)	\$359.00
DW4x4-45-316	836.110.110S	4"(110)	4"(110)	9"(228)	3-1/2"(88)	4-1/16"(102)	5-11/16"(144)	\$393.00
DW6x4-45-316	836.110.160S	6"(160)	4"(110)	9-15/16"(252)	3-3/16"(80)	5-1/16"(128)	7-1/16"(180)	\$428.00
DW6x6-45-316	836.160.160S	6"(160)	6"(160)	12-11/16"(322)	4-9/16"(115)	6"(151)	8-1/2"(216)	\$571.00

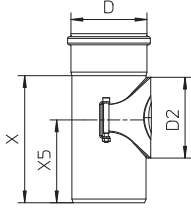


45° Double Wye (90 Degree Offset) Dimensional Chart

Model No.	Global Part #	D	D1	X	X2	X3	X5	List Price
OW2x2-45-316	837.050.050S	2"(50)	2"(50)	4-7/8"(123)	2-1/4"(57)	2"(50)	2-13/16"(71)	\$282.00
OW3x2-45-316	837.050.075S	3"(75)	2"(50)	5-1/2"(139)	2-1/4"(57)	2-1/2"(63)	3-9/16"(89)	\$424.00
OW4x2-45-316	837.050.110S	4"(110)	2"(50)	5-5/8"(142)	1-11/16"(42)	3-1/4"(81)	4-1/2"(114)	\$517.00
OW3x3-45-316	837.075.075S	3"(75)	3"(75)	6-7/8"(174)	2-15/16"(74)	2-15/16"(74)	4-3/16"(105)	\$418.00
OW4x3-45-316	837.075.110S	4"(110)	3"(75)	7"(178)	2-3/8"(60)	3-5/8"(92)	5-1/8"(130)	\$509.00
OW4x4-45-316	837.110.110S	4"(110)	4"(110)	9"(228)	3-1/2"(88)	4-1/16"(102)	5-11/16"(144)	\$608.00
OW6x4-45-316	837.110.160S	6"(160)	4"(110)	9-15/16"(252)	3-3/16"(80)	5-1/16"(128)	7-1/16"(180)	\$456.00
OW6x6-45-316	837.160.160S	6"(160)	6"(160)	12-11/16"(322)	4-9/16"(115)	6"(151)	8-1/2"(216)	\$608.00

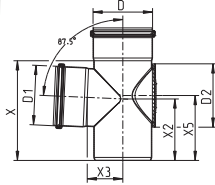
Stainless Steel Fittings

Access Pipes



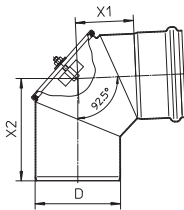
Straight Access Pipe Dimensional Chart

Model No.	Global Part #	D	D2	X	X5	List Price
AP-3-316	840.075.075S	3"(75)	3-3/16"(80)	5-5/16"(134)	3-5/8"(92)	\$114.00
AP-4-316	840.110.110S	4"(110)	4-3/4"(120)	7-3/8"(188)	4-7/8"(123)	\$134.00
AP-6-316	840.160.160S	6"(160)	4-3/4"(120)	10-11/16"(271)	8-3/16"(208)	\$414.00
AP-8-316	840.200.200S	8"(200)	4-3/4"(120)	11-1/16"(281)	8-3/16"(208)	\$536.00



90° Access Tee Dimensional Chart

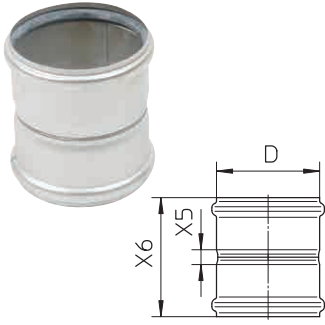
Model No.	Global Part #	D	D1	D2	X	X2	X3	X5	List Price
AT-4x4-316	834.110.110S	4"(110)	4"(110)	4-3/4"(120)	7-7/16"(189)	4-5/8"(117)	2-11/16"(67)	4-7/8"(123)	\$324.00
AT-6x6-316	834.160.160S	6"(160)	6"(160)	4-3/4"(120)	10-11/16" (271)	6-15/16"(176)	3-7/16"(86)	8-3/16"(208)	\$453.00



90° Access Bend Dimensional Chart

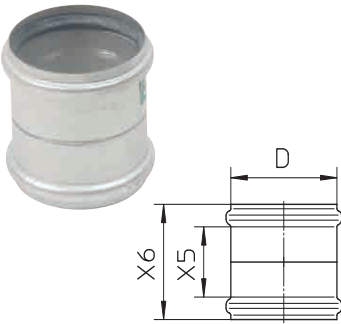
Model No.	Global Part #	D	X1	X2	List Price
AB-3-316	822.090.075S	3"(75)	2-1/16"(52)	4-1/16"(102)	\$224.00
AB-4-316	822.090.110S	4"(110)	3"(75)	5-1/4"(132)	\$249.00
AB-6-316	822.090.160S	6"(160)	4-3/16"(106)	8-1/16"(205)	\$348.00

Couplings & Expansion Sockets



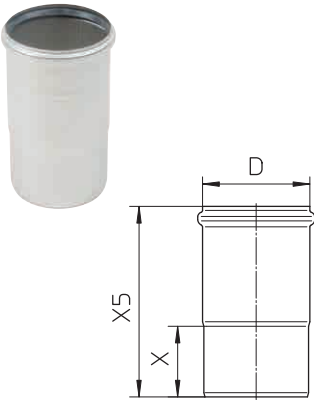
Double Coupling Dimensional Chart

Model No.	Global Part #	D	X5	X6	List Price
DC-1.5-316	841.040.040S	1.5"(40)	13/16"(20)	4-1/16"(104)	\$36.00
DC-2-316	841.050.050S	2"(50)	9/16"(13)	3-7/8"(97)	\$38.10
DC-3-316	841.075.075S	3"(75)	13/16"(20)	4-3/4"(120)	\$42.30
DC-4-316	841.110.110S	4"(110)	11/16"(16)	5-1/8"(130)	\$51.30
DC-6-316	841.160.160S	6"(160)	13/16"(20)	6-3/8"(162)	\$118.30
DC-8-316	841.200.200S	8"(200)	13/16"(20)	7-7/8"(200)	\$127.30
DC-10-316	841.250.250S	10"(250)	1-3/16"(30)	9-11/16"(246)	\$255.30



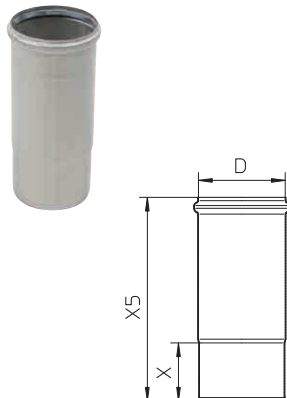
Double Slip Coupling Dimensional Chart

Model No.	Global Part #	D	X5	X6	List Price
DSC-1.5-316	842.040.040S	1.5"(40)	3"(76)	4-1/16"(104)	\$29.00
DSC-2-316	842.050.050S	2"(50)	2-13/16"(71)	3-7/8"(97)	\$32.00
DSC-3-316	842.075.075S	3"(75)	3-5/8"(91)	4-3/4"(120)	\$37.00
DSC-4-316	842.110.110S	4"(110)	3-7/8"(97)	5-1/8"(130)	\$49.00
DSC-6-316	842.160.160S	6"(160)	4-11/16"(118)	6-3/8"(162)	\$117.00
DSC-8-316	842.200.200S	8"(200)	5-13/16"(147)	7-7/8"(200)	\$154.00
DSC-10-316	842.250.250S	10"(250)	6-13/16"(173)	9-11/16"(246)	\$261.00



Expansion Socket Dimensional Chart

Model No.	Global Part #	D	X	X5	List Price
ES-1.5-316	843.095.040S	1.5"(40)	2-3/16"(55)	5-7/8"(150)	\$42.00
ES-2-316	843.105.050S	2"(50)	2-1/16"(52)	6-5/16"(159)	\$45.00
ES-3-316	843.115.075S	3"(75)	2-1/4"(57)	6-7/8"(175)	\$51.00
ES-4-316	843.125.110S	4"(110)	2-15/16"(74)	7-7/8"(200)	\$59.00
ES-6-316	843.182.160S	6"(160)	4-5/8"(116)	11-1/2"(292)	\$181.00

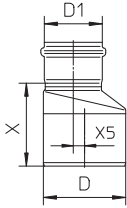


Long Expansion Socket Dimensional Chart

Model No.	Global Part #	D	X	X5	List Price
LES-2-316	869.143.050S	2"(50)	2-1/16"(52)	7-7/8"(200)	\$113.00
LES-3-316	869.163.075S	3"(75)	2-1/4"(57)	8-7/8"(225)	\$144.00
LES-4-316	869.181.110S	4"(110)	2-15/16"(74)	10-1/4"(260)	\$170.00
LES-6-316	869.238.160S	6"(160)	4-5/8"(116)	14-3/16"(360)	\$472.00
LES-8-316	869.300.200S	8"(200)	4-7/16"(112)	16-9/16"(420)	\$630.00

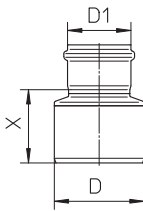
Stainless Steel Fittings

Increasesers & Reducers



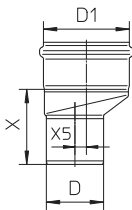
Eccentric Increaser Dimensional Chart

Model No.	Global Part #	D	D1	X	X5	List Price
EI-2x1.5-316	850.040.050S	2"(50)	1.5"(40)	3-7/8"(85)	3/16"(5)	\$57.00
EI-3x2-316	850.050.075S	3"(75)	2"(50)	3-1/4"(82)	5/16"(7)	\$62.00
EI-4x2-316	850.050.100S	4"(110)	2"(50)	4-5/16"(108)	1"(25)	\$82.00
EI-4x3-316	850.075.110S	4"(110)	3"(75)	4-3/8"(111)	5/8"(15)	\$68.00
EI-6x3-316	850.075.160S	6"(160)	3"(75)	6-3/4"(172)	1-1/2"(37)	\$186.00
EI-6x4-316	850.110.160S	6"(160)	4"(110)	5-11/32"(135)	7/8"(22)	\$111.00
EI-8x6-316	850.160.200S	8"(200)	6"(160)	6-1/2"(165)	13/16"(20)	\$196.00



Concentric Increaser Dimensional Chart

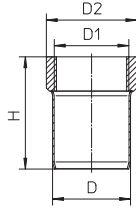
Model No.	Global Part #	D	D1	X	List Price
CI-3x2-316	850.050.075.CS	3"(75)	2"(50)	3-1/16"(77)	\$78.00
CI-4x2-316	850.050.110.CS	4"(110)	2"(50)	3-9/16"(89)	\$103.00
CI-4x3-316	850.075.110.CS	4"(110)	3"(75)	3-9/16"(90)	\$85.00
CI-6x4-316	850.110.160.CS	6"(160)	4"(110)	4-7/16"(112)	\$139.00
CI-8x6-316	850.160.200S	8"(200)	6"(160)	6-7/16"(164)	\$268.00
CI-10x8-316	850.200.250S	10"(250)	8"(200)	6-5/8"(168)	\$222.00



Eccentric Reducer Dimensional Chart

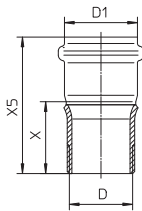
Model No.	Global Part #	D	D1	X	X5	List Price
ER-2x3-316	850.075.050S	2"(50)	3"(75)	3-1/8"(79)	5/16"(7)	\$62.00
ER-2x4-316	850.100.050S	2"(50)	4"(110)	3-3/4"(94)	1"(25)	\$82.00
ER-3x4-316	850.100.075S	3"(75)	4"(110)	3-7/8"(98)	5/8"(15)	\$68.00
ER-4x6-316	850.160.110S	4"(110)	6"(160)	4-5/8"(117)	7/8"(22)	\$111.00
ER-6x8-316	850.200.160S	6"(160)	8"(200)	6"(153)	13/16"(20)	\$196.00
ER-8x10-316	850.250.200S	8"(200)	10"(250)	7-7/16"(189)	1"(25)	\$236.00

Adaptors



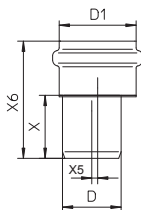
Female Adaptor Dimensional Chart

Model No.	Global Part #	D	D1	H	H5	List Price
FA-1-1/2x1-1/4-316	885.032.040S	1-1/2"(40)	1-1/4"(32)	2-13/16"(70)	1-13/16"(45)	\$59.00
FA-1-1/2x1-1/2-316	885.040.040S	1-1/2"(40)	1-1/2"(40)	2-7/8"(73)	2-1/4"(57)	\$59.00
FA-2x1-316	885.025.050S	2"(50)	1"(25)	3-11/16"(93)	1-5/8"(40)	\$67.00
FA-2x1-1/4-316	885.032.050S	2"(50)	1-1/4"(32)	2-7/8"(72)	1-15/16"(48)	\$73.00
FA-2x1-1/2-316	885.040.050S	2"(50)	1-1/2"(40)	2-7/8"(72)	2-5/16"(58)	\$94.00
FA-2x2-316	885.050.050S	2"(50)	2"(50)	3-1/16"(77)	2-11/16"(67)	\$95.00



Male Adaptor Dimensional Chart

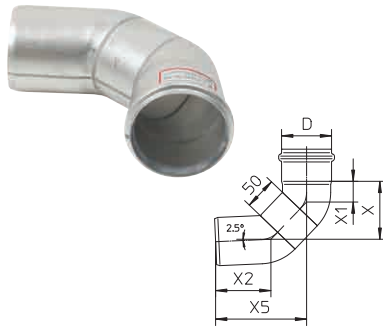
Model No.	Global Part #	D	D1	X	X5	List Price
MA-1-1/4x2-316	886.050.032S	1-1/4"(32)	2"(50)	3-7/8"(97)	2"(50)	\$41.00
MA-1-1/2x2-316	886.050.040S	1-1/2"(40)	2"(50)	3-7/8"(98)	2-1/16"(52)	\$52.00
MA-2x2-316	886.050.050S	2"(50)	2"(50)	3-7/8"(98)	2-1/16"(52)	\$57.00



Side Inlet Adaptor Dimensional Chart

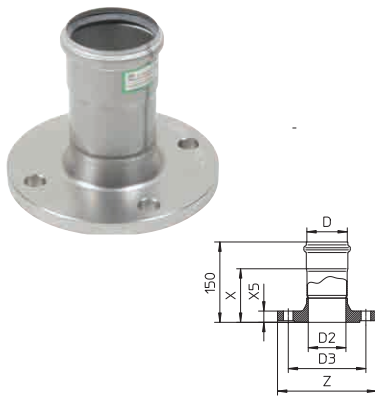
Model No.	Global Part #	D	D1	X	X5	X6	List Price
CSIA-1-1/4x2-316	850.050.032S	1-1/4"(32)	2"(50)	2-1/16"(52)	-	3-15/16"(99)	\$66.00
ESIA-1-1/2x2-316	850.050.040S	1-1/2"(40)	2"(50)	1-3/4"(43)	3/16"(4)	3-3/16"(80)	\$84.00

90 Degree Long Radius Bend



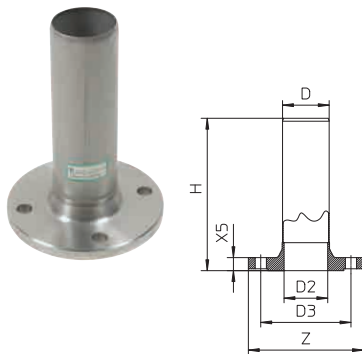
Model No. 316L / Global Part #	D	X	X1	X2	X5	List Price
821.000.050S	2"(50)	3"(77)	1"(26)	2-13/16"(72)	4-3/4"(120)	\$113.00
821.000.075S	3"(75)	3-9/16"(90)	1-1/4"(32)	3-3/8"(86)	5-9/16"(141)	\$139.00
821.090.050S	2"(50)	8-9/16"(217)	7/8"(22)	2-13/16"(72)	10-3/16"(259)	\$141.00
821.090.075S	3"(75)	9-1/16"(23)	1-1/16"(27)	3-7/16"(87)	11"(280)	\$162.00
821.090.110S	4"(110)	9-13/16"(250)	1-1/2"(38)	4-1/16"(103)	12-1/16"(307)	\$210.00
821.090.160S	6"(160)	11-1/8"(282)	5-1/8"(130)	5-1/8"(130)	13-15/16"(354)	\$416.00

DIN Socket Flange Adaptor — PN16 DIN 2633/EN1092-1



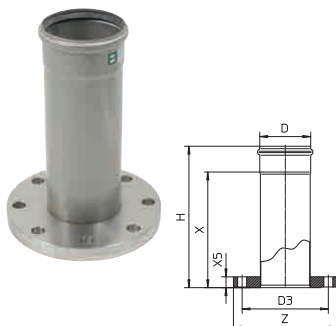
Model No. 316L / Global Part #	D	Z	D2	D3	X	X5	List Price
854.200.040S	1.5"(40)	5-15/16"(150)	1-11/16"(43)	4"(110)	4-1/14"(108)	11/16"(18)	\$254.00
854.200.050S	2"(50)	5-15/16"(150)	1-11/16"(43)	4"(110)	4-1/14"(108)	3/4"(19)	\$254.00
854.200.075S	3"(75)	7-1/4"(185)	2-3/4"(70)	5-11/16"(145)	3-15/16"(100)	13/16"(21)	\$298.00
854.300.040S	1.5"(40)	6-1/2"(165)	2-3/16"(55)	4-15/16"(125)	4-1/14"(108)	11/16"(18)	\$274.00
854.300.050S	2"(50)	6-1/2"(165)	2"(51)	4-15/16"(125)	4-1/14"(108)	13/16"(21)	\$274.00
854.300.110S	4"(110)	8-11/16"(220)	4-3/16"(107)	7-1/16"(180)	3-3/4"(95)	15/16"(23)	\$360.00

DIN Spigot Flange Adaptor — PN16 DIN 2633/EN1092-1



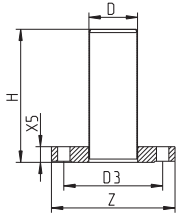
Model No. 316L / Global Part #	D	Z	H	D2	D3	X5	List Price
854.210.040S	1.5"(40)	5-15/16"(150)	5-15/16"(150)	1-11/16"(43)	4"(110)	11/16"(18)	\$254.00
854.210.050S	2"(50)	5-15/16"(150)	9-3/16"(234)	1-11/16"(43)	4"(110)	3/4"(19)	\$254.00
854.210.075S	3"(75)	7-1/4"(185)	9-5/8"(245)	2-3/4"(70)	5-11/16"(145)	13/16"(21)	\$298.00
854.310.040S	1.5"(40)	6-1/2"(165)	5-15/16"(150)	2-3/16"(55)	4-15/16"(125)	11/16"(18)	\$274.00
854.310.050S	2"(50)	6-1/2"(165)	7-9/16"(192)	2"(51)	4-15/16"(125)	13/16"(21)	\$274.00
854.310.110S	4"(110)	8-11/16"(220)	10-3/16"(259)	4-3/16"(107)	7-1/16"(180)	15/16"(23)	\$360.00

ANSI Socket Flange Adaptor — ANSI B16.5



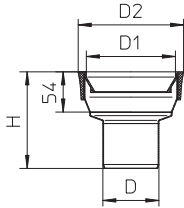
Model No. 316L / Global Part #	D	Z	H	D3	X	X5	List Price
854.025.040S	1.5"(40)	6"(152)	11-1/2"(292)	4-3/4"(121)	9-13/16"(250)	3/4"(19)	\$532.00
854.025.050S	2"(50)	6"(152)	11-11/16"(297)	4-3/4"(121)	10"(255)	13/16"(20)	\$532.00
854.025.075S	3"(75)	7-1/2"(191)	12"(305)	6"(153)	10"(255)	15/16"(24)	\$751.00
854.025.110S	4"(110)	9"(229)	12-3/4"(312)	7-1/2"(191)	10"(255)	15/16"(24)	\$1094.00
854.025.160S	6"(160)	11"(279)	12-7/8"(328)	9-1/2"(242)	10"(255)	15/16"(24)	\$2297.00

ANSI Spigot Flange Adaptor — ANSI B16.5



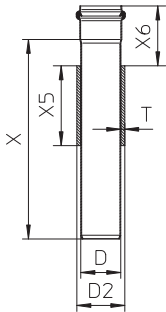
Model No. 316L / Global Part #	D	Z	H	D3	X5	List Price
854.035.040S	1.5"(40)	6"(152)	7-7/8"(200)	4-3/4"(121)	3/4"(19)	\$532.00
854.035.050S	2"(50)	6"(152)	7-3/4"(197)	4-3/4"(121)	3/4"(19)	\$532.00
854.035.075S	3"(75)	7-1/2"(191)	8-1/16"(205)	6"(152)	15/16"(24)	\$751.00
854.035.110S	4"(110)	9"(229)	8-3/8"(212)	7-1/2"(191)	15/16"(24)	\$1094.00

Toilet Adaptor



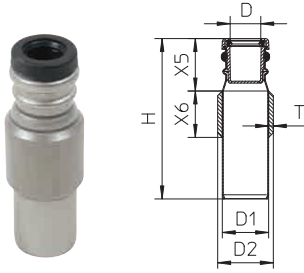
Model No. 316L / Global Part #	D	D1	D2	H	List Price
855.090.075S	3"(75)	4"(110)	5-9/16"(141)	5-1/8"(129)	\$92.00
855.090.110S	4"(110)	4"(110)	5-9/16"(141)	4-15/16"(124)	\$80.00

Bulkhead Penetration with Welding Sleeve



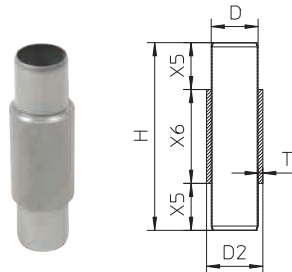
Model No. 316L / Global Part #	D	D2	X	X5	X6	T	List Price
866.025.040.10FS	1.5"(40)	2"(50)	9-13/16"(250)	3-15/16"(100)	3"(75)	3/16"(5)	\$191.00
866.025.050.10FS	2"(50)	2-3/8"(60)	9-13/16"(250)	3-15/16"(100)	3"(75)	3/16"(5)	\$191.00
866.025.075.10FS	3"(75)	3-3/8"(85)	9-13/16"(250)	3-15/16"(100)	3"(75)	3/16"(5)	\$440.00
866.025.110.10FS	4"(110)	4-3/4"(120)	9-13/16"(250)	3-15/16"(100)	3"(75)	3/16"(5)	\$454.00
866.025.160.10FS	6"(160)	6-11/16"(170)	9-13/16"(250)	3-15/16"(100)	3"(75)	3/16"(5)	\$602.00

Wash Basin Penetration with Welding Sleeve



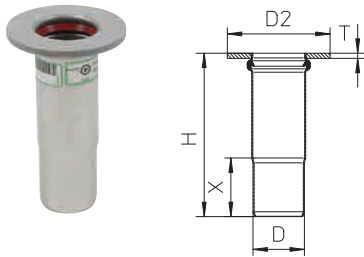
Model No. 316L / Global Part #	D	D1	H	D2	X5	X6	T	List Price
866.032.050.05S	1-1/4"(32)	2"(50)	6-13/16"(173)	2-3/8"(60)	2-1/4"(57)	2"(50)	3/16"(5)	\$512.00

Toilet Penetration for Vacuum System with Welding Sleeve



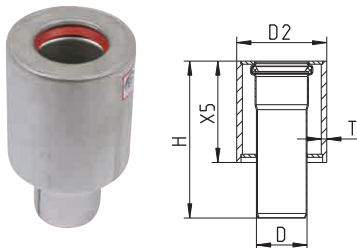
Model No. 316L / Global Part #	D	H	D2	X5	X6	T	List Price
867.020.040.10S	1.5"(40)	7-7/8"(200)	2"(50)	2"(50)	3-15/16"(100)	3/16"(5)	\$132.00
867.020.050.10S	2"(50)	7-7/8"(200)	2-3/8"(60)	2"(50)	3-15/16"(100)	3/16"(5)	\$132.00

Deck Penetration with Welding Flange



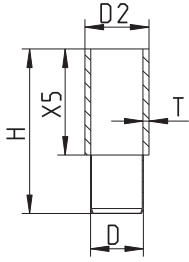
Model No. 316L / Global Part #	D	H	D2	X	T	List Price
868.100.040FS	1.5"(40)	6"(152)	3-9/16"(90)	2-3/16"(55)	3/16"(5)	\$207.00
868.105.050FS	2"(50)	6-1/4"(159)	3-15/16"(100)	2-1/4"(57)	3/16"(5)	\$207.00
868.115.075FS	3"(75)	6-7/8"(175)	5-5/16"(135)	2-7/16"(62)	3/16"(5)	\$244.00
868.125.110FS	4"(110)	7-7/8"(200)	6-5/16"(160)	3-1/8"(79)	3/16"(5)	\$290.00

Socket Deck Penetration with Welding Sleeve



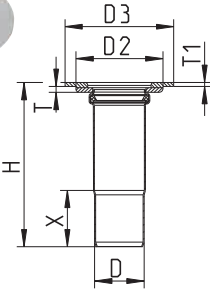
Model No. 316L / Global Part #	D	H	D2	X5	T	List Price
870.000.040FS	1.5"(40)	5-15/16"(151)	3-9/16"(90)	3-15/16"(100)	3/16"(5)	\$315.00
870.000.050FS	2"(50)	6-1/8"(155)	3-9/16"(90)	3-15/16"(100)	3/16"(5)	\$315.00
870.000.075FS	3"(75)	6-9/16"(167)	4-1/4"(108)	3-15/16"(100)	3/16"(5)	\$348.00
870.000.110FS	4"(110)	6-9/16"(167)	5-1/2"(140)	3-15/16"(100)	3/16"(5)	\$430.00

Deck Penetration with Welding Sleeve



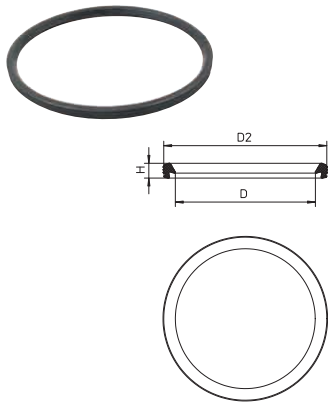
Model No. 316L / Global Part #	D	H	D2	X5	T	List Price
872.050.040S	1.5"(40)	5-15/16"(150)	2"(50)	3-15/16"(100)	3/16"(5)	\$190.00
872.060.050S	2"(50)	6-1/8"(155)	2-3/8"(60)	3-15/16"(100)	3/16"(5)	\$190.00
872.076.075S	3"(75)	6-5/16"(160)	3" (76)	3-15/16"(100)	3/16"(5)	\$245.00
872.089.075S	3"(75)	6-5/16"(160)	3-1/2" (89)	3-15/16"(100)	3/16"(5)	\$245.00
872.114.110S	4"(110)	6-1/8"(155)	4-1/2" (114)	3-15/16"(100)	3/16"(5)	\$278.00

Aluminum Deck Penetration with Bi-Metal Welding Flange



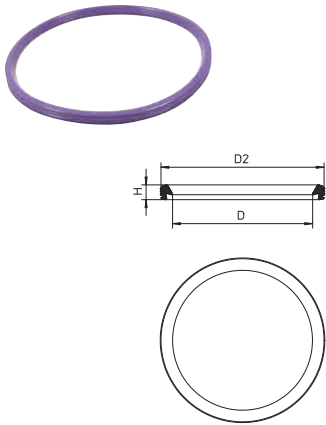
Model No. 316L / Global Part #	D	H	D2	D3	X	T	T1	List Price
878.105.050S	2"(50)	6-9/16"(166)	3-7/16"(88)	4-3/16" (110)	2-1/4"(57)	1/4"(6)	3/16"(4)	\$410.00
878.115.075S	3"(75)	7-3/16"(182)	4-7/16"(113)	5-5/16" (136)	2-7/16"(62)	1/4"(6)	3/16"(4)	\$434.00
878.125.110S	4"(110)	8-1/8"(207)	5-13/16"(148)	6-3/4" (172)	3-1/8"(79)	1/4"(6)	3/16"(4)	\$780.00

Sealing Rings



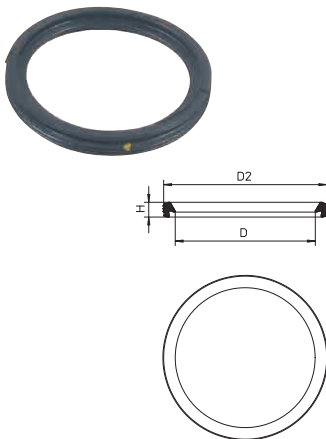
EPDM Sealing Ring Black (Standard) Dimensional Chart

Model No.	Global Part #	D	H	D2	List Price
EPDM-1-1/4	801.EPDM.032	1-1/4"(32)	1/4"(6)	1-5/8"(40)	\$5.60
EPDM-1-1/2	801.EPDM.040	1-1/2"(40)	3/8"(8)	2-1/16"(52)	\$5.60
EPDM-2	801.EPDM.050	2"(50)	3/8"(8)	2-1/2"(62)	\$5.60
EPDM-3	801.EPDM.075	3"(75)	3/8"(8)	3-7/16"(87)	\$5.60
EPDM-4	801.EPDM.110	4"(110)	3/8"(9)	4-15/16"(124)	\$5.60
EPDM-6	801.EPDM.160	6"(160)	1/2"(12)	7-1/8"(180)	\$9.80
EPDM-8	801.EPDM.200	8"(200)	9/16"(13)	8-13/16"(224)	\$9.80
EPDM-10	801.EPDM.250	10"(250)	3/4"(19)	11-1/8"(282)	\$11.10



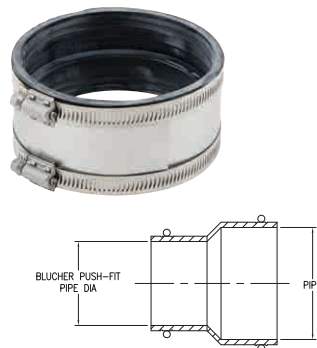
FPM Sealing Ring Purple (High Temperature Applications) Dimensional Chart

Model No.	Global Part #	D	H	D2	List Price
FPM-1.5	801.FPM.040	1.5"(40)	3/8"(8)	2-1/16"(52)	\$14.60
FPM-2	801.FPM.050	2"(50)	3/8"(8)	2-1/2"(62)	\$14.60
FPM-3	801.FPM.075	3"(75)	3/8"(8)	3-7/16"(87)	\$19.80
FPM-4	801.FPM.110	4"(110)	3/8"(9)	4-15/16"(124)	\$47.90
FPM-6	801.FPM.160	6"(160)	1/2"(12)	7-1/8"(180)	\$56.60
FPM-8	801.FPM.200	8"(200)	9/16"(13)	8-13/16"(224)	\$141.50
FPM-10	801.FPM.250	10"(250)	3/4"(19)	11-1/8"(282)	\$289.90



NBR Sealing Ring Yellow (Petroleum Applications) Dimensional Chart

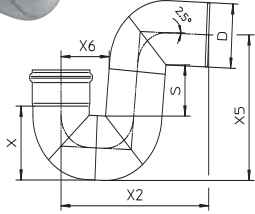
Model No.	Global Part #	D	H	D2	List Price
NBR-1.5	801.NBR.040	1.5"(40)	3/8"(8)	2-1/16"(52)	\$7.00
NBR-2	801.NBR.050	2"(50)	3/8"(8)	2-1/2"(62)	\$7.00
NBR-3	801.NBR.075	3"(75)	3/8"(8)	3-7/16"(87)	\$7.00
NBR-4	801.NBR.110	4"(110)	3/8"(9)	4-15/16"(124)	\$7.00
NBR-6	801.NBR.160	6"(160)	1/2"(12)	7-1/8"(180)	\$9.80
NBR-8	801.NBR.200	8"(200)	9/16"(13)	8-13/16"(224)	\$15.30
NBR-10	801.NBR.250	10"(250)	3/4"(19)	11-1/8"(282)	\$28.50



Transition Couplings

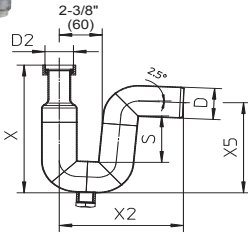
Model No. 316L	Global Part #	BLÜCHER	Cast Iron	Sch40	List Price
BTC-1.5x1.5	N/A	1.5"(40)	1.5"	1.5"	\$30.00
BTC-2x2	N/A	2"(50)	2"	2"	\$30.00
BTC-3x3-NH	N/A	3"(75)	3"		\$48.00
BTC-3x3-SCH40	N/A	3"(75)		3"	\$48.00
BTC-4x4-NH	N/A	4"(110)	4"		\$48.00
BTC-4x4-SCH40	N/A	4"(110)		4"	\$48.00
BTC-6x6-NH	N/A	6"(160)	6"		\$96.00
BTC-6x6-SCH40	N/A	6"(160)		6"	\$96.00

Traps



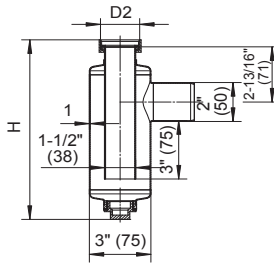
P-Trap Dimensional Chart

Model No.	Global Part #	D	S	X	X2	X5	X6	List Price
PT-2	525.090.050S	2"(50)	2-15/16"(74)	2-1/2"(63)	6-7/8"(175)	5-3/4"(145)	2-3/8"(60)	\$248.00
PT-3	525.090.075S	3"(75)	3-1/4"(81)	3-9/16"(89)	8-3/4"(222)	7-7/16"(189)	2-15/16"(74)	\$295.00
PT-4	525.090.110S	4"(110)	3-9/16"(89)	5"(126)	11-3/8"(289)	9-13/16"(249)	3-3/4"(94)	\$352.00
PT-6	525.090.160S	6"(160)	4-3/16"(105)	7"(178)	15-1/4"(388)	13-5/16"(338)	4-13/16"(121)	\$558.00



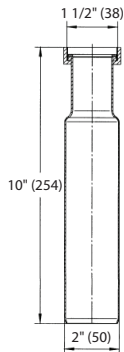
P-Trap w/Coupling & Drain Plug Dimensional Chart

Model No.	Global Part #	D	S	D2	X	X2	X5	List Price
PTC-2x1-1/4-316	525.032.050S	2"(50)	2-15/16"(74)	1-1/4"(32)	8-1/16"(205)	6-7/8"(175)	5-3/4"(145)	\$512.00
PTC-2x1-1/2-316	525.040.050S	2"(50)	2-15/16"(74)	1-1/2"(40)	8-1/16"(205)	6-7/8"(175)	5-3/4"(145)	\$512.00
PTC-2x2-316	525.050.050S	2"(50)	2-15/16"(74)	2"(50)	8-1/16"(205)	6-7/8"(175)	5-3/4"(145)	\$512.00



Bottle Trap Dimensional Chart

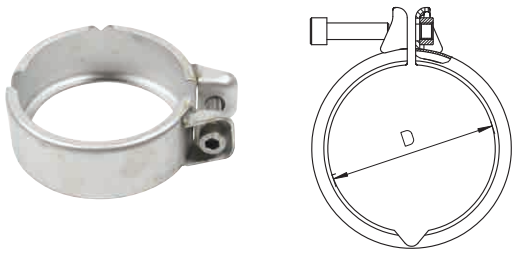
Model No.	Global Part #	D2	H	List Price
BT-1-1/4	505.032.050S	1-1/4"(32)	9-13/16"(250)	\$420.00
BT-1-1/2	505.040.050S	1-1/2"(40)	9-3/16"(233)	\$420.00
BT-2	505.050.050S	2"(50)	9-9/16"(243)	\$420.00



Tailpiece Adaptor Dimensional Chart

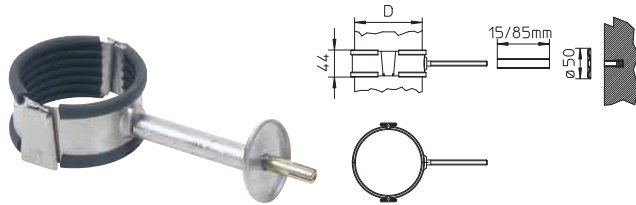
Model No.	Global Part #	Pipe Size	List Price
TA-1-1/2x2-316	851.025.040S	2"(50)	\$212.00

Clamps & Hangers



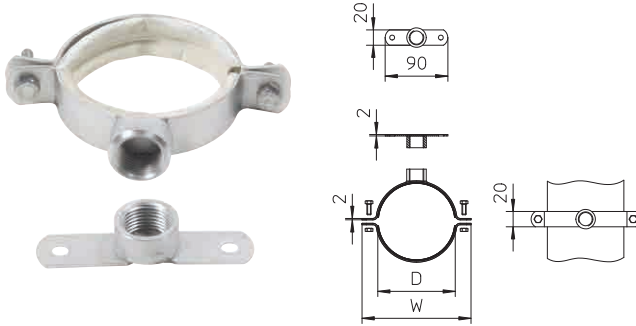
Joint Clamp Dimensional Chart

Model No.	Global Part #	D	List Price
JC-1.5	847.040.040	1.5"(40)	\$21.00
JC-2	847.050.050	2"(50)	\$21.00
JC-3	847.075.075	3"(75)	\$26.00
JC-4	847.110.110	4"(110)	\$30.00
JC-6	847.160.160	6"(160)	\$40.00
JC-8	847.200.200	8"(200)	\$96.00
JC-10	847.250.250	10"(250)	\$115.00



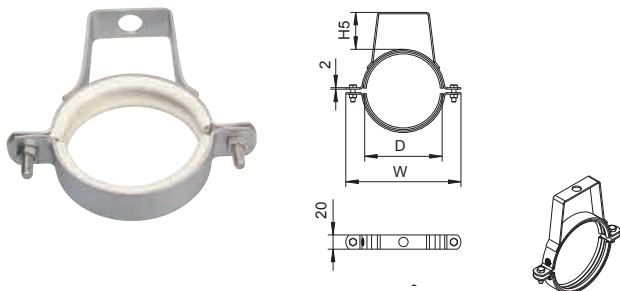
Pipe Hanger Dimensional Chart

Model No.	Global Part #	D	List Price
PH-2	860.040.050	2"(50)	\$32.00
PH-3	860.040.075	3"(75)	\$39.00
PH-4	860.040.110	4"(110)	\$45.00
PH-6	860.040.160	6"(160)	\$60.00



2-Piece Pipe Hanger Dimension Chart

Model No.	Global Part #	D	Thread Size	List Price
PH2-1.5-3/8	895.012.040.AGS	1.5"(40)	3/8"	\$34.00
PH2-1.5-1/2	895.012.040.GS	1.5"(40)	1/2" BSP	\$34.00
PH2-2-3/8	895.012.050.AGS	2"(50)	3/8"	\$34.00
PH2-2-1/2	895.012.050.GS	2"(50)	1/2" BSP	\$34.00
PH2-3-3/8	895.012.075.AGS	3"(75)	3/8"	\$40.00
PH2-3-1/2	895.012.075.GS	3"(75)	1/2" BSP	\$40.00
PH2-4-3/8	895.012.110.AGS	4"(110)	3/8"	\$45.00
PH2-4-1/2	895.012.110.GS	4"(110)	1/2" BSP	\$45.00
PH2-6-3/8	895.012.160.AGS	6"(160)	3/8"	\$51.00
PH2-6-1/2	895.012.160.GS	6"(160)	1/2" BSP	\$51.00



Adjustable Pipe Hanger Dimension Chart

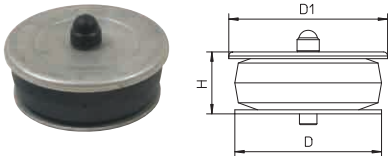
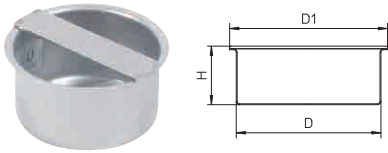
Model No.	Global Part #	D	List Price
PHA-1.5	895.200.040S	1.5"(40)	\$32.00
PHA-2	895.200.050S	2"(50)	\$32.00
PHA-3	895.200.075S	3"(75)	\$34.00
PHA-4	895.200.110S	4"(110)	\$37.00
PHA-6	895.200.160S	6"(160)	\$72.00



Sway Brace

Model No.	Global Part #	List Price
SB-1	847.000.000	\$19.00

Socket Plugs



Push-In Socket Plug Dimensional Chart

Model No.	Global Part #	D	D1	H	List Price
PSP-1.5	844.000.040S	1.5"(40)	2"(50)	1-1/4"(32)	\$24.00
PSP-2	844.000.050S	2"(50)	2-5/16"(58)	2"(50)	\$24.00
PSP-3	844.000.075S	3"(75)	3-3/8"(85)	1-13/16"(45)	\$25.00
PSP-4	844.000.110S	4"(110)	4-3/4"(120)	1-13/16"(45)	\$31.00
PSP-6	844.000.160S	6"(160)	6-11/16"(170)	1-13/16"(45)	\$66.00
PSP-8	844.000.200S	8"(200)	8-1/4"(210)	2"(50)	\$99.00
PSP-10	844.000.250S	10"(250)	10-7/16"(265)	2-9/16"(65)	\$142.00

Compression Socket Plug Dimensional Chart

Model No.	Global Part #	D	D1	H	List Price
CSP-2	844.100.050S	2"(50)	2-3/8"(59)	1-1/4"(31)	\$50.00
CSP-3	844.100.075S	3"(75)	3-5/16"(83)	1-7/16"(36)	\$52.00
CSP-4	844.100.110S	4"(110)	4-11/16"(118)	1-7/16"(36)	\$63.00
CSP-6	845.000.160S	6"(160)	6-11/16"(170)	1-13/16"(45)	\$98.00

Cutting Tools & Accessories



Manual Pipe Cutting & Beveling Tool

Special disc cutter cuts and grips at the same time.
Do not cut fittings.

Model No.	Global Part #	Desc.	List Price
MPC-2-4	006.050.110	Manual Pipe Cutter 2"(50) to 4"(160)	\$3840.00
MPC-2-4-R	006.050.110.R	Manual Pipe Cutter 2"(50) to 4"(160) (1 week rental)	\$147.00
MPC-5-8	006.125.200	Manual Pipe Cutter 5"(125) to 8"(200)	\$7960.00
MPC-5-8-R	006.125.200.R	Manual Pipe Cutter 5"(125) to 8"(200) (1 week rental)	\$303.00
MPC-8-12	006.200.315	Manual Pipe Cutter 8"(200) to 12"(325)	\$20350.00
MPC-8-12-R	006.200.315.R	Manual Pipe Cutter 8"(200) to 12"(325) (1 week rental)	\$783.00
MPC-S-2-4	006.000.005	Spindle for MPC-2-4 Pipe Cutter	\$27.00
MPC-D-2-4	006.000.000	Cutting Disc for MPC-2-4	\$51.00
MPC-D-5-8	006.000.001	Cutting Disc for MPC-5-8	\$160.00



Electric Pipe Cutting & Beveling Tool

Produces a beveled leading edge in less than 20 seconds.
Cutting discs change over quickly. *Do not cut fittings.*

Model No.	Global Part #	Desc.	List Price
EPC-2-6	800.050.160.US	110V Electric Pipe Cutter 2"(50) to 6"(160)	\$31080.00
EPC-2-6-R	800.050.160.US.R	110V Electric Pipe Cutter 2"(50) to 6"(160) (1 week rental)	\$1170.00



Cutting Oil/Joining Lubricant

Joining lubricant is required to connect pipe and fittings in a simple action. Blucher Jointing Lubricant is designed to dry out and lose its lubricity after a few days, preventing any future opening of the joint.

Model No.	Global Part #	Desc.	List Price
AT-1	007.000.000	Atomizer for Jointing Lubricant or Cutting Oil	\$17.00
JL-1	007.100.050	Jointing Lubricant (0.5 Liter)	\$38.00
CO-1	007.500.050	Cutting Oil (0.5 Liter)	\$72.00



Pipe Dimpling Tool

For pressing pipe projections on pipe. Use with Ridgid RP 330-C Press Tool

Model No.	Global Part #	Desc.	List Price
DJ-1	800.200.001	Dimpling Tool	\$7200.00
DJ-1-R	800.200.001.R	Dimpling Tool (1 week rental)	\$150.00

Drains for hospitality, medical, commercial and industrial applications



Sanitary stainless steel drains and cleanouts

Sanitary applications

- Industrial manufacturing
- Medical facilities
- Hotels and resorts
- Commercial kitchens
- Supermarkets, restaurants, airports, etc.

Special applications

- Chemical or biohazard environments
- Marine and shipbuilding
- Rubberized or epoxy flooring
- Indirect waste

Specifications

- Stainless steel AISI 304 or 316L
- IAPMO and/or NSF listed
- ANSI load classifications to Extra Heavy Duty

Pictorial Index

Washroom/Shower



BSS-100
Shower

Washroom/Shower



BSS-300
Shower

Washroom/Shower



BSR-700
Shower w/Surface
Membrane Clamp

Washroom/Shower



BSR-800
Shower w/ Surface
Membrane Clamp



BFD-110
8"x8" w/
Flashing Clamp



BFD-110-R
8" Round w/
Flashing Clamp



BFD-110-SO
8"x8" w/
Flashing Clamp



BFD-110-R-SO
8" Round w/
Flashing Clamp



BFD-130
12"x12" w/
Flashing Clamp



BFD-130-R
12" Round w/
Flashing Clamp



BFD-130-SO
12"x12" w/
Flashing Clamp



BFD-130-R-SO
12" Round w/
Flashing Clamp



BFD-210
8"x8" Adjustable



BFD-210-R
8" Round Adjustable



BFD-210-SO
8"x8" Adjustable



BFD-210-R-SO
8" Round Adjustable

Pictorial Index



BFD-230
12"x12" Adjustable



BFD-230-R
12" Round Adjustable



BFD-230-SO
12"x12" Adjustable



BFD-230-R-SO
12" Round Adjustable



BFD-320
8"x8" Sanitary



BFD-320-SO
8"x8" Sanitary



BFD-340
12"x12" Sanitary



BFD-340-SO
12"x12" Sanitary



BFD-420
8" Round Sanitary



BFD-420-SO
8" Round Sanitary



BFD-440
12" Round Sanitary



BFD-440-SO
12" Round Sanitary



BFD-510
8" Round Surface
Membrane Clamp



BFD-510-SO
8" Round Surface
Membrane Clamp



BFD-530
12" Round Surface
Membrane Clamp



BFD-530-SO
12" Round Surface
Membrane Clamp

Pictorial Index



BFD-550
8"x8" Elastomeric
Flange



BFD-560
12"x12" Elastomeric
Flange



BFD-570
HygienicPro® Floor Drain



BFD-570-SO
HygienicPro® Floor Drain
w/Side Outlet



BFD-610
Gastight Industrial



BFD-610-R
Gastight Industrial



BFD-VH
Vacuum Handles



BHD-100
Hub Drain



BTPC
Trap Primer Adaptor



BCO-110
Cleanout Pull Nipple



BCO-120
Cleanout Vacuum Cover



BCO-130
Cleanout Heavy Duty



BCO-140
Cleanout Pull Nipple



BCO-150
Cleanout Vacuum Cover



BCO-220
Cleanout w/Surface
Membrane Clamp

Pictorial Index



470.000.xxxS
Steel Deck Lower Part
w/Welding Sleeve



470.200.xxxS
Steel Deck Lower Part
w/Welding Flange



475.000.xxxS
Steel Deck Lower Part
w/Welding Sleeve



475.100.xxxS
Steel Deck Lower Part
w/Welding Sleeve



475.200.xxxS
Steel Deck Lower Part
w/Welding Flange



480.200.xxxS
Aluminum Deck Lower Part



485.200.xxxS
Aluminum Deck Lower Part



471.300.110S
Side Inlets Upper Part



472.320.110S
Resin Floors Upper Part



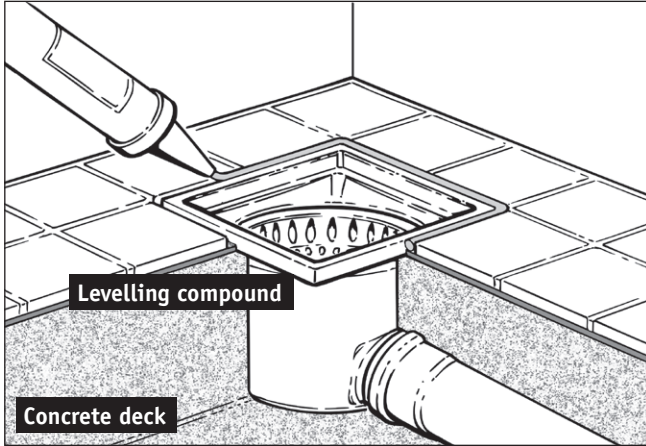
473.301.110S
Surface Membrane Clamp
Upper Part



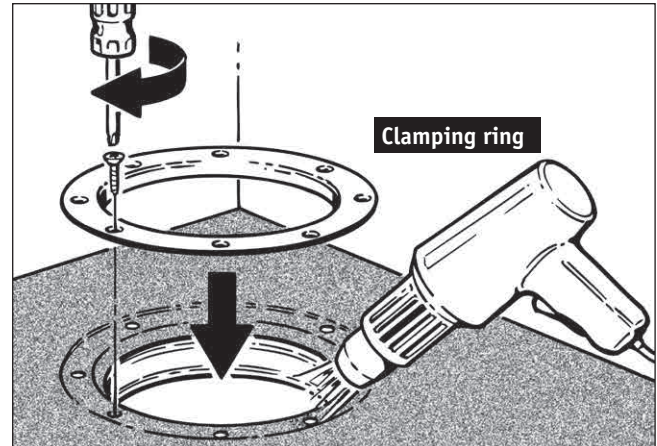
472.320.110S
Welding Sleeve Upper Part

Installation examples

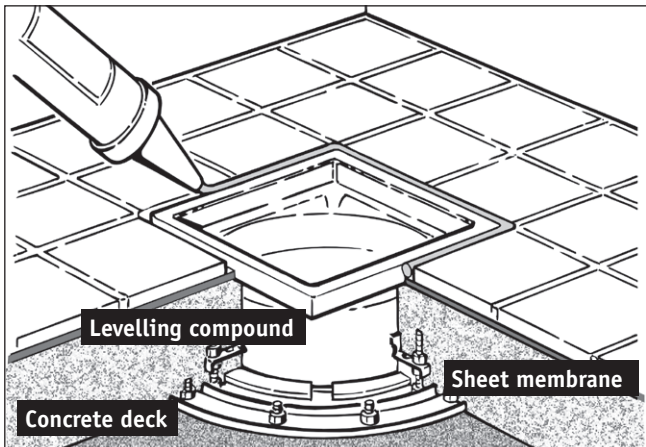
On grade



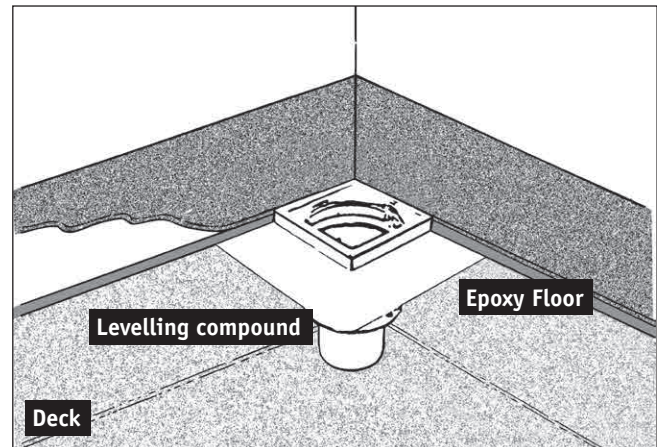
Sheet flooring



Above ground with membrane

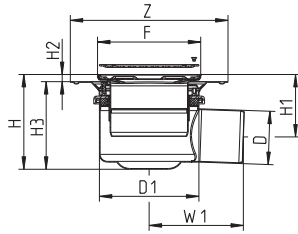


With elastomeric flange



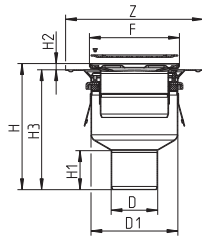
Series BSS Washroom/Shower Drains with Square Top

BSS-100 Washroom/Shower



Model No.	Global Part #	Pipe Size <i>D</i>	<i>D1</i>	Top Size <i>F</i>	<i>Z</i>	<i>H</i> Adjustable	<i>H1</i> Adjustable	<i>H2</i> Adjustable	<i>H3</i> Adjustable	<i>W1</i>	List Price
BSS-102	312.300.050	2"(50)	5-1/2"(140)	6"x6"(145x145)	8-3/4"(222)	5-1/4"(133) 7-3/8"(188)	3-9/16"(90) 4-3/16"(105)	7/16"(10) 2"(50)	4-7/8"(123) 5-7/16"(138)	5-1/4"(133)	\$274.00
BSS-103	312.300.075	3"(75)	5-1/2"(140)	6"x6"(145x145)	8-3/4"(222)	5-1/4"(133) 7-3/8"(188)	3-1/2"(88) 5-11/16"(143)	7/16"(10) 2"(50)	4-7/8"(123) 5-7/16"(138)	5-1/4"(133)	\$274.00

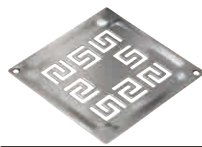
BSS-300 Washroom/Shower



Model No.	Global Part #	Pipe Size <i>D</i>	<i>D1</i>	Top Size <i>F</i>	<i>Z</i>	<i>H</i> Adjustable	<i>H1</i>	<i>H2</i> Adjustable	<i>H3</i> Adjustable	List Price
BSS-302	352.300.050	2"(50)	5-1/2"(140)	6"x6"(145x145)	8-3/4"(222)	8-1/8"(207) - 10-1/4"(261)	2-5/16"(58)	7/16"(10) - 2"(50)	7-3/4"(197) - 8-3/8"(212)	\$274.00
BSS-303	352.300.075	3"(75)	5-1/2"(140)	6"x6"(145x145)	8-3/4"(222)	8"(203) - 10- 13/16"(258)	2-1/2"(63)	7/16"(10) 2"(50)	7-5/8"(193) - 8-3/16"(208)	\$274.00
BSS-304	352.300.110	4"(110)	5-1/2"(140)	6"x6"(145x145)	8-3/4"(222)	6-3/4"(171) - 8-7/8"(226)	3-1/8"(79)	7/16"(10) 2"(50)	6-5/16"(161) - 6-15/16"(176)	\$274.00

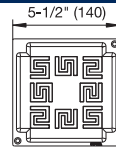
Series BSS Optional Gratings

No additional charge



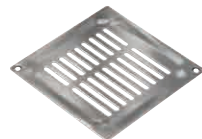
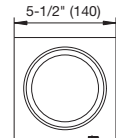
-A

Athens



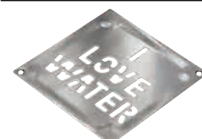
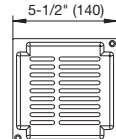
-C

Copenhagen



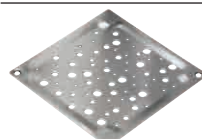
-D

Detroit



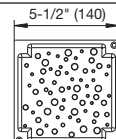
-N

New York



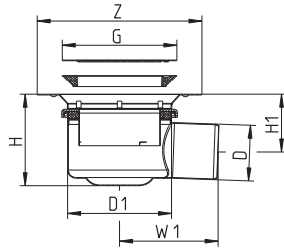
-O

Oslo



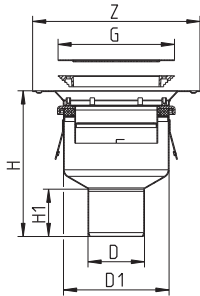
Series BSR Washroom/Shower Drains w/Surface Membrane Clamp

BSR-700 Washroom/Shower



Model No.	Global Part #	Pipe Size <i>D</i>	<i>D1</i>	Top Size <i>Z</i>	<i>G</i>	<i>H</i> Adjustable	<i>H1</i> Adjustable	<i>W1</i>	List Price
BSR-702	210.300.050	2"(50)	5-1/2"(140)	8-3/4"(222)	6-1/8"(155)	4-3/4"(120) - 5-1/8"(130)	2-3/8"(60) - 2-13/16"(70)	5"(127)	\$456.00
BSR-703	210.300.075	3"(75)	5-1/2"(140)	8-3/4"(222)	6-1/8"(155)	4-7/8"(123) - 6-1/16"(153)	3-1/8"(78) - 4-5/16"(108)	5-1/4"(133)	\$456.00

BSR-800 Washroom/Shower

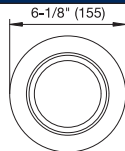


Model No.	Global Part #	Pipe Size <i>D</i>	<i>D1</i>	Top Size <i>Z</i>	<i>G</i>	<i>H</i> Adjustable	<i>H1</i>	List Price
BSR-802	250.300.050	2"(50)	5-1/2"(140)	8-3/4"(222)	6-1/8"(155)	7-3/4"(197) - 8-15/16"(227)	2-5/16"(58)	\$456.00
BSR-803	250.300.075	3"(75)	5-1/2"(140)	8-3/4"(222)	6-1/8"(155)	7-5/8"(193) - 8-3/4"(223)	2-1/2"(63)	\$456.00
BSR-804	250.300.110	4"(110)	5-1/2"(140)	8-3/4"(222)	6-1/8"(155)	6-5/16"(161) - 7-3/4"(191)	3-1/8"(79)	\$456.00

Series BSR Optional Gratings

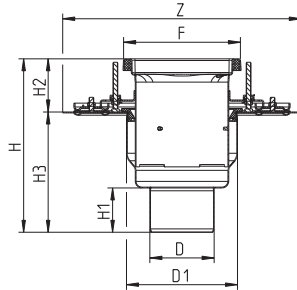
-C

Copenhagen



Series BFD Adjustable Floor Drains

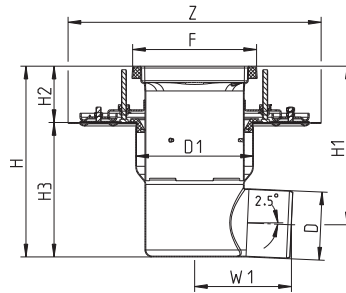
BFD-110 Adjustable Floor Drain w/8"x8" Square Top, Membrane Clamp, Bottom Outlet



BFD-110-R

Model No.	Global Part #	Pipe Size D	D1	Top Size F	Z	H Adjustable	H1	H2 Adjustable	H3	List Price
BFD-113	775.402.075	3"(75)	7-1/2"(190)	8"x8"(200x200)	16-1/8"(409)	11-1/4"(286)-13-5/8"(346)	2-9/16"(65)	3-5/8"(91)-6"(151)	7-11/16"(195)	\$589.00
BFD-114	775.402.110	4"(110)	7-1/2"(190)	8"x8"(200x200)	16-1/8"(409)	11-11/16"(297)-14-1/16"(357)	3"(76)	3-5/8"(91)-6"(151)	8-1/8"(206)	\$589.00

BFD-110-S0 Adjustable Floor Drain w/8"x8" Square Top, Membrane Clamp, Side Outlet

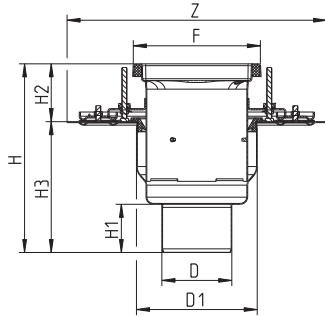


BFD-110-R-S0

Model No.	Global Part #	Pipe Size D	D1	Top Size F	Z	H Adjustable	H1 Adjustable	H2 Adjustable	H3	W1	List Price
BFD-113-S0	771.402.075	3"(75)	7-1/2"(190)	8"x8"(200x200)	16-1/8"(409)	12-1/8"(308)-14-1/2"(368)	10-13/16"(275)-13-3/16"(335)	3-5/8"(91)-6"(151)	8-9/16"(217)	9-15/16"(253)	\$664.00
BFD-114-S0	771.402.110	4"(110)	7-1/2"(190)	8"x8"(200x200)	16-1/8"(409)	12-1/8"(308)-14-1/2"(368)	10-1/16"(256)-12-7/16"(316)	3-5/8"(91)-6"(151)	8-9/16"(217)	6-3/16"(156)	\$664.00

Series BFD Adjustable Floor Drains

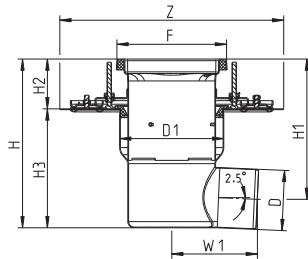
BFD-130 Adjustable Floor Drain w/12"x12" Square Top, Membrane Clamp, Bottom Outlet



BFD-130-R

Model No.	Global Part #	Pipe Size <i>D</i>	<i>D1</i>	Top Size <i>F</i>	<i>Z</i>	<i>H</i> Adjustable	<i>H1</i>	<i>H2</i> Adjustable	<i>H3</i>	List Price
BFD-134	775.403.110	4"(110)	11-1/2"(291)	12"x12"(300x300)	20"(507)	13-7/16"(342)- 15-13/16"(402)	3"(76)	3-5/8"(91)- 6"(151)	9-7/8"(251)	\$826.00
BFD-136	775.403.160	6"(160)	11-1/2"(291)	12"x12"(300x300)	20"(507)	14-3/16"(361)- 16-9/16"(421)	3-3/4"(95)	3-5/8"(91)- 6"(151)	10-5/8"(270)	\$826.00

BFD-130-SO Adjustable Floor Drain w/12"x12" Square Top, Membrane Clamp, Side Outlet



BFD-130-R-SO

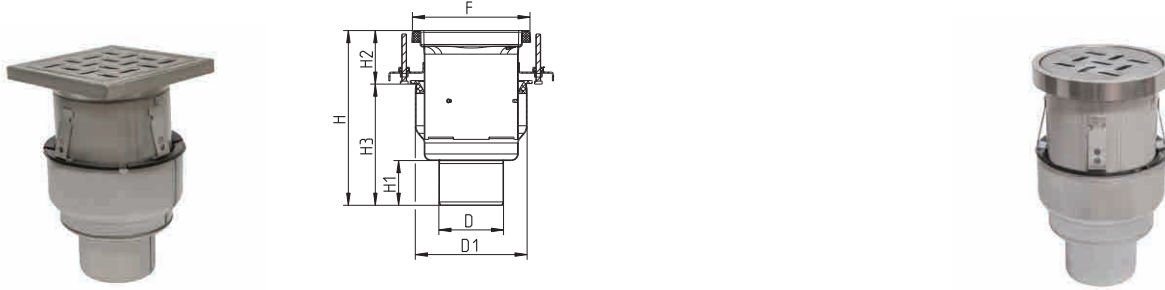
Model No.	Global Part #	Pipe Size <i>D</i>	<i>D1</i>	Top Size <i>F</i>	<i>Z</i>	<i>H</i> Adjustable	<i>H1</i> Adjustable	<i>H2</i> Adjustable	<i>H3</i>	<i>W1</i>	List Price
BFD-134-SO	771.403.110	4"(110)	11-1/2"(291)	12"x12" (300x300)	20"(507)	12-5/16"(313)- 14-11/16"(373)	10-1/4"(261)- 12-5/8"(321)	3-5/8"(91)- 6"(151)	8-3/4"(222)	8-1/8"(206)	\$1009.00
BFD-136-SO	771.403.160	6"(160)	11-1/2"(291)	12"x12" (300x300)	20"(507)	12-5/16"(313)- 14-11/16"(373)	9-5/8"(245)- 13-11/16"(348)	3-5/8"(91)- 6"(151)	8-3/4"(222)	13-7/16"(341)	\$1009.00

Series BFD Options (See p.54)		
Suffix	Description	List Add
-316	Type 316 Stainless Steel	20%
-B	Sediment Basket	8x8 \$51.00 12x12 106.00
-P	Stainless Steel P-Trap	See pg. 28
-R	Round Top	No Add
-SB	Sand Bucket	8x8 \$51.00 12x12 106.00
-TPT	Trap Primer Tapping	160.00
-VP	Grate Secured w/Vandal Proof Screws	110.00

Series BFD Grating Options (See p. 52-53)		
Suffix	Description	List Add
None	1/8" Grating	Standard
-150	1/2 Grate (Standard Grating)	No Add
-175	3/4 Grate (Standard Grating)	No Add
-HG	Hygienic-Pro	\$173.00
-LG	Ladder	\$282.00
-MG	Mesh	\$ 65.00
-SG	Slot	\$194.00

Series BFD On-Grade Adjustable Floor Drains

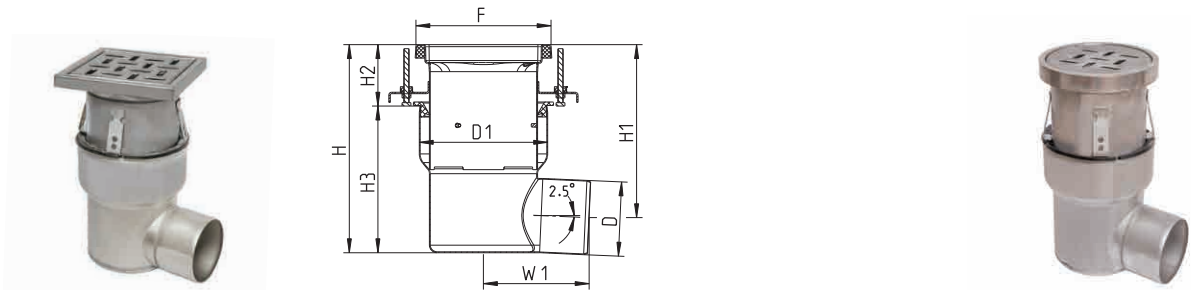
BFD-210 On-Grade Adjustable Floor Drain w/8"x8" Square Top, Bottom Outlet



BFD-210-R

Model No.	Global Part #	Pipe Size <i>D</i>	<i>D1</i>	Top Size <i>F</i>	<i>H</i> Adjustable	<i>H1</i>	<i>H2</i> Adjustable	<i>H3</i>	List Price
BFD-213	740.402.075	3"(75)	7-1/2"(190)	8"x8" (200x200)	11-1/4"(286)- 13-5/8"(346)	2-9/16"(65)	3-5/8"(91)-6"(151)	7-11/16"(195)	\$330.00
BFD-214	740.402.110	4"(110)	7-1/2"(190)	8"x8" (200x200)	11-11/16"(297)- 14-1/16"(357)	3"(76)	3-5/8"(91)-6"(151)	8-1/8"(206)	\$330.00

BFD-210-SO On-Grade Adjustable Floor Drain w/8"x8" Square Top, Side Outlet

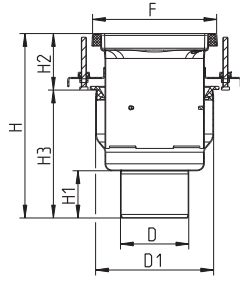


BFD-210-R-SO

Model No.	Global Part #	Pipe Size <i>D</i>	<i>D1</i>	Top Size <i>F</i>	<i>H</i> Adjustable	<i>H1</i> Adjustable	<i>H2</i> Adjustable	<i>H3</i>	<i>W1</i>	List Price
BFD-213-SO	743.402.075	3"(75)	7-1/2"(190)	8"x8" (200x200)	12-1/8"(308)- 14-1/2"(368)	10-13/16"(275)- 13-3/16"(335)	3-5/8"(91)- 6"(151)	8-9/16"(217)	9-15/16"(253)	\$409.00
BFD-214-SO	743.402.110	4"(110)	7-1/2"(190)	8"x8" (200x200)	12-1/8"(308)- 14-1/2"(368)	10-1/16"(256)- 12-7/16"(316)	3-5/8"(91)- 6"(151)	8-9/16"(217)	6-3/16"(156)	\$409.00

Series BFD On-Grade Adjustable Floor Drains

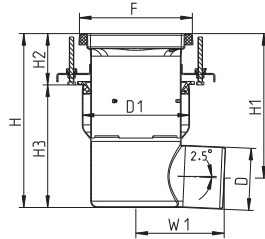
BFD-230 On-Grade Adjustable Floor Drain w/12"x12" Square Top, Bottom Outlet



BFD-230-R

Model No.	Global Part #	Pipe Size D	D1	Top Size F	H Adjustable	H1	H2 Adjustable	H3	List Price
BFD-234	740.403.110	4"(110)	11-1/2"(291)	12"x12"(300x300)	13-7/16"(342)-15-13/16"(402)	3"(76)	3-5/8"(91)-6"(151)	9-7/8"(251)	\$553.00
BFD-236	740.403.160	6"(160)	11-1/2"(291)	12"x12"(300x300)	14-3/16"(361)-16-9/16"(421)	3-3/4"(95)	3-5/8"(91)-6"(151)	10-5/8"(270)	\$553.00

BFD-230-SO On-Grade Adjustable Floor Drain w/12"x12" Square Top, Side Outlet



BFD-230-R-SO

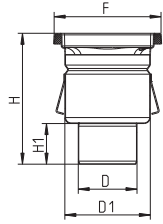
Model No.	Global Part #	Pipe Size D	D1	Top Size F	H Adjustable	H1 Adjustable	H2 Adjustable	H3	W1	List Price
BFD-234-SO	743.403.110	4"(110)	11-1/2"(291)	12"x12"(300x300)	12-5/16"(313)-14/11/16"(373)	10-1/4"(261)-12-5/8"(321)	3-5/8"(91)-6"(151)	8-3/4"(222)	8-1/8"(206)	\$632.00
BFD-236-SO	743.403.160	6"(160)	11-1/2"(291)	12"x12"(300x300)	12-5/16"(313)-14/11/16"(373)	9-5/8"(245)-13-11/16"(348)	3-5/8"(91)-6"(151)	8-3/4"(222)	13-7/16"(341)	\$632.00

Series BFD Options (See p.54)		
Suffix	Description	List Add
-316	Type 316 Stainless Steel	20%
-B	Sediment Basket	8x8 \$51.00 12x12 106.00
-P	Stainless Steel P-Trap	See pg. 28
-R	Round Top	NoAdd
-SB	Sand Bucket	8x8 \$51.00 12x12 106.00
-TPT	Trap Primer Tapping	160.00
-VP	Grate Secured w/Vandal Proof Screws	110.00

Series BFD Grating Options (See p.52-53)		
Suffix	Description	List Add
None	1/8" Grating	Standard
-150	1/2 Grate (Standard Grating)	No Add
-175	3/4 Grate (Standard Grating)	No Add
-HG	Hygienic-Pro	\$173.00
-LG	Ladder	\$282.00
-MG	Mesh	\$ 65.00
-SG	Slot	\$194.00

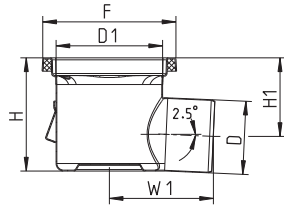
Series BFD Sanitary Floor Drains with Square Top

BFD-320 Sanitary Floor Drain w/8"x8" Square Top, Bottom Outlet



Model No.	Global Part #	Pipe Size <i>D</i>	<i>D1</i>	Top Size <i>F</i>	<i>H</i>	<i>H1</i>	List Price
BFD-323	766.402.075	3"(75)	6"(160)	8"x8"(200x200)	9-3/16"(234)	2-9/16"(65)	\$238.00
BFD-324	766.402.110	4"(110)	6"(160)	8"x8"(200x200)	9-1/4"(235)	3"(76)	\$238.00

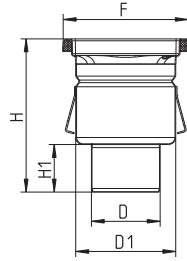
BFD-320-S0 Sanitary Floor Drain w/8"x8" Square Top, Side Outlet



Model No.	Global Part #	Pipe Size <i>D</i>	<i>D1</i>	Top Size <i>F</i>	<i>H</i>	<i>H1</i>	<i>W1</i>	List Price
BFD-323-S0	726.402.075	3"(75)	6"(160)	8"x8"(200x200)	6-11/16"(170)	5-7/16"(137)	9-15/16"(253)	\$317.00
BFD-324-S0	726.402.110	4"(110)	6"(160)	8"x8"(200x200)	6-11/16"(170)	4-11/16"(118)	6-3/16"(156)	\$317.00

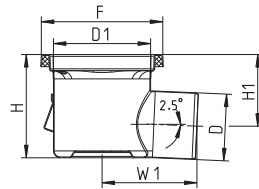
Series BFD Sanitary Floor Drains with Square Top

BFD-340 Sanitary Floor Drain w/12"x12" Square Top, Bottom Outlet



Model No.	Global Part #	Pipe Size <i>D</i>	<i>D1</i>	Top Size <i>F</i>	<i>H</i>	<i>H1</i>	List Price
BFD-343	766.403.075	3"(75)	10-1/4"(260)	12"x12"(300x300)	10-3/4"(273)	2-9/16"(65)	\$475.00
BFD-344	766.403.110	4"(110)	10-1/4"(260)	12"x12"(300x300)	11-3/16"(284)	3"(76)	\$475.00
BFD-346	766.403.160	6"(160)	10-1/4"(260)	12"x12"(300x300)	11-15/16"(303)	3-3/4"(95)	\$475.00

BFD-340-S0 Sanitary Floor Drain w/12"x12" Square Top, Side Outlet



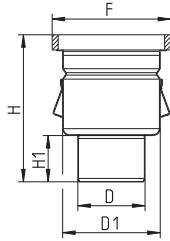
Model No.	Global Part #	Pipe Size <i>D</i>	<i>D1</i>	Top Size <i>F</i>	<i>H</i>	<i>H1</i>	<i>W1</i>	List Price
BFD-344-S0	766.403.110	3"(75)	10-1/4"(260)	12"x12"(300x300)	7-3/8"(188)	5-3/8"(136)	8-1/8"(206)	\$554.00
BFD-346-S0	766.403.160	4"(110)	10-1/4"(260)	12"x12"(300x300)	7-3/8"(188)	4-3/4"(120)	13-7/16"(341)	\$554.00

Series BFD Options (See p. 54)		
Suffix	Description	List Add
-316	Type 316 Stainless Steel	20%
-B	Sediment Basket	8x8 \$51.00 12x12 106.00
-P	Stainless Steel P-Trap	See pg. 28
-SB	Sand Bucket	8x8 \$51.00 12x12 106.00
-TPT	Trap Primer Tapping	160.00
-VP	Gate Secured w/Vandal Proof Screws	110.00

Series BFD Grating Options (See p. 52-53)		
Suffix	Description	List Add
None	1/8" Grating	Standard
-150	1/2 Grate (Standard Grating)	No Add
-175	3/4 Grate (Standard Grating)	No Add
-HG	Hygienic-Pro	\$173.00
-LG	Ladder	\$282.00
-MG	Mesh	\$ 65.00
-SG	Slot	\$194.00

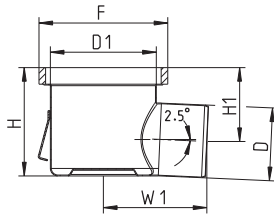
Series BFD Sanitary Floor Drains with Round Top

BFD-420 Sanitary Floor Drain w/8" Round Top, Bottom Outlet



Model No.	Global Part #	Pipe Size <i>D</i>	<i>D1</i>	Top Size <i>F</i>	<i>H</i>	<i>H1</i>	List Price
BFD-423	766.502.075	3"(75)	6"(160)	7-5/8"(195)	9-1/16"(230)	2-9/16"(65)	\$380.00
BFD-424	766.502.110	4"(110)	6"(160)	7-5/8"(195)	9-1/2"(241)	3"(76)	\$380.00

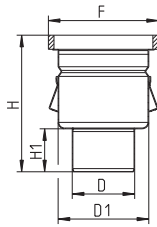
BFD-420-S0 Sanitary Floor Drain w/8" Round Top, Side Outlet



Model No.	Global Part #	Pipe Size <i>D</i>	<i>D1</i>	Top Size <i>F</i>	<i>H</i>	<i>H1</i>	<i>W1</i>	List Price
BFD-423-S0	726.502.075	3"(75)	6"(160)	7-5/8"(195)	6-7/16"(164)	5"(127)	9-15/16"(253)	\$459.00
BFD-424-S0	726.502.110	4"(110)	6"(160)	7-5/8"(195)	6-7/16"(164)	4-7/16"(112)	6-3/16"(156)	\$459.00

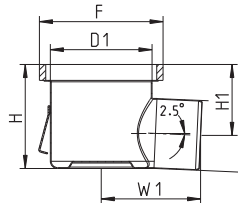
Series BFD Sanitary Floor Drains with Round Top

BFD-440 Sanitary Floor Drain w/12" Round Top, Bottom Outlet



Model No.	Global Part #	Pipe Size <i>D</i>	<i>D1</i>	Top Size <i>F</i>	<i>H</i>	<i>H1</i>	List Price
BFD-443	766.503.075	3"(75)	10-1/4"(260)	11-5/8"(295)	10-9/16"(268)	2-9/16"(65)	\$689.00
BFD-444	766.503.110	4"(110)	10-1/4"(260)	11-5/8"(295)	11"(279)	3"(76)	\$689.00
BFD-446	766.503.160	6"(160)	10-1/4"(260)	11-5/8"(295)	11-3/4"(298)	3-3/4"(95)	\$689.00

BFD-440-S0 Sanitary Floor Drain w/12" Round Top, Side Outlet



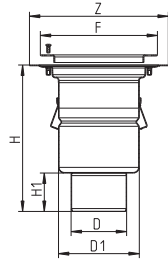
Model No.	Global Part #	Pipe Size <i>D</i>	<i>D1</i>	Top Size <i>F</i>	<i>H</i>	<i>H1</i>	<i>W1</i>	List Price
BFD-444-S0	726.503.110	4"(110)	10-1/4"(260)	11-5/8"(295)	9"(228)	6-15/16"(176)	8-1/8"(206)	\$768.00
BFD-446-S0	726.503.160	6"(160)	10-1/4"(260)	11-5/8"(295)	9"(228)	6-5/16"(160)	13-7/16"(341)	\$768.00

Series BFD Options (See p. 54)		
Suffix	Description	List Add
-316	Type 316 Stainless Steel	20%
-B	Sediment Basket	8x8 \$51.00 12x12 106.00
-P	Stainless Steel P-Trap	See pg. 28
-SB	Sand Bucket	8x8 \$51.00 12x12 106.00
-TPT	Trap Primer Tapping	160.00
-VP	Grate Secured w/Vandal Proof Screws	110.00

Series BFD Grating Options (See p. 52-53)		
Suffix	Description	List Price
None	1/8" Grating	Standard
-150	1/2 Grate (Standard Grating)	No Add
-175	3/4 Grate (Standard Grating)	No Add
-HG	Hygienic-Pro	\$173.00
-LG	Ladder	\$282.00
-MG	Mesh	\$ 65.00
-SG	Slot	\$194.00

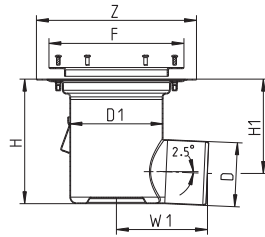
Series BFD Floor Drains with Surface Membrane Clamp

BFD-510 Floor Drain w/8" Round Top, Surface Membrane Clamp, Bottom Outlet (For Sheet Flooring)



Model No.	Global Part #	Pipe Size <i>D</i>	<i>D1</i>	Top Size <i>F</i>	<i>Z</i>	<i>H</i>	<i>H1</i>	List Price
BFD-513	760.602.075	3"(75)	6"(160)	9-1/8"(232)	10-13/16"(275)	11"(279)	2-9/16"(65)	\$440.00
BFD-514	760.602.110	4"(110)	6"(160)	9-1/8"(232)	10-13/16"(275)	11-7/16"(290)	3"(76)	\$440.00

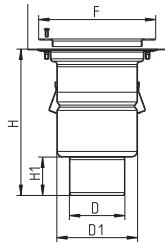
BFD-510-S0 Floor Drain w/8" Round Top, Surface Membrane Clamp, Side Outlet (For Sheet Flooring)



Model No.	Global Part #	Pipe Size <i>D</i>	<i>D1</i>	Top Size <i>F</i>	<i>Z</i>	<i>H</i>	<i>H1</i>	<i>W1</i>	List Price
BFD-513-S0	763.602.075	3"(75)	6"(160)	9-1/8"(232)	10-13/16"(275)	8-7/16"(214)	7-1/8"(181)	9-15/16"(253)	\$519.00
BFD-514-S0	763.602.110	4"(110)	6"(160)	9-1/8"(232)	10-13/16"(275)	8-7/16"(214)	6-3/8"(162)	6-3/16"(156)	\$519.00

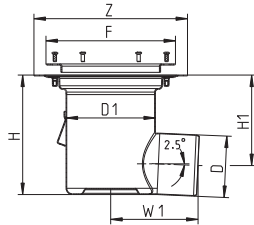
Series BFD Floor Drains with Surface Membrane Clamp

BFD-530 Floor Drain w/12" Round Top, Surface Membrane Clamp, Bottom Outlet (For Sheet Flooring)



Model No.	Global Part #	Pipe Size <i>D</i>	<i>D1</i>	Top Size <i>F</i>	<i>Z</i>	<i>H</i>	<i>H1</i>	List Price
BFD-534	760.603.110	4"(110)	10-1/4"(260)	13"(332)	14-3/4"(375)	13-1/4"(336)	3"(76)	\$749.00
BFD-536	760.603.160	6"(160)	10-1/4"(260)	13"(332)	14-3/4"(375)	14"(355)	3-3/4"(95)	\$749.00

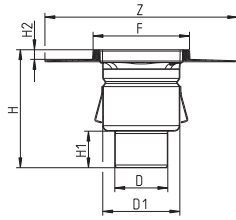
BFD-530-S0 Floor Drain w/12" Round Top, Surface Membrane Clamp, Side Outlet (For Sheet Flooring)



Model No.	Global Part #	Pipe Size <i>D</i>	<i>D1</i>	Top Size <i>F</i>	<i>Z</i>	<i>H</i>	<i>H1</i>	<i>W1</i>	List Price
BFD-534-S0	763.603.110	4"(110)	10-1/4"(260)	13"(332)	14-3/4"(375)	9-7/16"(240)	7-3/8"(188)	8-1/8"(206)	\$828.00
BFD-536-S0	763.603.160	6"(160)	10-1/4"(260)	13"(332)	14-3/4"(375)	9-7/16"(240)	6-3/4"(172)	13-7/16"(341)	\$828.00

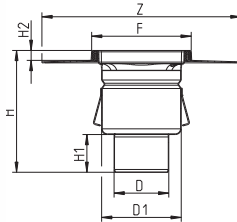
Series BFD Sanitary Floor Drains with Elastomeric Flange

BFD-550 Sanitary Floor Drain w/8"x8" Square Top, Elastomeric Flange



Model No.	Global Part #	Pipe Size <i>D</i>	<i>D1</i>	Top Size <i>F</i>	<i>Z</i>	<i>H</i>	<i>H1</i>	<i>H2</i>	List Price
BFD-553	767.402.075	3"(75)	6"(160)	8"x8"(200x200)	15-3/4"x15-3/4" (400x400)	9-3/16"(234)	2-9/16"(65)	13/16"(20)	\$438.00
BFD-554	767.402.110	4"(110)	6"(160)	8"x8"(200x200)	15-3/4"x15-3/4" (400x400)	9-5/8"(245)	3"(76)	13/16"(20)	\$438.00

BFD-560 Sanitary Floor Drain w/12"x 12" Square Top, Elastomeric Flange



Model No.	Global Part #	Pipe Size <i>D</i>	<i>D1</i>	Top Size <i>F</i>	<i>Z</i>	<i>H</i>	<i>H1</i>	<i>H2</i>	List Price
BFD-563	767.403.075	3"(75)	10-1/4"(260)	12"x12"(300x300)	19-3/4"x19-3/4" (500x500)	10-3/4"(273)	2-9/16"(65)	13/16"(20)	\$675.00
BFD-564	767.403.110	4"(110)	10-1/4"(260)	12"x12"(300x300)	19-3/4"x19-3/4" (500x500)	11-3/16"(284)	3"(76)	13/16"(20)	\$675.00
BFD-566	767.403.160	6"(160)	10-1/4"(260)	12"x12"(300x300)	19-3/4"x19-3/4" (500x500)	11-15/16"(303)	3-3/4"(95)	13/16"(20)	\$675.00

Series BFD Options (See p. 54)

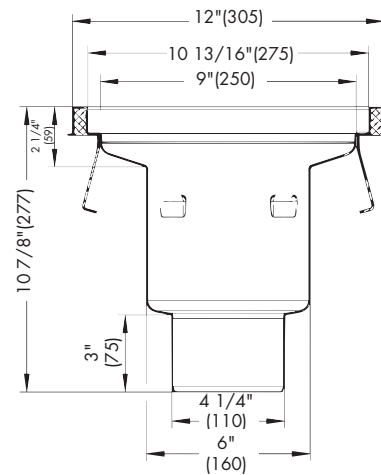
Suffix	Description	List Add
-316	Type 316 Stainless Steel	20%
-B	Sediment Basket	8x8 \$51.00 12x12 106.00
-P	Stainless Steel P-Trap	See pg. 28
-SB	Sand Bucket	8x8 \$51.00 12x12 106.00
-TPT	Trap Primer Tapping	160.00
-VP	Grate Secured w/Vandal Proof Screws	110.00

Series BFD Grating Options (See p. 52-53)

Suffix	Description	List Price
None	1/8" Grating	Standard
-150	1/2 Grate (Standard Grating)	No Add
-175	3/4 Grate (Standard Grating)	No Add
-HG	Hygienic-Pro	\$173.00
-LG	Ladder	\$282.00
-MG	Mesh	\$ 65.00
-SG	Slot	\$194.00

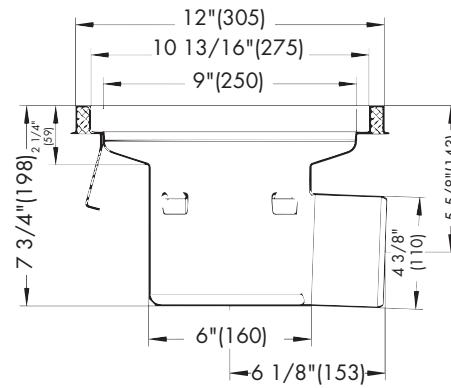
HygienicPro® Floor Drains

BFD-570 HygienicPro® Floor Drain w/12" Round Top



Model No.	Global Part #	Pipe Size D	List Price
BFD-574	755.513.110	4" (110)	\$607.00

BFD-570-S0 HygienicPro® Floor Drain w/12" Round Top, Side Outlet

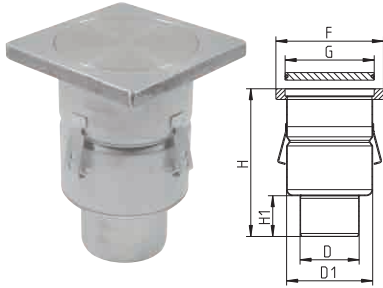


Model No.	Global Part #	Pipe Size D	List Price
BFD-574-S0	756.513.110	4" (110)	\$687.00

Series BFD Options (See p. 54)		
Suffix	Description	
-316	Type 316 Stainless Steel	20%
-B	Sediment Basket	\$106.00
-P	Stainless Steel P-Trap	See Page 28
-TPT	Trap Primer Tapping	\$160.00

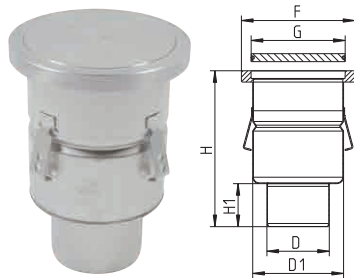
Series BFD Gastight Industrial Drains

BFD-610 Gastight Industrial Drain with Square Top



Model No.	Global Part #	Pipe Size <i>D</i>	<i>D1</i>	Top Size <i>F</i>	<i>G</i>	<i>H</i>	<i>H1</i>	List Price
BFD-613	760.452.075S	3"(75)	6"(160)	8"x8"(200x200)	6-1/2"(166)	10-13/16"(275)	3"(76)	\$1726.00
BFD-614	760.452.110S	4"(110)	6"(160)	8"x8"(200x200)	6-1/2"(166)	10-13/16"(275)	3"(76)	\$1726.00

BFD-610-R Gastight Industrial Drain with Round Top



Model No.	Global Part #	Pipe Size <i>D</i>	<i>D1</i>	Top Size <i>F</i>	<i>G</i>	<i>H</i>	<i>H1</i>	List Price
BFD-613-R	760.552.075S	3"(75)	6"(160)	8"dia.(200)	6-1/2"(166)	10-13/16"(275)	3"(76)	\$1726.00
BFD-614-R	760.552.110S	4"(110)	6"(160)	8"dia.(200)	6-1/2"(166)	10-13/16"(275)	3"(76)	\$1726.00

Series BFD Options (See p. 54)

Suffix	Description	List Add
-316	Type 316 Stainless Steel	20%
-B	Sediment Basket	\$51.00
-P	Stainless Steel P-Trap	See pg. 28
-TPT	Trap Primer Tapping	160.00

Vacuum Handles



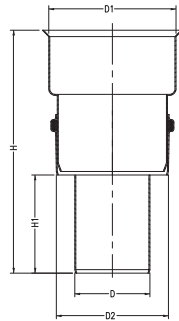
BFD-VH4

BFD-VH6

Model No.	Global Part #	Size	List Price
BFD-VH4	700.000.002	4"(110)	\$138.00
BFD-VH6	700.000.003	6"(160)	\$268.00

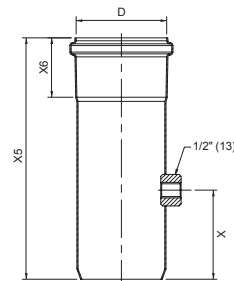
Series BFD Hub Drains/Trap Primer Adaptors

BHD-100 Hub Drain



Model No.	Global Part #	Pipe Size <i>D</i>	<i>D1</i>	<i>D2</i>	<i>H</i>	<i>H1</i>	List Price
BHD-102	N/A	2"(50)	5"(127)	4-3/8"(111)	9-3/8"(239)	3-3/4"(94)	\$168.00
BHD-103	N/A	3"(75)	5"(127)	4-3/8"(111)	9-9/16"(243)	3-7/8"(98)	\$168.00
BHD-104	N/A	4"(110)	5"(127)	4-3/8"(111)	11-9/16"(295)	5-7/8"(150)	\$168.00
BHD-106	N/A	6"(160)	8"(200)	6"(160)	13-1/16"(332)	5-7/8"(150)	\$302.00

BTPC Trap Primer Adaptor

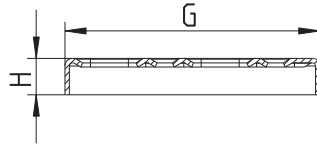


Model No.	Global Part #	<i>D</i>	<i>X</i>	<i>X5</i>	<i>X6</i>	List Price
BTPC-2-316	899-12911-07S	2"(50)	3"(75)	8"(200)	1-5/8"(41)	\$160.00
BTPC-3-316	899-12911-08S	3"(75)	3"(75)	8"(200)	2"(50)	\$160.00
BTPC-4-316	899-12911-10S	4"(110)	3"(75)	8"(200)	2-1/4"(57)	\$170.00
BTPC-6-316	899-12911-12S	6"(160)	3"(75)	8"(200)	2-7/8"(72)	\$190.00

Series BFD Square Gratings

Square Gratings

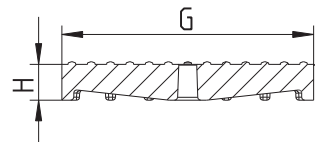
1/8" Standard Grating



Dimensional Chart

Model No.	Global Part #	G	H	Load Class
BG-8	790.168.000.03	6-5/8"x6-5/8"(168x168)	15/16"(24)	MD
BG-12	790.268.000.03	10-5/8"x10-5/8"(270x270)	15/16"(24)	MD

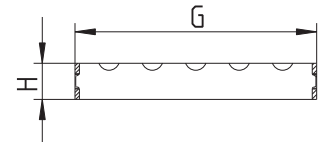
Hygienic-Pro Grating (-HG)



Dimensional Chart

Model No.	Global Part #	G	H	Load Class
BHG-8	790.168.000.60	6-5/8"x6-5/8"(168x168)	15/16"(24)	HD
BHG-12	790.268.000.60	10-5/8"x10-5/8"(270x270)	15/16"(24)	HD

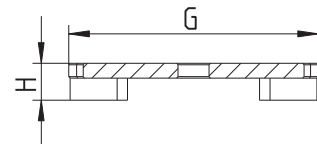
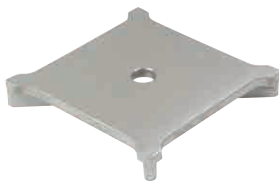
Ladder Grating (-LG)



Dimensional Chart

Model No.	Global Part #	G	H	Load Class
BLG-8	790.168.000.25	6-5/8"x6-5/8"(168x168)	15/16"(24)	XHD
BLG-12	790.268.000.25	10-5/8"x10-5/8"(270x270)	15/16"(24)	XHD

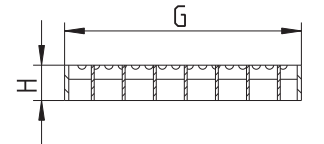
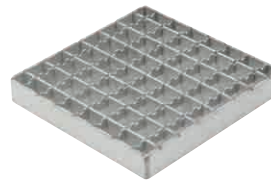
Slot Grating (-SG)



Dimensional Chart

Model No.	Global Part #	G	H	Load Class
BSG-8	790.168.000.10	6-5/8"x6-5/8"(168x168)	15/16"(24)	HD
BSG-12	790.268.000.10	10-5/8"x10-5/8"(270x270)	15/16"(24)	HD

Mesh Grating (-MG)



Dimensional Chart

Model No.	Global Part #	G	H	Load Class
BMG-8	790.168.000.22	6-5/8"x6-5/8"(168x168)	15/16"(24)	HD
BMG-12	790.268.000.22	10-5/8"x10-5/8"(270x270)	15/16"(24)	HD

Load Ratings

Load ratings are based upon maximum anticipated traffic, in accordance with American National Standards ASME A112.21.1M. See specification pages for specific load rating data.

Light Duty (LD) - Safe Live Load Under 2000 lbs.

Medium Duty (MD) - Safe Live Load 2000-4999 lbs.

Heavy Duty (HD) - Safe Live Load 5000-7499 lbs.

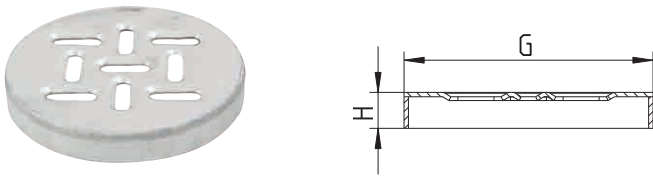
Extra Heavy Duty (XHD) - Safe Live Load Between 7500 and 10,000 lbs.

Special Duty (SD) - Safe Live Load Over 10,000 lbs.

Series BFD Round Gratings

Round Gratings

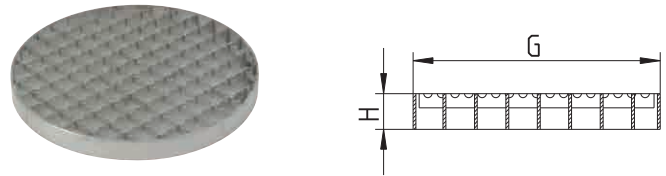
1/8" Standard Grating



Dimensional Chart

Model No.	Global Part #	G	H	Load Class
BG-8R	790.173.000.03	6-13/16"(173)	15/16"(24)	MD
BG-12R	790.273.000.03	10-3/4"(273)	15/16"(24)	MD

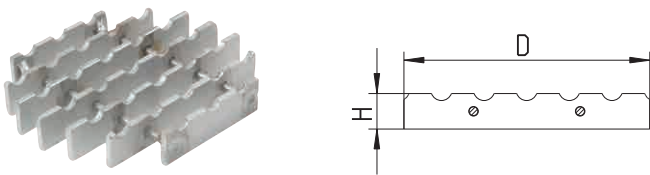
Mesh Grating (-MG)



Dimensional Chart

Model No.	Global Part #	G	H	Load Class
BMG-8R	790.173.000.22	6-13/16"(173)	15/16"(24)	HD
BMG-12R	790.273.000.22	10-3/4"(273)	15/16"(24)	HD

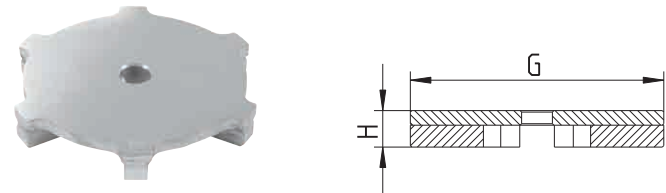
Ladder Grating (-LG)



Dimensional Chart

Model No.	Global Part #	G	H	Load Class
BLG-8R	790.173.000.25	6-13/16"(173)	15/16"(24)	XHD
BLG-12R	790.273.000.25	10-3/4"(273)	15/16"(24)	XHD

Slot Grating (-SG)



Dimensional Chart

Model No.	Global Part #	G	H	Load Class
BSG-8R	790.173.000.10	6-13/16"(173)	15/16"(24)	HD
BSG-12R	790.273.000.10	10-3/4"(273)	15/16"(24)	HD

Load Ratings

Load ratings are based upon maximum anticipated traffic, in accordance with American National Standards ASME A112.21.1M. See specification pages for specific load rating data.

Light Duty (LD) - Safe Live Load Under 2000 lbs.

Medium Duty (MD) - Safe Live Load 2000-4999 lbs.

Heavy Duty (HD) - Safe Live Load 5000-7499 lbs.

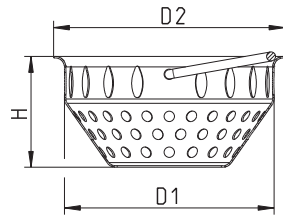
Extra Heavy Duty (XHD) - Safe Live Load Between 7500 and 10,000 lbs.

Special Duty (SD) - Safe Live Load Over 10,000 lbs.

Series BFD Options

Options

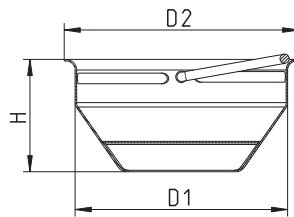
Sediment Basket (-B)



Dimensional Chart

Model No.	Global Part #	D1	H	D2	List Price
BB-1	780.107.110.05	3-1/8"(80)	3-1/2"(88)	4-1/4"(107)	\$51.00
BB-2	780.002.000.05	5-1/2"(140)	2-15/16"(74)	6-1/8"(155)	\$51.00
BB-3	780.003.000.05	9-3/8"(238)	2-15/16"(74)	10"(253)	\$51.00
BB-4	780.002.001.05	5-1/2"(140)	7/8"(22)	6"(150)	\$106.00
BB-5	780.003.001.05	9-3/8"(238)	5/8"(16)	10"(249)	\$106.00

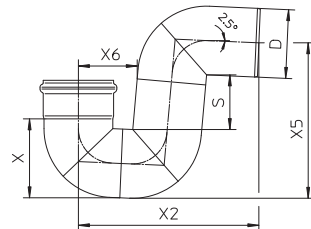
Sand Bucket (-SB)



Dimensional Chart

Model No.	Global Part #	D1	H	D2	List Price
BSB-1	780.002.000.00	5-1/2"(140)	2-15/16"(74)	6-1/8"(155)	\$51.00
BSB-2	780.003.000.00	9-3/8"(238)	2-15/16"(74)	10"(253)	\$106.00

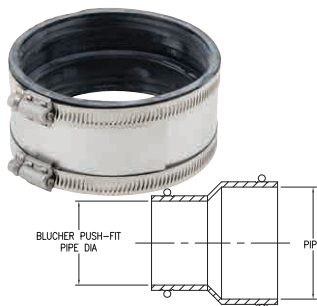
P-Trap Stainless Steel (-P)



Dimensional Chart

Model No.	Global Part #	D	S	X	X2	X5	X6	List Price
PT-2	525.090.050S	2"(50)	2-15/16"(74)	2-1/2"(63)	6-7/8"(175)	5-3/4"(145)	2-3/8"(60)	\$248.00
PT-3	525.090.075S	3"(75)	3-1/4"(81)	3-9/16"(89)	8-3/4"(222)	7-7/16"(189)	2-15/16"(74)	\$295.00
PT-4	525.090.110S	4"(110)	3-9/16"(89)	5"(126)	11-3/8"(289)	9-13/16"(249)	3-3/4"(94)	\$352.00
PT-6	525.090.160S	6"(160)	4-3/16"(105)	7"(178)	15-1/4"(388)	13-5/16"(338)	4-13/16"(121)	\$558.00

Transition Couplings

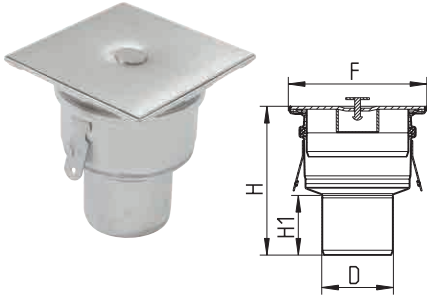


Transition Couplings

Model No. 316L	Global Part #	BLÜCHER	Cast Iron	Sch40	List Price
BTC-1.5x1.5	N/A	1.5"(40)	1.5"	1.5"	\$30.00
BTC-2x2	N/A	2"(50)	2"	2"	\$30.00
BTC-3x3-NH	N/A	3"(75)	3"		\$48.00
BTC-3x3-SCH40	N/A	3"(75)		3"	\$48.00
BTC-4x4-NH	N/A	4"(110)	4"		\$48.00
BTC-4x4-SCH40	N/A	4"(110)		4"	\$48.00
BTC-6x6-NH	N/A	6"(160)	6"		\$96.00
BTC-6x6-SCH40	N/A	6"(160)		6"	\$96.00

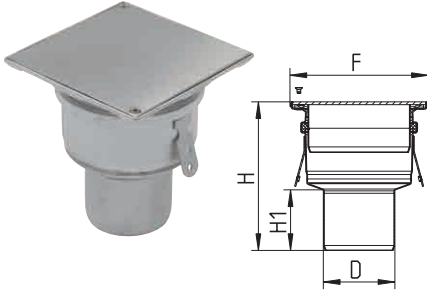
Series BCO Floor Cleanouts

BCO-110 Floor Cleanout w/Square Top, Pull Nipple



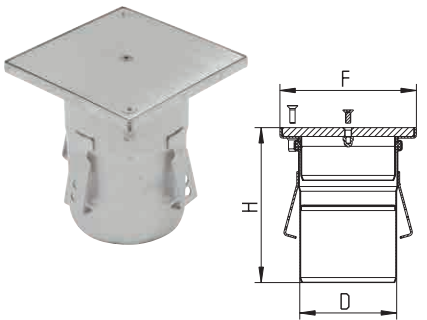
Model No.	Global Part #	Pipe Size D	Top Size F	H	H1	List Price
BCO-113	144.150.075	3"(75)	5-3/4"x5-3/4"(145x145)	6-3/16"(156)	2-1/2"(63)	\$368.00
BCO-114	144.150.110	4"(110)	5-3/4"x5-3/4"(145x145)	4-3/4"(120)	-	\$368.00
BCO-116	144.200.160	6"(160)	8"x8"(200x200)	6-1/4"(159)	-	\$642.00

BCO-120 Floor Cleanout w/Square Top for Vacuum Handle



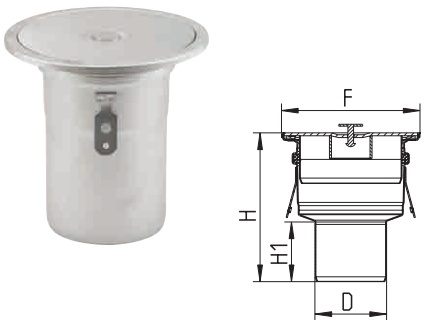
Model No.	Global Part #	Pipe Size D	Top Size F	H	H1	List Price
BCO-123	144.155.075	3"(75)	5-3/4"x5-3/4"(145x145)	6-3/16"(156)	2-1/2"(63)	\$368.00
BCO-124	144.155.110	4"(110)	5-3/4"x5-3/4"(145x145)	4-3/4"(120)	-	\$368.00
BCO-126	144.205.160	6"(160)	8"x8"(200x200)	6-1/4"(159)	-	\$642.00

BCO-130 Heavy Duty Floor Cleanout w/Square Top for Vacuum Handle



Model No.	Global Part #	Pipe Size D	Top Size F	H Adjustable	List Price
BCO-134	144.155.110.10	4"(110)	6-1/8"x 6-1/8"(155x155)	6-15/16"(176)	\$448.00
BCO-136	144.205.160.10	6"(160)	8"x 8"(200x200)	6-5/16"(160)	\$722.00

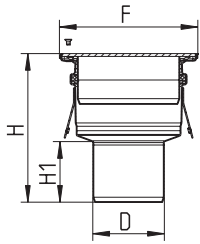
BCO-140 Floor Cleanout w/Round Top, Pull Nipple



Model No.	Global Part #	Pipe Size D	Top Size F	H	H1	List Price
BCO-143	S199-13488-04-S	3"(75)	7-1/8"(180)	6"(156)	2-1/2"(63)	\$368.00
BCO-144	S199-13488-01-S	4"(110)	7-1/8"(180)	7-1/8"(181)	-	\$368.00

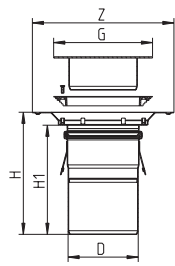
Series BCO Floor Cleanouts

BCO-150 Floor Cleanout w/Round Top for Vacuum Handle



Model No.	Global Part #	Pipe Size <i>D</i>	Top Size <i>F</i>	<i>H</i>	<i>H1</i>	List Price
BCO-153	S199-13488-05-S	3"(75)	7-1/8"(180)	6"(156)	2-1/2"(63)	\$368.00
BCO-154	S199-13488-02-S	4"(110)	7-1/8"(180)	7-1/8"(181)	-	\$368.00

BCO-220 Floor Cleanout w/Surface Membrane Clamp for Vacuum Handle (For Sheet Flooring)



Model No.	Global Part #	Pipe Size <i>D</i>	Top Size <i>Z</i>	<i>G</i>	<i>H</i>	<i>H1</i>	List Price
BCO-224	244.155.110	4"(110)	8-3/4"(222)	6-1/8"(155)	7-9/16"(192)	6-3/4"(171)	\$480.00

Series BCO Options		
Suffix	Description	List Add
-316	Type 316 Stainless Steel	20%

Vacuum Handles



BFD-VH4

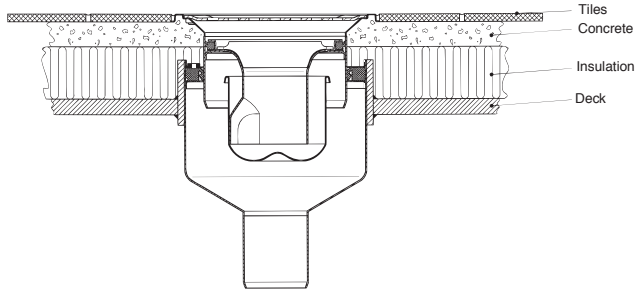


BFD-VH6

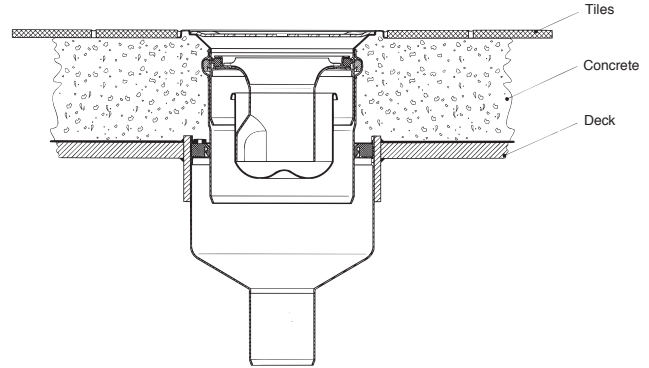
Model No.	Global Part #	Size	List Price
BFD-VH4	700.000.002	4"(110)	\$138.00
BFD-VH6	700.000.003	6"(160)	\$268.00

Installation examples

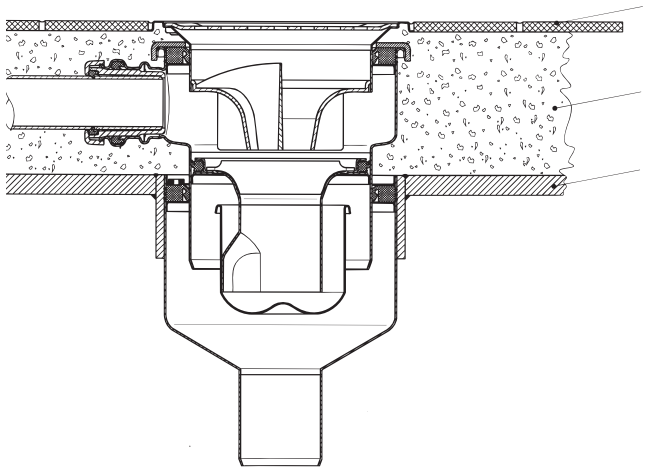
Tiled deck incl. water trap



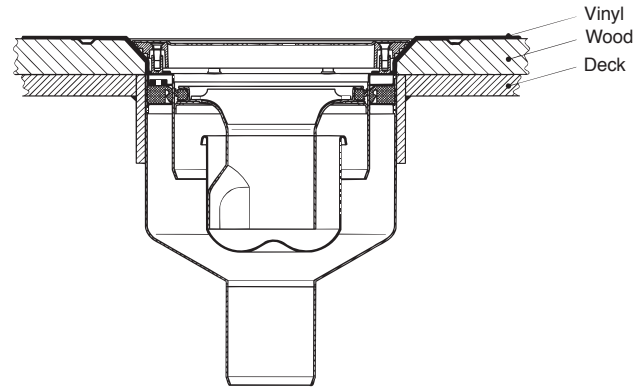
Tiled deck incl. water trap and extension pipe



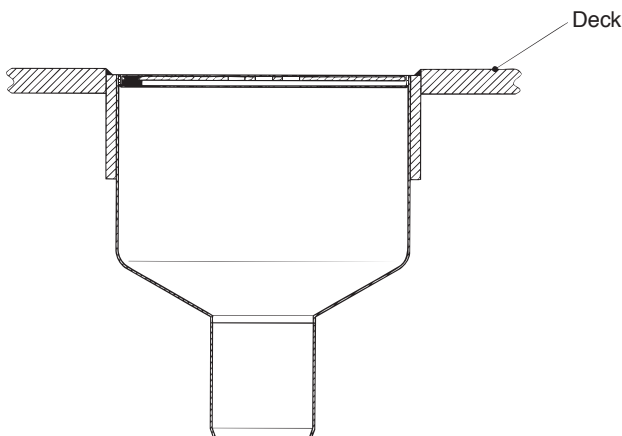
Tiled deck incl. water trap and side inlets



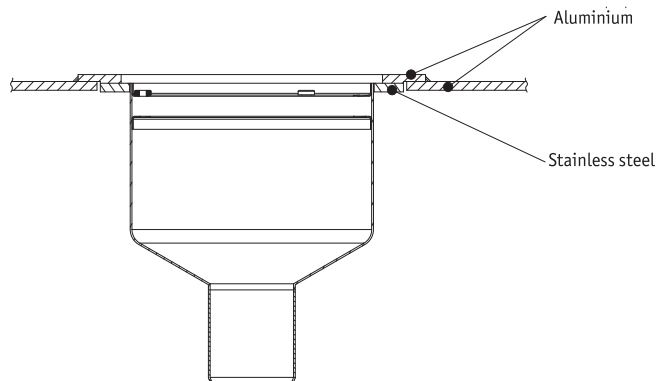
Vinyl deck incl. water trap



Steel deck

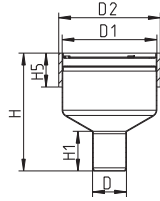


Aluminium deck



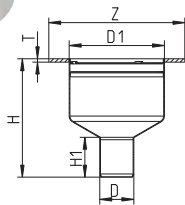
Marine Drains Lower Parts

Lower Part for Steel Deck with Welding Sleeve



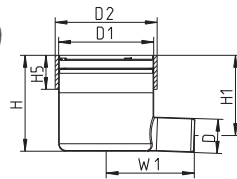
Model No. 316L / Global Part #	Pipe Size <i>D</i>	<i>D1</i>	<i>H</i>	<i>H1</i>	<i>H5</i>	<i>D2</i>	List Price
470.000.050S	2"(50)	5-1/2"(140)	6-7/8"(174)	2-1/4"(58)	2"(50)	5-7/8"(150)	\$456.00
470.000.075S	3"(75)	5-1/2"(140)	6-3/4"(172)	2-1/2"(63)	2"(50)	5-7/8"(150)	\$456.00
470.000.110S	4"(110)	5-1/2"(140)	5-3/4"(146)	2-15/16"(75)	2"(50)	5-7/8"(150)	\$456.00

Lower Part for Steel Deck with Welding Flange



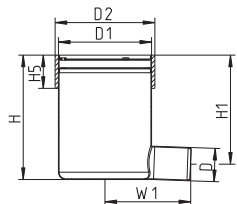
Model No. 316L / Global Part #	Pipe Size <i>D</i>	<i>D1</i>	<i>Z</i>	<i>H</i>	<i>H1</i>	<i>T</i>	List Price
470.200.050S	2"(50)	5-1/2"(140)	7-7/8"(200)	6-7/8"(174)	2-1/4"(58)	3/16"(5)	\$456.00
470.200.075S	3"(75)	5-1/2"(140)	7-7/8"(200)	6-3/4"(172)	2-1/2"(63)	3/16"(5)	\$456.00
470.200.110S	4"(110)	5-1/2"(140)	7-7/8"(200)	5-9/16"(141)	2-15/16"(75)	3/16"(5)	\$456.00

Lower Part for Steel Deck with Side Outlet with Welding Sleeve



Model No. 316L / Global Part #	Pipe Size <i>D</i>	<i>D1</i>	<i>H</i>	<i>H1</i>	<i>H5</i>	<i>W1</i>	<i>D2</i>	List Price
475.000.050S	2"(50)	5-1/2"(140)	5-1/2"(140)	4-5/8"(117)	2"(50)	5-1/16"(129)	5-7/8"(150)	\$612.00
475.000.075S	3"(75)	5-1/2"(140)	5-1/2"(140)	5-1/4"(134)	2"(50)	4-1/8"(105)	5-7/8"(150)	\$612.00

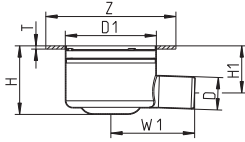
Lower Part for Steel Deck with Deep Side Outlet with Welding Sleeve



Model No. 316L / Global Part #	Pipe Size <i>D</i>	<i>D1</i>	<i>H</i>	<i>H1</i>	<i>H5</i>	<i>W1</i>	<i>D2</i>	List Price
475.100.050S	2"(50)	5-1/2"(140)	7-3/8"(187)	6-7/16"(164)	2"(50)	5-1/16"(129)	5-7/8"(150)	\$612.00

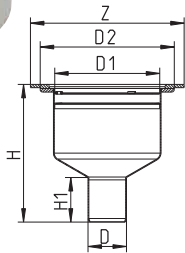
Marine Drains Lower Parts

Lower Part for Steel Deck with Side Outlet with Welding Flange



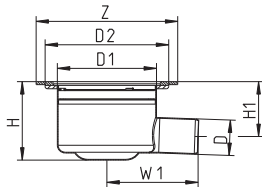
Model No. 316L / Global Part #	Pipe Size <i>D</i>	<i>D1</i>	<i>Z</i>	<i>H</i>	<i>H1</i>	<i>W1</i>	<i>T</i>	List Price
475.200.050S	2"(50)	5-1/2"(140)	7-7/8"(200)	4-3/16" (106)	2-13/16" (72)	5-1/16"(129)	3/16"(5)	\$481.00
475.200.075S	3"(75)	5-1/2"(140)	7-7/8"(200)	4-3/16" (106)	2-13/16" (71)	5-1/4"(134)	3/16"(5)	\$481.00

Lower Part for Aluminum Deck with Bi-Metal Welding Flange



Model No. 316L / Global Part #	Pipe Size <i>D</i>	<i>D1</i>	<i>Z</i>	<i>H</i>	<i>H1</i>	<i>D2</i>	List Price
480.200.050S	2"(50)	5-1/2"(140)	7-7/8"(200)	7-1/16"(179)	2-1/4"(58)	6-7/8"(175)	\$1220.00
480.200.075S	3"(75)	5-1/2"(140)	7-7/8"(200)	7"(177)	2-1/2"(63)	6-7/8"(175)	\$1220.00
480.200.110S	4"(110)	5-1/2"(140)	7-7/8"(200)	5-15/16"(151)	2-15/16"(75)	6-7/8"(175)	\$1220.00

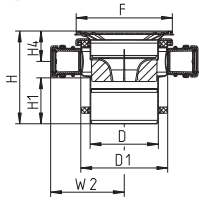
Lower Part for Aluminum Deck with Side Outlet with Bi-Metal Welding Flange



Model No. 316L / Global Part #	Pipe Size <i>D</i>	<i>D1</i>	<i>Z</i>	<i>H</i>	<i>H1</i>	<i>W1</i>	<i>D2</i>	List Price
485.200.050S	2"(50)	5-1/2"(140)	7-7/8"(200)	4-3/8"(111)	3-1/16"(78)	5-1/16" (128)	6-7/8" (175)	\$1390.00
485.200.075S	3"(75)	5-1/2"(140)	7-7/8"(200)	4-3/8"(111)	3"(76)	5-1/4" (133)	6-7/8" (175)	\$1390.00

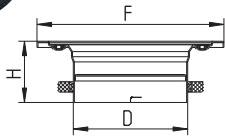
Marine Drains Upper Parts

Upper Part for Tiled or Wood Floors with Side Inlets



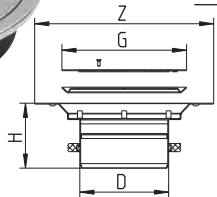
Model No. 316L / Global Part #	Pipe Size <i>D</i>	<i>D1</i>	<i>F</i>	<i>H</i>	<i>H1</i>	<i>H4</i>	<i>W2</i>	List Price
471.300.110S	4"(110)	5-1/2" (140)	6-1/8"x6-1/8" (155x155)	5-7/8"-6-15/16" (150-160)	2-7/8" (74)	1-15/16"-2-5/16" (49-59)	4-11/16" (119)	\$560.00

Upper Part for Resin Floors



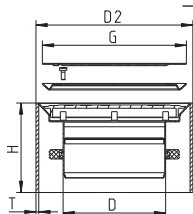
Model No. 316L / Global Part #	Pipe Size <i>D</i>	<i>F</i>	<i>H</i>	List Price
472.320.110S	4"(110)	7-1/16"(180)	2-5/16"(59)	\$346.00

Upper Part with Surface Membrane Clamp for Vinyl Floors



Model No. 316L / Global Part #	Pipe Size <i>D</i>	<i>Z</i>	<i>G</i>	<i>H</i>	List Price
473.301.110S	4"(110)	8-3/4"(222)	6-1/8"(155)	3-3/16"(81)	\$190.00

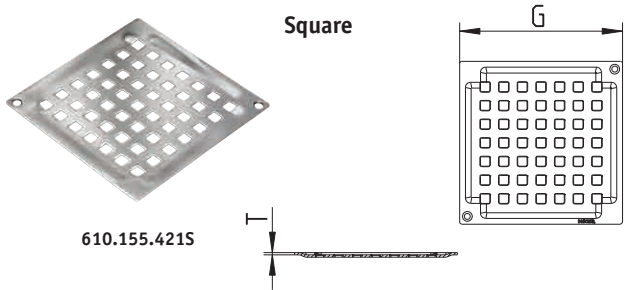
Upper Part with Welding Sleeve for Vinyl Floors



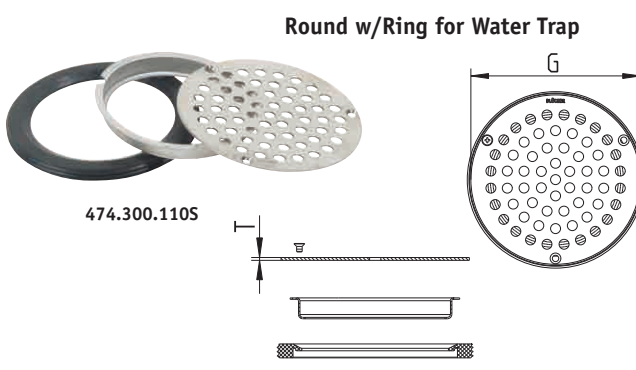
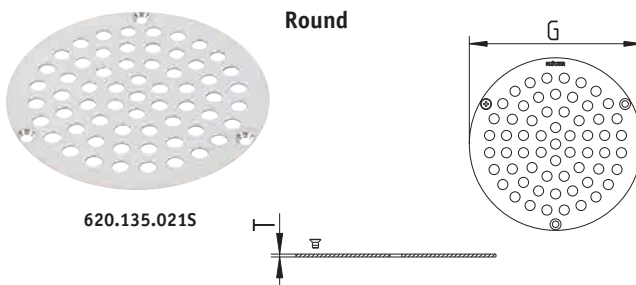
Model No. 316L / Global Part #	Pipe Size <i>D</i>	<i>G</i>	<i>H</i>	<i>D2</i>	<i>T</i>	List Price
472.320.110S	4"(110)	6-1/8"(155)	3-3/4"(96)	6-5/8"(168)	1/8"(3)	\$478.00

Marine Drains Replacement Gratings/Water Traps

Replacement Gratings — Square, Round, Round w/Ring for Water Trap



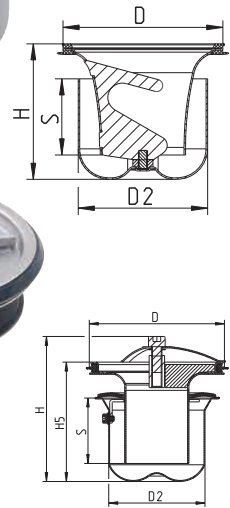
Model No. 316L / Global Part #	Pipe Size <i>G</i>	<i>T</i>	Screws	List Price
610.155.421S	5-1/2"(140)	1/16"(2)	2	\$80.00
620.135.021S	5-5/16"(135)	1/16"(2)	3	\$80.00
474.300.110S	5-5/16"(135)	1/16"(2)	3	\$142.00



Water Traps — Two-Part Trap, Removable Multi Trap



Model No. 316L / Global Part #	Pipe Size <i>D</i>	<i>H</i>	<i>H5</i>	<i>S</i>	<i>D2</i>	Max Flow GPM (l/s)	List Price
502.050.110MS	4-1/4"(108)	3-1/2"(89)	2"(50)	3-3/8"(85)		27(1.7)	\$128.00
503.000.110CR	4-1/4"(108)	4-7/16"(113)	5-11/16"(93)	2"(51)	2-15/16"(75)	19(1.2)	\$320.00



Pre-sloped linear drainage for commercial and industrial applications



WaterLine Shower/Washroom Channel Trench Drain Kitchen Channel

Sanitary Applications

- Industrial manufacturing
- Medical facilities
- Hotels and resorts
- Commercial kitchens
- Supermarkets, restaurants, airports, etc.

Special Applications

- Chemical or biohazard environments
- Rubberized or epoxy flooring

Specifications

- 12 ga. (2mm) stainless steel AISI 304 or 316L
- Pre-sloped with longitudinal and cross fall
- ANSI load classifications Light Duty to Extra Heavy Duty
- IAPMO and/or NSF listed

Pictorial Index



BWC-100
WaterLine Shower Channel



BWS-200
Shower Channel
w/Surface Membrane Clamp



BT6 Series
6" Wide Trench Drain



BTV6 Series
6" Wide Trench Drain
w/Surface Membrane Clamp



BT12 Series
12" Wide Trench Drain



BHG Series
HygienicPro® Channel



BTS Series
Slot Channel



BKC-100
16"x16" Kitchen Channel



BKC-200
16"x32" Kitchen Channel



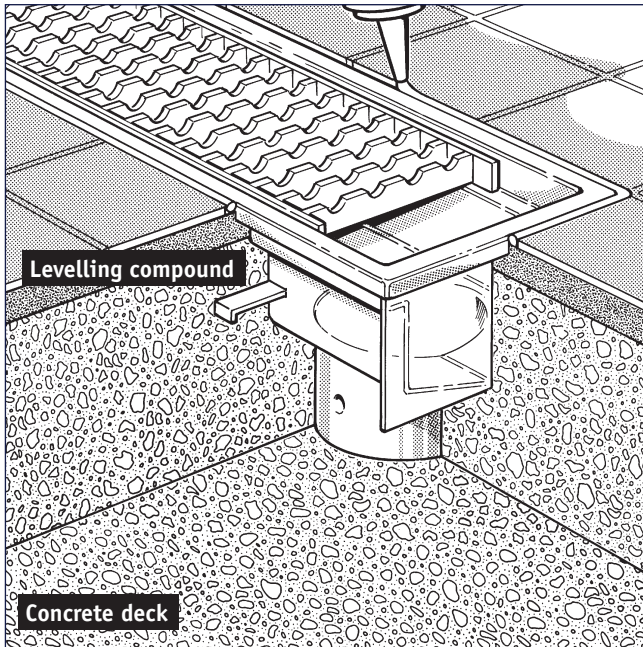
BKC-300
20"x20" Kitchen Channel



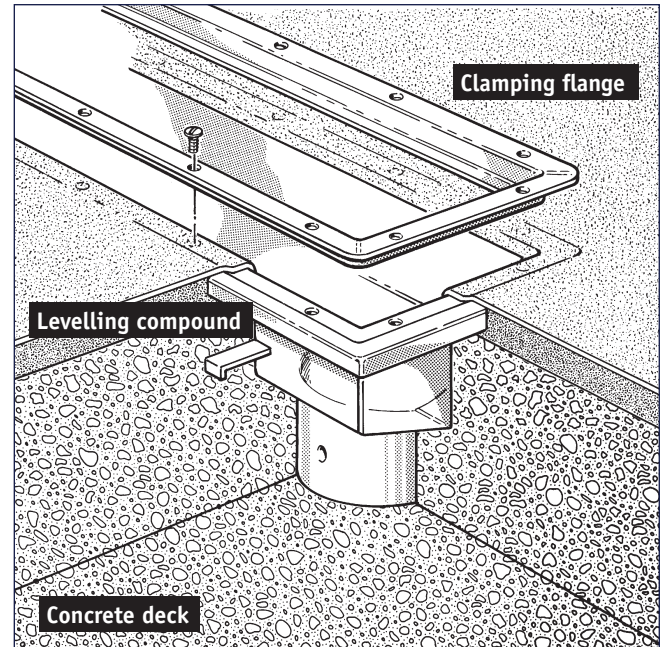
BKC-400
20"x40" Kitchen Channel

Installation examples

Tiled concrete

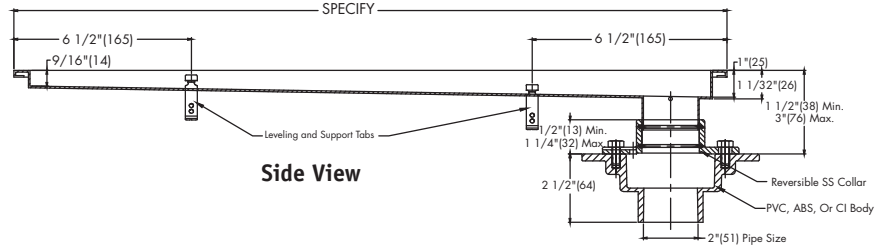
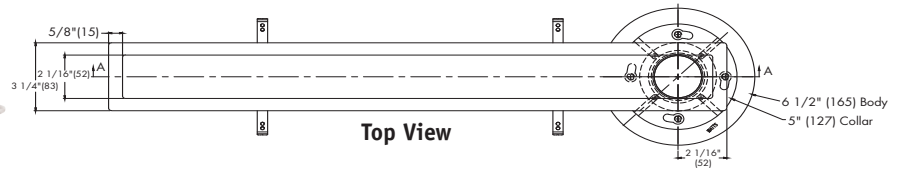


Sheet flooring





WaterLine Channels

BWC-100 WaterLine Shower/Washroom Channel with Membrane Clamp

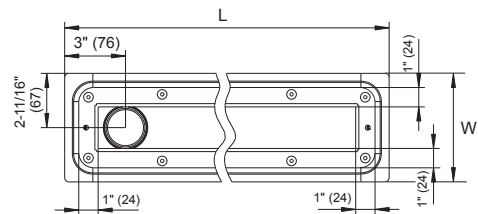
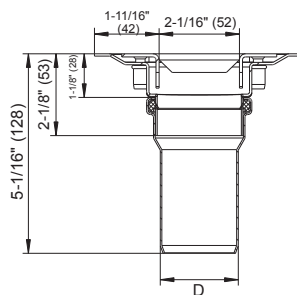


Model No.	Pipe Size	Top Size W x L	List Price
BWC-126	2" (50) No Hub	3-1/4"x26" (82x660)	\$690.00
BWC-130	2" (50) No Hub	3-1/4"x30" (82x762)	\$740.00
BWC-136	2" (50) No Hub	3-1/4"x36" (82x914)	\$800.00
BWC-142	2" (50) No Hub	3-1/4"x42" (82x1067)	\$870.00
BWC-148	2" (50) No Hub	3-1/4"x48" (82x1220)	\$950.00
BWC-160	2" (50) No Hub	3-1/4"x60" (82x1524)	\$1120.00
BWC-172	2" (50) No Hub	3-1/4"x72" (82x1829)	\$1290.00

Optional Connections:		
-60	2" (50)	PVC Socket
-61	2" (50)	ABC Socket
-THD	2" (50)	Threaded

Optional Gratings			
	Suffix	Description	
	-C	Copenhagen	<input type="checkbox"/>
	-Q	Custom (Specify - 100pc Minimum)	<input type="checkbox"/>

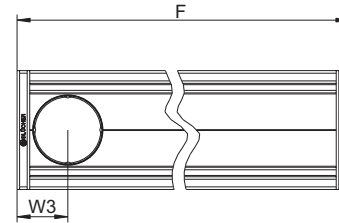
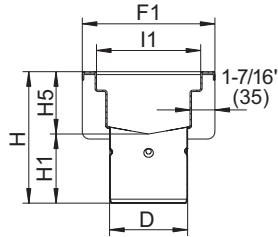
BWS-200 WaterLine Channel w/Surface Clamp (for Sheet Flooring)



Model No.	Pipe Size D	Top Size W x L	List Price
BWS-228	2" (50)	5-3/8"x27-1/2" (135x700)	\$880.00
BWS-232	2" (50)	5-3/8"x31-1/2" (135x800)	\$960.00
BWS-236	2" (50)	5-3/8"x35-1/2" (135x900)	\$1040.00
BWS-240	2" (50)	5-3/8"x39-1/2" (135x1000)	\$1120.00

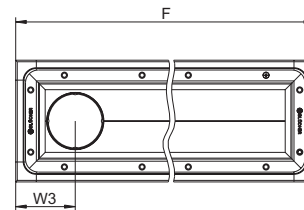
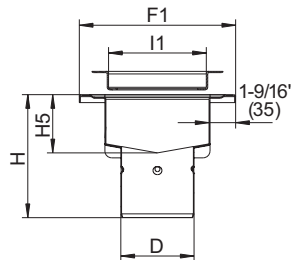
BT6 Series Trench Drains

BT6 6" Wide Trench Pre-Sloped Trench Drain with Mesh Grating



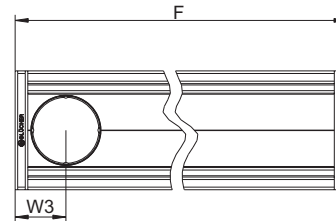
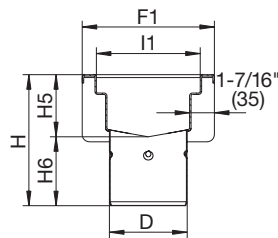
Model No.	Global Part #	Pipe Size D	Length F	F1	H	H1	H5	I1	W3	List Price
BT6	670 Series	Specify	Specify	7-3/8"(187)	7-3/8"(186)	3-13/16"(96)	3-9/16"(90)	5-13/16"(147)	3-13/16"(80)	\$380.00/ft.

BTV6 6" Wide Pre-Sloped Trench Drain w/Surface Clamp & Mesh Grating (For Sheet Flooring)



Model No.	Global Part #	Pipe Size D	Length F	F1	H	H5	I1	W3	List Price
BTV6	672 Series	Specify	Specify	9-1/4"(235)	7-3/8"(186)	3-9/16"(90)	5-13/16"(147)	4-9/16"(115)	\$580.00/ft.

BT12 12" Wide Trench Pre-Sloped Trench Drain with Mesh Grating



Model No.	Global Part No.	Pipe Size D	Length F	F1	H	H5	H6	I1	W3	List Price
BT12	670 Series	Specify	Specify	13-1/4"(337)	7-9/16"(192)	4"(102)	3-9/16"(90)	11-11/16"(297)	4-3/16"(105)	\$720.00/ft.

Series BT6 Series Grating Options

Suffix	Description	List Price
-HG	Hygienic-Pro	160.00/ft.
-LG	Ladder	120.00/ft.
-SG	Slot	180.00/ft.
-XLG	Extra Heavy Duty Ladder	160.00/ft.
-SH	Shower	No Add

BT6/BT12 Series Options

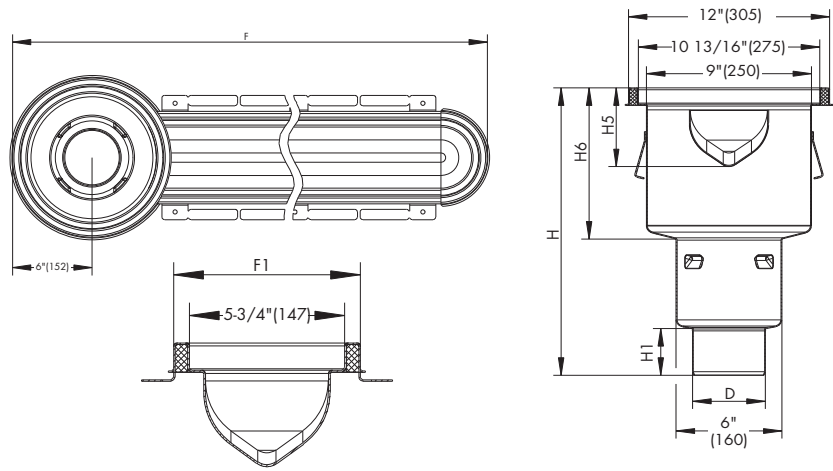
Suffix	Description	List Price
-316	Type 316 Stainless Steel	20%
-B	Sediment Basket	\$51.00
-FC	Outlet w/Membrane Clamp	180.00
-LD	Grate Locking Device	10.00/ft.
-P	Stainless Steel P-Trap	352.00

BT12 Series Grating Options

Suffix	Description	List Price
-SG	Slot	\$260.00/ft.
-XLG	Extra Heavy Duty Ladder	220.00/ft.

BHG Series Channel

BHG HygienicPro® Channel

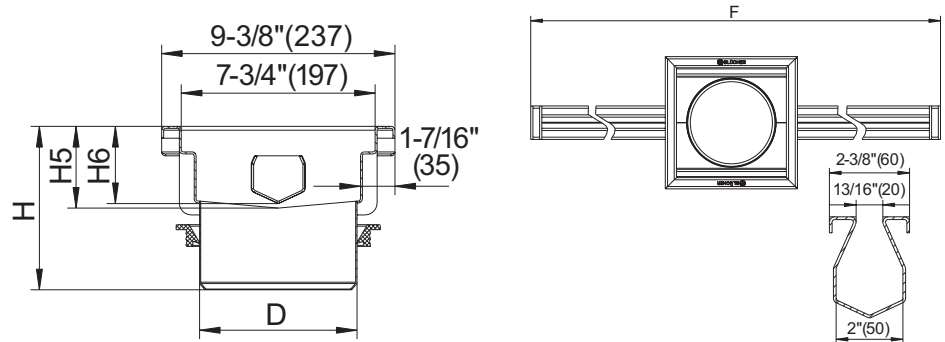


Model No.	Global Part No.	Pipe Size <i>D</i>	Length <i>F</i>	<i>F1</i>	<i>H</i>	<i>H1</i>	<i>H5</i>	<i>H6</i>	List Price
BHG Series	676CC	4"(110)	Specify	7"(177)	10-7/8"(277)	3"(75)	5"(126)	6-5/16"(160)	\$540.00/ft. + 607.00/Outlet

Series BHG Options		
Suffix	Description	List Price
-316	Type 316 Stainless Steel	20%
-B	Sediment Basket	\$106.00
-CO	Center Outlet	No Add
-P	Stainless Steel P-Trap	352.00

BTS Series Slot Channel w/Outlet Box

BTS Slot Channel w/Outlet Box



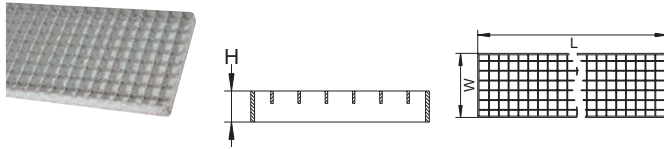
Model No.	Global Part #	Pipe Size <i>D</i>	Length <i>F</i>	<i>H</i>	<i>H5</i>	<i>H6</i>	List Price
BTS	673 Series	Specify	Specify	6-9/16"(166)	3-3/8"(85)	3-1/8"(78)	\$360.00 list/ft. + 420.00/Outlet Box

BTS Series Options		
Suffix	Description	List Price
-316	Type 316 Stainless Steel	20%
-B	Sediment Basket	\$51.00
-LB	Less Outlet Box	Deduct 420.00
-P	Stainless Steel P-Trap	352.00

BT Series Trench Drain Gratings

Trench Drain Gratings

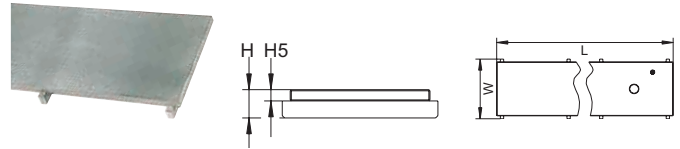
Mesh Grating (Standard)



Dimensional Chart

Model No.	Global Part #	L	W	H	Load Class
BTG-M6	696.223.144.49	19-5/8"(500)	5-3/4"(145)	1"(25)	HD
BTG-M8	696.223.194.49	19-5/8"(500)	7-11/16"(195)	1"(25)	HD
BTG-M12	696.223.294.49	19-5/8"(500)	11-5/8"(295)	1"(25)	MD

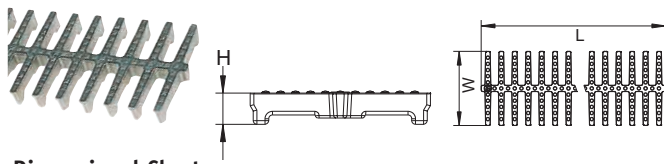
Slot Grating (-SG)



Dimensional Chart

Model No.	Global Part #	L	W	H	H5	Load Class
BTG-S6	697.200.150.49	19-5/8"(500)	5-3/4"(145)	1"(25)	7/16"(10)	XHD
BTG-S8	697.200.200.50	19-5/8"(500)	7-11/16"(195)	1"(25)	7/16"(10)	XHD

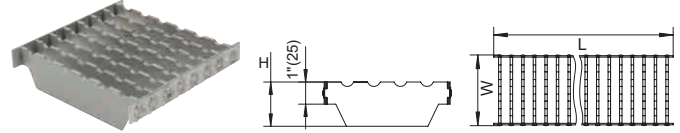
Hygienic-Pro Grating (-HG)



Dimensional Chart

Model No.	Global Part #	L	W	H	Load Class
BTG-H6	697.250.150.50	19-5/8"(500)	5-3/4"(145)	1"(25)	HD
BTG-H8	697.250.200.50	19-5/8"(500)	7-11/16"(195)	1"(25)	HD

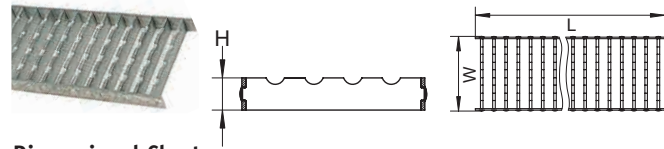
Extra Heavy Duty Ladder Grating (-XLG)



Dimensional Chart

Model No.	Global Part #	L	W	H	Load Class
BTG-XL6	697.150.150.50	19-5/8"(500)	5-3/4"(145)	2"(50)	XHD
BTG-XL8	697.150.200.50	19-5/8"(500)	7-11/16"(195)	2"(50)	XHD
BTG-XL12	697.150.300.50	19-5/8"(500)	11-5/8"(295)	2"(50)	XHD

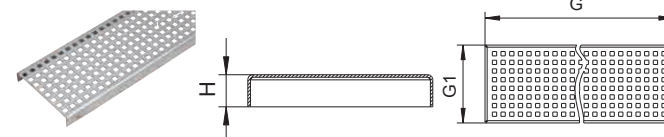
Ladder Grating (-LG)



Dimensional Chart

Model No.	Global Part #	L	W	H	Load Class
BTG-L6	697.125.150.50	19-5/8"(500)	5-3/4"(145)	1"(25)	XHD
BTG-L8	697.125.200.50	19-5/8"(500)	7-11/16"(195)	1"(25)	XHD

Shower Grating (-SH)



Dimensional Chart

Model No.	Global Part #	L	W	H	Load Class
BT6-SH6	697.015.150.99	39-1/4"(998)	5-3/4"(145)	1"(25)	LD

Load Ratings

Load ratings are based upon maximum anticipated traffic, in accordance with American National Standards ASME A112.21.1M. See specification pages for specific load rating data.

Light Duty (LD) - Safe Live Load Under 2000 lbs.

Medium Duty (MD) - Safe Live Load 2000-4999 lbs.

Heavy Duty (HD) - Safe Live Load 5000-7499 lbs.

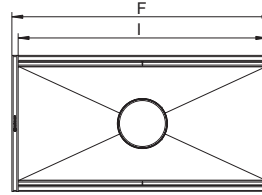
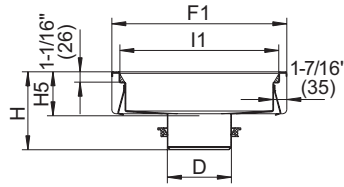
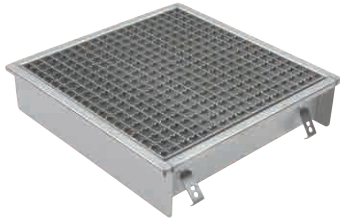
Extra Heavy Duty (XHD) - Safe Live Load Between 7500 and 10,000 lbs.

Special Duty (SD) - Safe Live Load Over 10,000 lbs.

POA - Price On Application

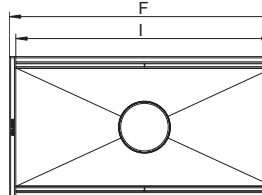
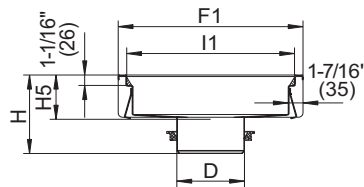
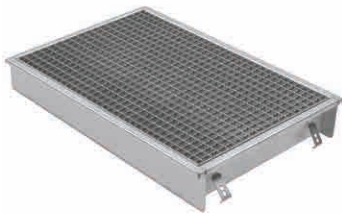
BKC Series Kitchen Channel

BKC-100 16"x16" (400x400) Kitchen Channel with Mesh Grating



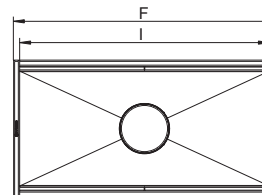
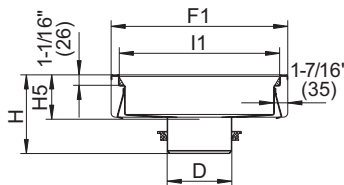
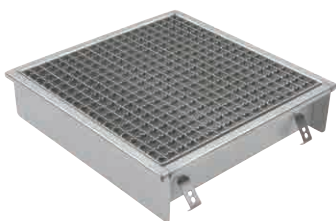
Model No.	Global Part #	Pipe Size D	F	F1	H	Depth H5	I	I1	List Price
BKC-104-2	660FH004-06.22	4"(110)	17-3/16"(437)	17-3/16"(437)	6-7/16"(163)	2-3/8"(60)	15-5/8"(397)	15-5/8"(397)	\$800.00
BKC-104-4	660FH004-11.22	4"(110)	17-3/16"(437)	17-3/16"(437)	8-3/8"(213)	4-5/16"(110)	15-5/8"(397)	15-5/8"(397)	\$860.00
BKC-104-6	660FH004-15.22	4"(110)	17-3/16"(437)	17-3/16"(437)	10"(253)	5-7/8"(150)	15-5/8"(397)	15-5/8"(397)	\$920.00
BKC-106-2	660FK004-06.22	6"(160)	17-3/16"(437)	17-3/16"(437)	5-11/16"(145)	2-3/8"(60)	15-5/8"(397)	15-5/8"(397)	\$800.00
BKC-106-4	660FK004-11.22	6"(160)	17-3/16"(437)	17-3/16"(437)	7-11/16"(195)	4-5/16"(110)	15-5/8"(397)	15-5/8"(397)	\$860.00
BKC-106-6	660FK004-15.22	6"(160)	17-3/16"(437)	17-3/16"(437)	9-1/4"(235)	5-7/8"(150)	15-5/8"(397)	15-5/8"(397)	\$920.00

BKC-200 16"x32" (400x800) Kitchen Channel with Mesh Grating



Model No.	Global Part #	Pipe Size D	F	F1	H	Depth H5	I	I1	List Price
BKC-204-2	660FH008-06.22	4"(110)	33"(837)	17-3/16"(437)	6-7/16"(163)	2-3/8"(60)	31-3/8"(797)	15-5/8"(397)	\$1230.00
BKC-204-4	660FH008-11.22	4"(110)	33"(837)	17-3/16"(437)	8-3/8"(213)	4-5/16"(110)	31-3/8"(797)	15-5/8"(397)	\$1290.00
BKC-204-6	660FH008-15.22	4"(110)	33"(837)	17-3/16"(437)	10"(253)	5-7/8"(150)	31-3/8"(797)	15-5/8"(397)	\$1350.00
BKC-206-2	660FK008-06.22	6"(160)	33"(837)	17-3/16"(437)	5-11/16"(145)	2-3/8"(60)	31-3/8"(797)	15-5/8"(397)	\$1230.00
BKC-206-4	660FK008-11.22	6"(160)	33"(837)	17-3/16"(437)	7-11/16"(195)	4-5/16"(110)	31-3/8"(797)	15-5/8"(397)	\$1290.00
BKC-206-6	660FK008-15.22	6"(160)	33"(837)	17-3/16"(437)	9-1/4"(235)	5-7/8"(150)	31-3/8"(797)	15-5/8"(397)	\$1350.00

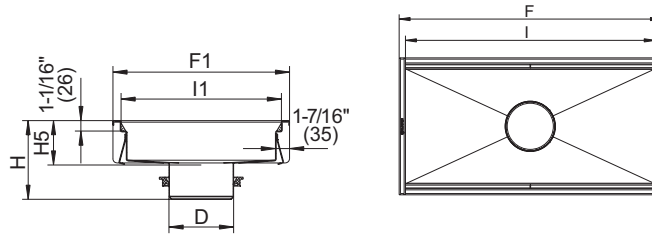
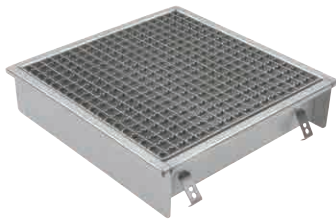
BKC-300 20"x20" (500x500) Kitchen Channel with Mesh Grating



Model No.	Global Part #	Pipe Size D	F	F1	H	Depth H5	I	I1	List Price
BKC-304-2	660GH005-06.22	4"(110)	21-1/8"(537)	21-1/8"(537)	6-7/16"(163)	2-3/8"(60)	19-9/16"(497)	19-9/16"(497)	\$1010.00
BKC-304-4	660GH005-11.22	4"(110)	21-1/8"(537)	21-1/8"(537)	8-3/8"(213)	4-5/16"(110)	19-9/16"(497)	19-9/16"(497)	\$1070.00
BKC-304-6	660GH005-15.22	4"(110)	21-1/8"(537)	21-1/8"(537)	10"(253)	5-7/8"(150)	19-9/16"(497)	19-9/16"(497)	\$1130.00
BKC-306-2	660GK005-06.22	6"(160)	21-1/8"(537)	21-1/8"(537)	5-11/16"(145)	2-3/8"(60)	19-9/16"(497)	19-9/16"(497)	\$1010.00
BKC-306-4	660GK005-11.22	6"(160)	21-1/8"(537)	21-1/8"(537)	7-11/16"(195)	4-5/16"(110)	19-9/16"(497)	19-9/16"(497)	\$1070.00
BKC-306-6	660GH005-15.22	6"(160)	21-1/8"(537)	21-1/8"(537)	9-1/4"(235)	5-7/8"(150)	19-9/16"(497)	19-9/16"(497)	\$1130.00

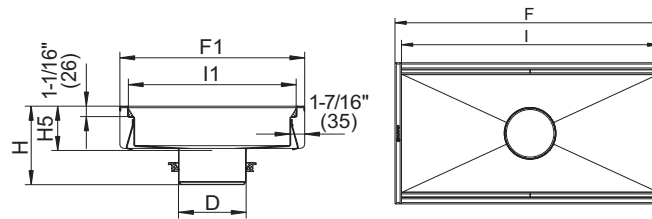
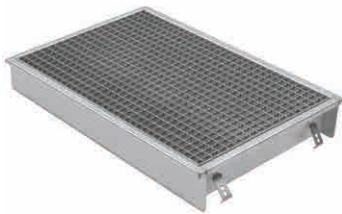
BKC Series Kitchen Channel

BKC-300 20"x20" (500x500) Kitchen Channel with Mesh Grating



Model No.	Global Part #	Pipe Size D	F	F1	H	Depth H5	I	I1	List Price
BKC-304-2	660GH005-06.22	4"(110)	21-1/8"(537)	21-1/8"(537)	6-7/16"(163)	2-3/8"(60)	19-9/16"(497)	19-9/16"(497)	\$1010.00
BKC-304-4	660GH005-11.22	4"(110)	21-1/8"(537)	21-1/8"(537)	8-3/8"(213)	4-5/16"(110)	19-9/16"(497)	19-9/16"(497)	\$1070.00
BKC-304-6	660GH005-15.22	4"(110)	21-1/8"(537)	21-1/8"(537)	10"(253)	5-7/8"(150)	19-9/16"(497)	19-9/16"(497)	\$1130.00
BKC-306-2	660GK005-06.22	6"(160)	21-1/8"(537)	21-1/8"(537)	5-11/16"(145)	2-3/8"(60)	19-9/16"(497)	19-9/16"(497)	\$1010.00
BKC-306-4	660GK005-11.22	6"(160)	21-1/8"(537)	21-1/8"(537)	7-11/16"(195)	4-5/16"(110)	19-9/16"(497)	19-9/16"(497)	\$1070.00
BKC-306-6	660GH005-15.22	6"(160)	21-1/8"(537)	21-1/8"(537)	9-1/4"(235)	5-7/8"(150)	19-9/16"(497)	19-9/16"(497)	\$1130.00

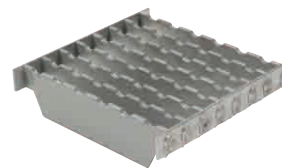
BKC-400 20"x40" (500x1000) Kitchen Channel with Mesh Grating



Model No.	Global Part #	Pipe Size D	F	F1	H	Depth H5	I	I1	List Price
BKC-404-6	660GH010-15.22	4"(110)	40-13/16"(1037)	21-1/8"(537)	10"(253)	5-7/8"(150)	39-1/4"(997)	19-9/16"(497)	\$1710.00
BKC-406-2	660GK010-06.22	6"(160)	40-13/16"(1037)	21-1/8"(537)	5-11/16"(145)	2-3/8"(60)	39-1/4"(997)	19-9/16"(497)	\$1590.00
BKC-406-4	660GK010-11.22	6"(160)	40-13/16"(1037)	21-1/8"(537)	7-11/16"(195)	4-5/16"(110)	39-1/4"(997)	19-9/16"(497)	\$1650.00
BKC-406-6	660GK010-15.22	6"(160)	40-13/16"(1037)	21-1/8"(537)	9-1/4"(235)	5-7/8"(150)	39-1/4"(997)	19-9/16"(497)	\$1710.00

BKC Options		
Suffix	Description	List Add
-LG	Heavy Duty Ladder Grating	\$420.00
-316	Type 316 Stainless Steel	20%
-B	Sediment Basket	106.00
-FC	Outlet w/Membrane clamp	180.00
-P	Stainless Steel P-Trap	See pg. 28

Heavy Duty Ladder Grating (-LG)



NOTES

Through know how, dedicated service and common sense we develop, produce and market high quality stainless steel drainage solutions for customers in the residential, commercial, industrial and marine sectors all over the world.

BLÜCHER[®]

A WATTS Brand

PL-BLÜCHER 1605

MF10130



KEEPING UP THE FLOW

USA: Tel. (828) 248-3998 • Fax (828) 248-3929 • BLUCHERpipe.com

Canada: Tel. (905) 332-4090 • Fax (905) 332-7068 • BLUCHERpipe.ca

© 2016 BLÜCHER