



GE APPLIANCES

INSTALLATION INSTRUCTIONS

NS15HH

Variable Capacity Heat Pump

This manual must be left with the homeowner for future reference.



This is a safety alert symbol and should never be ignored. When you see this symbol on labels or in manuals, be alert to the potential for personal injury or death.

WARNING

Installation and servicing of air conditioning equipment can be hazardous due to internal refrigerant pressure and live electrical components. Only trained and qualified service personnel should install or service this equipment. Installation and service performed by unqualified persons can result in property damage, personal injury, or death.

WARNING

ELECTRICAL SHOCK HAZARD!



Risk of electrical shock. Disconnect all remote power supplies before installing or servicing any portion of the system. Failure to disconnect power supplies can result in property damage, personal injury, or death.

IMPORTANT

The Clean Air Act of 1990 bans the intentional venting of refrigerant (CFCs, HCFCs and HFCs) as of July 1, 1992. Approved methods of recovery, recycling or reclaiming must be followed. Fines and/or incarceration may be levied for noncompliance.

Contact GE Appliances at:

Homeowner: **GEAppliances.com**
HVAC Pro: **GEAppliancesairandwater.com**
or 866.814.3633

Split System USAC and USHP matches:
AHRIDirectory.org

Table of Contents

| | |
|---|----|
| Before You Begin..... | 2 |
| Requirements for Operation, Service and Installation of Appliances Using Flammable Refrigerants | 4 |
| Application | 8 |
| General..... | 9 |
| Installation | 10 |
| Operating Range | 10 |
| Unit Dimensions | 15 |
| Refrigerant Piping..... | 16 |
| Electrical - Circuit Sizing and Wire Routing | 28 |
| Thermostat Control and Low Voltage Control Wiring ... | 28 |
| Certifications..... | 31 |
| Shipping and Packing List | 31 |
| Outdoor Unitary Control..... | 34 |
| Unit Operation | 42 |
| Start-Up | 42 |
| Maintenance | 44 |
| Homeowner Information | 45 |
| Start-Up and Performance Checklist..... | 47 |
| Limited Warranty | 48 |

WARNING

Sharp metal edges can cause injury. When installing the unit, use care to avoid sharp edges.

GE Appliances
Appliance Park
Louisville, KY 40225

READ AND SAVE THESE INSTRUCTIONS

For more help, GEAppliances.com or GEAppliancesairandwater.com

Before You Begin

Read these instructions carefully and completely.

- **IMPORTANT** – Save these instructions for local inspector's use.
- **IMPORTANT** – Observe all governing codes and ordinances.
- **Note to installer** – Be sure to leave these instructions with the Consumer.
- **Note to consumer** – Keep these instructions for future reference.
- **Skill level** – A licensed certified technician (to handle refrigerant R-454B, recovery, etc) and a qualified electrician are required for installation and service of this split heat pump system.
- Proper installation is the responsibility of the installer.
- Product failure due to improper installation is not covered under the limited warranty.
- For personal safety, this system must be properly grounded.
- Protective devices (fuses or circuit breakers) acceptable for installation are specified on the nameplate of each unit.
- Make sure to avoid wiring or plumbing inside the wall when installing.

CAUTION

- Aluminum electrical wiring may present special problems - consult a qualified electrician.
- When the unit is in the STOP position, there is still voltage to the electrical controls.

WARNING

For your safety, the information in this manual must be followed to minimize the risk of fire, electric shock, or personal injury.

- Use this equipment only for its intended purpose as described in this manual.
- This heat pump must be properly installed in accordance with these instructions before it is used.
- All wiring should be rated for the amperage value listed on the rating plate. Use only copper wiring.
- **All electrical work must be completed by a qualified electrician and completed in accordance with local and national building codes.**
- **Any servicing must be performed by a qualified individual.**
- **For any service which requires entry into the refrigerant sealed system, Federal regulations require that the work is performed by a technician having a Class II or Universal certification.**
- All air conditioners contain refrigerants, which under federal law must be removed prior to product disposal. If you are getting rid of an old product with refrigerants, check with the company handling disposal.
- These R-454B heat pumps systems require that contractors and technicians use tools, equipment and safety standards approved for use with this refrigerant.

WARNING

RISK OF ELECTRIC SHOCK. Could cause injury or death.

- An adequate ground is essential before connecting the power supply.
- **Disconnect all connected electric power supplies before servicing.**
- Repair or replace immediately all electrical wiring that has become frayed or otherwise damaged. Do not use wiring that shows cracks or abrasion damage along its length or at either end.

READ AND SAVE THESE INSTRUCTIONS

WARNING

RISK OF FIRE. Could cause injury or death.

- Do not store or use combustible materials, gasoline or other flammable vapors or liquids in the vicinity of this or any other appliance.

WARNING

- **This appliance is not intended for use by persons (including children) with reduced physical, sensory or mental capabilities, or lack of experience and knowledge, unless they have been given supervision or instruction concerning use of the appliance by a person responsible for their safety. Children should be supervised to ensure that they do not play with the appliance.**
- To avoid danger of suffocation, keep the plastic bag or thin film used as the packaging material away from young children.
- Be sure not to allow foreign materials (oil, water, etc) entering the refrigerant piping. Seal the ends of refrigerant piping before storage.
- For installation purposes, be sure to use the parts supplied by the manufacturer or other prescribed parts. The use of non-prescribed parts can cause serious accidents such as the unit falling, water leakage, electric shock, or fire.
- The rated power supply of this product is 208/230 VAC/60hz/1PH. Verify the voltage is within 187~253 range before turning the equipment on.
- Supply power to the heat pump should be from a dedicated circuit that meets branch circuit ampacity requirements.
- **Use a special branch circuit breaker and receptacle matched to the power circuit capacity of the heat pump. (Install in accordance with local technical standard for electrical equipment).**
- Perform wiring work in accordance with standards so that the air conditioner can be operated safely and positively.
- If the SUPPLY CORD is damaged, it must be replaced by the manufacturer, its service agent or similarly qualified persons in order to avoid a hazard.

Requirements for Operation, Service and Installation of Appliances Using Flammable Refrigerants

- Do not use means to accelerate the defrosting process or to clean, other than those recommended by the manufacturer.
- The appliance shall be stored in a room without continuously operating ignition sources (for example: open flames, an operating gas appliance or an operating electric heater).
- Do not pierce or burn.
- Be aware that refrigerants may not contain an odor.



Warning; Flammable Materials, Refrigerant class per ISO 817



Owner's Manual; Operating Instructions



Read Owner's Manual



Service Indicator; Read Technical Manual

General

- **During installation, due to the extended refrigerant pipes, additional REFRIGERANT may be charged. Refer to the nameplate attached to the unit for details.**
- **Handling, installation, cleaning, servicing and disposal of refrigerant must comply with the local regulation and the instruction.**
- Servicing shall be performed only as recommended by the manufacturer.
- Spaces where refrigerant pipes are allowed shall comply with the below requirement:
 - that piping material, pipe routing, and installation shall include protection from physical damage in operation and service, and be in compliance with national and local codes and standards, such as ASHRAE 15, IAPMO Uniform Mechanical Code, ICC International Mechanical Code, or CSA B52. All field joints shall be accessible for inspection prior to being covered or enclosed.
 - that the installation of pipe-work shall be kept to a minimum.
 - that the mechanical connections between parts created during installation are accessible for maintenance purposes.
 - that protection devices, piping, and fittings shall be protected as far as possible against adverse environmental effects, for example, the danger of water collecting and freezing in relief pipes or the accumulation of dirt and debris.
 - that piping in refrigeration systems shall be so designed and installed to minimize the likelihood of hydraulic shock damaging the system.

General (cont)

- that precautions shall be taken to avoid excessive vibration or pulsation.
- that after completion of field piping for split systems, the field pipework shall be pressure tested with an inert gas and then vacuum tested prior to refrigerant charging, according to the following requirements:
 - * The minimum test pressure for the low side of the system shall be the low side design pressure and the minimum test pressure for the high side of the system shall be the high side design pressure, unless the high side of the system, cannot be isolated from the low side of the system in which case the entire system shall be pressure tested to the low side design pressure.
 - * The test pressure after removal of pressure source shall be maintained for at least 1 hour with no decrease of pressure indicated by the test gauge, with test gauge resolution not exceeding 5% of the test pressure.
 - * During the evacuation test, after achieving a vacuum level specified in the manual or less, the refrigeration system shall be isolated from the vacuum pump and the pressure shall not rise above 1500 microns within 10 min. The vacuum pressure level shall be specified in the manual, and shall be the lesser of 500 microns or the value required for compliance with national and local codes and standards, which may vary between residential, commercial, and industrial buildings.
- that field-made refrigerant joints indoors shall be tightness tested according to the following requirements: The test method shall have a sensitivity of 5 grams per year of refrigerant or better under a pressure of at least 0.25 times the maximum allowable pressure. No leak shall be detected.

Requirements for Operation, Service and Installation of Appliances Using Flammable Refrigerants

Qualification of Workers

Every working procedure that affects safety shall only be carried out by competent persons.

Examples for such working procedures are:

- breaking into the refrigerating circuit;
- opening of sealed components;
- opening of ventilated enclosures.

The competent persons are trained by the national training organisations or manufacturers that are accredited to teach the relevant national competency standards that may be set in legislation. The achieved competence should be documented by a certificate.

Information on Servicing

Prior to beginning work on systems containing **FLAMMABLE REFRIGERANTS**, safety checks are necessary to ensure that the risk of ignition is minimised. For repair to the **REFRIGERATING SYSTEM**, the below requirement shall be completed prior to conducting work on the system:

- Work shall be undertaken under a controlled procedure so as to minimise the risk of a flammable gas or vapour being present while the work is being performed.
- All maintenance staff and others working in the local area shall be instructed on the nature of work being carried out. Work in confined spaces shall be avoided.
- The area shall be checked with an appropriate refrigerant detector prior to and during work, to ensure the technician is aware of potentially toxic or flammable atmospheres. Ensure that the leak detection equipment being used is suitable for use with all applicable refrigerants, i. e. non-sparking, adequately sealed or intrinsically safe.
- If any hot work is to be conducted on the refrigerating equipment or any associated parts, appropriate fire extinguishing equipment shall be available to hand. Have a dry powder or CO₂ fire extinguisher adjacent to the charging area.
- No person carrying out work in relation to a **REFRIGERATING SYSTEM** which involves exposing any pipe work shall use any sources of ignition in such a manner that it may lead to the risk of fire or explosion. All possible ignition sources, including cigarette smoking, should be kept sufficiently far away from the site of installation, repairing, removing and disposal, during which refrigerant can possibly be released to the surrounding space. Prior to work taking place, the area around the equipment is to be surveyed to make sure that there are no flammable hazards or ignition risks. "No Smoking" signs shall be displayed.

Information on Servicing (cont)

- Ensure that the area is in the open or that it is adequately ventilated before breaking into the system or conducting any hot work. A degree of ventilation shall continue during the period that the work is carried out. The ventilation should safely disperse any released refrigerant and preferably expel it externally into the atmosphere.
- Where electrical components are being changed, they shall be fit for the purpose and to the correct specification. At all times the manufacturer's maintenance and service guidelines shall be followed. If in doubt, consult the manufacturer's technical department for assistance.
- The following checks shall be applied to installations using **FLAMMABLE REFRIGERANTS**:
 - * marking to the equipment continues to be visible and legible. Markings and signs that are illegible shall be corrected;
 - * refrigerating pipe or components are installed in a position where they are unlikely to be exposed to any substance which may corrode refrigerant containing components, unless the components are constructed of materials which are inherently resistant to being corroded or are suitably protected against severe corrosion.
- Repair and maintenance to electrical components shall include initial safety checks and component inspection procedures. If a fault exists that could compromise safety, then no electrical supply shall be connected to the circuit until it is satisfactorily dealt with. If the fault cannot be corrected immediately but it is necessary to continue operation, an adequate temporary solution shall be used. This shall be reported to the owner of the equipment so all parties are advised.
- Initial safety checks shall include:
 - * that capacitors are discharged: this shall be done in a safe manner to avoid possibility of sparking;
 - * that no live electrical components and wiring are exposed while charging, recovering or purging the system;
 - * that there is continuity of grounding.

Repairs to Sealed Components, Intrinsically Safe Components

- Sealed electrical components shall be replaced.
- Intrinsically safe components must be replaced.
- Replace components only with parts specified by the manufacturer. Other parts may result in the ignition of refrigerant in the atmosphere from a leak.

Requirements for Operation, Service and Installation of Appliances Using Flammable Refrigerants

Cabling

- Check that cabling will not be subject to wear, corrosion, excessive pressure, vibration, sharp edges or any other adverse environmental effects. The check shall also take into account the effects of aging or continual vibration from sources such as compressors or fans. Wire routing is designed to keep electrical wiring away from refrigerant containing components. Ensure wire is returned to original routing if any are moved during inspection or repair.

Detection of Flammable Refrigerants

- Under no circumstances shall potential sources of ignition be used in the searching for or detection of refrigerant leaks. A halide torch (or any other detector using a naked flame) shall not be used.
- The following leak detection methods are deemed acceptable for all refrigerant systems:
 - * Electronic leak detectors may be used to detect refrigerant leaks but, in the case of **FLAMMABLE REFRIGERANTS**, the sensitivity may not be adequate, or may need re-calibration. (Detection equipment shall be calibrated in a refrigerant-free area.) Ensure that the detector is not a potential source of ignition and is suitable for the refrigerant used. Leak detection equipment shall be set at a percentage of the LFL of the refrigerant and shall be calibrated to the refrigerant employed, and the appropriate percentage of gas (25% maximum) is confirmed.
 - * Leak detection fluids are also suitable for use with most refrigerants but the use of detergents containing chlorine shall be avoided as the chlorine may react with the refrigerant and corrode the copper pipe-work.

NOTE: Examples of leak detection fluids are:

- * bubble method,
- * fluorescent method agents.
- If a leak is suspected, all naked flames shall be removed/ extinguished.
- If a leakage of refrigerant is found which requires brazing, all of the refrigerant shall be recovered from the system, or isolated (by means of shut off valves) in a part of the system remote from the leak. Removal of refrigerant shall be according to the manual.

Removal and Evacuation

- When breaking into the refrigerant circuit to make repairs – or for any other purpose – conventional procedures shall be used. However, for flammable refrigerants it is important that best practice be followed, since flammability is a consideration. The following procedure shall be adhered to:
 1. safely remove refrigerant following local and national regulations;
 2. purge the circuit with inert gas;
 3. open the circuit by cutting or brazing.
- The refrigerant charge shall be recovered into the correct recovery cylinders if venting is not allowed by local and national codes. For appliances containing flammable refrigerants, the system shall be purged with oxygen-free nitrogen to render the appliance safe for flammable refrigerants. This process might need to be repeated several times.
- Compressed air or oxygen shall not be used for purging refrigerant systems.
- The outlet for the vacuum pump shall not be close to any potential ignition sources, and ventilation shall be available.

Charging Procedures

- In addition to conventional charging procedures, the following requirements shall be followed.
 - Ensure that contamination of different refrigerants does not occur when using charging equipment. Hoses or lines shall be as short as possible to minimise the amount of refrigerant contained in them.
 - Cylinders shall be kept in an appropriate position according to the instructions.
 - Ensure that the **REFRIGERATING SYSTEM** is grounded prior to charging the system with refrigerant.
 - Label the system when charging is complete (if not already).
 - Extreme care shall be taken not to overfill the **REFRIGERATING SYSTEM**.
- Prior to recharging the system, it shall be pressure-tested with the appropriate purging gas. The system shall be leak-tested on completion of charging but prior to commissioning. A follow up leak test shall be carried out prior to leaving the site.

Requirements for Operation, Service and Installation of Appliances Using Flammable Refrigerants

Decommissioning

- Before carrying out this procedure, it is essential that the technician is completely familiar with the equipment and all its detail. It is recommended good practice that all refrigerants are recovered safely. Prior to the task being carried out, an oil and refrigerant sample shall be taken in case analysis is required prior to re-use of recovered refrigerant. It is essential that electrical power is available before the task is commenced.
1. Become familiar with the equipment and its operation.
 2. Isolate system electrically.
 3. Before attempting the procedure, ensure that:
 - mechanical handling equipment is available, if required, for handling refrigerant cylinders;
 - all personal protective equipment is available and being used correctly;
 - the recovery process is supervised at all times by a competent person;
 - recovery equipment and cylinders conform to the appropriate standards.
 4. Pump down refrigerant system, if possible.
 5. If a vacuum is not possible, make a manifold so that refrigerant can be removed from various parts of the system.
 6. Make sure that cylinder is situated on the scales before recovery takes place.
 7. Start the recovery machine and operate in accordance with instructions.
 8. Do not overfill cylinders (no more than 80% volume liquid charge).
 9. Do not exceed the maximum working pressure of the cylinder, even temporarily.
 10. When the cylinders have been filled correctly and the process completed, make sure that the cylinders and the equipment are removed from site promptly and all isolation valves on the equipment are closed off.
 11. Recovered refrigerant shall not be charged into another **REFRIGERATING SYSTEM** unless it has been cleaned and checked.

Recovery

- When removing refrigerant from a system, either for servicing or decommissioning, it is recommended good practice that all refrigerants are removed safely.
- When transferring refrigerant into cylinders, ensure that only appropriate refrigerant recovery cylinders are employed. Ensure that the correct number of cylinders for holding the total system charge is available. All cylinders to be used are designated for the recovered refrigerant and labelled for that refrigerant (i. e. special cylinders for the recovery of refrigerant). Cylinders shall be complete with pressure-relief valve and associated shut-off valves in good working order. Empty recovery cylinders are evacuated and, if possible, cooled before recovery occurs.
- The recovery equipment shall be in good working order with a set of instructions concerning the equipment that is at hand and shall be suitable for the recovery of all appropriate refrigerants including, when applicable, **FLAMMABLE REFRIGERANTS**. In addition, a set of calibrated weighing scales shall be available and in good working order. Hoses shall be complete with leak-free disconnect couplings and in good condition. Before using the recovery machine, check that it is in satisfactory working order, has been properly maintained and that any associated electrical components are sealed to prevent ignition in the event of a refrigerant release. Consult manufacturer if in doubt.
- The recovered refrigerant shall be returned to the refrigerant supplier in the correct recovery cylinder, and the relevant waste transfer note arranged. Do not mix refrigerants in recovery units and especially not in cylinders.
- If compressors or compressor oils are to be removed, ensure that they have been evacuated to an acceptable level to make certain that **FLAMMABLE REFRIGERANT** does not remain within the lubricant. The evacuation process shall be carried out prior to returning the compressor to the suppliers. Only electric heating to the compressor body shall be employed to accelerate this process. When oil is drained from a system, it shall be carried out safely.

Labeling

- Equipment shall be labeled stating that it has been decommissioned and emptied of refrigerant. The label shall be dated and signed. For appliances containing **FLAMMABLE REFRIGERANTS**, ensure that there are labels on the equipment stating the equipment contains **FLAMMABLE REFRIGERANT**.

Application

These units are designed for use in residential and light commercial type buildings. Units should be installed with approved indoor matches listed in the Air-Conditioning, Heating and Refrigeration Institute (AHRI) Directory of Certified Products. Refer to AHRIDirectory.org.

These units comply with UL 60335-2-40/CSA C22.2 No. 60335-2-40, or UL 1995/CSA C22.2 No 236. and must be connected to other units that also are compliant.

The majority of states codes have adopted UL60335-2-40 Edition 4. A limited number of local and state codes may require compliance to UL 60335-2-40 Edition 3. Please refer to our website at GEAppliancesairandwater.com for guidance on installations in those localities.

1) These units are PARTIAL UNIT AIR CONDITIONERS, complying with PARTIAL UNIT requirements of this Standard, and must only be connected to other units that have been confirmed as complying to corresponding PARTIAL UNIT requirements of this Standard, UL60335-2-40/CSA C22.2 No. 60335-2-40, or UL 1995/CSA C22.2 No 236.

- 2) Warning: Assure that PARTIAL UNITS shall only be connected to an appliance suitable for the same refrigerant.
- 3) Assure the maximum operating pressure is considered when connecting to any indoor units.
- 4) According to ASHRAE 15, these units can stop compressor working in 10s when receiving the signal from the Refrigerant detection systems in indoor units. Please verify and assure the validity during installation.

NOTE – R-454b is a A2L refrigerant. The system installation must meet the following parameters based upon total refrigerant charge (line set included). T_{Amin} (Total minimum conditioned area) is the minimum allowable conditioned area based upon the total system charge at sea level. Values must be multiplied by altitude adjustment factor at installed altitude.

Q_{min} table refers to minimum airflow requirements during refrigerant leak mitigation by the refrigerant detection system, based upon total system charge.

See tables on this page.

| T_{Amin} Table | | | | | | | | | | | | | | | |
|---------------------------------------|-----|-----|-----|-----|-----|-----|-----|------|------|------|------|------|------|------|------|
| Charge (lbs) | 4 | 4.5 | 5 | 5.5 | 6 | 6.5 | 7 | 7.5 | 8 | 8.5 | 9 | 9.5 | 10 | 10.5 | 11 |
| Charge (kg) | 1.8 | 2.0 | 2.2 | 2.5 | 2.7 | 2.9 | 3.1 | 3.4 | 3.6 | 3.8 | 4.0 | 4.3 | 4.5 | 4.7 | 5.0 |
| Minimum Conditioned Area (ft²) | 59 | 67 | 74 | 82 | 89 | 97 | 104 | 112 | 119 | 127 | 134 | 142 | 149 | 157 | 164 |
| Minimum Conditioned Area (m²) | 5.4 | 6.2 | 6.8 | 7.6 | 8.2 | 9.0 | 9.6 | 10.4 | 11.0 | 11.7 | 12.4 | 13.1 | 13.8 | 14.5 | 15.2 |

NOTE – Table is based on the configuration where the discharge port and air return port in the room is higher than 2.2m.
NOTE – Multiply values in T_{Amin} table by the Altitude Adjustment Factors to correct T_{Amin} based on installed altitude.

| Altitude Adjustment Factor | | | | | | | | | |
|-----------------------------------|------|------|------|------|------|------|------|------|-------|
| Altitude (m) | 0 | 200 | 400 | 600 | 800 | 1000 | 1200 | 1400 | 1600 |
| Altitude (ft) | 0 | 660 | 1310 | 1970 | 2620 | 3280 | 3940 | 4590 | 5250 |
| Adj. Factor | 1 | 1 | 1 | 1 | 1.02 | 1.05 | 1.04 | 1.1 | 1.12 |
| Altitude (m) | 1600 | 1800 | 2000 | 2200 | 2400 | 2600 | 2800 | 3000 | 3200 |
| Altitude (ft) | 5250 | 5910 | 6560 | 7220 | 7870 | 8530 | 9190 | 9840 | 10500 |
| Adj. Factor | 1.12 | 1.15 | 1.18 | 1.21 | 1.25 | 1.28 | 1.32 | 1.36 | 1.4 |

| Q_{min} Table | | | |
|-----------------------------------|---------------------|-----------------------------------|---------------------|
| Refrigerant Charge lb (kg) | CFM Required | Refrigerant Charge lb (kg) | CFM Required |
| 5 (2.268) | 135 | 18 (8.165) | 487 |
| 6 (2.722) | 162 | 19 (8.618) | 514 |
| 7 (3.175) | 189 | 20 (9.072) | 541 |
| 8 (3.629) | 216 | 21 (9.525) | 568 |
| 9 (4.082) | 244 | 22 (9.979) | 595 |
| 10 (4.536) | 271 | 23 (10.433) | 622 |
| 11 (4.990) | 298 | 24 (10.886) | 649 |
| 12 (5.443) | 325 | 25 (11.340) | 676 |
| 13 (5.897) | 352 | 26 (11.793) | 704 |
| 14 (6.350) | 379 | 27 (12.247) | 731 |
| 15 (6.804) | 406 | 28 (12.701) | 758 |
| 16 (7.257) | 433 | 29 (13.154) | 785 |
| 17 (7.711) | 460 | 30 (13.608) | 812 |

NOTE – Q_{min} minimum airflow requirement for refrigerant leak mitigation.

General

Read this entire instruction manual, as well as the instructions supplied in separate equipment, before starting the installation. Observe and follow all warnings, cautions, instructional labels, and tags. Failure to comply with these instructions could result in an unsafe condition and/or premature component failure.

These instructions are intended as a general guide only for use by qualified personnel and do not supersede any national or local codes in any way. The installation must comply with all provincial, state, and local codes as well as the National Electrical Code (U.S.) or Canadian Electrical Code (Canada). Compliance should be determined prior to installation.

This unit uses R-454B, which is an ozone-friendly HFC refrigerant. The unit must be installed with a matching indoor coil and line set. A filter drier approved for use with R-454B is installed in the unit.

Inspection of Shipment

Upon receipt of equipment, carefully inspect it for possible shipping damage. If damage is found, it should be noted on the carrier's freight bill. Take special care to examine the unit inside the carton if the carton is damaged. Any concealed damage discovered should be reported to the last carrier immediately, preferably in writing, and should include a request for inspection by the carrier's agent.

If any damages are discovered and reported to the carrier **DO NOT INSTALL THE UNIT**, as claim may be denied.

Check the unit rating plate to confirm specifications are as ordered.

Safety Precautions

Follow all safety codes. Wear safety glasses and work gloves. Use quenching cloth for brazing operations. Have fire extinguisher available. Read these instructions thoroughly and follow all warning or cautions attached to the unit.

1. Always wear proper personal protection equipment.
2. Always disconnect electrical power before removing panel or servicing equipment.
3. Keep hands and clothing away from moving parts.
4. Handle refrigerant with caution; refer to proper MSDS from refrigerant supplier.
5. Use care when lifting, avoid contact with sharp edges.

Installation

NOTE: In some cases, noise in the living area has been traced to gas pulsations from improper installation of equipment.

- Locate unit away from windows, patios, decks, etc. where unit operation sounds may disturb customer.
- Leave some slack between structure and unit to absorb vibration.
- Place a sound-absorbing material, such as Isomode, under the unit if it will be installed in a location or position that will transmit sound or vibration to the living area or adjacent buildings.
- Install the unit high enough above the ground or roof to allow adequate drainage of defrost water and prevent ice buildup.
- In heavy snow areas, do not locate the unit where drifting snow will occur. The unit base should be elevated above the depth of average snows.

NOTE: Elevation of the unit may be accomplished by constructing a frame using suitable materials. If a support frame is constructed, it must not block drain holes in unit base.

- When installed in areas where low ambient temperatures exist, locate unit so winter prevailing winds do not blow directly into outdoor coil.
- Locate unit away from overhanging roof lines which would allow water or ice to drop on, or in front of, coil or into unit.

WARNING

To prevent personal injury, as well as damage to panels, unit or structure, observe the following:

While installing or servicing this unit, carefully stow all removed panels so that the panels will not cause injury to personnel, objects or nearby structures. Also, take care to store panels where they will not be subject to damage (e.g., being bent or scratched).

While handling or stowing the panels, consider any weather conditions (especially wind) that may cause panels to be blown around and damaged.

Operating Range

The following information lists the operating range specific:

- Cooling: 40°F - 125°F (4.44 °C - 51.67 °C)
- Heating: 0°F - 75°F (-17.78 °C - 23.89 °C)

NOTES:

- When the outdoor temperature drops below 0°F (-18°C), the unit will stop running. The unit will turn back on automatically when the temperature rises above the lowest limit and the pressure returns to the closing pressure of the low-pressure switch.
- It is recommended to have a secondary heating source(s) available in case the temperature drops below the operating range.

CAUTION


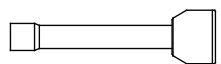
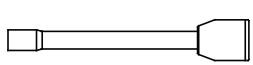

- It is highly recommended that you do not open or close the stop valves when the outdoor temperature is below -5°F (-21°C) as this may cause refrigerant leakage.
- Make sure power is turned on for at least 12 hours after periods of being powered down in an 32 °F (0° C) environment or lower.
- Do not touch the fins of the coil. Touching the coil fins could result in damage to the fins or personal injury such as skin rupture.
- Ensure the power circuit capacity is adequate for all loads connected to the electrical service panel. Increase the conductor and panel capacity if the total electrical loads exceed the power source capacity.
- Contact the power utility if the power provided is below equipment rating plate requirements.
- Be sure to install a breaker of the specified capacity.
- Regulation of cables and breaker differs from each locality, refer in accordance with local rules.
- Use refrigerant tubing that is clean and free of any contamination which may cause damage to the system including sulfur, copper oxide, dust, metal chips, powder, oil or water.
- Avoid brazing lines together. Use a continuous length of copper tubing as oxides formed during improper brazing techniques can damage the equipment.
- Do not use copper pipes that have a collapsed, deformed, or discolored portion (especially on the interior surface). Otherwise, the expansion valve or capillary tube may become blocked with contaminants.
- Improper line sizing will degrade performance. Peak pressure of R454B is much higher than R22. Use copper tubing with adequate wall thickness.
- To prevent breaking of the pipe, avoid sharp bends. Bend the pipe with a radius of curvature of 4 in. (100 mm) or more.
- If the pipe is bent repeatedly at the same place, it will break.

Required Tools for Installation

- 5/8"(16mm), 7/8"(22mm), 1"(25mm) or adjustable wrench
- R-454B refrigerant*
- Adhesive tape
- Conduit connector or clamp, 1/2" (13 mm)*
- Copper line set (for size, see **Table 3** on page 17)
- #2 phillips screwdriver
- Drill
- Flaring tool
- Hex wrench
- Hole saw 21/4"
- Insulation*
- Digital Refrigerant charging scale
- Level
- Manifold gauge set
- Measuring tape
- Micron gauge
- Dry nitrogen (oxygen-free)*
- Pipe cutter (self-tightening is recommended)
- PVC pipe (optional, for condensate routing where applicable)
- Razor knife
- Reamer
- Schrader core removal tools
- Saddle clamp (L.S.) w/ screws
- Sealant, non-expanding (for lineset hole)
- Soap/water solution* or gas leakage detector
- Stud finder
- Torque wrench
- Vacuum pump
- Wire strippers
- Personal protective equipment (safety glasses, gloves)
- All usual and customary HVAC hand and power tools, meters, and testing devices

* consumable

Included Accessories

| Outdoor Unit Included Accessories | | |
|-----------------------------------|---|----------|
| Name | Appearance | Quantity |
| Rubber Damping Pad |  | 4 |
| Suction Extension Pipe |  | 1 |
| Liquid Extension Pipe |  | 1 |
| Installation Manual |  | 1 |

IMPORTANT

Exhaust vents from dryers, water heaters and furnaces should be directed away from the outdoor unit. Prolonged exposure to exhaust gases and the chemicals contained within them may cause condensation to form on the steel cabinet and other metal components of the outdoor unit. This will diminish unit performance and longevity.

When outdoor unit is connected to factory-approved indoor unit, outdoor unit contains system refrigerant charge for operation with matching indoor unit when connected by 15 ft. (4.6 m) of field-supplied tubing. For proper unit operation, check refrigerant charge using charging information located on control box cover.

Operating in 4-Ton Mode

Refer to **Table 7** on page 36 for the correct switch settings to configure the unit from 5-Ton mode to 4-Ton mode.

Indoor Coil TXV Selection

The outdoor section must be matched to a factory approved indoor section. It is mandatory that the installer ensure that the correct TXV is installed in the indoor section. Reference Refrigerant Piping - Typical Existing Fixed Orifice Removal Procedure. If necessary, remove the existing piston and replace it with the correct TXV. See Refrigerant Piping - Typical Existing Expansion Valve Removal Procedure for details of changing the piston or TXV. The **NS15H** models are only rated with TXV on the indoor coil.

Outdoor Section

Zoning ordinances may govern the minimum distance the condensing unit can be installed from the property line.

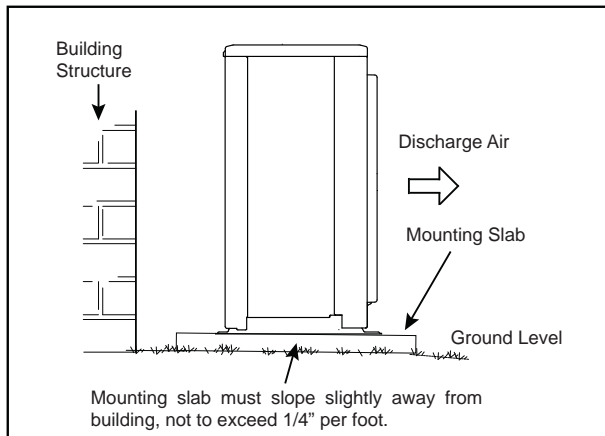


Figure 1. Slab Mounting

Install on a Solid, Level Mounting Pad

The outdoor section is to be installed on a solid foundation. This foundation should extend a minimum of 2" (inches) or 5.08 cm beyond the sides of the outdoor section. To reduce the possibility of noise transmission, the foundation slab should NOT be in contact with or be an integral part of the building foundation. See Figure 1.

If conditions or local codes require the unit be attached to pad or mounting frame, tie down bolts should be used and secured to unit base pan.

Elevate Unit

CAUTION

Accumulation of water and ice in base pan may cause equipment damage.

Elevate unit per local climate and code requirements to provide clearance above estimated snowfall level and ensure adequate drainage of unit. Use snow stand in areas where prolonged freezing temperatures are encountered.

If conditions or local codes require the unit be attached to pad or mounting frame, tie down bolts should be used and fastened through knockouts provided in unit base pan.

DO locate the unit:

- With required clearances on all sides and above the unit, in accordance with the applicable clearance tables and figures.
- On a solid, stable, and level mounting pad or foundation (Unit must be level within $\pm 1/4$ in. per ft. (± 20 mm per m), per compressor manufacturer specifications).
- Where refrigerant line lengths can be kept as short as practical, but still meeting the minimum requirements.
- Where service access and electrical working clearances can be maintained.

DO NOT locate the unit:

- On unstable surfaces, stacked masonry, loose brick, or unbonded concrete blocks.
- Near clothes dryer exhaust vents, where lint discharge may accumulate on the outdoor coil.
- Near flue exhaust vents of any type.
- Near sleeping areas, windows, or other locations where operating sound may be objectionable.
- Under unguttered roof eaves, decks, or overhangs where water, snow, or ice can fall directly onto the unit.
- In locations that do not meet the minimum clearance requirements shown in the applicable clearance tables and figures.

Rooftop Installations

When installing the outdoor unit on a roof, comply with all applicable local codes, building codes, and roofing manufacturer requirements.

- Install the unit on a structurally sound, load-bearing portion of the roof, preferably above a load-bearing wall or structural support capable of supporting the unit weight and dynamic operating loads.
- Mount the unit on a level, load-rated mounting frame or curb, and elevate the unit a minimum of 6 in. (152 mm) above the roof surface to allow proper drainage, prevent ice or snow accumulation, and reduce the risk of water intrusion.
- Maintain all required airflow, service, and electrical clearances as specified in the applicable clearance tables and figures.
- Locate the unit to minimize exposure to prevailing winter winds. If the unit cannot be installed away from prevailing winds, a wind barrier may be installed, provided it does not restrict airflow or service access. The size and location of any wind barrier shall be determined by the installer based on site conditions and manufacturer clearance requirements.
- Ensure that roof penetrations are properly sealed and flashed in accordance with roofing manufacturer recommendations and local codes.

Clearance Requirements

When installing, allow sufficient space for airflow clearance, wiring, refrigerant piping, and service. For proper airflow, quiet operation and maximum efficiency. Position so water, snow, or ice from roof or eaves cannot fall directly on unit. Refer to **Table** below for installation clearances.

| Location | Minimum Clearance | | | | | |
|----------|-------------------|------------|--------------|-------------|-------------|-------------|
| | A | B | C | D | E | F |
| Service | 30" (77 cm) | | | | | |
| Front | 14" (36 cm) | Open | 14" (36 cm) | Open | 20" (51 cm) | Open |
| Back | Open | 4" (11 cm) | Open | 4" (11 cm) | 4" (11 cm) | 4" (11 cm) |
| Side | Open | Open | Open | 12" (31 cm) | Open | Open |
| Top | Open | Open | 40" (102 cm) | 20" (51 cm) | Open | 20" (51 cm) |

NOTE: At least one side should be unobstructed by a wall or other barrier.
Barriers on at least one side of the front and back shall be lower than the outdoor unit.

Table 1. Single-Unit Clearances

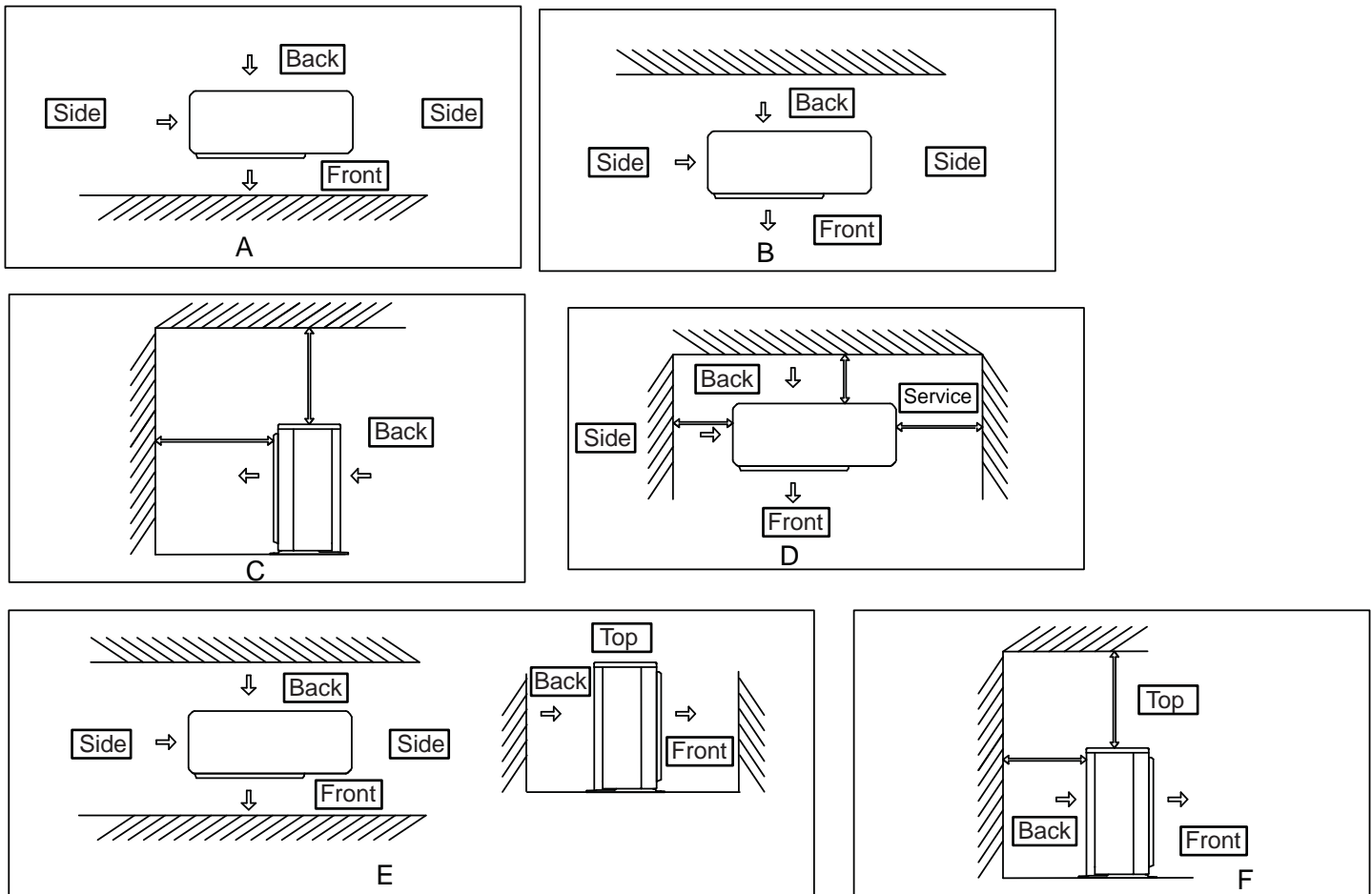


Figure 2. Single-Unit Clearance Configurations

Clearance Requirements (cont)

Table 2. Multiple-Unit Clearances

| | Minimum Clearance Two or More Units | | | |
|----------|-------------------------------------|-------------|-------------|------------------------|
| Location | G | H | I | J |
| Service | 30" (77 cm) | | | |
| Front | Open | Open | 20" (51 cm) | as shown in the figure |
| Back | 4" (11 cm) | 8" (21 cm) | 8" (21 cm) | as shown in the figure |
| Side | | 12" (31 cm) | Open | 12" (31 cm) |
| Top | Open | Open | Open | Open |

NOTE: At least one side should be unobstructed by a wall or other barrier.
Barriers on at least one side of the front and back shall be lower than the outdoor unit."

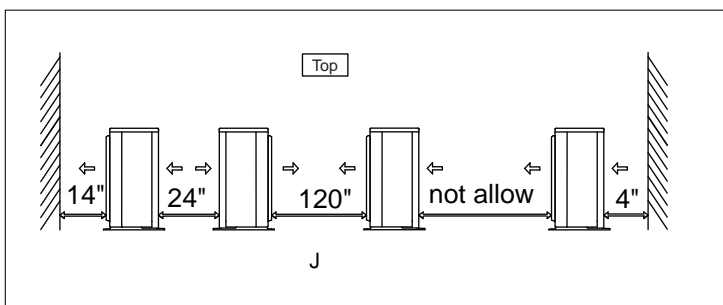
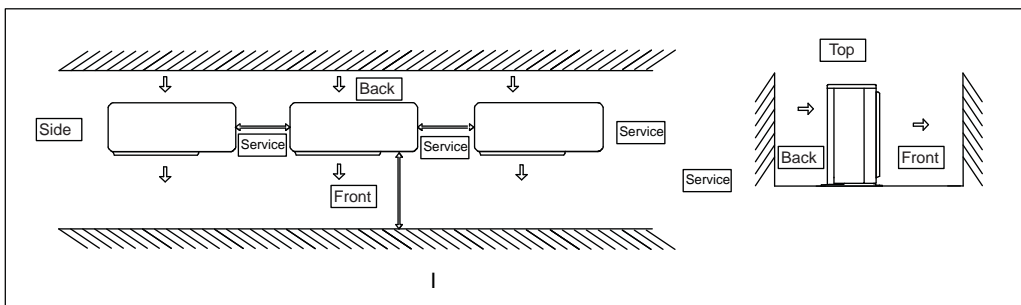
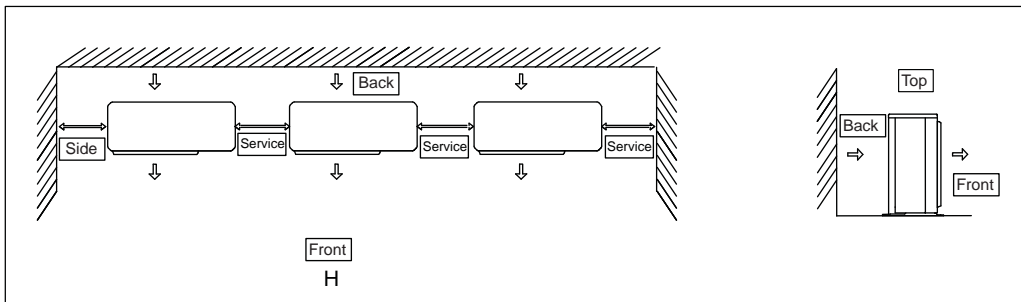
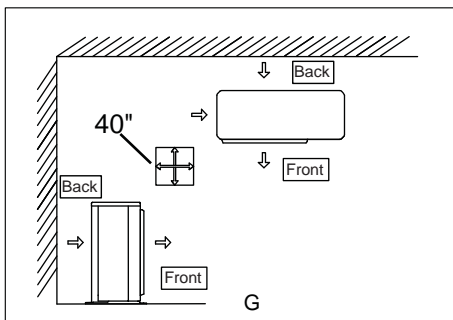
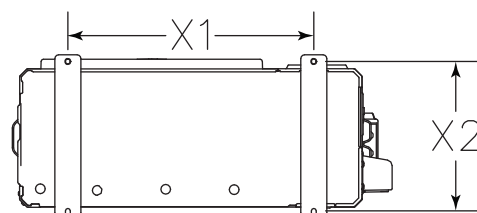
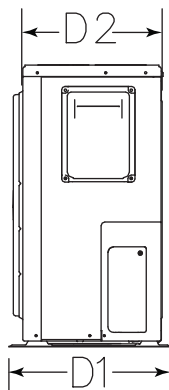
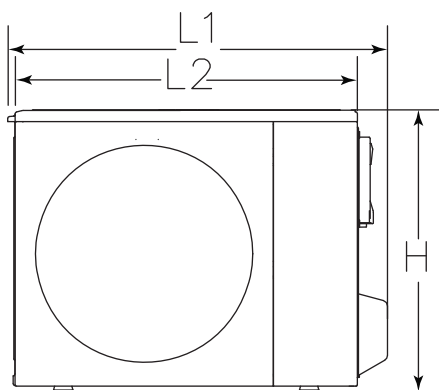


Figure 3. Multiple-Unit Clearance Configuration

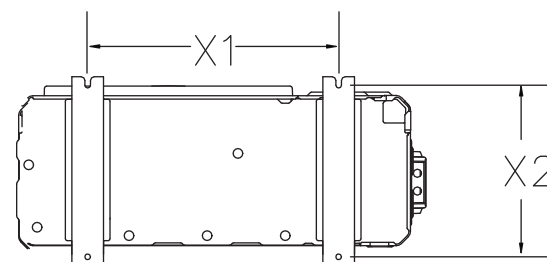
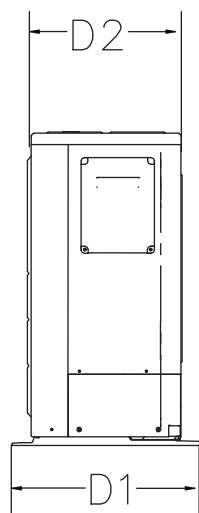
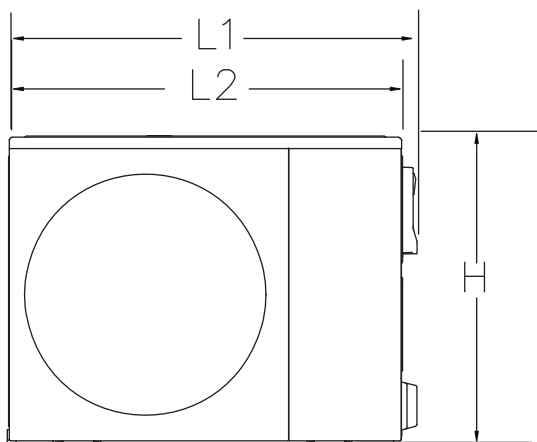
Unit Dimensions

| Model | 18k | 24k | 30k | 36k | 42k | 48k | 60k |
|---------------|------------------------|------------------------|-------------------------|-------------------------|------------------------|------------------------|------------------------|
| L1 | 39" (99.06 cm) | 39" (99.06 cm) | 40-3/16" (102.08 cm) | 40-3/16" (102.08 cm) | 43-1/8" (109.54 cm) | 43-1/8" (109.54 cm) | 43-1/8" (109.54 cm) |
| L2 | 35-1/16" (89.06 cm) | 35-1/16" (89.06 cm) | 36 1/4" (92.08 cm) | 36 1/4" (92.08 cm) | 41-3/8" (105.09 cm) | 41-3/8" (105.09 cm) | 41-3/8" (105.09 cm) |
| D2 | 13-3/8" (33.97 cm) | 13-3/8" (33.97 cm) | 14-5/8" (37.15 cm) | 14-5/8" (37.15 cm) | 15-3/4" (40.01 cm) | 15-3/4" (40.01 cm) | 15-3/4" (40.01 cm) |
| D1 | 16-1/8" (40.96 cm) | 16-1/8" (40.96 cm) | 17-1/8" (43.50 cm) | 17-1/8" (43.50 cm) | 19-7/8" (50.48 cm) | 19-7/8" (50.48 cm) | 19-7/8" (50.48 cm) |
| H | 27-9/16" (70.01 cm) | 27-9/16" (70.01 cm) | 30-1/8" (76.52 cm) | 30-1/8" (76.52 cm) | 33-1/16" (84.01 cm) | 33-1/16" (84.01 cm) | 33-1/16" (84.01 cm) |
| X1 | 24-7/8" (63.18 cm) | 24-7/8" (63.18 cm) | 26" (66.04 cm) | 26" (66.04 cm) | 26-9/16" (67.47 cm) | 26-9/16" (67.47 cm) | 26-9/16" (67.47 cm) |
| X2 | 14-1/2" (36.83 cm) | 14-1/2" (36.83 cm) | 15-13/16" (40.16 cm) | 15-13/16" (40.16 cm) | 18-1/8" (46.04 cm) | 18-1/8" (46.04 cm) | 18-1/8" (46.04 cm) |
| Weight (Ship) | 145 lbs (65.77 kg) | 145 lbs (65.77 kg) | 175 lbs (79.38 kg) | 175 lbs (79.38 kg) | 223 lbs (101.15 kg) | 224 lbs (101.61 kg) | 255 lbs (115.67 kg) |
| Weight (Net) | 112 lbs (50.80 kg) | 112 lbs (50.80 kg) | 138 lbs (62.60 kg) | 138 lbs (62.60 kg) | 178 lbs (80.74 kg) | 179 lbs (81.19 kg) | 211 lbs (95.71 kg) |

18K/24K/30K/36K Units



42K/48K/60K Units



Refrigerant Piping

- Use only refrigerant grade copper tubes.
- **Table 3** shows the pipe installation restrictions for split systems
- Ensure that vapor and liquid tube diameters are appropriate to capacity of unit.
- Run refrigerant tubes as directly as possible by avoiding unnecessary turns and bends.
- When passing refrigerant tubes through the wall, seal opening with RTV or other silicon-based caulk.
- Avoid direct tubing contact with water pipes, duct work, floor joists, wall studs, floors, walls, and any structure.
- Do not suspend refrigerant tubing from joists and studs with a rigid wire or strap that comes in direct contact with tubing.
- Ensure that tubing insulation is pliable and completely surrounds vapor tube.

It is important that no tubing be cut or seals broken until you are ready to actually make connections to the evaporator and to the condenser section. **DO NOT** remove rubber plugs or copper caps from the tube ends until ready to make connections at evaporator and condenser. Under no circumstances leave the lines open to the atmosphere for any period of time, if so unit requires additional evacuation to remove moisture.

Be extra careful with sharp bends. Tubing can “kink” very easily, and if this occurs, the entire tube length will have to be replaced. Extra care at this time will eliminate future service problems.

It is recommended that vertical suction risers not be up-sized. Proper oil return to the compressor should be maintained with suction gas velocity.

Filter Drier

The factory-installed filter dryer is very important for system reliability. The filter dryer should be replaced before re-charging the unit with refrigerant if the unit needs to have refrigerant evacuated for repair. The specification of the filter dryer can be found in the **Table** below.

| ODF | Temperature Range | MWP | Compatible Refrigerant |
|---------|-------------------|----------|------------------------|
| 3/8 in. | -40°F to +248°F | 650 psig | R-454B |
| 9.52 mm | -40°C to +120°C | 4.5 MPa | R-454B |

Installation of Line Sets

DO NOT fasten liquid or suction lines in direct contact with the floor or ceiling joist. Use an insulated or suspension type of hanger. Keep both lines separate, and always insulate the suction line. Liquid line runs (30 feet (9.14 m) or more) in an attic will require insulation. Route refrigeration line sets to minimize length.

DO NOT let refrigerant lines come in direct contact with foundation. When running refrigerant lines through the foundation or wall, openings should allow for a sound and vibration absorbing material to be placed or installed between tubing and foundation. Any gap between foundation or wall and refrigerant lines should be filled with a vibration damping material.

CAUTION

If ANY refrigerant tubing is required to be buried by state or local codes, provide a 6 inch vertical rise at service valve.

WARNING

Polyvinyl ether (PVE) oils used with HFC-454B refrigerant absorb moisture very quickly. It is very important that the refrigerant system be kept closed as much as possible. **DO NOT** remove line set caps or service valve stub caps until you are ready to make connections.

IMPORTANT

If this unit is being matched with an approved line set or indoor unit coil that was previously charged with mineral oil, or if it is being matched with a coil which was manufactured before January of 1999, the coil and line set must be flushed prior to installation. Take care to empty all existing traps. Polyvinyl ether (PVE) and polyol ester (POE) oils are used in these variable-capacity units charged with HFC-454B refrigerant. Residual mineral oil can act as an insulator, preventing proper heat transfer. It can also clog the expansion device and reduce system performance and capacity. Failure to properly flush the system per this instruction and the detailed Installation and Service Procedures manual will void the warranty.

NOTE

“Clean refrigerant” is any refrigerant in a system that has not had compressor burnout. If the system has experienced burnout, it is recommended that the existing line set and indoor coil be replaced.

NOTE

In lieu of R-454B, an industry-standard flushing agent may also be used.

Heat Pump System (HFC454B)

- Total equivalent length equals 180 feet (54.86 m) (piping and all fittings included).

NOTE: Length is general guide. Lengths may be

Flush Line Sets

Flush the existing line set per the following instructions. For more information, refer to the Installation and Service Procedures manual.

CAUTION

Do **NOT** attempt to flush and re-use existing line sets or indoor coil when the system contains contaminants (i.e., compressor burn out).

Suction Traps

For systems with the outdoor unit 5 - 60 feet (1.52 - 18.29 m) above the indoor unit, one trap must be installed at the bottom of the suction riser.

NOTE: Special consideration must be taken for line sets over 50 feet (15.24 m). See Refrigerant Piping Guidelines.

Table 3. Refrigerant Charge and Pipe Length Information

| Model | Refrig. Charge (lb - oz)* | For Liquid Line Length | System maximum pipe length | Max Vertical Length | Service Valve Connection Sizes | | Refrigerant Line Sizes | |
|-------|---------------------------|------------------------|----------------------------|---------------------|--------------------------------|------------------------|------------------------|-------------|
| | | | | | Suction Line Connection | Liquid Line Connection | Suction Line | Liquid Line |
| 18K | 3 - 4 | 0.55 oz/ft | 150 ft | 50 ft | 5/8" | 3/8" | 3/4" | 3/8" |
| 24K | 3 - 11.6 | | | | | | | |
| 30K | 4 - 8.3 | | | | | | | |
| 36K | 4 - 8.3 | | 100 ft | | 3/4" | | 7/8" | |
| 42K | 6 - 11.4 | | | | | | | |
| 48K | 7 - 5.5 | | | | | | | |
| 60K | 8 - 1.1 | | | | | | | |

*Factory charged for 15 feet of line set; adjust per installation instructions.

Table 4. Line Set Guidelines

| Model | Maximum Total Equivalent Length | Maximum Linear (actual) Length | Maximum Vapor Riser | Maximum Linear Liquid Lift | Preferred Vapor Line Sizes for Horizontal Runs | Required Vapor Riser Size |
|-----------|---------------------------------|--------------------------------|---------------------|----------------------------|--|---------------------------|
| 18K / 24K | 180 ft 54.86 m | 150 ft 45.72 m | 50 ft 15.24 m | 50 ft 15.24 m | 3/4" | 5/8" |
| 30K | | 150 ft 45.72 m | 50 ft 15.24 m | 50 ft 15.24 m | 3/4" | 5/8" |
| 36K | | 150 ft 45.72 m | 50 ft 15.24 m | 50 ft 15.24 m | 3/4" | 5/8" |
| 42K / 48K | | 100 ft 30.48 m | 50 ft 15.24 m | 50 ft 15.24 m | 7/8" | 3/4" |
| 60K | | 100 ft 30.48 m | 50 ft 15.24 m | 50 ft 15.24 m | 7/8" | 7/8" |

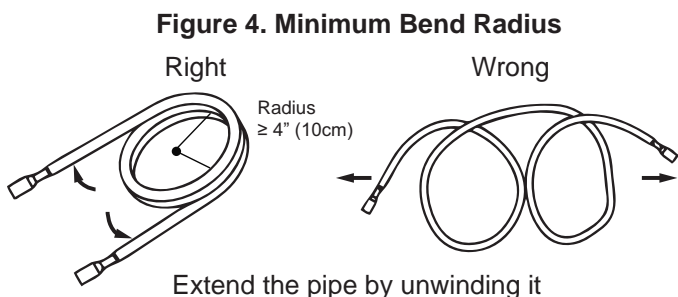
Table 5. Liquid Line Diameter Selection

| Tonnage | Line Size | Total Linear Length (ft.) | | | | | | Max Elevation (ft) |
|-----------------|-----------|---------------------------|------------------|------------------|-------------------|------------------|-------------------|--------------------|
| | | 25 ft 7.62 m | 50 ft 15.24 m | 75 ft 22.86 m | 100 ft 30.48 m | 125 ft 38.1 m | 150 ft 45.72 m | |
| 18K / 24K | 3/8" | 25 ft 7.62 m | 50 ft 15.24 m | 50 ft 15.24 m | 50 ft 15.24 m | 50 ft 15.24 m | 50 ft 15.24 m | / |
| 30K / 36K | | | | | | 50 ft 15.24 m | 50 ft 15.24 m | |
| 42K / 48K / 60K | | | | | | / | / | |

- A. Find your tonnage on the left side of the table.
 B. Select the actual Total Linear Length of your system shown at the top of the table.
 C. The elevation listed in the table is the maximum allowed for the liquid line listed.
NOTE: Total linear length refers to actual tubing length and does not include fitting equivalent length.

Conventional Line Set Installation: Pipe Bending

1. Use a tubing bender to change pipe direction.
2. If tubing is coiled, extend it by unwinding it from one end.
3. DO NOT bend the pipe excessively.



4. Use a sharp cutter to cut the pipe insulation as shown, and bend the pipe after it is exposed. After bending, place the insulation back on the pipe and secure it with adhesive tape.

NOTE: Tubing extension is included with the unit.

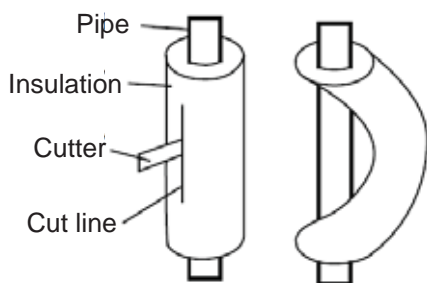


Figure 5.

Step 1: Cutting

1. When preparing refrigerant pipes, take your time to cut and flare them properly. This will ensure efficient operation and minimize the need for future repairs and loss of comfort.
2. Measure and record the distance between the indoor and outdoor units.
3. Make sure that the pipe is cut at a perfect 90° angle. Refer to the image below for guidance.

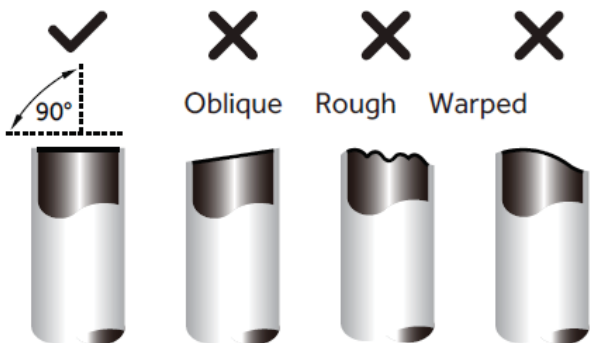


Figure 6.

NOTE: Be extra careful not to damage, dent, or deform the pipe while cutting. This will drastically reduce the operating efficiency of the unit.

Step 2: Deburring

Burrs will affect the air-tight seal of the refrigerant piping connection. They must be completely removed.

1. Hold the pipe at a downward angle to prevent burrs from falling into the pipe.
2. Using a reamer or deburring tool, remove all inside and outside burrs from the cut section of the pipe.
3. After cutting and deburring, never allow tubing to be exposed to the atmosphere. Tightly seal cut ends with PVC tape.

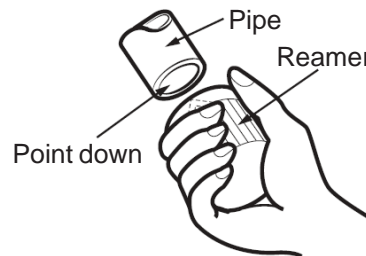


Figure 7.

Conventional Line Set Installation: Pipe Cutting / Pipe Flaring

NOTE: Flaring step is only necessary if the piping extensions included with the heat pump cannot be used.

Step 3: Flaring

Proper flaring is essential to achieve an airtight seal.

1. Ensure there is enough insulation to protect the entire line set from end to end.
2. Use the flare nuts from the accessories pouch, located in the indoor unit packaging. Fit the nut on the tubing to be flared.

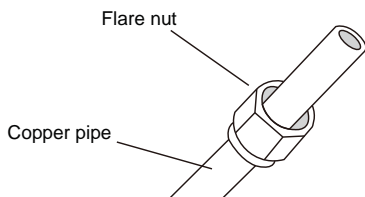


Figure 8.

3. Remove the seal over the exposed end, and place the tube into the R-454B flaring tool.

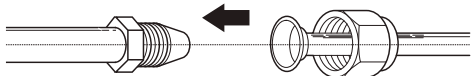


Figure 9.

4. Run the tube against the flaring tool pipe stop, and clamp the form on the tube.

Step 3: Flaring (cont)

5. Rotate the handle of the die clockwise until the clutch releases, then remove the flared tubing from the form.

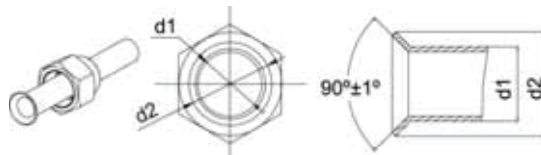


Figure 10.

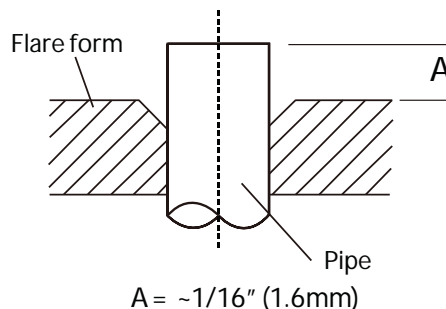


Figure 11.

6. Examine the flare to make sure there are no imperfections on the lip of the flare, and that the back of the flare exactly fits the seat of the flare nut.

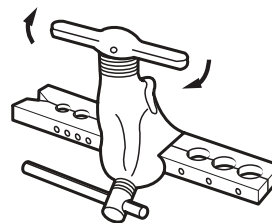


Figure 12.

Conventional Line Set Installation: Pipe Connection

- Attach the flare nuts to the outdoor Service Valve, Torque the fittings according to the specifications shown in the torque chart below.

NOTE: Forced fastening without careful centering may damage the threads and cause a refrigerant leak.

- Two wrenches are required to join the flare connection; one standard wrench and one torque wrench adjusted to the proper settings.

- Repeat the process for attaching the other end of the line set.

| Pipe Diameter(ϕ) | Fastening torque |
|------------------------------|-------------------|
| Liquid side 6.35mm(1/4") | 18N.m/13.3Ft.lbs |
| Liquid/Gas side 9.52mm(3/8") | 42 N.m/30.1Ft.lbs |
| Gas side 12.7mm(1/2") | 55N.m/40.6Ft.lbs |
| Gas side 15.88mm(5/8") | 60 N.m/44.3Ft.lbs |
| Gas side 19.05mm(3/4") | 100N.m/73.8Ft.lbs |

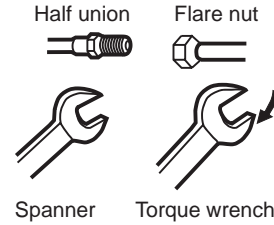


Figure 13.

- Add additional refrigerant charge if needed before you open outdoor service valves

- Record the amount of refrigerant added in permanent ink at the line set length location entered earlier.

Pipe Matching Capabilities of Pipe Extensions

| Model | Extension | Extension Type | Extension Length (in) | Line Set Receiving End Pipe Diameter (in) | Flared End Pipe Diameter (in) | Line Set Connection Type |
|-------------|-------------------|----------------|-----------------------|---|-------------------------------|--------------------------|
| 18K/24K | Suction Extension | Rigid | 7-3/4" | 3/4" | 5/8" | Braze and Mechanical |
| | Liquid Extension | | | 3/8" | 3/8" | Braze and Mechanical |
| 30K/36K | Suction Extension | | | 3/4" | 5/8" | Braze and Mechanical |
| | Liquid Extension | | | 3/8" | 3/8" | Braze and Mechanical |
| 42K/48K/60K | Suction Extension | | | 3/4" | 3/4" | Braze and Mechanical |
| | | | | 7/8" | 3/4" | Braze |
| | Liquid Extension | 3/8" | 3/8" | Braze and Mechanical | | |

IMPORTANT: A 5/16" female by 1/4" male adapter will be required to connect conventional gauge hoses to the service valves.

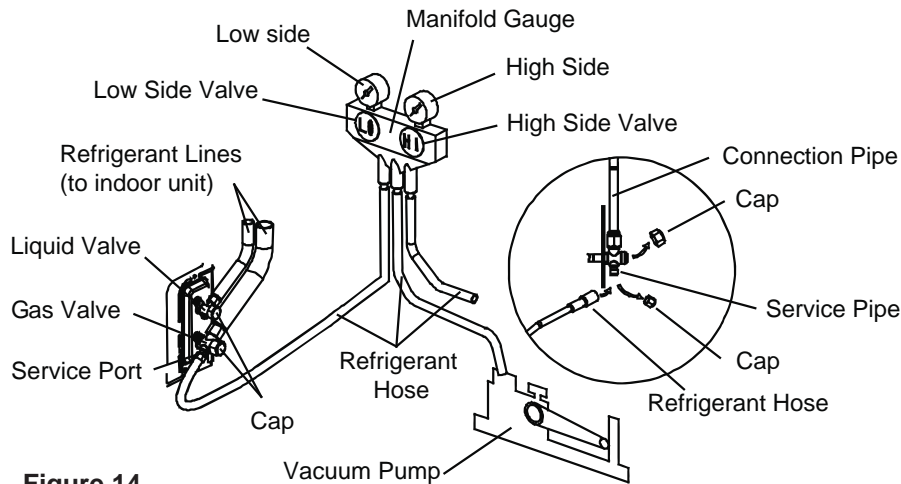


Figure 14.

NOTE: It shows the gauge connection will need to have the high side gauge hose connected to the high side liquid valve so both lines can be evacuated and leak checked.

Connect Gauges and Equipment for Flushing Procedure

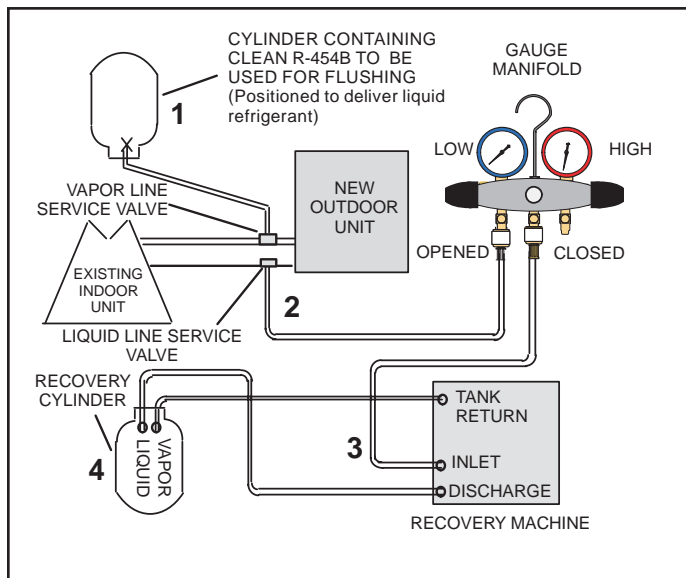


Figure 15. Connecting Gauges

1. Cylinder with clean R-454B (positioned to deliver liquid refrigerant) to the vapor service valve.
2. Refrigerant gauge set (low side) to the liquid line valve.
3. Refrigerant gauge set center port to inlet on the recovery machine with an empty recovery tank connected to the gauge set.
4. Connect recovery tank to recovery machine per machine instructions.

Flushing Line Sets

If the unit will be installed in an existing system that uses an indoor unit or line sets charged with R-22 refrigerant, installer must perform the following flushing procedure.

NOTE: Existing system components (including line set and indoor coil) must be an AHRI match with the unit in order to fulfill unit warranty requirements.

WARNING



Fire, Explosion and Personal Safety hazard. Failure to follow this warning could result in damage, personal injury or death.



Never use oxygen to pressurize or purge refrigeration lines. Oxygen, when exposed to a spark or open flame, can cause fire and/or an explosion, that could result in property damage, personal injury or death.

WARNING



When using a high pressure gas such as nitrogen to pressurize a refrigeration or air conditioning system, use a regulator that can control the pressure down to 1 or 2 psig (6.9 to 13.8 kPa).

WARNING

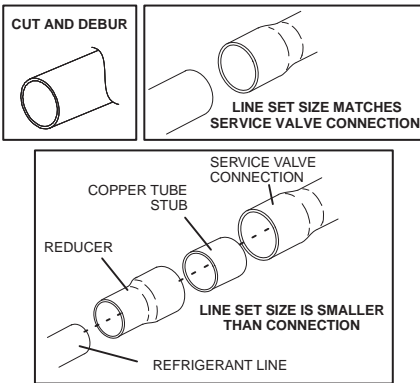
Refrigerant must be reclaimed in accordance with national and local codes.

1. Set the recovery machine for liquid recovery and start the recovery machine. Open the gauge set valves to allow the recovery machine to pull a vacuum on the existing system line set and indoor unit coil.
2. Position the cylinder of clean R-454B for delivery of liquid refrigerant and open its valve to allow liquid refrigerant to flow into the system through the vapor line valve. Allow the refrigerant to pass from the cylinder and through the line set and the indoor unit coil before it enters the recovery machine.
3. After all of the liquid refrigerant has been recovered, switch the recovery machine to vapor recovery so that all of the R-454B vapor is recovered. Allow the recovery machine to pull the system down to 0.
4. Close the valve on the inverted R-454B drum and the gauge set valves. Pump the remaining refrigerant out of the recovery machine and turn the machine off.

Refrigerant Piping - Brazing Procedures

1. CUT AND DEBUR

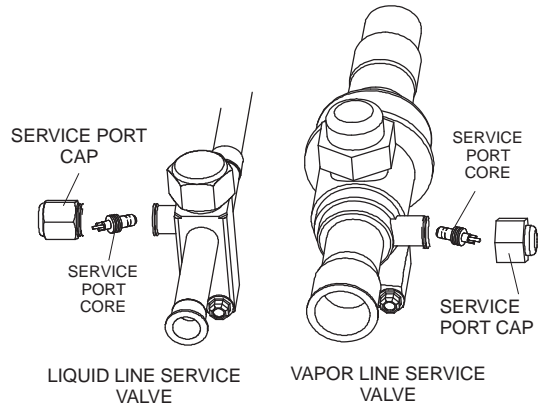
Cut ends of the refrigerant lines square (free from nicks or dents) and debur the ends. The pipe must remain round. Do not crimp end of the line.



DO NOT CRIMP SERVICE VALVE CONNECTOR WHEN PIPE IS SMALLER THAN CONNECTION

2. CAP AND CORE REMOVAL

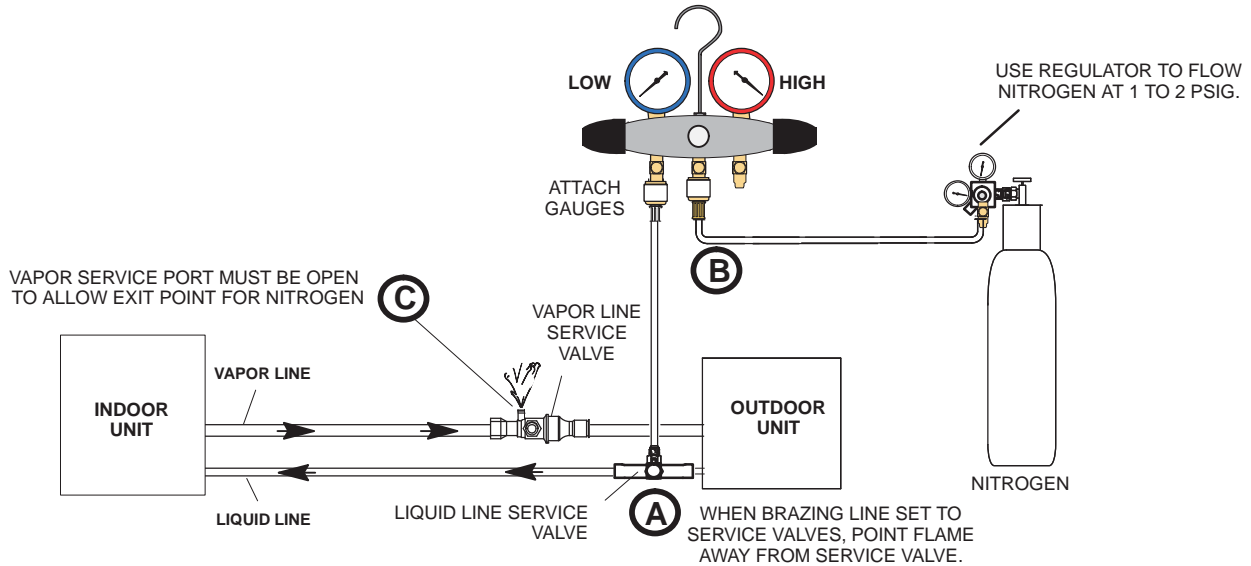
Remove service cap and core from both the vapor and liquid line service ports.



3. ATTACH THE MANIFOLD GAUGE SET FOR BRAZING LIQUID AND VAPOR LINE SERVICE VALVES

Flow regulated nitrogen (at 1 to 2 psig or 6.9 to 13.8 kpa) through the low-side refrigeration gauge set into the liquid line service port valve, and out of the vapor line service port valve.

- A - Connect gauge set low pressure side to liquid line service valve (service port).
- B - Connect gauge set center port to bottle of nitrogen with regulator.
- C - Remove core from valve in vapor line service port to allow nitrogen to escape.



NOTE

Use a manifold gauge set designed for use on R-454B refrigerant systems.

⚠ WARNING

Before brazing, ensure the system is fully recovered of all refrigerant. Application of a brazing torch to a pressurized system may result in ignition of the refrigerant and oil mixture. Check the high and low pressures before applying heat.



⚠ WARNING

Brazing alloys and flux contain materials which are hazardous to your health.

Avoid breathing vapors or fumes from brazing operations. Perform operations only in well-ventilated areas.

Wear gloves and protective goggles or face shield to protect against burns.

Wash hands with soap and water after handling brazing alloys and flux.

Refrigerant Piping - Brazing Procedures (cont)

4. WRAP SERVICE VALVES

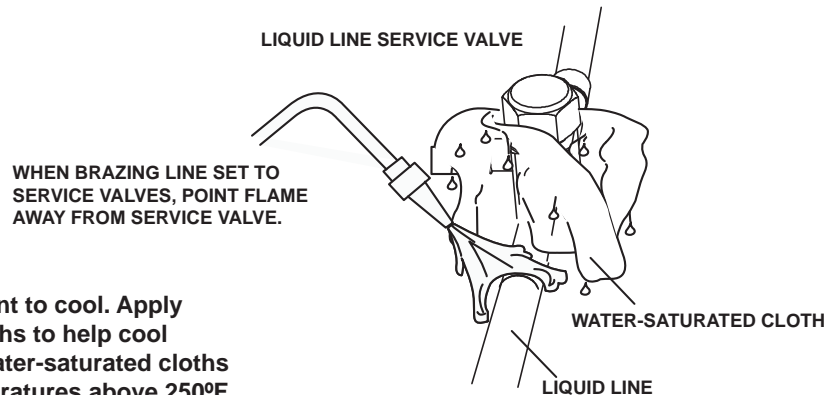
To help protect service valve seals during brazing, wrap water-saturated cloths around service valve bodies and copper tube stubs. Use additional water-saturated cloths underneath the valve body to protect the base paint.

5. TEST FOR LEAKS

Flow regulated nitrogen (at 1 to 2 psig or 6.9 to 13.8 kpa) through the refrigeration gauge set into the valve stem port connection on the liquid service valve and out of the vapor valve stem port. See steps 3A, 3B and 3C on manifold gauge set connections.

6. BRAZE LINE SET

Wrap both service valves with water-saturated cloths as illustrated here and as mentioned in step 4, before brazing to line set. Cloths must remain water-saturated throughout the brazing and cool-down process.



IMPORTANT — Allow braze joint to cool. Apply additional water-saturated cloths to help cool brazed joint. Do not remove water-saturated cloths until piping has cooled. Temperatures above 250°F will damage valve seals.

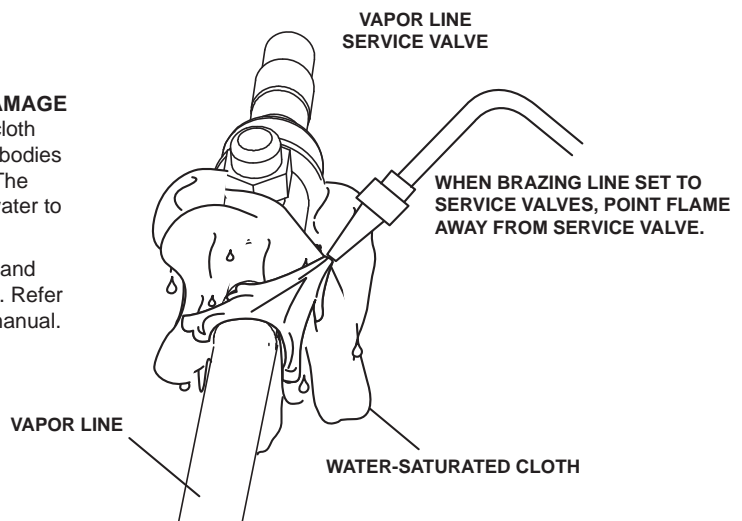
⚠ WARNING



FIRE, PERSONAL INJURY, OR PROPERTY DAMAGE may result if you do not wrap a water-saturated cloth around both liquid and suction line service valve bodies and copper tube stub while brazing the line set! The braze, when complete, must be quenched with water to absorb any residual heat.



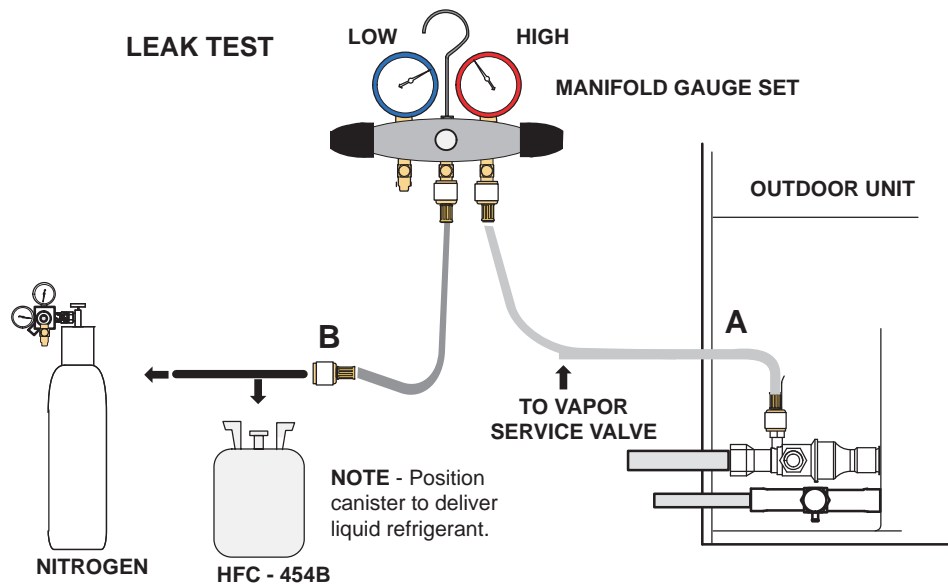
Do not open service valves until refrigerant lines and indoor coil have been leak-tested and evacuated. Refer to the Leak Test and Evacuation section of this manual.



7. PREPARATION FOR NEXT STEP

After all connections have been brazed, disconnect manifold gauge set from service ports. Apply additional water-saturated cloths to both services valves to cool piping. Once piping is cool, remove all water-saturated cloths.

Leak Test and Evacuation



1. CONNECT GAUGE SET

A - Connect the high pressure hose of an HFC-454B manifold gauge set to the vapor valve service port.

NOTE - Normally, the high pressure hose is connected to the liquid line port. However, connecting it to the vapor port better protects the manifold gauge set from high pressure damage.

B - With both manifold valves closed, connect the nitrogen container to the center port of the manifold gauge set.

2. TEST FOR LEAKS

After the line set has been connected to the indoor and outdoor units, check the line set connections and indoor unit for leaks. Use the following procedure to test for leaks:.

A - With both manifold valves closed, connect the nitrogen container to the center port of the manifold gauge set.

B - Open the high pressure side of the manifold to allow HFC-454B into the line set and indoor unit. Weigh in a trace amount of HFC-454B. [A trace amount is a maximum of two ounces (57 g) refrigerant or three pounds (31 kPa) pressure.] Close the valve on the HFC-454B cylinder and the valve on the high pressure side of the manifold gauge set. Disconnect the HFC-454B cylinder.

C - Connect a cylinder of nitrogen with a pressure regulating valve to the center port of the manifold gauge set.

D - Adjust nitrogen pressure to 150 psig (1034 kPa). Open the valve on the high side of the manifold gauge set in order to pressurize the line set and the indoor unit.

E - After a few minutes, open one of the service valve ports and verify that the refrigerant added to the system earlier is measurable with a leak detector.

2. TEST FOR LEAKS (cont)

F - After leak testing, disconnect gauges from service ports.

NOTE - Service valve cores remain removed for the following evacuation procedure.

3. CONNECT GAUGE SET

NOTE - Remove cores from service valves (if not already done).

A - Connect low side of manifold gauge set with 1/4 SAE in-line tee to vapor line service valve

B - Connect high side of manifold gauge set to liquid line service valve

C - Connect available micron gauge connector on the 1/4 SAE in-line tee.

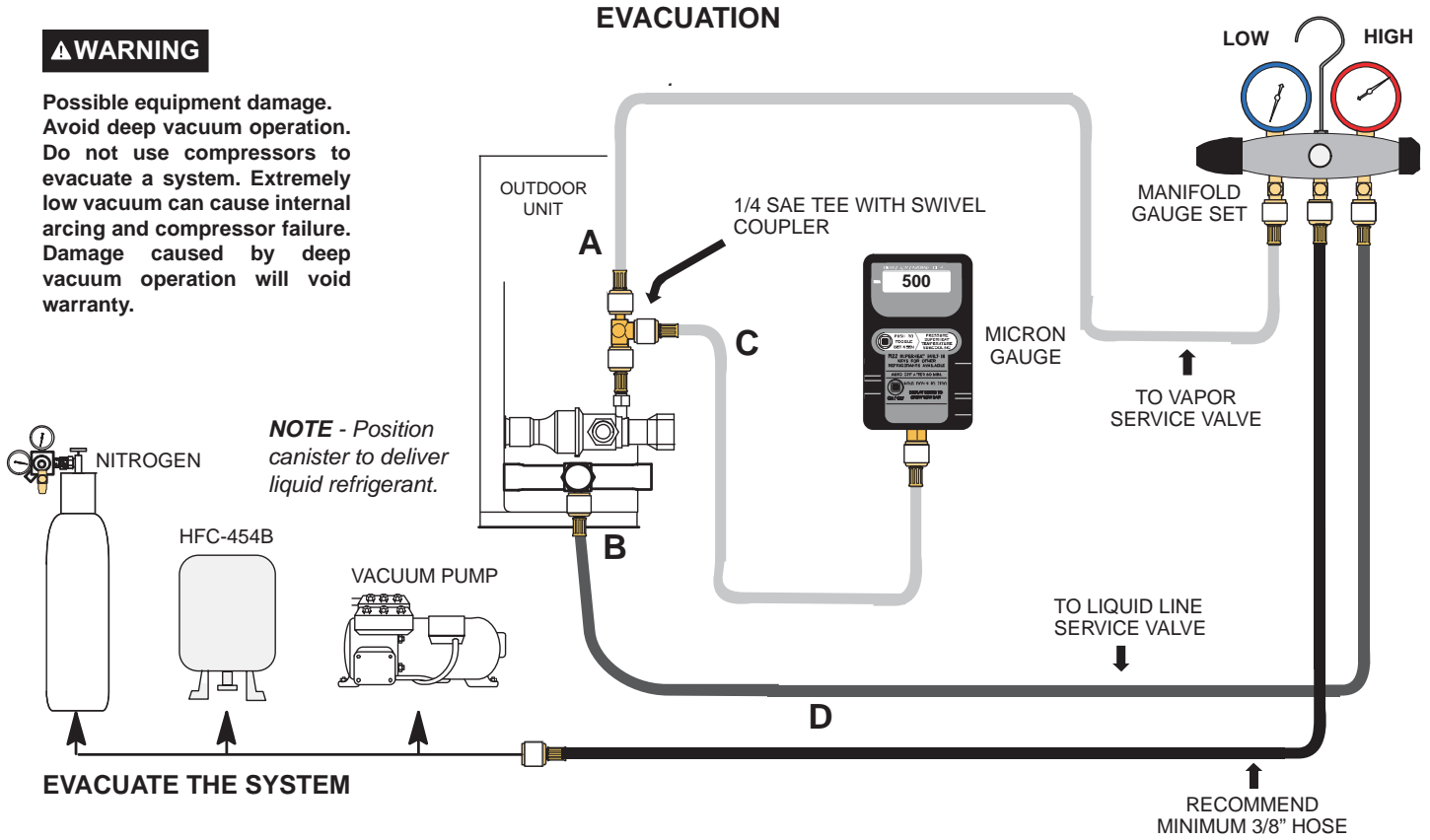
D - Connect the vacuum pump (with vacuum gauge) to the center port of the manifold gauge set. The center port line will be used later for both the HFC-454B and nitrogen containers.

Leak Test and Evacuation (cont)

⚠ WARNING

Possible equipment damage. Avoid deep vacuum operation. Do not use compressors to evacuate a system. Extremely low vacuum can cause internal arcing and compressor failure. Damage caused by deep vacuum operation will void warranty.

NOTE - Position canister to deliver liquid refrigerant.



Leak Test and Evacuation (cont)

4. EVACUATE THE SYSTEM

A - Open both manifold valves and start the vacuum pump.

B - Evacuate the line set and indoor unit until a slight vacuum is indicated on the micron gauge (approximately 23,000 microns or 29.01 inches (73.69 cm) of mercury).

NOTE - During the early stages of evacuation, it is desirable to close the manifold gauge valve at least once. A rapid rise in pressure indicates a relatively large leak. If this occurs, repeat the leak testing procedure.

NOTE - The term absolute pressure means the total actual pressure above absolute zero within a given volume or system. Absolute pressure in a vacuum is equal to atmospheric pressure minus vacuum pressure.

C - When the absolute pressure reaches 23,000 microns (29.01 inches (73.69 cm) of mercury), perform the following:

- Close manifold gauge valves.
- Close valve on vacuum pump.
- Turn off vacuum pump.
- Disconnect manifold gauge center port hose from vacuum pump.
- Attach manifold center port hose to a nitrogen cylinder with pressure regulator set to 150 psig (1034 kPa) and purge the hose.
- Open manifold gauge valves to break the vacuum in the line set and indoor unit.
- Close manifold gauge valves.

D - Shut off the nitrogen cylinder and remove the manifold gauge hose from the cylinder. Open the manifold gauge valves to release the nitrogen from the line set and indoor unit.

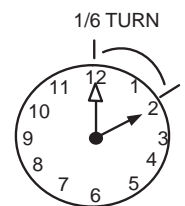
E - Reconnect the manifold gauge to the vacuum pump, turn the pump on, and continue to evacuate the line set and indoor unit until the absolute pressure does not rise above 500 microns (29.9 inches (75.95 cm) of mercury) within a 20-minute period after shutting off the vacuum pump and closing the manifold gauge valves.

F - When the absolute pressure requirement above has been met, disconnect the manifold hose from the vacuum pump and connect it to a cylinder of HFC-454B positioned to deliver liquid refrigerant. Open the manifold gauge valve 1 to 2 psig (6.9 to 13.8 kpa) in order to release the vacuum in the line set and indoor unit.

G - Perform the following:

- Close manifold gauge valves.
- Shut off HFC-454B cylinder.
- Reinstall service valve cores by removing manifold hose from service valve. Quickly install cores with core tool while maintaining a positive system pressure.
- Replace stem caps and finger tighten them, then tighten an additional one-sixth (1/6) of a turn as illustrated.

H - Open suction service valve first before liquid valve to release the unit charge into the system. Replace valve caps and tighten (8 ft. lb. or 10.85 N.m). Caps are the primary seal.



Electrical - Circuit Sizing and Wire Routing

In the U.S.A., wiring must conform with current local codes and the current National Electric Code (NEC). In Canada, wiring must conform with current local codes and the current Canadian Electrical Code (CEC).

Refer to the furnace or air handler installation instructions for additional wiring application diagrams and refer to outdoor unit nameplate for minimum circuit ampacity and maximum overcurrent protection size.

24VAC Transformer

Use the transformer provided with the furnace or air handler for low-voltage control power (24VAC - 40 VA minimum).

Thermostat Control and Low Voltage Control Wiring

Conventional 24VAC Thermostat Control

The **NS15H** variable capacity unit may be installed using a conventional 24VAC two-stage cooling or single-stage cooling thermostat.

The **NS15H** unit will provide full variable capacity operation when installed with a conventional 24VAC two stage heat pump or single-stage heat pump thermostat. The **NS15H** outdoor control has advanced control algorithms, which provide true variable speed capacity operation by modulating the compressor speed to achieve the target suction pressure set point in cooling mode, and liquid pressure set point in heating mode.

When utilizing a two-stage conventional 24VAC thermostat, six wires are required to control the outdoor unit (R, C, W1, O, Y1 and Y2). Refer to the **NS15H** field wiring diagram for a conventional 24VAC two-stage thermostat.

When utilizing a single conventional 24VAC thermostat, five wires are required to control the outdoor unit (R, C, W1, O, and Y1) and Y1 is jumpered to Y2 in the outdoor unit. Note that the published performance data is based upon the use of a two-stage thermostat. Refer to the **NS15H** field wiring diagram for a conventional 24VAC single-stage thermostat.

WARNING

Electrical Shock Hazard!

Can cause injury or death. Unit must be properly grounded in accordance with national and local codes.



Line voltage is present at all components when unit is not in operation on units with single-pole contactors. Disconnect all remote electric power supplies before opening access panel. Unit may have multiple power supplies.

WARNING

Fire Hazard. Use of aluminum wire with this product may result in a fire, causing property damage, severe injury or death. Use copper wire only with this product.

WARNING

Failure to use properly sized wiring and circuit breaker may result in property damage. Size wiring and circuit breaker(s) per Technical Specifications and unit rating plate.

WARNING

ELECTROSTATIC DISCHARGE (ESD)

Precautions and Procedures

Electrostatic discharge can affect electronic components. Take care during unit installation and service to protect the unit's electronic controls. Precautions will help to avoid control exposure to electrostatic discharge by putting the unit, the control and the technician at the same electrostatic potential. Touch hand and all tools on an unpainted unit surface before performing any service procedure to neutralize electrostatic charge.

Table 6. NS15H Thermostat Control Options

| Thermostat Type | Indoor Unit Type | Qty. of Wires to | NS15H Terminal Strip Connections | Unit Operation | Field Wiring Diagram |
|--|----------------------------|------------------|-----------------------------------|--|----------------------|
| Conventional 24VAC 2-Stage Cooling Thermostat | Any Furnace or Air Handler | 6 | R, C, W1, O, Y1, Y2 | Full Variable Capacity Operation Controlled by NS15H Unitary Control Using Suction Pressure | Page 33 |
| Conventional 24VAC Single-Stage Cooling Thermostat | Any Furnace or Air Handler | 5 | R, C, W1, O, Y1 (Jumper Y1 to Y2) | Full Variable Capacity Operation Controlled by NS15H Unitary Control Using Suction Pressure | Page 32 |

Install Thermostat

Install room thermostat (ordered separately) on an inside wall approximately in the center of the conditioned area and 5 feet (1.5m) from the floor. It should not be installed on an outside wall or where it can be affected by sunlight or drafts.

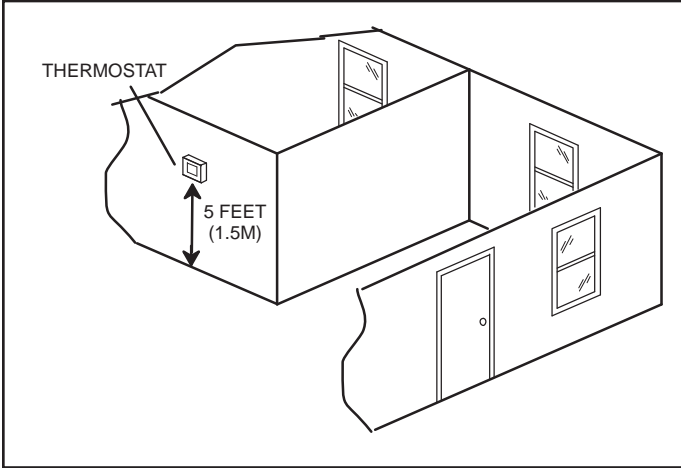


Figure 16.

NOTE: 24VAC, Class II circuit connections are made in the control panel.

Size Circuit and Install Service Disconnect Switch

Refer to the unit nameplate for minimum circuit ampacity, and maximum fuse or circuit breaker (HACR per NEC). Install power wiring and properly sized disconnect switch.

NOTE: Units are approved for use only with copper conductors. Ground unit at disconnect switch or connect to an earth ground.

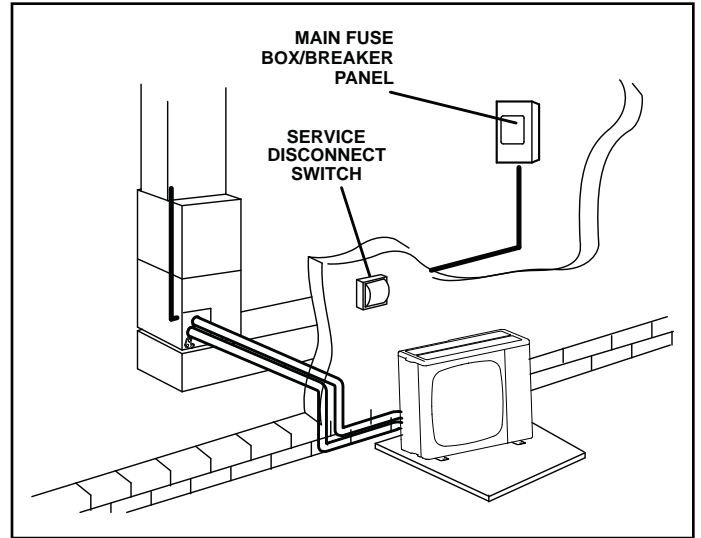


Figure 17.

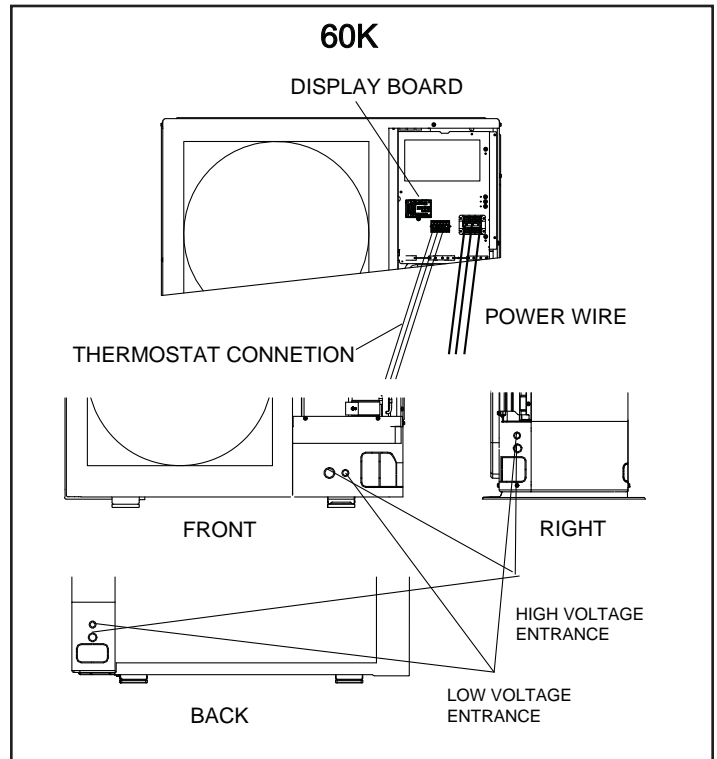
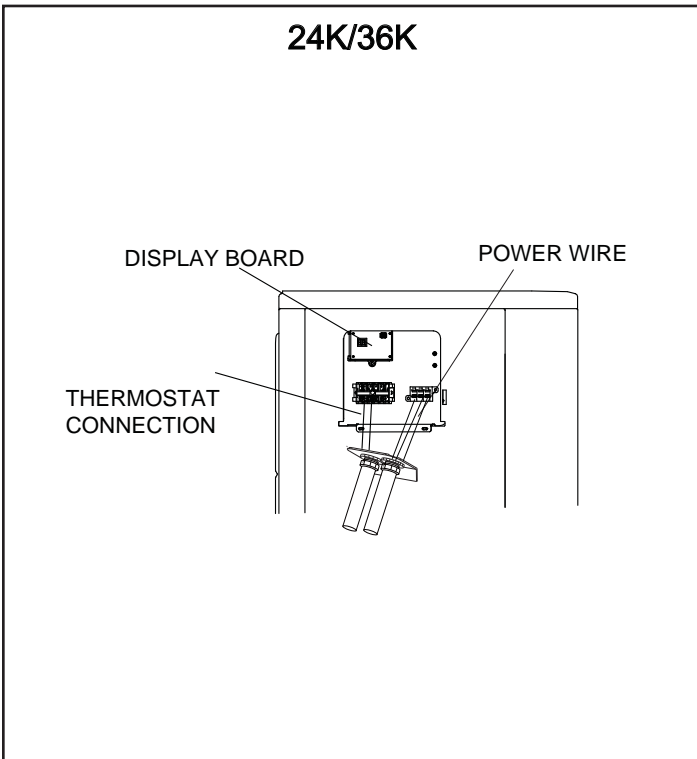


Figure 18.

NOTE: Select the appropriate conduit opening for the wire size used.

Route Control Wires

| Wire Run Length | AWG# | Insulation Type |
|----------------------|------|---|
| Less than 100' (30m) | 18 | Temperature Rating 35°C (95°F) Minimum |
| More than 100' (30m) | 16 | |

Table 7. Conventional 24VAC Thermostat Wiring

WARNING

Improper installation, adjustment, alteration, service or maintenance can cause property damage, personal injury or loss of life.

Installation and service must be performed by a licensed professional HVAC installer (or equivalent) or a service agency.

WARNING

All systems equipped with at least 4 lbs of low-GWP A2L-classified refrigerant are required to have a refrigerant leak detection system installed to prevent the build up of low-flammable refrigerant in enclosed spaces of the HVAC equipment. A refrigerant detection system may be required for systems that have less than 4 lbs of low-GWP refrigerant. For more information on this, contact Technical Support.

Installing OEM low GWP residential HVAC equipment without a refrigerant detection system may lead to a fire hazard within the home in the event of a refrigerant leak.

WARNING

This unit uses an A2L (mildly flammable) refrigerant. All electrical work shall be performed in a manner that minimizes the risk of ignition in the unlikely event of a refrigerant leak.

- Ensure all equipment grounding and bonding is completed in accordance with NEC/ CEC and local code requirements.
- Electrical connections shall be tight, secure, and free of arcing, sparking, or overheating conditions.
- Do not install or route electrical components where they may be exposed to refrigerant discharge, pooling, or accumulation.
- Do not energize the unit if electrical wiring is damaged, loose, or improperly terminated.
- Only use factory-approved or listed electrical components when servicing or replacing parts.

Failure to follow proper grounding, bonding, and wiring practices may increase the risk of ignition and can result in equipment damage, personal injury, or death.

Route High Voltage and Ground Wires

Any excess high voltage field wiring should be trimmed and secured away from any low voltage field wiring. To facilitate a conduit, a cutout is located on the bottom of the control box. Connect conduit to the control box using a proper conduit fitting.

Connect the 208/230 high voltage power supply from the disconnect to the **NS15H** contactor as shown. Connect the ground wire from the power supply to the unit ground lug connection.

WARNING

The RDS Non-Communicating Blower Control Board has been tested with OEM matched coils only. Do not use a non-OEM refrigerant detection system controller or non-OEM leak sensor with OEM coils. Do not use the RDS Non-Communicating Blower Control Board with other manufacturer's coils or air handlers.

WARNING

Improper installation of the RDS Non- Communicating Blower Control Board may lead to unreliable equipment operation and possible fire hazard from refrigerant leaks.

In addition to installing the RDS Non- Communicating Blower Control Board, considerations must be made regarding sensor mounting location. Please refer to respective OEM air handler, coil, and/or sensor kit installation guides for further details.

CAUTION

Any service personnel installing, decommissioning, or performing maintenance on the unit must be properly trained and certified with low GWP refrigerants.

Unit must remain powered except for service.

Certifications

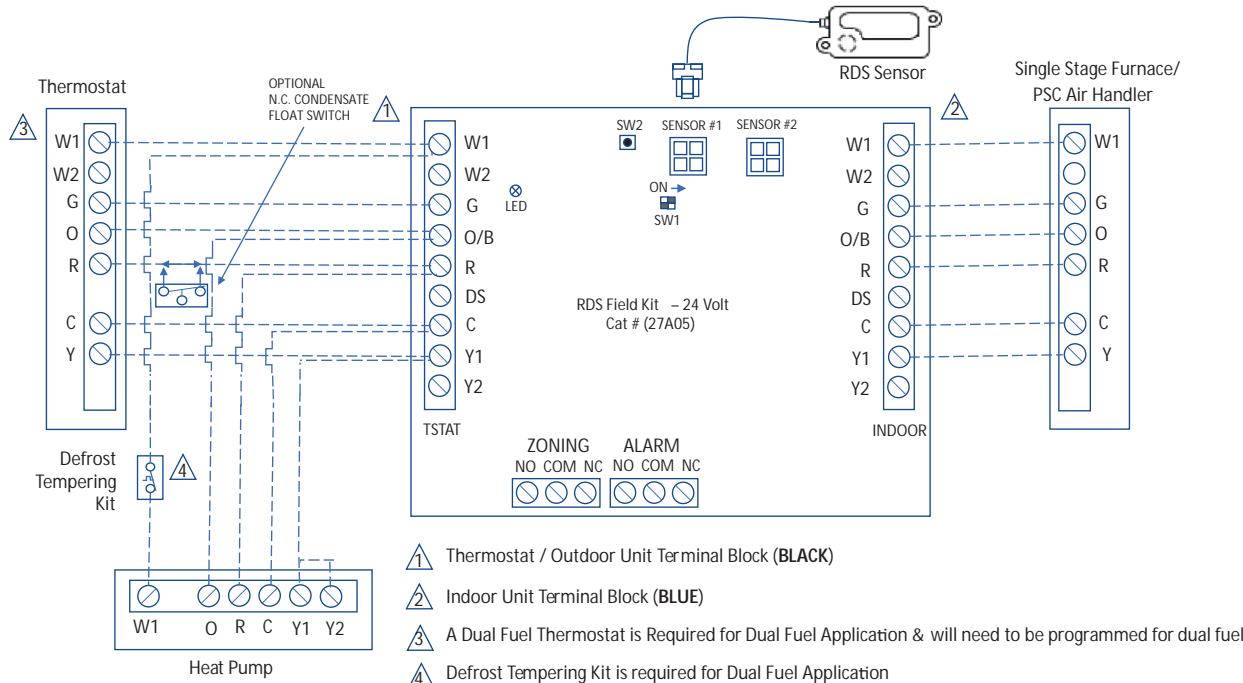
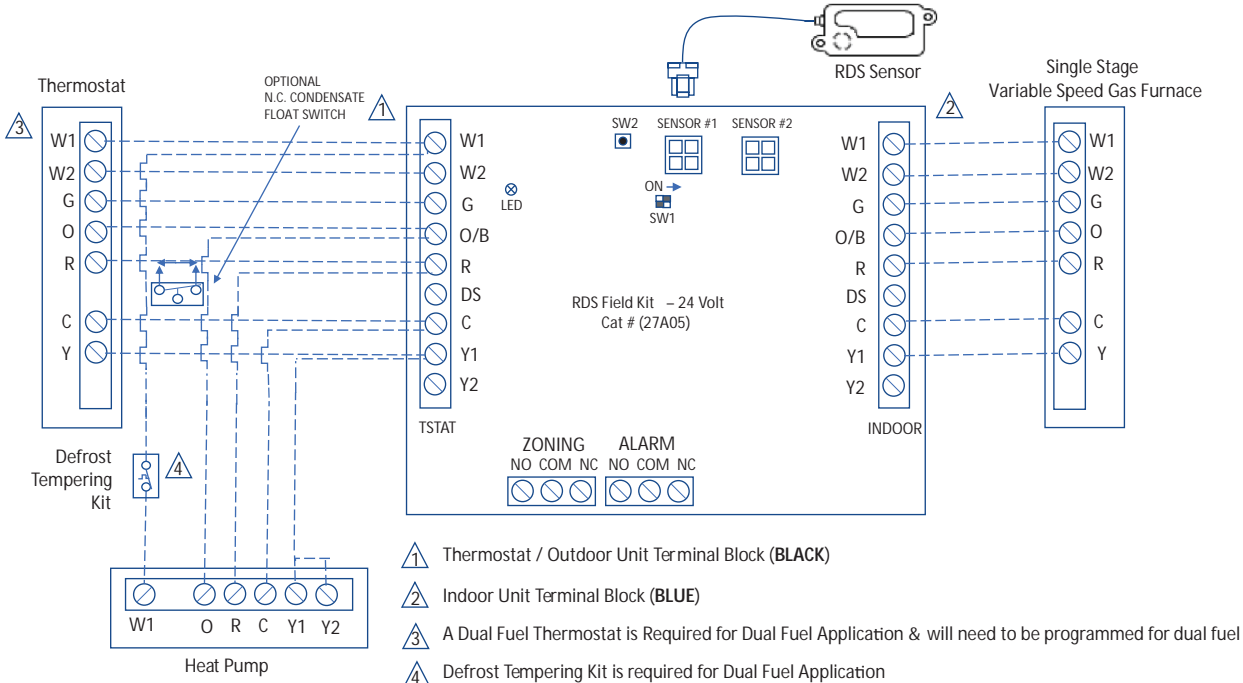
- CSA C22.2 No. 60335-2-40:22; Fourth ed.
- UL 60335-2-40; Fourth ed.

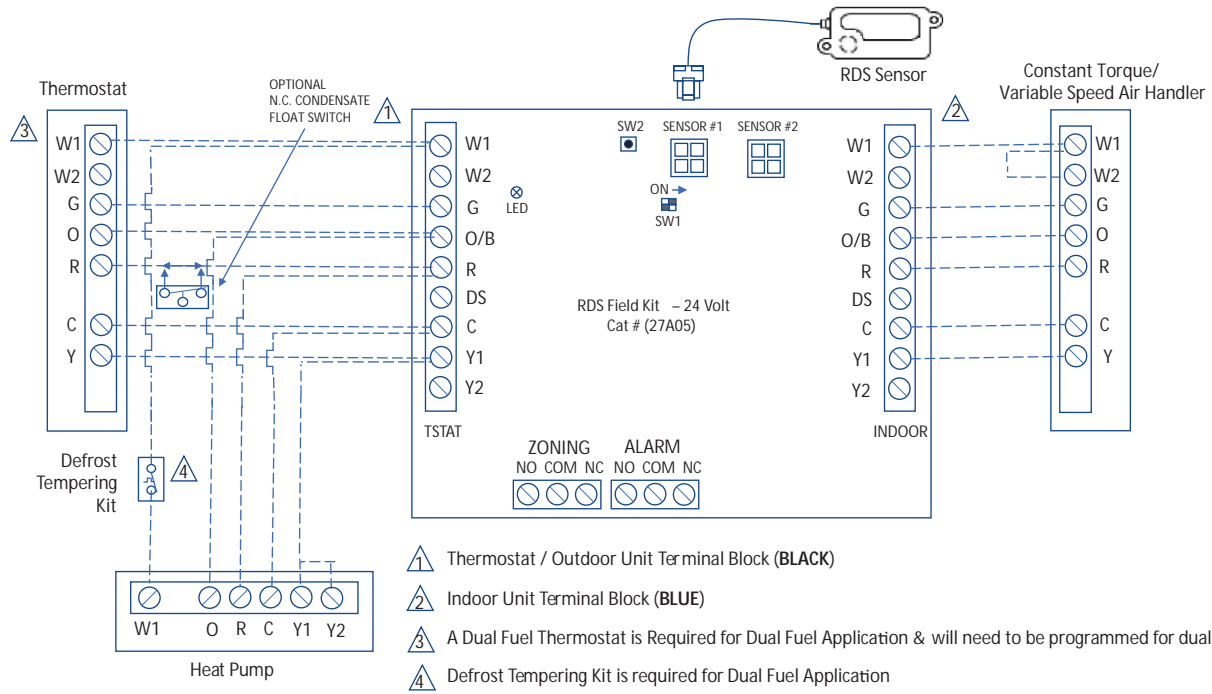
Shipping and Packing List

| Qty | Description | Cat. No. |
|-----|---|----------|
| 1 | OEM Low GWP Refrigerant Detection System | 27A05 |
| 2 | Mounting Hardware - #6-18 1" Phillips Drive pan head with dry wall anchor | N/A |

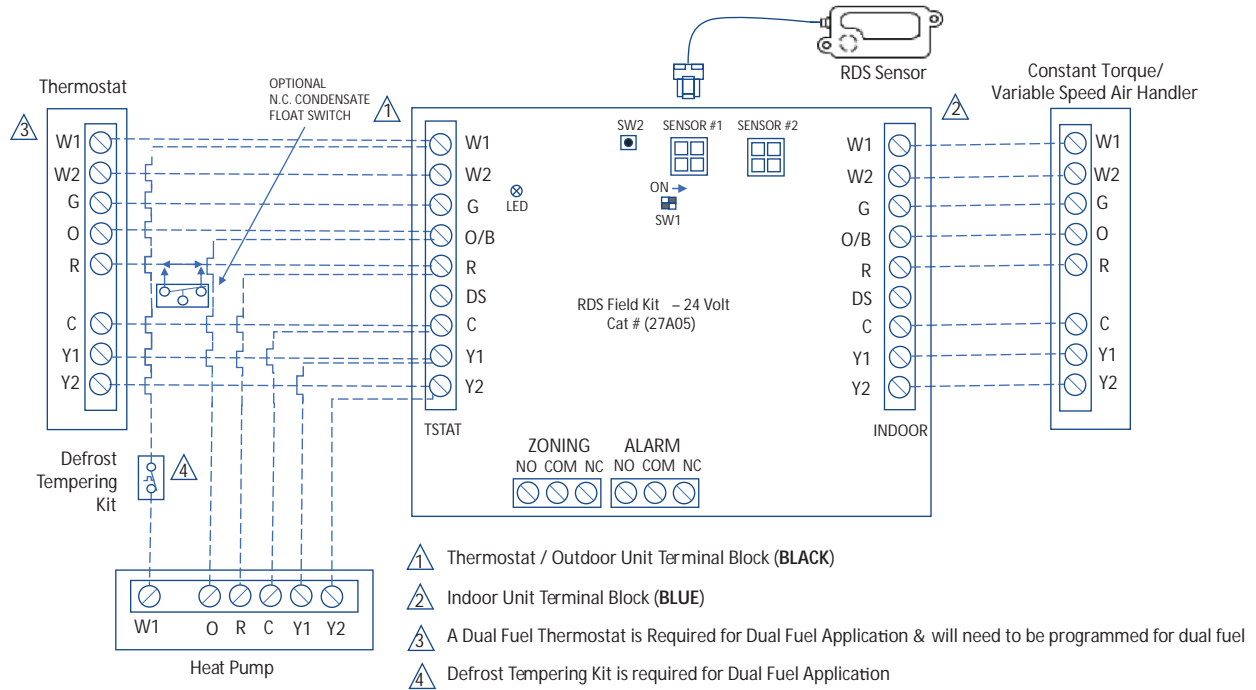
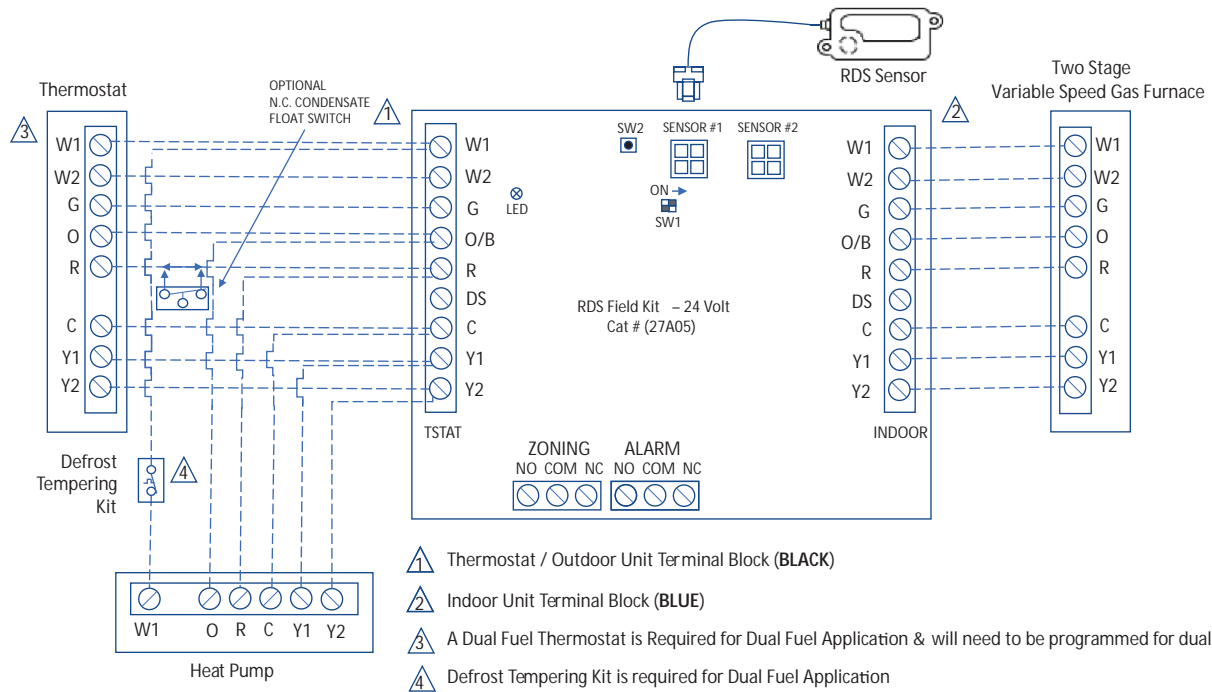
NOTE: Refer to the single and two stage RDS wiring diagrams for proper set up of the refrigerant detection system.

RDS Wiring Diagrams for Single Stage Heat Pump with Air Handler





RDS Wiring Diagrams for Two Stage Heat Pump with Two Stage Furnace/Air Handler



NOTE: Refer to the RDS installation instruction booklet for further information.

Outdoor Unitary Control

DIP and Terminals

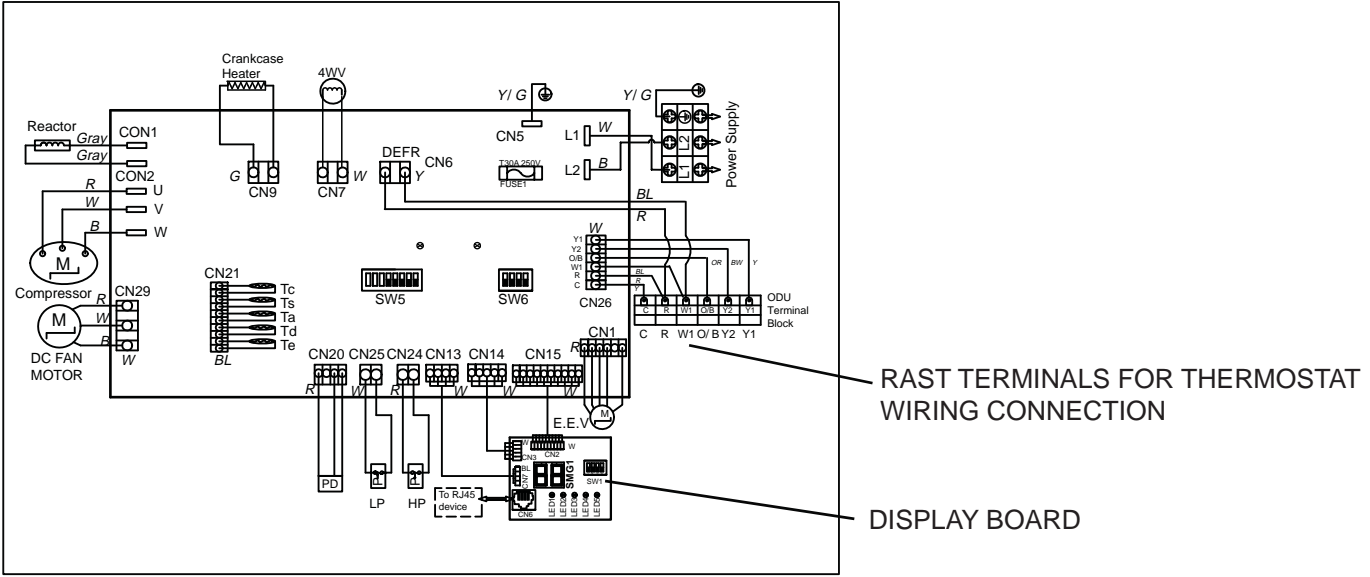


Figure 19. 18K/24K/30K/36K/42K/48K Wiring Diagram

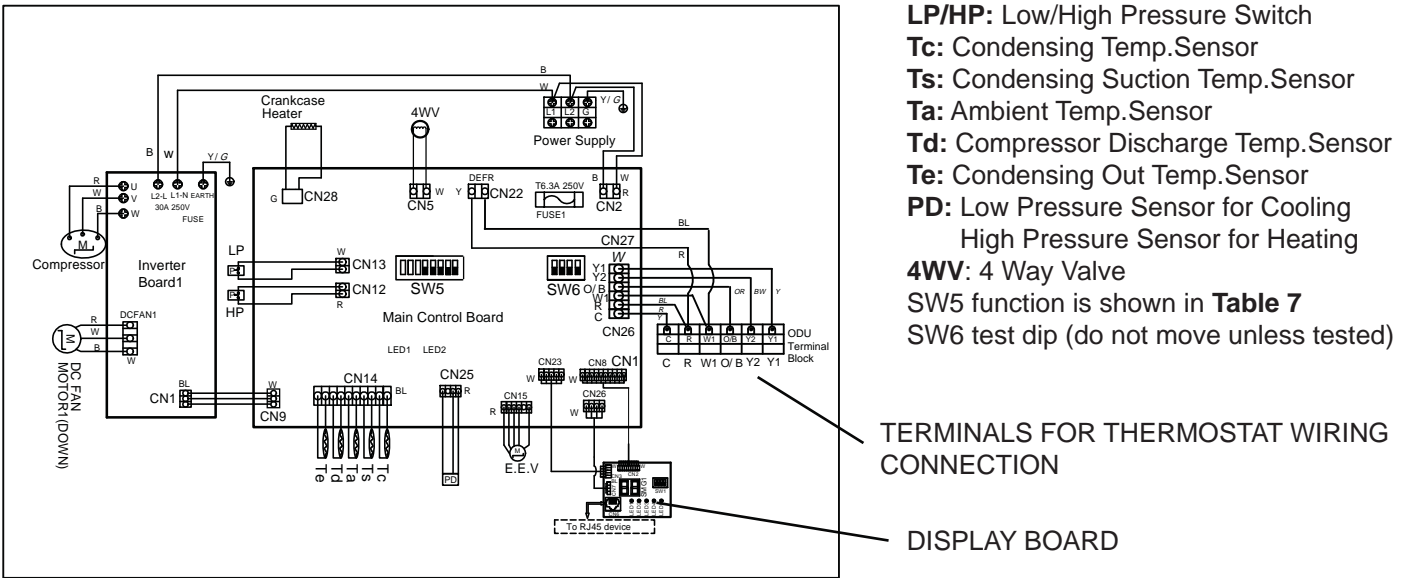


Figure 20. 60K Wiring Diagram

Display Board

Information labels concerning the outdoor control 2-segment display and DIP operations are available on the unit control panel cover.

Alarms

Alarm information is provided on the unit control panel cover.

Charge Mode DIP

To initiate the **NS15H** Charge Mode function, install the charge mode of cooling and heating can be adjusted through the dip switch of the display board.

Charge Mode Operation with a Conventional 24VAC Heat Pump Thermostat.

Charge Mode Display String

When unit is in the cooling charge mode, 2 -segment display displays the current Subcooling.

Charge Mode DIP Operation in the Cooling Mode

The operation mode of DIP switch SW1 on the display board is shown in **Table 9**. After the system is started, the system needs to be stabilized for 10 minutes. Compare the subcooling value that is displayed after 10 minutes with the target subcooling value in **Table 10**.

Charge Mode DIP Operation in the Heat Pump Heating Mode

To test the supercooling degree in heating mode, an external pressure gauge and thermometer need to be connected, and the pressure and measurement temperature are connected as shown in the **Figure 21**. The saturation temperature of the refrigerant is checked through **Table 11**, and the current supercooling degree is obtained by using the temperature measured by the saturation temperature minus the thermometer, and the target supercooling degree is compared with that in **Table 10**.

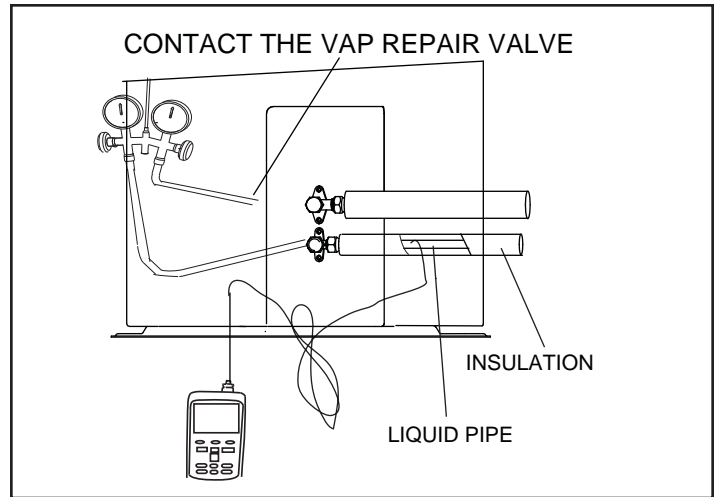


Figure 21.

Table 8. Control Board DIP SW5

| | | SW5 | | | | | |
|------------|--|--------|--------------------|-------|---|-----------------------------|----------|
| SW5_1_2_3* | ODU | | [1] | [2] | [3] | Outdoor Unit Size | |
| | | ON | ■ | | | 18K | |
| | | OFF | | ■ | ■ | 24K | |
| | | ON | | ■ | | 30K | |
| | | OFF | ■ | | ■ | 36K | |
| | | ON | ■ | ■ | | 42K | |
| | | OFF | | | ■ | 48K | |
| | | ON | ■ | | ■ | 60K | |
| | | OFF | | ■ | | Reserved | |
| | | ON | ■ | ■ | ■ | 24V Control | |
| | | OFF | | | | Reserved | |
| | | ON | ■ | | ■ | Reserved | |
| | | OFF | | ■ | | Reserved | |
| | | SW5_4* | Communication Mode | ON | | | Reserved |
| | | OFF | | | 24V Control | | |
| SW5_5_6* | 24V Control Energy Efficiency Testing and Actual Use of Internal Machine Selection | [5] | [6] | | 24V control indoor unit set | | |
| | | OFF | OFF | OFF | IDU 1 | For AHU Test & Use | |
| | | OFF | ON | OFF | IDU 2 | For Coil+Furnace Test & Use | |
| | | ON | OFF | ON | IDU 3 | For A-coil Test | |
| | | ON | ON | IDU 4 | Reserved | | |
| SW5_7 | 24V Control Heat Pump Changeover Valve | ON | | | Heating Changeover Valve: Use this setting if your thermostat heating is "B" | | |
| | | OFF | | | Cooling Changeover Valve: Use this setting if your thermostat cooling is "O". | | |
| SW5_8* | Reserved | ON | | | Reserved | | |
| | | OFF | | | Reserved | | |

* LEAVE AS FACTORY DEFAULT

Table 9. Diagnostic Mode

| SW1 | | 1 | 2 | 3 | 4 | | |
|---------------------------------|---|----------|----------|---------|--|---|---|
| | | Dehum. 1 | Dehum. 2 | Heating | Defrost | Cooling | Heating |
| MODE | ON | | | | | Default Cooling | Default Heating + Default Defrost |
| | OFF | ■ | ■ | ■ | ■ | | |
| | ON | | | | ■ | Default Cooling | Default Heating + Strong Defrost |
| | OFF | ■ | ■ | ■ | | | |
| | ON | | | ■ | | Default Cooling | Comfort Heating or Full-Load Airflow Rate <300 Scfm/Ton + Default Defrost |
| | OFF | ■ | ■ | | ■ | | |
| | ON | | | ■ | ■ | Default Cooling | Comfort Heating or Full-Load Airflow Rate <300 Scfm/Ton + Strong Defrost |
| | OFF | ■ | ■ | | | | |
| | ON | ■ | | | | Dehum. 1 or Full-Load Airflow Rate <300 Scfm/Ton | Default Heating + Default Defrost |
| | OFF | | ■ | ■ | ■ | | |
| | ON | ■ | | | | Dehum. 1 or Full-Load Airflow Rate <300 Scfm/Ton | Default Heating + Strong Defrost |
| | OFF | | ■ | ■ | | | |
| | ON | ■ | | ■ | | Dehum. 1 or Full-Load Airflow Rate <300 Scfm/Ton | Comfort Heating or Full-Load Airflow Rate <300 Scfm/Ton + Default Defrost |
| | OFF | | ■ | | ■ | | |
| | ON | ■ | | ■ | ■ | Dehum. 1 or Full-Load Airflow Rate <300 Scfm/Ton | Comfort Heating or Full-Load Airflow Rate <300 Scfm/Ton + Strong Defrost |
| | OFF | | ■ | | | | |
| | ON | | ■ | | | Dehum. 2 or Full-Load Airflow Rate <300 Scfm/Ton | Default Heating + Default Defrost |
| | OFF | ■ | | ■ | ■ | | |
| | ON | | ■ | | | Dehum. 2 or Full-Load Airflow Rate <300 Scfm/Ton | Default Heating + Strong Defrost |
| | OFF | ■ | | ■ | | | |
| ON | | ■ | ■ | | Dehum. 2 or Full-Load Airflow Rate <300 Scfm/Ton | Comfort Heating or Full-Load Airflow Rate <300 Scfm/Ton + Default Defrost | |
| OFF | ■ | | | ■ | | | |
| ON | | ■ | ■ | ■ | Dehum. 2 or Full-Load Airflow Rate <300 Scfm/Ton | Comfort Heating or Full-Load Airflow Rate <300 Scfm/Ton + Strong Defrost | |
| OFF | ■ | | | | | | |
| FORCED & CHARGE MODE | ON | ■ | ■ | | | TEST MODE | |
| | OFF | | | ■ | ■ | | |
| | ON | ■ | ■ | | ■ | DIAGNOSTIC MODE | |
| | OFF | | | ■ | | | |
| | ON | ■ | ■ | ■ | | CHARGE MODE FOR HEATING | |
| | OFF | | | | ■ | | |
| | ON | ■ | ■ | ■ | ■ | CHARGE MODE FOR COOLING | |
| OFF | | | | | | | |
| FUNCTION DESCRIPTION | 1. When dehum. mode 1 is effective, it will immediately reduces the unit's target evaporation temperature by 2~5°F (1.1~2.8°C); When dehum. mode 2 is effective, it will immediately reduces the unit's target evaporation temperature by 5~7°F (2.8~3.9°C); And reduce the target evaporation temperature by 1.8°F (1.0°C) every 30 minutes until the frequency reaches its maximum or the target evaporation temperature reaches its minimum. | | | | | | |
| | 2. When the comfortable heating mode is effective, it will immediately increases the unit's target condensation temperature by 2~5°F (1.1~2.8°C). And increase the target condensation temperature by 1.8°F every 30 minutes until the frequency reaches its maximum or the target condensation temperature reaches its maximum value. | | | | | | |
| | 3. SW1-4 perform manual defrosting from off to on (only the heating mode is valid, the exit conditions refer to normal defrosting, each dip switch from OFF to ON only enters once, the next time you enter must meet the dip switch from OFF to ON, after manual defrosting, the dip switch is still ON, enter the strong defrosting mode). | | | | | | |
| | 4. When strong defrosting is effective, the unit defrosting interval will be shorter, and the defrosting time will be increased, which is suitable for areas with high humidity. | | | | | | |

| Indoor Matchup | Subcool | | Additional Charge |
|----------------|----------------------------------|----------------------------------|-------------------|
| | Heat ($\pm 3^{\circ}\text{F}$) | Cool ($\pm 1^{\circ}\text{F}$) | lbs/oz |
| 18K HP | | | |
| NAS18E1TB5* | 5 | 6 | 0 lb 6 oz |
| NAS24E1TB5* | 4 | 6 | 0 lb 9 oz |
| NAM18V1TA5* | 5 | 4 | 0 lb 6 oz |
| NAM24E1TA5* | 4 | 4 | 0 lb 9 oz |
| NAM24V1TA5* | 4 | 4 | 0 lb 9 oz |
| NAM24V2TA5* | 4 | 4 | 0 lb 11 oz |
| NCUC24AT5* | 4 | 4 | 0 lb 9 oz |
| NCUC24BT5* | 4 | 4 | 0 lb 9 oz |
| NCUC30AT5* | 3 | 5 | 0 lb 13 oz |
| NCUC30BT5* | 3 | 5 | 0 lb 13 oz |
| NCHC24AT5* | 5 | 3 | 0 lb 3 oz |
| NCHC24BT5* | 6 | 3 | 0 lb 0 oz |
| NCHC30AT5* | 5 | 3 | 0 lb 3 oz |
| NCHC30BT5* | 3 | 5 | 0 lb 13 oz |
| NCDC24AT5* | 5 | 4 | 0 lb 8 oz |
| NCDC24BT5* | 5 | 4 | 0 lb 8 oz |
| 30K HP | | | |
| NAS30E1TB5* | 4 | 7 | 1 lb 5 oz |
| NAS36E1TB5* | 5 | 5 | 1 lb 5 oz |
| NAM30E1TA5* | 4 | 7 | 1 lb 5 oz |
| NAM30V1TA5* | 4 | 7 | 1 lb 5 oz |
| NAM36E1TA5* | 5 | 5 | 1 lb 5 oz |
| NAM36V1TA5* | 5 | 5 | 1 lb 5 oz |
| NAM30V2TA5* | 7 | 7 | 1 lb 2 oz |
| NAM36V2TA5* | 7 | 7 | 1 lb 2 oz |
| NCUC30AT5* | 4 | 5 | 0 lb 14 oz |
| NCUC30BT5* | 4 | 5 | 0 lb 14 oz |
| NCUC36AT5* | 5 | 5 | 1 lb 5 oz |
| NCUC36BT5* | 5 | 5 | 1 lb 5 oz |
| NCHC30AT5* | 4 | 3 | 0 lb 3 oz |
| NCHC30BT5* | 5 | 5 | 1 lb 5 oz |
| NCHC36AT5* | 4 | 3 | 0 lb 5 oz |
| NCHC36BT5* | 4 | 3 | 0 lb 0 oz |
| NCHC36CT5* | 8 | 4 | 0 lb 8 oz |
| NCDC24AT5* | 10 | 4 | 0 lb 8 oz |
| NCDC36BT5* | 10 | 5 | 0 lb 13 oz |
| NCDC42BT5* | 7 | 7 | 1 lb 6 oz |

| Indoor Matchup | Subcool | | Additional Charge |
|----------------|----------------------------------|----------------------------------|-------------------|
| | Heat ($\pm 3^{\circ}\text{F}$) | Cool ($\pm 1^{\circ}\text{F}$) | lbs/oz |
| 24K HP | | | |
| NAS24E1TB5* | 6 | 7 | 1 lb 0 oz |
| NAS30E1TB5* | 5 | 8 | 1 lb 4 oz |
| NAM24E1TA5* | 6 | 7 | 1 lb 0 oz |
| NAM24V1TA5* | 6 | 7 | 1 lb 0 oz |
| NAM30E1TA5* | 5 | 8 | 1 lb 4 oz |
| NAM30V1TA5* | 5 | 8 | 1 lb 4 oz |
| NAM24V2TA5* | 6 | 7 | 1 lb 1 oz |
| NAM30V2TA5* | 5 | 9 | 1 lb 6 oz |
| NCUC24AT5* | 6 | 7 | 1 lb 0 oz |
| NCUC24BT5* | 6 | 7 | 1 lb 0 oz |
| NCUC30AT5* | 5 | 8 | 1 lb 4 oz |
| NCUC30BT5* | 5 | 8 | 1 lb 4 oz |
| NCUC36AT5* | 4 | 9 | 1 lb 7 oz |
| NCUC36BT5* | 4 | 9 | 1 lb 7 oz |
| NCHC18AT5* | 7 | 6 | 0 lb 0 oz |
| NCHC24AT5* | 6 | 7 | 0 lb 10 oz |
| NCHC24BT5* | 7 | 7 | 0 lb 7 oz |
| NCHC30AT5* | 6 | 7 | 0 lb 10 oz |
| NCHC30BT5* | 7 | 9 | 1 lb 6 oz |
| NCDC24AT5* | 6 | 7 | 0 lb 14 oz |
| NCDC24BT5* | 6 | 7 | 0 lb 14 oz |
| 36K HP | | | |
| NAS36E1TB5* | 4 | 5 | 1 lb 5 oz |
| NAS42E1TB5* | 4 | 5 | 1 lb 5 oz |
| NAM36E1TA5* | 4 | 5 | 1 lb 5 oz |
| NAM36V1TA5* | 4 | 5 | 1 lb 5 oz |
| NAM42E1TA5* | 4 | 5 | 1 lb 5 oz |
| NAM42V1TA5* | 4 | 5 | 1 lb 5 oz |
| NAM36V2TA5* | 5 | 4 | 1 lb 2 oz |
| NAM42V2TA5* | 3 | 5 | 2 lb 0 oz |
| NCUC30AT5* | 5 | 4 | 0 lb 14 oz |
| NCUC30BT5* | 5 | 4 | 0 lb 14 oz |
| NCUC36AT5* | 4 | 6 | 1 lb 5 oz |
| NCUC36BT5* | 4 | 6 | 1 lb 5 oz |
| NCUC37CT5* | 4 | 6 | 1 lb 5 oz |
| NCHC36AT5* | 6 | 4 | 0 lb 5 oz |
| NCHC36BT5* | 6 | 3 | 0 lb 0 oz |
| NCHC36CT5* | 6 | 4 | 0 lb 8 oz |
| NCDC36BT5* | 4 | 4 | 0 lb 13 oz |
| NCDC36CT5* | 4 | 4 | 0 lb 13 oz |
| NCDC42BT5* | 3 | 6 | 1 lb 6 oz |
| NCDC48CT5* | 3 | 7 | 1 lb 11 oz |

**Table 10. Indoor Unit Matches and Sub-cooling Charge Levels (TXV System)
and Additional Charge (15 ft. Line set)**

NOTE: Please check GEAppliancesAirandWater.com for the latest AHRI listed match technical data.

| Indoor Matchup | Subcool | | Additional Charge |
|----------------|----------------------------------|----------------------------------|-------------------|
| | Heat ($\pm 3^{\circ}\text{F}$) | Cool ($\pm 1^{\circ}\text{F}$) | lbs/oz |
| 42K HP | | | |
| NAS42E1TB5* | 4 | 4 | 0 lb 0 oz |
| NAS48E1TB5* | 4 | 5 | 0 lb 6 oz |
| NAM42E1TA5* | 4 | 4 | 0 lb 0 oz |
| NAM42V1TA5* | 4 | 4 | 0 lb 0 oz |
| NAM48E1TA5* | 5 | 5 | 0 lb 6 oz |
| NAM48V1TA5* | 5 | 5 | 0 lb 6 oz |
| NAM42V2TA5* | 5 | 4 | 1 lb 6 oz |
| NAM48V2TA5* | 5 | 4 | 1 lb 6 oz |
| NCUC48BT5* | 6 | 5 | 0 lb 6 oz |
| NCUC48CT5* | 6 | 5 | 0 lb 6 oz |
| NCUC49CT5* | 5 | 5 | 0 lb 11 oz |
| NCHC42BT5* | 4 | 5 | 1 lb 8 oz |
| NCHC42CT5* | 3 | 3 | 0 lb 2 oz |
| NCHC48BT5* | 3 | 3 | 0 lb 1 oz |
| NCHC48CT5* | 4 | 3 | 0 lb 2 oz |
| NCDC42BT5* | 3 | 3 | 0 lb 2 oz |
| NCDC48CT5* | 3 | 5 | 0 lb 7 oz |

| Indoor Matchup | Subcool | | Additional Charge |
|----------------|----------------------------------|----------------------------------|-------------------|
| | Heat ($\pm 3^{\circ}\text{F}$) | Cool ($\pm 1^{\circ}\text{F}$) | lbs/oz |
| 48K HP | | | |
| NAS48E1TB5* | 4 | 11 | 0 lb 4 oz |
| NAS60E1TB5* | 4 | 11 | 0 lb 13 oz |
| NAM48E1TA5* | 5 | 11 | 0 lb 4 oz |
| NAM60E1TA5* | 5 | 11 | 0 lb 13 oz |
| NAM48V1TA5* | 5 | 11 | 0 lb 4 oz |
| NAM60V1TA5* | 5 | 11 | 0 lb 13 oz |
| NAM48V2TA5* | 5 | 11 | 0 lb 14 oz |
| NAM60V2TA5* | 5 | 11 | 1 lb 8 oz |
| NCUC48BT5* | 6 | 9 | 0 lb 4 oz |
| NCUC48CT5* | 6 | 9 | 0 lb 4 oz |
| NCUC49CT5* | 5 | 9 | 0 lb 8 oz |
| NCUC5060CT5* | 5 | 9 | 0 lb 4 oz |
| NCHC42BT5* | 6 | 8 | 1 lb 2 oz |
| NCHC42CT5* | 6 | 11 | 0 lb 0 oz |
| NCHC48BT5* | 6 | 11 | 0 lb 0 oz |
| NCHC48CT5* | 6 | 11 | 0 lb 0 oz |
| NCHC60CT5* | 9 | 11 | 0 lb 14 oz |
| NCHC60DT5* | 4 | 9 | 1 lb 5 oz |
| NCDC42BT5* | 6 | 9 | 0 lb 0 oz |
| NCDC48CT5* | 7 | 9 | 0 lb 6 oz |
| NCDC60CT5* | 7 | 9 | 0 lb 11 oz |
| 60K HP | | | |
| NAS60E1TB5* | 5 | 3 | 0 lb 10 oz |
| NAM60E1TA5* | 5 | 3 | 0 lb 10 oz |
| NAM60V1TA5* | 5 | 3 | 0 lb 10 oz |
| NAM60V2TA5* | 5 | 3 | 1 lb 7 oz |
| NCUC5060CT5* | 5 | 3 | 0 lb 0 oz |
| NCUC60CT5* | 5 | 3 | 0 lb 10 oz |
| NCUC60DT5* | 5 | 3 | 0 lb 5 oz |
| NCHC60CT5* | 5 | 3 | 1 lb 3 oz |
| NCHC60DT5* | 5 | 3 | 1 lb 3 oz |
| NCDC60CT5* | 5 | 3 | 0 lb 8 oz |
| NCDC60DT5* | 5 | 3 | 0 lb 8 oz |

**Table 10 Cont. - Indoor Unit Matches and Sub-cooling Charge Levels (TXV System)
and Additional Charge (15 ft. Line set)**

NOTE: Please check GEAppliancesAirandWater.com for the latest AHRI listed match technical data.

Diagnostic Mode Check Table

1. When the diagnostic mode is activated, the inspection sequence number and the inspection content will be displayed content will be displayed in sequence, such as 00 24 02 Co 15 13 18 --.The content will be displayed in the sequence described by table 3. The display will show the sequence number for 1 second. Then it will display the content value for 1 second. Then it will display the content value for 1 second.
2. After the unit has cycled through all content and content values, it will return to normal display.

| NO. | Point Check Content | Example | Remark |
|-----|---------------------------------|---------|--|
| 0 | Outdoor Unit Capacity | 24 | Model |
| 1 | Outdoor Unit Mode | Co | Cooling: Co, Heating: He, Holding State: oF, Return Oil Mode: ol, Defrost: dE |
| 2 | Compressor Speed | 56 | Units: Hz |
| 3 | Outdoor Fan Speed Step | 6 | The current fan speed step is at 6. |
| 4 | Opening of EXV | 26 | Actual value/10 (Round) |
| 5 | Target Refrigerant Temperature | 48 | Cooling: ETS, Heating CTS, Units: °F |
| 6 | Current Refrigerant Temperature | 48 | Cooling: ETS, Heating CTS, Units: °F |
| 7 | Tao | 95 | Units: °F |
| 8 | TC | 115 | Units: °F |
| 9 | Te | 109 | Units: °F |
| 10 | Ts | 65 | Units: °F |
| 11 | Td | 156 | Units: °F |
| 12 | Compressor Input Current | 10 | Units: A |
| 13 | Module Temp | 65 | Units: °F |
| 14 | Soft Ver. | 30 | Mean: Software Version is 3.0 |
| 15 | E2 Ver. | 12 | Mean: E2 Parameter Version is 1.2 |
| 16 | ER | ER | If the ER is displayed, it indicates a malfunction. If there is no malfunction, it will not be displayed and will be skipped directly. |
| 17 | The Current Fault Code | 12 | If 16 indicates "ER", display the current fault code; otherwise, skip without showing anything. |
| 18 | -- | -- | End Mark |

1. When the number exceeds 100, it is represented by letters. A1 stands for 101, B1 represents 111, and C1 indicates 121.
2. Add a dot after the negative value, for example, 01. represents -1°F.

Table 11. HFC-454B Temperature (°F) Pressure (Psig)

| Pressure (psig) | Saturated Liquid Temp (°F) | Saturated Vapor Temp (°F) | Pressure (psig) | Saturated Liquid Temp (°F) | Saturated Vapor Temp (°F) | Pressure (psig) | Saturated Liquid Temp (°F) | Saturated Vapor Temp (°F) | Pressure (psig) | Saturated Liquid Temp (°F) | Saturated Vapor Temp (°F) |
|-----------------|----------------------------|---------------------------|-----------------|----------------------------|---------------------------|-----------------|----------------------------|---------------------------|-----------------|----------------------------|---------------------------|
| 0 | -58.9 | -57.1 | 158 | 58.9 | 61.3 | 272 | 93.0 | 95.4 | 362 | 113.3 | 115.6 |
| 25 | -19.2 | -17.2 | 160 | 59.6 | 62.0 | 274 | 93.5 | 95.9 | 364 | 113.8 | 116.0 |
| 30 | -13.9 | -11.8 | 165 | 61.4 | 63.8 | 276 | 94.0 | 96.4 | 366 | 114.2 | 116.4 |
| 35 | -9.0 | -6.9 | 170 | 63.1 | 65.5 | 278 | 94.5 | 96.9 | 368 | 114.6 | 116.8 |
| 40 | -4.4 | -2.3 | 175 | 64.9 | 67.3 | 280 | 95.0 | 97.4 | 370 | 115.0 | 117.2 |
| 45 | -0.2 | 1.9 | 180 | 66.6 | 69.0 | 282 | 95.5 | 97.9 | 372 | 115.4 | 117.6 |
| 50 | 3.7 | 5.9 | 185 | 68.2 | 70.6 | 284 | 96.0 | 98.4 | 374 | 115.8 | 118.0 |
| 55 | 7.5 | 9.7 | 190 | 69.8 | 72.2 | 286 | 96.5 | 98.8 | 376 | 116.2 | 118.4 |
| 60 | 11.0 | 13.2 | 195 | 71.4 | 73.8 | 288 | 97.0 | 99.3 | 378 | 116.6 | 118.8 |
| 65 | 14.4 | 16.6 | 200 | 73.0 | 75.4 | 290 | 97.5 | 99.8 | 380 | 117.0 | 119.2 |
| 70 | 17.6 | 19.8 | 202 | 73.6 | 76.0 | 292 | 97.9 | 100.3 | 382 | 117.4 | 119.5 |
| 75 | 20.6 | 22.9 | 204 | 74.2 | 76.6 | 294 | 98.4 | 100.7 | 384 | 117.7 | 119.9 |
| 80 | 23.6 | 25.9 | 206 | 74.9 | 77.3 | 296 | 98.9 | 101.2 | 386 | 118.1 | 120.3 |
| 85 | 26.4 | 28.7 | 208 | 75.5 | 77.9 | 298 | 99.4 | 101.7 | 388 | 118.5 | 120.7 |
| 90 | 29.1 | 31.4 | 210 | 76.1 | 78.5 | 300 | 99.8 | 102.1 | 390 | 118.9 | 121.1 |
| 95 | 31.7 | 34.0 | 212 | 76.7 | 79.1 | 302 | 100.3 | 102.6 | 392 | 119.3 | 121.5 |
| 100 | 34.3 | 36.6 | 214 | 77.3 | 79.7 | 304 | 100.7 | 103.1 | 394 | 119.7 | 121.9 |
| 102 | 35.3 | 37.6 | 216 | 77.9 | 80.2 | 306 | 101.2 | 103.5 | 396 | 120.1 | 122.2 |
| 104 | 36.2 | 38.6 | 218 | 78.4 | 80.8 | 308 | 101.7 | 104.0 | 398 | 120.4 | 122.6 |
| 106 | 37.2 | 39.5 | 220 | 79.0 | 81.4 | 310 | 102.1 | 104.4 | 400 | 120.8 | 123.0 |
| 108 | 38.1 | 40.5 | 222 | 79.6 | 82.0 | 312 | 102.6 | 104.9 | 405 | 121.8 | 123.9 |
| 110 | 39.1 | 41.4 | 224 | 80.2 | 82.6 | 314 | 103.0 | 105.3 | 410 | 122.7 | 124.8 |
| 112 | 40.0 | 42.4 | 226 | 80.8 | 83.1 | 316 | 103.5 | 105.8 | 415 | 123.6 | 125.8 |
| 114 | 40.9 | 43.3 | 228 | 81.3 | 83.7 | 318 | 103.9 | 106.2 | 420 | 124.6 | 126.7 |
| 116 | 41.8 | 44.2 | 230 | 81.9 | 84.3 | 320 | 104.4 | 106.7 | 425 | 125.5 | 127.6 |
| 118 | 42.7 | 45.1 | 232 | 82.5 | 84.8 | 322 | 104.8 | 107.1 | 430 | 126.4 | 128.5 |
| 120 | 43.6 | 46.0 | 234 | 83.0 | 85.4 | 324 | 105.3 | 107.6 | 435 | 127.3 | 129.3 |
| 122 | 44.5 | 46.9 | 236 | 83.6 | 86.0 | 326 | 105.7 | 108.0 | 440 | 128.2 | 130.2 |
| 124 | 45.4 | 47.7 | 238 | 84.1 | 86.5 | 328 | 106.2 | 108.4 | 445 | 129.0 | 131.1 |
| 126 | 46.2 | 48.6 | 240 | 84.7 | 87.1 | 330 | 106.6 | 108.9 | 450 | 129.9 | 132.0 |
| 128 | 47.1 | 49.4 | 242 | 85.2 | 87.6 | 332 | 107.0 | 109.3 | 460 | 131.6 | 133.7 |
| 130 | 47.9 | 50.3 | 244 | 85.8 | 88.1 | 334 | 107.5 | 109.7 | 470 | 133.3 | 135.3 |
| 132 | 48.8 | 51.1 | 246 | 86.3 | 88.7 | 336 | 107.9 | 110.2 | 480 | 135.0 | 137.0 |
| 134 | 49.6 | 51.9 | 248 | 86.8 | 89.2 | 338 | 108.3 | 110.6 | 490 | 136.7 | 138.6 |
| 136 | 50.4 | 52.8 | 250 | 87.4 | 89.7 | 340 | 108.8 | 111.0 | 500 | 138.3 | 140.2 |
| 138 | 51.2 | 53.6 | 252 | 87.9 | 90.3 | 342 | 109.2 | 111.4 | 510 | 139.9 | 141.7 |
| 140 | 52.0 | 54.4 | 254 | 88.4 | 90.8 | 344 | 109.6 | 111.9 | 520 | 141.5 | 143.3 |
| 142 | 52.8 | 55.2 | 256 | 88.9 | 91.3 | 346 | 110.0 | 112.3 | 530 | 143.0 | 144.8 |
| 144 | 53.6 | 56.0 | 258 | 89.5 | 91.8 | 348 | 110.4 | 112.7 | 540 | 144.5 | 146.3 |
| 146 | 54.3 | 56.7 | 260 | 90.0 | 92.4 | 350 | 110.9 | 113.1 | 550 | 146.1 | 147.8 |
| 148 | 55.1 | 57.5 | 262 | 90.5 | 92.9 | 352 | 111.3 | 113.5 | 560 | 147.5 | 149.2 |
| 150 | 55.9 | 58.3 | 264 | 91.0 | 93.4 | 354 | 111.7 | 113.9 | 570 | 149.0 | 150.7 |
| 152 | 56.6 | 59.0 | 266 | 91.5 | 93.9 | 356 | 112.1 | 114.4 | 580 | 150.5 | 152.1 |
| 154 | 57.4 | 59.8 | 268 | 92.0 | 94.4 | 358 | 112.5 | 114.8 | 590 | 151.9 | 153.5 |
| 156 | 58.1 | 60.5 | 270 | 92.5 | 94.9 | 360 | 112.9 | 115.2 | 600 | 153.3 | 154.8 |

Note

- 1.R454B is a zeotropic blend and must be charged with liquid refrigerant only.
- 2.Saturated liquid temperature is used to calculate liquid subcooling.
- 3.Saturated Vapor temperature is used to calculate suction superheat.
- 4.See unit charging label for subcooling values and additional charging information.

Operating and Temperature Pressures (All Builds)

Minor variations in these pressures may be expected due to differences in installations. Significant differences could mean that the system is not properly charged or that a problem exists with some component in the system.

Table 12. Charge Mode Operating Pressure – Liquid ±10 and Vapor ±5 psig

| °F (°C) | 18K | | | 24K | | | 30k | | | 36k | | |
|--------------------------|------------|------------|----------|------------|------------|----------|------------|------------|----------|------------|------------|----------|
| | Liq. (PSI) | Vap. (PSI) | IDU SCFM | Liq. (PSI) | Vap. (PSI) | IDU SCFM | Liq. (PSI) | Vap. (PSI) | IDU SCFM | Liq. (PSI) | Vap. (PSI) | IDU SCFM |
| Heating Operation | | | | | | | | | | | | |
| 20(-7) | 248 | 61 | 600 | 248 | 61 | 800 | 243 | 63 | 940 | 243 | 63 | 1080 |
| 30(-1) | 259 | 74 | | 259 | 74 | | 261 | 76 | | 261 | 76 | |
| 35(2) | 268 | 83 | | 268 | 83 | | 365 | 82 | | 365 | 82 | |
| 40(4) | 274 | 86 | | 274 | 86 | | 271 | 91 | | 271 | 91 | |
| 50(10) | 290 | 105 | | 290 | 105 | | 286 | 110 | | 286 | 110 | |
| 60(16) | 308 | 120 | | 308 | 120 | | 300 | 124 | | 300 | 124 | |
| Cooling Operation | | | | | | | | | | | | |
| 65(18) | 202 | 141 | 600 | 202 | 137 | 800 | 224 | 133 | 940 | 224 | 133 | 1080 |
| 70(21) | 221 | 141 | | 221 | 137 | | 244 | 133 | | 244 | 133 | |
| 75(24) | 240 | 142 | | 240 | 138 | | 265 | 134 | | 265 | 134 | |
| 80(27) | 261 | 143 | | 261 | 139 | | 286 | 135 | | 286 | 135 | |
| 85(29) | 275 | 142 | | 275 | 138 | | 306 | 134 | | 306 | 134 | |
| 90(32) | 298 | 144 | | 298 | 140 | | 324 | 136 | | 324 | 136 | |
| 95(35) | 322 | 146 | | 322 | 142 | | 351 | 138 | | 351 | 138 | |
| 100(38) | 349 | 148 | | 349 | 144 | | 375 | 140 | | 375 | 140 | |
| 105(41) | 374 | 149 | | 374 | 145 | | 402 | 141 | | 402 | 141 | |
| 110(43) | 394 | 150 | | 394 | 146 | | 420 | 142 | | 420 | 142 | |
| 115(46) | 420 | 151 | | 420 | 147 | | 449 | 143 | | 449 | 143 | |
| Heating Operation | | | | | | | | | | | | |
| 20(-7) | 248 | 61 | 1200 | 248 | 61 | 1600 | 254 | 59 | 1900 | 254 | 59 | 1900 |
| 30(-1) | 259 | 74 | | 259 | 74 | | 268 | 73 | | 268 | 73 | |
| 35(2) | 268 | 83 | | 268 | 83 | | 274 | 79 | | 274 | 79 | |
| 40(4) | 274 | 86 | | 274 | 86 | | 278 | 85 | | 278 | 85 | |
| 50(10) | 290 | 105 | | 290 | 105 | | 291 | 98 | | 291 | 98 | |
| 60(16) | 308 | 120 | | 308 | 120 | | 299 | 107 | | 299 | 107 | |
| Cooling Operation | | | | | | | | | | | | |
| 65(18) | 202 | 134 | 1200 | 202 | 130 | 1600 | 199 | 126 | 1900 | 199 | 126 | 1900 |
| 70(21) | 221 | 135 | | 221 | 131 | | 215 | 127 | | 215 | 127 | |
| 75(24) | 240 | 137 | | 240 | 133 | | 234 | 129 | | 234 | 129 | |
| 80(27) | 261 | 140 | | 261 | 136 | | 254 | 132 | | 254 | 132 | |
| 85(29) | 275 | 141 | | 275 | 137 | | 267 | 133 | | 267 | 133 | |
| 90(32) | 298 | 143 | | 298 | 139 | | 289 | 135 | | 289 | 135 | |
| 95(35) | 322 | 145 | | 322 | 141 | | 312 | 137 | | 312 | 137 | |
| 100(38) | 349 | 146 | | 349 | 142 | | 336 | 138 | | 336 | 138 | |
| 105(41) | 374 | 147 | | 374 | 143 | | 362 | 139 | | 362 | 139 | |
| 110(43) | 394 | 149 | | 394 | 145 | | 379 | 141 | | 379 | 141 | |
| 115(46) | 420 | 150 | | 420 | 146 | | 408 | 142 | | 408 | 142 | |

Unit Operation

NS15H Unit Operation with a Conventional 24VAC 2-Stage Thermostat

When the **NS15H** unit is installed with a conventional 24VAC 2-stage thermostat, a Y1 first stage heating or cooling demand will initiate heating or cooling operation and first stage indoor blower operation. The compressor will be controlled in the variable capacity mode by varying the compressor capacity to obtain the target suction pressure set point. The Y2 second stage heating or cooling demand will initiate second stage blower operation. Increased air volume will increase the load on the indoor coil and increase the suction pressure. The **NS15H** compressor capacity will continue to be controlled based upon the suction pressure. The unit capacity will be controlled in the variable capacity mode throughout the range of capacity from minimum capacity to maximum capacity. If the Y2 demand remains after 30 minutes, the **NS15H** control will begin to adjust the target refrigerant temperature (evaporating for cooling and condensing for heating) to enable the compressor to reach its maximum speed. The minimum value for ETS can be as low as 36°F (2.22°C), and the maximum value for CTS can reach up to 131°F (55°C).

The **NS15H** unit will cycle off once the thermostat demand is satisfied.

NOTE: The unit will time the first 30 minutes when power is cycled and this 30 minutes will not be included in the 30 minute timer for Y2 active.

Unit Operation with a Conventional 24VAC Single-Stage Thermostat

When the unit is installed with a conventional 24VAC single-stage thermostat, the Y signal of the single-stage thermostat must be connected.

The compressor will be controlled in the variable capacity mode by varying the compressor capacity to obtain the target suction pressure set point.

If the heating or cooling demand remains after 30 minutes, the **NS15H** control will begin to adjust the target refrigerant temperature (evaporating for cooling and condensing for heating) to enable the compressor to reach its maximum speed. The minimum value for ETS can be as low as 36°F (2.22°C), and the maximum value for CTS can reach up to 131°F (55°C).

The **NS15H** unit will cycle off once the thermostat demand is satisfied.

NOTE: The unit will time the first 30 minutes when power is cycled and this 30 minutes will not be included in the 30 minute timer for Y2 active.

Start-Up

CAUTION

If unit is equipped with a crankcase heater, it should be energized 24 hours before unit start-up to prevent compressor damage as a result of slugging.

1. Rotate fan to check for frozen bearings or binding.
2. Inspect all factory and field-installed wiring for loose connections.
3. After evacuation is complete, open liquid line and suction line service valves to release refrigerant charge (contained in outdoor unit) into system.
4. Replace the stem caps and secure finger tight, then tighten an additional 1/6 of a turn.
5. Check voltage supply at the disconnect switch. The voltage must be within the range listed on the unit nameplate. If not, do not start equipment until the power company has been consulted and the voltage condition corrected.
6. Set thermostat for cooling demand, turn on power to indoor blower, and close the outdoor unit disconnect switch to start the unit.
7. Recheck unit voltage with unit running. Power must be within range shown on unit nameplate.

Refrigerant Charging

CAUTION

Excessive amounts of liquid refrigerant entering the suction line can damage the compressor. When adding refrigerant, precautions must be taken to control the flow of liquid into the system. This can be done by using a liquid vaporizing adapter or manual control using a sight glass as indicator.

Units are factory charged with the amount of R-454B refrigerant indicated on the unit rating plate. This charge is based on a matching indoor coil and outdoor coil with 15' line set. For varying lengths of line set, refer to **Table 13** for refrigerant charge adjustment. A blank space is provided on the unit rating plate to list the actual field charge.

Table 13. Refrigerant Charge Adjustment

| Liquid Line Set Diameter | Refrig. Charge Adjustment from 15ft (4.57 m) line set* |
|---|---|
| 3/8 in. | 2.75 oz. per 5 ft. Or 0.55 oz. per 1 ft. Or 51.15 g per 1 m |
| * If line length is greater than 15 ft. (4.57 m), add this amount. If line length is less than 15 ft. (4.57 m), remove this amount. | |

▲ IMPORTANT

Mineral oils are not compatible with R-454B. If oil must be added, it must be a polyolester oil.

NOTE: Both airflow and refrigerant charge must be monitored for proper system set-up. It may be necessary to alternately check and adjust the airflow and the refrigerant charge.

If the system is void of refrigerant, or if the outdoor ambient temperature is cool, use the weigh-in method to charge the unit. Do this after any leaks have been repaired.

1. Recover the refrigerant from the unit.
2. Conduct a leak check, then evacuate as previously outlined.
3. Weigh in the charge according to the total amount shown on the unit nameplate.

If weighing facilities are not available or if unit is being charged during warm weather, use one of the following procedures.

- **For systems using a TXV on the indoor evaporator and outdoor temperature above 60°F (15.5°C)** – charge in cooling mode using the subcooling method and table provided on the unit access panel.
- **For systems below 60°F (15.5°C)** – charge in heating mode using the subcooling method and table provided on the unit access panel. Attach low pressure gauge hose to auxiliary service port to access suction side in heating mode.

NOTE: All unit table values are based on 70 to 80°F (21.1 to 26.7°C) indoor return air temperature for cooling mode, and 65°F to 75°F (18.3 to 23.9°C) return air temperature for heat mode.

High Pressure Switch

This unit is equipped with a high pressure switch which is located on the liquid line. The SPST, normally closed pressure switch opens when liquid line pressure rises above the factory setting of 590 +/- 15 psig (4068 +/- 103 kpa) and automatically resets at 418 +/- 15 psig (2882 +/- 103 kpa).

Torque Requirements

When servicing or repairing HVAC components, ensure the fasteners are appropriately tightened. **Table 14** shows torque values for fasteners.

Table 14. Torque Table

| Fastener | Torque |
|--------------------|------------------------|
| Valve Stems | 4 in. lbs. (0.45 N.m) |
| Stem Caps | 8 ft. lbs. (10.85 N.m) |
| Service Port Caps | 8 ft. lbs. (10.85 N.m) |
| Sheet Metal Screws | 16 in. lbs. (1.81 N.m) |
| #8 Machine Screws | 16 in. lbs. (1.81 N.m) |
| #10 Machine Screws | 28 in. lbs. (3.16 N.m) |
| Compressor Bolts | 90 in. lbs. (10.17 Nm) |

Liquid and Suction Line Service Valves

The liquid line and suction line service valves (see **Figure 22**) and service ports are used for leak testing, evacuation, charging, and checking charge.

Each valve is equipped with a service port which has a factory-installed Schrader valve. A service port cap protects the Schrader valve from contamination and serves as the primary leak seal.

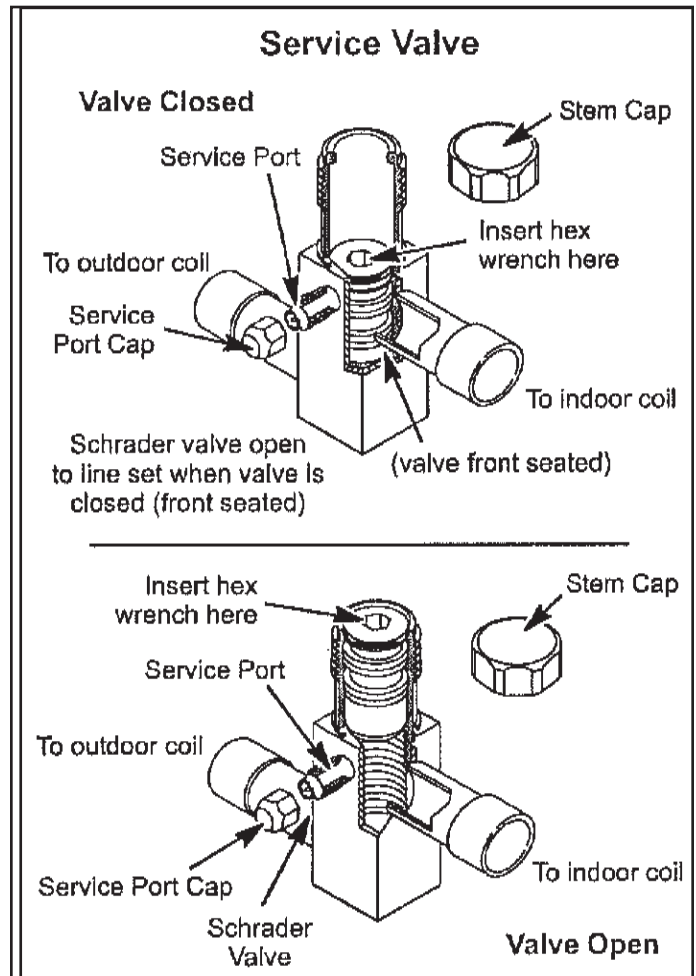


Figure 22.

To Access the Schrader Port:

1. Remove the service port cap with an adjustable wrench.
2. Connect gauge to the service port.
3. When testing is completed, replace service port cap. Tighten finger tight, then an additional 1/6 turn.

Maintenance

Regular Maintenance Requirements

Your system should be regularly inspected by a qualified service technician. These regular visits may include (among other things) checks for:

- Motor operation
- Ductwork air leaks
- Coil & drain pan cleanliness (indoor & outdoor)
- Electrical component operation & wiring check
- Proper refrigerant level & refrigerant leaks
- Proper airflow
- Drainage of condensate
- Air filter(s) performance
- Blower wheel alignment, balance & cleaning
- Primary & secondary drain line cleanliness
- Proper defrost operation (heat pumps)

Air Filter

Inspect air filters at least monthly and replace or clean as required. Disposable filters should be replaced. Washable filters may be cleaned by soaking in mild detergent and rinsing with cold water. Allow filter to dry before reinstalling. Replace filters with the arrows pointing in the direction of airflow. Dirty filters are the most common cause of poor heating / cooling performance and compressor failures.

Indoor Coil

If the system has been operated with a clean filter in place, it should require minimal cleaning. If cleaning is needed, call your dealer for service.

Condensate Drain

During cooling season check at least monthly for free flow of drainage and clean if necessary.

Condenser Coils

Grass cuttings, leaves, dirt, dust, lint from clothes dryers, and foliage from trees can be drawn into coils by movement of the air. Clogged condenser coils will lower the efficiency of your unit and could cause damage to the condenser.

Periodically, debris should be brushed from the condenser coils. Use a soft bristle brush with light pressure only. DO NOT damage or bend condenser coil fins. Damaged or bent fins may affect unit operation.

⚠ WARNING
SHARP OBJECT HAZARD!

Condenser coils have sharp edges. Wear adequate body protection on body extremities (e.g. gloves).

FAILURE TO FOLLOW THIS WARNING COULD RESULT IN BODILY INJURY.

To Open Liquid or Suction Line Service Valve:

1. Remove stem cap with an adjustable wrench.
2. Use service wrench with a hex-head extension to back the stem out counterclockwise as far as it will go. Use a 3/16" hex head extension for liquid line service valves and a 5/16" extension for suction line service valves.
3. Replace the stem cap. Tighten finger tight, then tighten an additional 1/6 turn.

To Close Liquid or Suction Line Service Valve:

1. Remove the stem cap with an adjustable wrench.
2. Use a service wrench with a hex-head extension to turn the stem clockwise to seat the valve. Tighten firmly.
3. Replace the stem cap. Tighten finger tight, then tighten an additional 1/6 turn.

Suction Line (Ball Type) Service Valve

Suction line (ball type) service valves function the same way as the other valves; the difference is in the construction (see Figure 23).

The ball valve is equipped with a service port with a factory-installed Schrader valve. A service port cap protects the Schrader valve from contamination and serves as the primary seal.

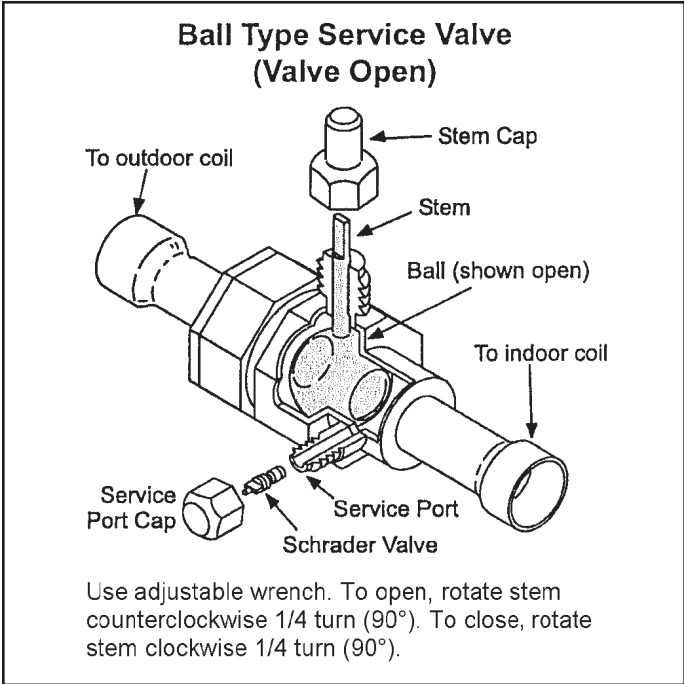


Figure 23.

Painted Surfaces

For maximum protection of the unit's finish, a good grade of automobile wax should be applied every year. In geographical areas where water has a high concentration of minerals (calcium, iron, sulfur, etc.), it is recommended that lawn sprinklers not be allowed to spray the unit. In such applications, the sprinklers should be directed away from the unit. Failure to follow this precaution may result in premature deterioration of the unit finish and metal components.

In sea coast areas, special maintenance is required due to the corrosive atmosphere provided by the high salt concentration in ocean mists and the air. Periodic washing of all exposed surfaces and coil will add life to your unit. Please consult your installing dealer for proper procedures in your geographic area.

Homeowner Information



WARNING

ELECTRICAL SHOCK HAZARD!

Turn OFF electric power to unit before performing any maintenance or removing panels or doors.

FAILURE TO DO SO COULD RESULT IN BODILY INJURY OR DEATH.

Heat Pump Operation

Your new heat pump has several characteristics that you should be aware of:

- Heat pumps satisfy heating demand by delivering large amounts of warm air into the living space. This is quite different from gas-or oil-fired furnaces or an electric furnace which deliver lower volumes of considerably hotter air to heat the space.
- Do not be alarmed if you notice frost on the outdoor coil in the winter months. Frost may develop on the outdoor coil during the heating cycle when temperatures are below 45°F (7.22°C). An electronic control activates a defrost cycle lasting 5 to 15 minutes at preset intervals to clear the outdoor coil of the frost.
- During the defrost cycle, you may notice steam rising from the outdoor unit. This is a normal occurrence. The thermostat may engage auxiliary heat during the defrost cycle to satisfy a heating demand; however, the unit will run to normal operation at the conclusion of the defrost cycle.

In case of extended power outage...

If the outdoor temperature is below 50°F (10°C) and power to your outdoor unit has been interrupted for one hour or longer, observe the following when restoring power to your heat pump system.

- Set the room thermostat selector to the "Emergency Heat" setting to obtain temporary heat for a minimum of 6 hours. This will allow system refrigerant pressures and temperatures enough time to return to a stabilized condition.
- In Emergency Heat mode, all heating demand is satisfied by auxiliary heat; heat pump operation is locked out. After a 6 hour "warm-up" period, the thermostat can then be switched to the "Heat" setting and normal heat pump operation may resume.

Thermostat Operation

The wall-mounted thermostat controls your heat pump. The thermostat is available in various configurations from different manufacturers. The information below is typical for most thermostats. Ask your dealer for specific information regarding the model of thermostat installed.

Fan Switch

In AUTO or INT (intermittent) mode, the blower operates only when the thermostat calls for heating or cooling. This mode is generally preferred when humidity control is a priority.

The ON or CONT mode provides continuous indoor blower operation, regardless of whether the compressor or auxiliary heat are operating. This mode is required when constant air circulation or filtering is desired.

On models without a fan selection switch, the fan will cycle with the outdoor unit.

System Switch

Set the system switch for heating, cooling or auto operation. The auto mode allows the heat pump to automatically switch from heating mode to cooling mode to maintain predetermined comfort settings. Many heat pump thermostats are also equipped with an emergency heat mode which locks out heat pump operation and provides temporary heat supplied by the auxiliary heat.

Indicating Light

Most heat pump thermostats have an amber light which indicates when the heat pump is operating in the emergency heat mode.

Temperature Indicator

The temperature indicator displays the actual room temperature.

Programmable Thermostats

Your system may be controlled by a programmable thermostat. These thermostats provide the added feature of programmable time-of-day set points for both heating and cooling. Refer to the user's information manual provided with your particular thermostat for operation details.

Important System Information

- Your system should never be operated without a clean air filter properly installed.
- Return air and supply air registers should be free from restrictions or obstructions to allow full flow of air.

IF YOUR SYSTEM DOES NOT WORK, BEFORE REQUESTING A SERVICE CALL:

1. Ensure thermostat is set below (cooling) or above (heating) room temperature and that the system lever is in the "COOL", "HEAT" or "AUTO" position.
2. Inspect your return air filter: If it is dirty, your heat pump may not function properly.
3. Check indoor and outdoor disconnect switches. Confirm circuit breakers are ON or that fuses have not blown. Reset breakers/replace fuses as necessary.
4. Inspect the outdoor unit for clogged condenser coils, (grass cuttings, leaves, dirt, dust or lint). Ensure that branches, twigs or other debris are not obstructing the condenser fan.

IF YOUR SYSTEM STILL DOES NOT OPERATE, CONTACT YOUR SERVICING DEALER.

Be sure to describe the problem, and have the model and serial numbers of the equipment available.

If warranty replacement parts are required, the warranty must be processed through a qualified distribution location.

Start-Up and Performance Checklist

Customer: _____ Address: _____
 Indoor Unit Model: _____ Serial: _____
 Outdoor Unit Model: _____ Serial: _____
 Notes: _____

Start-Up Checks

Refrigerant Type: _____
 Rated Load Amps: _____ Actual Amps: _____ Rated Volts: _____ Actual Volts: _____
 Condenser Fan Full Load Amps: _____ Actual Amps: _____

Cooling Mode

Suction Pressure: _____ Liquid Pressure: _____
 Supply Air Temperature: _____ Ambient Temperature: _____ Return Air Temperature: _____

System Refrigerant Charge (Refer to manufacturer's information on unit or installation instructions for required subcooling and approach temperatures.)

| | |
|---|--------------------|
| Subcooling: | A - B = Subcooling |
| Saturated Condensing Temperature (A) minus Outdoor Air Temperature (B) | |

| | |
|--|------------------|
| Approach: | A - B = Approach |
| Liquid Line Temperature (A) minus Outdoor Air Temperature (B) | |

| | |
|--|------------------------|
| Indoor Coil Temperature Drop (18 to 22°F): | A - B = Coil Temp Drop |
| Return Air Temperature (A) minus Supply Air Temperature (B) | |

GE Appliances Ducted HVAC Limited Warranty

GEAppliancesAirandWater.com

Please save your receipt showing the date of original purchase.

For the product models listed on Attachment 1 (the "Product"), this Standard Limited Warranty is provided to the Original Owner of the Product:

| For The Period Of: | GE Appliances Will Replace: |
|--|--|
| 5 year Limited Parts Warranty From the date of the original purchase | If any parts should prove to be defective due to improper workmanship and/or material for a period of five (5) years from the date of installation , GE Appliances will place any defective parts without charge for the part. Parts used for replacement may be new or refurbished parts, determined at Haier's sole discretion, and provided to your licensed HVAC technician installer. |
| 10 Year Registered Limited Parts Warranty From the date of the original purchase (ONLINE REGISTRATION REQUIRED at GEAppliances.com) MUST BE A RESIDENTIAL SINGLE-FAMILY HOME | If any of the parts should prove defective due to improper workmanship and/or material for a period of ten (10) years from the date of installation , GE Appliances will replace any defective parts without charge for the part. The replacement part is warranted for the remainder of the original ten (10) year warranty period. Parts used for replacement may be new or refurbished parts, determined at Haier's sole discretion, and provided to your licensed HVAC technician installer. This Registered Limited Parts Warranty requires online registration within sixty (60) days from the original date of installation or occupancy. NON-RESIDENTIAL/COMMERCIAL APPLICATIONS ARE NOT ELIGIBLE FOR THIS REGISTERED LIMITED PARTS WARRANTY. |

LABOR NOT COVERED

These limited warranties **DO NOT** include labor, or any other costs incurred for service, maintenance, repair, removing, replacing, installing, complying with local building or electrical codes, shipping or handling, replacement of the system, compressors or other parts.

EXCLUDED COMPONENTS

The following components are not covered by this warranty: cabinets, cabinet pieces, air filters, driers, refrigerant, refrigerant line sets, belts, wiring, fuses, oil nozzles, unit accessories and any parts not affecting unit operation.

WHAT IS THE DATE OF PURCHASE

The "Date of Purchase" is the date that the original installation is complete, and all product start-up procedures have been properly completed and verified by the installer's invoice. If the installation date cannot be verified, then the Date of Purchase will be sixty (60) days after the manufacture date, as determined by the Product's serial number. You should keep and be able to provide your original sales receipt from the installer as proof of the Date of Purchase. For new construction, the Date of Purchase will be the date of purchase of the residence by the Owner from the builder.

WHO IS COVERED

Owner occupied: The "Original Owner" means the original owner (and his or her spouse) of a residential single family where the Product was originally installed.

Non-owner occupied: The "Non-owner occupied" is defined as a) single family or multi-family residential buildings that is not Owner Occupied, or b) light commercial applications, (such as office buildings, retail establishments, hotels/motels).

For Non-owner occupied, this limited warranty requires that the product be installed and maintained annually by a licensed HVAC technician (proof of annual maintenance is required).

HOW CAN YOU GET SERVICE

Contact your licensed HVAC technician installer. All installation and service must be performed by a licensed HVAC technician. Failure to use a licensed HVAC technician for installation of this Product voids all warranty on this Product.

GE Appliances Ducted HVAC Limited Warranty

What GE Appliances Will Not Cover:

- Improper service or installation.
- Damage in shipping.
- Defects other than manufacturing defects (i.e., other than workmanship or materials).
- Damage from misuse, abuse, accident, alteration, lack of proper care and/or regular maintenance.
- Damage resulting from floods, fires, wind, lightning, accidents or similar conditions.
- Product that was not installed or serviced by a licensed HVAC technician.
- Labor and related services for repair or installation of the Product.
- A product purchased from an unauthorized online retailer.
- Damage as a result of subjecting Product to an atmosphere with corrosives or high levels of particulates (such as soot, aerosols, fumes, grease).
- Modification, change or alteration of the equipment, except as directed in writing by Haier.
- Use of contaminated or refrigerant not compatible with the unit.
- Operation with system components (indoor unit, outdoor unit, and refrigerant control devices) which are not an AHRI match or meet the specifications recommended by Haier.
- A Product sold and/or installed outside of the 50 United States, the District of Columbia, or Canada.
- Batteries for the controller and other accessories provided with the Product for installation (e.g., plastic hose).
- Normal maintenance, such as cleaning of coils, cleaning filters, and lubrication.
- For Product installed in Non-Owner Occupied applications, Product that has not been maintained annually by a licensed HVAC technician (proof required).
- Damage caused by a used or unapproved component or part by Haier (e.g., a used and/or unapproved condenser / air handler).
- Component or parts not provided by Haier.
- Product that has been moved from its original installation to a new residence or building.
- Accident, or neglect or unreasonable use or operation of the equipment including operation of electrical equipment at voltages other than the range specified on the unit nameplate (includes damages caused by brownouts).
- Damage to the product caused by accident, fire, floods or acts of God.
- Incidental or consequential damage caused by possible defects with this product.

LEGAL RIGHTS

Some states and provinces do not allow warranty terms to be subject to registration. In those states and provinces, the 10 year Registered Limited Parts Warranty applies. In addition, if allowed by the law of the state or province where the Product is installed, the subsequent owners of the residence or building may have additional rights or longer warranty terms.

REGISTERED LIMITED PARTS WARRANTY COVERAGE REQUIREMENTS

- The unit is a GE Appliances branded unit.
- The unit is installed in a residential application.
- The unit is properly registered at **GEAppliances.com** within 60-days after the original date of installation or occupancy.
- The unit is part of a complete AHRI matched system and installed by a state certified or licensed contractor in accordance with the unit installation, operation, and maintenance instructions provided with the unit.
- Indoor and outdoor ductless units are covered only when they are branded **GE Appliances** and are purchased and installed as a system along with a qualifying unit. (Third party coils are not covered).
- Installation is in compliance with applicable laws, regulations, codes, and ordinances.
- Unit was not ordered over the internet. Proof of purchase may be required.

GE Appliances Ducted HVAC Limited Warranty

EXCLUSION OF IMPLIED WARRANTIES

EXCEPT TO THE EXTENT PROHIBITED BY APPLICABLE LAW, THIS LIMITED WARRANTY IS EXCLUSIVE AND GIVEN IN LIEU OF ALL OTHER WARRANTIES, EXPRESS OR IMPLIED, INCLUDING BUT NOT LIMITED TO ANY IMPLIED WARRANTY OF MERCHANTABILITY AND FITNESS FOR A PARTICULAR PURPOSE.

UNDER NO CIRCUMSTANCES SHALL HAIER BE LIABLE FOR ANY INDIRECT, INCIDENTAL, SPECIAL OR CONSEQUENTIAL DAMAGES INCLUDING, WITHOUT LIMITATION, LOST GOODWILL, LOST REVENUE OR PROFITS, WORK STOPPAGE, SYSTEM FAILURE, IMPAIRMENT OF OR DAMAGE TO OTHER EQUIPMENT OR GOODS, COST OF REMOVAL AND REINSTALLATION OF THE SYSTEM, LOSS OF USE, INJURY TO PERSONS OR PROPERTY ARISING OUT OF OR RELATED TO THE SYSTEM. HAIER'S TOTAL LIABILITY, IF ANY, UNDER THIS LIMITED WARRANTY SHALL NOT EXCEED THE INVOICE VALUE PAID BY THE CUSTOMER FOR THE SYSTEM WHICH IS THE SUBJECT OF A CLAIM OR DISPUTE.

SOME STATES DO NOT ALLOW THE EXCLUSION OR LIMITATION OF INCIDENTAL OR CONSEQUENTIAL DAMAGES, OR ALLOW DISCLAIMERS OF IMPLIED WARRANTIES, SO THE ABOVE LIMITATIONS OR EXCLUSIONS MAY NOT APPLY TO THE CUSTOMER. THIS LIMITED WARRANTY GIVES THE CUSTOMER SPECIFIC LEGAL RIGHTS. CUSTOMERS MAY ALSO HAVE OTHER RIGHTS THAT VARY FROM STATE TO STATE.

The remedy provided in this warranty is exclusive and is granted in lieu of all other remedies. This warranty does not cover incidental or consequential damages. Some states and provinces do not allow the exclusion of incidental or consequential damages, so this limitation may not apply to you. Some states and provinces do not allow limitations on how long an implied warranty lasts, so this limitation may not apply to you. This warranty gives you specific legal rights and you may also have other rights which vary by state and province. This warranty covers Products within the 50 United States, the District of Columbia and Canada.

This warranty is provided by:
GE Appliances, a Haier company
Louisville, KY 40225

For US Customers: This limited warranty is extended to the original purchaser for products purchased for home use within the USA. In Alaska and Hawaii, the limited warranty does not include the costs of shipping units.

Some states do not allow the exclusion or limitation of incidental or consequential damages. This warranty gives you specific legal rights, and you may also have other rights which vary from state to state. To know what your legal rights are, consult your local or state consumer affairs office or your state's Attorney General.

Warrantor: GE Appliances, a Haier company
Louisville, KY 40225

ATTACHMENT 1

The "Product" is defined as GE brand Ducted Unitary Units. The "Product" contains 2 sub-categories of goods: "Indoor and Outdoor Products" and "Selected Installation Products," which are further defined below: "Indoor and Outdoor Products" can further be identified by the following model number descriptions: NS*, NAM*, NC*, NF* & NP*

Staple your receipt here. Proof of the original purchase date is needed to obtain service under the warranty.



GE APPLIANCES

INSTRUCTIONS D'INSTALLATION

NS15HH

Thermopompe à capacité variable

Ce manuel doit être laissé au propriétaire pour référence ultérieure.



Il s'agit d'un symbole d'alerte de sécurité qui ne doit jamais être ignoré. Lorsque vous voyez ce symbole sur les étiquettes ou dans les manuels, soyez attentif au risque de blessure grave ou mortelle.

ADVERTISSEMENT

L'installation et l'entretien de l'équipement de climatisation peuvent être dangereux en raison de la pression interne du réfrigérant et des composants électriques sous tension. Seul le personnel d'entretien formé et qualifié est habilité à installer ou à entretenir cet équipement. L'installation et l'entretien effectués par des personnes non qualifiées peuvent entraîner des dommages matériels, des blessures ou la mort.

ADVERTISSEMENT

RISQUE DE DÉCHARGE ÉLECTRIQUE!



Risque de choc électrique. Débranchez tous les sources d'alimentation distantes avant d'installer ou d'entretenir une partie du système. L'omission de couper l'alimentation électrique peut causer des dommages, des blessures ou la mort.

IMPORTANT

Le Clean Air Act de 1990 interdit l'évacuation intentionnelle de réfrigérants (CFC, HCFC et HFC) à compter du 1er juillet 1992. Les méthodes approuvées de récupération, de recyclage ou de régénération doivent être suivies. Des amendes et/ou des peines d'emprisonnement peuvent être imposées en cas de non-conformité.

Contactez GE Appliances au :

Propriétaire : **GEAppliances.com**
Technicien en CVC : **GEAppliancesairandwater.com**
ou
866.814.3633

Correspondances des systèmes bibloc USAC et USHP :
AHRIDirectory.org

Table des matières

| | |
|--|----|
| Avant de commencer..... | 2 |
| Exigences relatives au fonctionnement, à l'entretien et à l'installation d'appareils utilisant des réfrigérants inflammables | 4 |
| Application | 8 |
| Généralités | 9 |
| Installation | 10 |
| Plage de fonctionnement..... | 10 |
| Dimensions de l'appareil | 15 |
| Tuyauterie de réfrigérant | 16 |
| Électricité - Dimensionnement du circuit et acheminement des fils..... | 28 |
| Câblages de commande du thermostat et de la basse tension..... | 28 |
| Certifications..... | 31 |
| Bordereau d'expédition et d'emballage | 31 |
| Commande unitaire extérieur | 34 |
| Fonctionnement de l'appareil | 42 |
| Mise en service..... | 42 |
| Entretien | 44 |
| Informations sur le propriétaire..... | 45 |
| Liste de vérification du démarrage et du rendement | 47 |
| Garantie limitée | 48 |

ADVERTISSEMENT

Les bords métalliques tranchants peuvent provoquer des blessures. Lors de l'installation de l'appareil, veillez à éviter les bords tranchants.

GE Appliances
Appliance Park
Louisville, KY 40225

LISEZ ET CONSERVEZ CES INSTRUCTIONS

Pour obtenir de l'aide supplémentaire, GEAppliances.com ou GEAppliancesairandwater.com

Avant de commencer

Veuillez lire toutes ces instructions attentivement..

- **IMPORTANT – Conservez ces instructions à l'usage de l'inspecteur local.**
- **IMPORTANT – Observez tous les codes et ordonnances en vigueur.**
- **Note à l'installateur – Assurez-vous de laisser ces instructions au propriétaire.**
- **Note au consommateur - Conservez ces instructions pour référence ultérieure.**
- **Niveau de compétence - Un technicien (pour manipuler le frigorigène R-454B, récupération, etc.) et un électricien agréés sont requis pour l'installation y compris de ce thermopompe à deux blocs.**
- Utilisez le lève-personne pour monter l'unité canalisée
- L'exactitude de l'installation est la responsabilité de l'installateur.
- La garantie ne couvre pas les défauts du produit causés par une installation inadéquate.
- Pour votre sécurité, ce produit doit être correctement mis à la terre.
- Les dispositifs de protection (fusibles ou disjoncteurs) admissibles pour l'installation sont spécifiés sur la plaque signalétique de chaque unité.
- Si une réparation exige de pénétrer dans le système de frigorigène étanche, la réglementation fédérale impose de faire réaliser le travail par un technicien de Classe II ou détenant une certification universelle.

ATTENTION

- Le câblage de électrique en aluminium peut présenter des problèmes particuliers, veuillez consulter un électricien agréé.
- N'utilisez pas un cordon de rallonge avec ce système.

ADVERTISSEMENT

Pour votre sécurité, les renseignements dans ce manuel doivent être observés afin de minimiser le risque d'incendie, de décharge électrique ou de blessure.

- Utilisez cet équipement uniquement aux fins auxquelles il est fait mention dans ce manuel d'utilisation.
- Avant son utilisation, ce climatiseur doit être installé correctement en conformité avec les instructions d'installation. All wiring should be rated for the amperage value listed on the rating plate. Use only copper wiring.
- **Toute la partie électrique de l'installation doit être exécutée par un électricien agréé selon les codes de l'électricité local et national.**
- **Toute réparation doit être effectuée par une personne qualifiée.**
- **Si une réparation exige de pénétrer dans le système de frigorigène étanche, la réglementation fédérale impose de faire réaliser le travail par un technicien de Classe II ou détenant une certification universelle.**
- Tous les climatiseurs contiennent des réfrigérants qui, en vertu de la législation fédérale et/ou locale, doivent être retirés avant la mise au rebut du produit. Si vous vous débarrassez d'un produit qui contient un frigorigène, informez-vous auprès de l'organisme responsable d'en disposer.
- Ces systèmes de thermopompe R454B exigent que les entrepreneurs et les techniciens utilisent des outils, des équipements et des normes de sécurité approuvés pour ce type de réfrigérant.

LISEZ ET CONSERVEZ CES INSTRUCTIONS

ADVERTISSEMENT

RISQUE DE CHOC ÉLECTRIQUE Peut causer une blessure ou la mort.

- Une mise à la terre adéquate est essentielle avant de brancher l'alimentation électrique ou de charger le réfrigérant.
- **Coupez toutes les sources d'alimentation électrique à l'appareil avant de procéder à une réparation ou un entretien.**
- Réparez ou remplacez immédiatement tout câblage électrique usé ou autrement endommagé. N'utilisez pas un câblage qui présente des fissures ou des marques d'abrasion sur sa longueur ou l'une de ses extrémités.

ADVERTISSEMENT

RISQUE D'INCENDIE. Peut causer une blessure ou la mort.

- Abstenez-vous d'entreposer ou d'utiliser des matières combustibles, de l'essence ou d'autres vapeurs ou liquides inflammables à proximité de cet appareil ou de tout autre.

ADVERTISSEMENT

- **Cet appareil n'est pas destiné à être utilisé par des personnes (y compris les enfants) dont les capacités physiques, sensorielles ou mentales sont réduites, ou manquant d'expérience et de connaissance, sauf si elles sont étroitement surveillées et instruites sur l'utilisation de l'appareil par une personne responsable de leur sécurité. Les enfants doivent être surveillés afin de s'assurer qu'ils ne jouent pas avec l'électroménager.**
- Pour prévenir le risque de suffocation, gardez à l'écart des enfants les sacs ou les pellicules en plastique utilisés pour l'emballage.
- Assurez-vous de ne pas laisser pénétrer des matières étrangères (huile, eau, etc.) dans la tuyauterie de réfrigérant. Scellez les extrémités de la tuyauterie de réfrigérant avant le remisage
- À des fins d'installation, assurez-vous d'utiliser les pièces fournies par le fabricant ou d'autres pièces prescrites. L'utilisation de pièces non prescrites peut entraîner de graves accidents tels que la chute de l'appareil, les fuites d'eau, la décharge électrique ou l'incendie.
- L'alimentation électrique nominale de ce produit est de 208/230 VCA/60Hz/1PH. Vérifiez que la tension se situe entre 187 et 253 V avant de mettre l'équipement sous tension.
- L'alimentation électrique à la pompe à chaleur doit provenir d'un circuit dédié qui satisfait les exigences en courant admissible d'un circuit de dérivation.
- **Utilisez un disjoncteur et une prise de circuit de dérivation spéciaux qui correspondent à la capacité du circuit d'alimentation de la pompe à chaleur. (Installez conformément aux normes techniques locales relatives aux équipements électriques.)**
- Effectuez le câblage en respectant les normes afin que le climatiseur puisse être utilisé en toute sécurité et formellement.
- Si le CORDON D'ALIMENTATION est endommagé, il doit être remplacé par le fabricant, son agent de service ou une personne qualifiée afin d'éviter tout danger.

Exigences relatives au fonctionnement, à l'entretien et à l'installation d'appareils utilisant des réfrigérants inflammables

- N'utilisez pas de moyens visant à accélérer le dégivrage ou le nettoyage autres que ceux recommandés par le fabricant.
- Le produit doit être entreposé dans une pièce exempte de sources d'allumage qui fonctionnent sans interruption (par exemple : flammes nues, appareil d'utilisation du gaz ou radiateur électrique en fonctionnement).
- Abstenez-vous de percer ou de brûler.
- Sachez que les réfrigérants peuvent être inodores.



Avertissement : Matériaux inflammables, classe de réfrigérant selon ISO 817



Manuel d'utilisation : Instructions d'utilisation



Lisez le manuel d'utilisation



Indicateur d'entretien; lire le manuel technique

Généralités

- Pendant l'installation, en raison des tuyaux de réfrigérant étendus, du **RÉFRIGÉRANT** supplémentaire peut être chargé. **Reportez-vous à la plaque signalétique apposée sur l'appareil pour plus de détails.**
- La manipulation, l'installation, le nettoyage, l'entretien et la mise au rebut du réfrigérant doivent être conformes à la réglementation locale et aux instructions.
- L'entretien ne doit être effectué que selon les recommandations du fabricant.
- Les espaces où des tuyaux de réfrigérant sont autorisés doivent satisfaire les exigences suivantes :
 - le matériel de tuyauterie, le cheminement des tuyaux et l'installation doivent inclure une protection contre les dommages physiques pendant le fonctionnement et l'entretien, et être conformes aux codes et normes nationaux et locaux, tels que **ASHRAE 15, IAPMO Uniform Mechanical Code, ICC International Mechanical Code** ou **CSA B52**. Tous les joints sur site doivent être accessibles pour inspection avant d'être couverts ou fermés;
 - l'installation de tuyauterie doit être réduite au minimum;
 - les connexions mécaniques réalisées au niveau des joints entre les parties du système frigorifique pendant l'installation doivent être accessibles à des fins d'entretien;
 - les dispositifs de protection, la tuyauterie et les raccords doivent être protégés autant que possible contre les effets néfastes de l'environnement, par exemple l'accumulation d'eau et de gel dans les tuyaux de décharge ou l'accumulation de saleté et de débris;
 - la tuyauterie des systèmes frigorifiques doit être conçue et installée de manière à minimiser la probabilité d'un choc hydraulique endommageant le système;

Généralités (suite)

- des précautions doivent être prises pour éviter des vibrations ou des pulsations excessives.
- Une fois achevée, la tuyauterie du système bibloc réalisée sur le site doit être mise à l'essai sous pression avec un gaz inerte, puis à vide avant le chargement du réfrigérant, conformément aux exigences suivantes :
 - La pression d'essai minimale pour le côté basse pression du système doit être la pression de calcul du côté basse pression et la pression d'essai minimale pour le côté haute pression du système doit être la pression de calcul du côté haute pression, à moins que le côté haute pression du système ne puisse être isolé du côté basse pression du système, auquel cas l'ensemble du système doit être soumis à un essai à la pression de calcul du côté basse pression.
 - Après le retrait de la source de pression, la pression d'essai doit être maintenue pendant au moins une (1) heure sans diminution de pression indiquée par le manomètre d'essai, la résolution du manomètre ne dépassant pas 5 % de la pression d'essai.
 - Pendant l'essai d'évacuation, après avoir atteint un niveau de vide spécifié dans le manuel ou inférieur, le système frigorifique doit être isolé de la pompe à vide et la pression ne doit pas dépasser 1500 microns dans les 10 minutes. Le niveau de pression à vide doit être spécifié dans le manuel et doit être le moindre de 500 microns ou de la valeur requise pour la conformité avec les codes et normes nationaux et locaux, qui peuvent varier selon les bâtiments résidentiels, commerciaux et industriels.
 - Les joints du réfrigérant réalisés sur le site à l'intérieur doivent être soumis à un essai d'étanchéité répondant aux exigences suivantes :
 - La méthode d'essai doit avoir une sensibilité de 5 grammes de réfrigérant par an ou mieux, sous une pression d'au moins 0,25 fois la pression maximale admissible. Aucune fuite ne doit être détectée.

Exigences relatives au fonctionnement, à l'entretien et à l'installation d'appareils utilisant des réfrigérants inflammables

Qualification des travailleurs

Toute procédure de travail touchant les mesures de sécurité ne doit être effectuée que par des personnes compétentes.

Voici quelques exemples de ces procédures de travail :

- rupture dans le circuit frigorifique;
- ouverture des composants scellés;
- ouverture des enceintes ventilées.

Les personnes compétentes sont formées par les organismes nationaux de formation ou les fabricants agréés pour enseigner les normes de compétence nationales pertinentes qui peuvent être fixées par la législation. La compétence acquise doit être documentée par un certificat.

Informations sur l'entretien

Avant de commencer à travailler sur les systèmes contenant des **RÉFRIGÉRANTS INFLAMMABLES**, des contrôles de sécurité sont nécessaires pour s'assurer que le risque d'inflammation est réduit au minimum. Pour la réparation du **SYSTÈME FRIGORIFIQUE**, les exigences ci-dessous doivent être satisfaites avant toute intervention sur le système :

- Les travaux doivent être entrepris selon une procédure contrôlée afin de minimiser le risque de présence de gaz ou de vapeur inflammable pendant leur exécution.
- Tout le personnel d'entretien et les autres personnes travaillant dans la zone doivent être informés de la nature des travaux effectués. Les travaux dans des espaces confinés doivent être évités.
- La zone doit être vérifiée avec un détecteur de réfrigérant approprié avant et pendant le travail, afin de s'assurer que le technicien est conscient de la présence d'atmosphères potentiellement toxiques ou inflammables. Assurez-vous que l'équipement de détection de fuite utilisé est adapté à une utilisation avec tous les réfrigérants applicables, c'est-à-dire anti-étincelles, correctement scellé ou intrinsèquement sûr.
- Si des travaux à chaud doivent être effectués sur l'équipement frigorifique ou toute pièce associée, un équipement d'extinction d'incendie approprié doit être disponible à portée de main. Un extincteur à poudre sèche ou à CO₂ doit être présent à proximité de la zone de chargement.
- Aucune personne effectuant des travaux relatifs à un **SYSTÈME FRIGORIFIQUE** qui implique l'exposition d'un ouvrage de tuyauterie ne doit utiliser des sources d'inflammation de telle manière que cela puisse entraîner un risque d'incendie ou d'explosion. Toutes les sources d'inflammation possibles, y compris l'allumage de cigarettes, doivent être maintenues suffisamment loin du site d'installation, de réparation, de retrait et d'élimination, à l'endroit duquel du réfrigérant peut éventuellement être libéré dans l'espace environnant. Avant de commencer le travail, la zone autour de l'équipement doit être inspectée pour s'assurer qu'il n'y a pas de risques d'inflammabilité ou d'allumage. Des écriteaux « Interdiction de fumer » doivent être affichés.

Informations sur l'entretien (suite)

- S'assurer que la zone est à l'air libre ou qu'elle est adéquatement ventilée avant de pénétrer dans le système ou d'effectuer des travaux à chaud. Un certain degré de ventilation doit se poursuivre pendant la période où les travaux sont effectués. La ventilation doit disperser en toute sécurité tout réfrigérant libéré et de préférence l'expulser vers l'extérieur dans l'atmosphère.
- Lorsque des composants électriques sont changés, ils doivent être adaptés à l'usage prévu et aux spécifications correctes. Les directives d'entretien et de réparation du fabricant doivent être respectées en tout temps. En cas de doute, consultez le service technique du fabricant pour obtenir de l'aide.
- Les vérifications suivantes doivent être appliquées aux installations utilisant des **RÉFRIGÉRANTS INFLAMMABLES**
 - le marquage de l'équipement continue d'être visible et lisible. Les marquages et les écriteaux illisibles doivent être corrigés;
 - les tuyaux ou les composants frigorifiques sont installés dans un endroit où ils ne risquent pas d'être exposés à une substance susceptible de corroder les composants contenant du réfrigérant, à moins que les composants ne soient construits en matériaux intrinsèquement résistants à la corrosion ou convenablement protégés contre cette corrosion.
- La réparation et l'entretien des composants électriques doivent comprendre des vérifications de sécurité initiales et des procédures d'inspection des composants. S'il existe un défaut susceptible de compromettre la sécurité, aucune alimentation électrique ne doit être raccordée au circuit tant qu'il n'a pas été remédié de manière satisfaisante. Si le défaut ne peut pas être corrigé immédiatement mais qu'il est nécessaire de poursuivre l'opération, une solution temporaire adéquate doit être utilisée. Cette information doit être signalée au propriétaire de l'équipement afin que toutes les parties en soient informées.
- Les vérifications de sécurité initiales doivent s'assurer :
 - que les condensateurs sont déchargés; cela doit être fait de manière sûre pour éviter toute possibilité d'étincelles;
 - qu'aucun composant électrique et câblage sous tension ne soient exposés lors de la charge, de la récupération ou de la purge du système;
 - qu'il y a continuité du chemin de terre.

Réparations de composants scellés, de composants à sécurité intrinsèque

- Les composants électriques scellés doivent être remplacés.
- Les composants à sécurité intrinsèque doivent être remplacés.
- Remplacer les composants uniquement par des pièces spécifiées par le fabricant. D'autres pièces peuvent provoquer l'inflammation du réfrigérant dans l'atmosphère en raison d'une fuite.

Exigences relatives au fonctionnement, à l'entretien et à l'installation d'appareils utilisant des réfrigérants inflammables

Câblage

- Vérifiez que le câblage ne sera pas soumis à l'usure, à la corrosion, à une pression excessive, à des vibrations, à des bords tranchants ou à tout autre effet environnemental indésirable. La vérification doit également tenir compte des effets du vieillissement ou des vibrations continues provenant de sources telles que les compresseurs ou les ventilateurs. L'acheminement des fils est conçu pour éloigner le câblage électrique des composants contenant du réfrigérant. Assurez-vous que le fil est remis à son acheminement d'origine si l'un d'entre eux est déplacé pendant l'inspection ou la réparation.

Détection de réfrigérants inflammables

- En aucun cas, des sources potentielles d'inflammation ne doivent être utilisées dans la recherche ou la détection de fuites de réfrigérant. On ne doit pas utiliser de lampe haloïde (ou tout autre détecteur utilisant une flamme nue).
- Les méthodes de détection des fuites suivantes sont jugées acceptables pour tous les systèmes frigorifiques.
 - * Des détecteurs électroniques de fuites peuvent être utilisés pour détecter les fuites de réfrigérant, mais dans le cas de RÉFRIGÉRANTS INFLAMMABLES, la sensibilité peut ne pas être adéquate ou nécessiter un nouvel étalonnage. (Le matériel de détection doit être étalonné dans une zone exempte de réfrigérant.) S'assurer que le détecteur n'est pas une source potentielle d'inflammation et qu'il est adapté au réfrigérant utilisé. L'équipement de détection des fuites doit être réglé à un pourcentage de la limite inférieure d'inflammabilité du réfrigérant et doit être étalonné en fonction du réfrigérant utilisé, et le pourcentage approprié de gaz (25 % maximum) est confirmé.
 - * Les liquides de détection de fuites peuvent également être utilisés avec la plupart des réfrigérants, mais l'utilisation de détergents contenant du chlore doit être évitée car le chlore peut réagir avec le réfrigérant et corroder les canalisations en cuivre.

REMARQUE : Exemples de liquides de détection de fuites :

- * méthode des bulles
- * agents de la méthode par fluorescence
- Si une fuite est suspectée, toutes les flammes nues doivent être enlevées/éteintes.
- Si une fuite de réfrigérant est détectée nécessitant un brasage, tout le réfrigérant doit être récupéré du système ou isolé (au moyen de robinets d'arrêt) dans une partie du système éloignée de la fuite. Le retrait du réfrigérant doit être effectué conformément au manuel.

Retrait et évacuation

- Lorsqu'il faut s'introduire dans le circuit de réfrigérant pour effectuer des réparations – ou à toute autre fin – les procédures conventionnelles doivent être utilisées. Cependant, pour les réfrigérants inflammables, il est important de suivre les meilleures pratiques, car l'inflammabilité doit être prise en compte. La procédure suivante doit être respectée :

Retrait et évacuation (suite)

1. retirer le réfrigérant en toute sécurité conformément aux réglementations locales et nationales;
 2. purger le circuit avec un gaz inerte;
 3. ouvrir le circuit par découpe ou brasage.
- La charge de réfrigérant doit être récupérée dans les bouteilles de récupération appropriées si la ventilation n'est pas autorisée par les codes locaux et nationaux. Pour les appareils contenant des réfrigérants inflammables, le système doit être purgé avec de l'azote exempt d'oxygène afin de rendre l'appareil sûr pour les réfrigérants inflammables. Il peut être nécessaire de répéter ce processus plusieurs fois.
 - L'air comprimé ou l'oxygène ne doivent pas être utilisés pour purger les systèmes frigorifiques.
 - La sortie de la pompe à vide ne doit pas être proche de sources potentielles d'inflammation et une ventilation doit être disponible.

Procédures de charge

- En plus des procédures de charge conventionnelles, les exigences suivantes doivent être respectées.
 - S'assurer que la contamination de différents réfrigérants ne se produit pas lors de l'utilisation de l'équipement de charge. Les flexibles ou conduites doivent être aussi courts que possible pour réduire au minimum la quantité de réfrigérant qu'ils contiennent.
 - Les bouteilles doivent être maintenues dans une position appropriée conformément aux instructions.
 - S'assurer que le **SYSTÈME FRIGORIFIQUE** est mis à la terre avant de charger le système frigorifique.
 - Étiquetez le système lorsque la charge est terminée (si ce n'est pas déjà fait).
 - Une extrême prudence est requise pour ne pas trop remplir le **SYSTÈME FRIGORIFIQUE**.
- Avant de recharger le système, celui-ci doit être soumis à un essai de pression avec le gaz de purge approprié. Le système doit être soumis à un essai d'étanchéité à la fin de la charge, mais avant la mise en service. Un essai d'étanchéité de suivi doit être effectué avant de quitter le site.

La Mise Hors Service

- Avant d'effectuer cette procédure, il est essentiel que le technicien connaisse parfaitement l'équipement dans tous ses détails. Il est recommandé de récupérer tous les réfrigérants en toute sécurité. Avant l'exécution de la tâche, un échantillon d'huile et de réfrigérant doit être prélevé au cas où une analyse serait nécessaire avant la réutilisation du réfrigérant récupéré. Il est essentiel que l'alimentation électrique soit disponible avant de commencer la tâche.

Exigences relatives au fonctionnement, à l'entretien et à l'installation d'appareils utilisant des réfrigérants inflammables

La Mise Hors Service (suite)

1. Familiarisez-vous avec l'équipement et son interfonctionnement.
2. Isolez électriquement le système.
3. Avant de tenter la procédure, assurez-vous que :
 - l'équipement de manutention mécanique est disponible, au besoin, pour manipuler les bouteilles de réfrigérant;
 - tous les équipements de protection individuelle sont disponibles et utilisés correctement;
 - le processus de recouvrement est supervisé en tout temps par une personne compétente;
 - l'équipement de récupération et les bouteilles sont conformes aux normes appropriées..
4. Pompez le système de réfrigération, si possible..
5. S'il est impossible de faire le vide, fabriquez un collecteur pour que le réfrigérant puisse être évacué des différentes parties du système. Assurez-vous que la bouteille est située sur la balance avant la récupération.
6. Assurez-vous que la bouteille est située sur la balance avant la récupération.
7. Démarrez la machine de récupération et faites-la fonctionner conformément aux instructions.
8. Ne remplissez pas trop les bouteilles (pas plus de 80 % du volume de liquide).
9. Ne dépassez pas la pression de service maximale de la bouteille, même temporairement.
10. Lorsque les bouteilles ont été remplies correctement et que le processus est terminé, assurez-vous que les bouteilles et l'équipement sont retirés du site rapidement et que tous les robinets d'isolement de l'équipement sont fermés.
11. Le réfrigérant récupéré ne doit pas être chargé dans un autre SYSTÈME FRIGORIFIQUE à moins qu'il n'ait été nettoyé et vérifié.

Récupération

- Lors du retrait du réfrigérant d'un système, que ce soit pour l'entretien ou la mise hors service, il est recommandé que tous les réfrigérants soient retirés en toute sécurité.
- Lors du transfert du réfrigérant dans des bouteilles, s'assurer que seules des bouteilles de récupération de réfrigérant appropriées sont utilisées. S'assurer que le nombre correct de cylindres pour maintenir la charge totale du circuit est disponible. Toutes les bouteilles à utiliser sont désignées pour le réfrigérant récupéré et étiquetées pour ce réfrigérant (c'est-à-dire des bouteilles spéciales pour la récupération du réfrigérant). Les bouteilles doivent être équipées d'une soupape de décharge et de robinets d'arrêt associés en bon état de fonctionnement. Les bouteilles de récupération vides sont évacuées et, si possible, refroidies avant la récupération.
- L'équipement de récupération doit être en bon état de fonctionnement et comporter un ensemble d'instructions concernant l'équipement disponible, et il doit être adapté à la récupération de tous les réfrigérants appropriés, y compris, le cas échéant, les RÉFRIGÉRANTS INFLAMMABLES. De plus, un jeu de balances calibrées doit être disponible et en bon état de fonctionnement. Les flexibles doivent être équipés de raccords rapides étanches et en bon état. Avant d'utiliser la machine de récupération, vérifier qu'elle est en bon état de fonctionnement, qu'elle a été correctement entretenue et que tous les composants électriques associés sont scellés pour éviter tout allumage en cas de libération de réfrigérant. Consulter le fabricant en cas de doute.
- Le réfrigérant récupéré doit être retourné au fournisseur de réfrigérant dans la bouteille de récupération appropriée, et le bordereau de transfert de déchets correspondant doit être établi. Ne pas mélanger les réfrigérants dans les unités de récupération et surtout pas dans les bouteilles.
- Si les compresseurs ou les huiles de compresseur doivent être retirés, s'assurer qu'ils ont été évacués à un niveau acceptable pour s'assurer qu'il ne reste pas de RÉFRIGÉRANT INFLAMMABLE dans le lubrifiant. Le processus d'évacuation doit être effectué avant le retour du compresseur aux fournisseurs. Seul le chauffage électrique du corps du compresseur doit être utilisé pour accélérer ce processus. Lorsque l'huile est vidangée d'un système, cela doit être effectué en toute sécurité.

Étiquetage

- L'équipement doit afficher une étiquette indiquant qu'il a été mis hors service et vidé de son réfrigérant. L'étiquette doit être datée et signée. Pour les appareils contenant DES RÉFRIGÉRANTS INFLAMMABLES, assurez-vous que l'équipement comporte des étiquettes indiquant qu'il contient des RÉFRIGÉRANTS INFLAMMABLES.

Application

Ces appareils sont conçus pour être utilisés dans des bâtiments résidentiels et commerciaux légers. Les appareils doivent être installés avec des produits intérieurs approuvés figurant dans le répertoire des produits certifiés de l'Air-Conditioning, Heating and Refrigeration Institute (AHRI). Consultez le site AHRIDirectory.org.

Ces appareils sont conformes à la norme UL 60335-2-40/CSA C22.2 no 60335-2-40, ou UL 1995/CSA C22.2 no 236, et doivent être connectées à d'autres appareils également conformes.

La majorité des codes des États ont adopté UL60335-2-40 Édition 4. Un nombre limité de codes locaux et provinciaux peuvent nécessiter la conformité à la norme UL 60335- 2-40 Édition 3. Veuillez consulter notre site Web à l'adresse GEAppliancesairandwater.com pour obtenir des conseils sur les installations dans ces localités.

1) Ces appareils sont des CLIMATISEURS À APPAREIL PARTIEL, conformes aux exigences de cette norme et ne doivent être raccordés qu'à d'autres appareils dont la conformité aux exigences correspondantes de cette norme relative aux APPAREILS PARTIELS, UL60335-2-40/CSA C22.2 No 60335-2-40, ou UL 1995/CSA C22.2 No 236, a été confirmée.

2) Avertissement : S'assurer que les LES APPAREILS PARTIELS ne doivent être raccordés qu'à un appareil compatible avec le même réfrigérant.

3) S'assurer que la pression de service maximale est prise en compte lors du raccordement à tout appareil intérieur.

4) Selon la norme ASHRAE 15, ces appareils peuvent arrêter le fonctionnement du compresseur en 10 secondes lorsqu'elles reçoivent le signal des systèmes de détection du réfrigérant dans les appareils intérieurs. Vérifier et assurer la validité pendant l'installation.

REMARQUE – Le R-454b est un réfrigérant A2L. L'installation du système doit répondre aux paramètres suivants, sur la base de la charge totale de fluide réfrigérant (jeu de conduites inclus). T_{Amin} (Total minimum conditioned area) est la surface conditionnée minimale autorisée sur la base de la charge totale du système au niveau de la mer. Les valeurs doivent être multipliées par le facteur de réglage de l'altitude à l'altitude installée.

Le tableau Q_{min} fait référence aux exigences minimales en matière de débit d'air pendant la réduction des fuites de réfrigérant par le système de détection du réfrigérant, sur la base de la charge totale du système.

Voir les tableaux sur cette page.

| Charge (lbs) | 4 | 4,5 | 5 | 5,5 | 6 | 6,5 | 7 | 7,5 | 8 | 8,5 | 9 | 9,5 | 10 | 10,5 | 11 |
|---|-----|-----|-----|-----|-----|-----|-----|------|------|------|------|------|------|------|------|
| Charge (kg) | 1,8 | 2,0 | 2,2 | 2,5 | 2,7 | 2,9 | 3,1 | 3,4 | 3,6 | 3,8 | 4,0 | 4,3 | 4,5 | 4,7 | 5,0 |
| Zone climatisée minimale (pi ²) | 59 | 67 | 74 | 82 | 89 | 97 | 104 | 112 | 119 | 127 | 134 | 142 | 149 | 157 | 164 |
| Zone climatisée minimale (m ²) | 5,4 | 6,2 | 6,8 | 7,6 | 8,2 | 9,0 | 9,6 | 10,4 | 11,0 | 11,7 | 12,4 | 13,1 | 13,8 | 14,5 | 15,2 |

REMARQUE – Le tableau est basé sur la configuration où l'orifice de décharge et l'orifice de reprise d'air dans la pièce sont supérieurs à 2,2m.

REMARQUE – Multiplier les valeurs du tableau T_{Amin} par les facteurs d'ajustement d'altitude pour corriger le T_{Amin} en fonction de l'altitude d'installation.

| Altitude (m) | 0 | 200 | 400 | 600 | 800 | 1 000 | 1 200 | 1 400 | 1 600 |
|--------------------|-------|-------|-------|-------|-------|-------|-------|-------|--------|
| Altitude (pi) | 0 | 660 | 1 310 | 1 970 | 2 620 | 3 280 | 3 940 | 4 590 | 5 250 |
| Ajustement Facteur | 1 | 1 | 1 | 1 | 1,02 | 1,05 | 1,04 | 1,1 | 1,12 |
| Altitude (m) | 1 600 | 1 800 | 2 000 | 2 200 | 2 400 | 2 600 | 2 800 | 3 000 | 3 200 |
| Altitude (pi) | 5 250 | 5 910 | 6 560 | 7 220 | 7 870 | 8 530 | 9 190 | 9 840 | 10 500 |
| Ajustement Facteur | 1,12 | 1,15 | 1,18 | 1,21 | 1,25 | 1,28 | 1,32 | 1,36 | 1,4 |

| Charge de réfrigérant lb (kg) | pi ³ /min requis | Charge de réfrigérant lb (kg) | pi ³ /min requis |
|-------------------------------|-----------------------------|-------------------------------|-----------------------------|
| 5 (2,268) | 135 | 18 (8,165) | 487 |
| 6 (2,722) | 162 | 19 (8,618) | 514 |
| 7 (3,175) | 189 | 20 (9,072) | 541 |
| 8 (3,629) | 216 | 21 (9,525) | 568 |
| 9 (4,082) | 244 | 22 (9,979) | 595 |
| 10 (4,536) | 271 | 23 (10,433) | 622 |
| 11 (4,990) | 298 | 24 (10,886) | 649 |
| 12 (5,443) | 325 | 25 (11,340) | 676 |
| 13 (5,897) | 352 | 26 (11,793) | 704 |
| 14 (6,350) | 379 | 27 (12,247) | 731 |
| 15 (6,804) | 406 | 28 (12,701) | 758 |
| 16 (7,257) | 433 | 29 (13,154) | 785 |
| 17 (7,711) | 460 | 30 (13,608) | 812 |

REMARQUE : Q_{min} : Débit d'air minimal requis pour atténuer les fuites de réfrigérant.

Généralités

Lire également la totalité de ce manuel d'instructions, ainsi que les instructions fournies dans un équipement distinct, avant de commencer l'installation. Respecter tous les avertissements, mises en garde, étiquettes d'instructions et étiquettes. Le non-respect de ces instructions peut entraîner une situation dangereuse et/ou une défaillance prématurée des composants.

Ces instructions sont destinées à servir de guide général uniquement pour une utilisation par du personnel qualifié et ne remplacent en aucun cas les codes nationaux ou locaux. L'installation doit être conforme à tous les codes provinciaux, nationaux et locaux, ainsi qu'au National Electrical Code (États-Unis) ou au Canadian Electrical Code (Canada). La conformité doit être déterminée avant l'installation.

Cet appareil utilise le R-454B, un réfrigérant HFC résistant à l'ozone. L'appareil doit être installé avec un serpentin intérieur et un jeu de lignes correspondants. Un séchoir à filtre approuvé pour une utilisation avec le R-454B est installé en usine dans l'appareil.

Inspection de l'expédition

À la réception de l'équipement, inspectez-le attentivement pour y déceler d'éventuels dommages dus à l'expédition. Si des dommages sont constatés, cela doit être consigné sur la facture de fret du transporteur. Portez une attention particulière à l'examen de l'unité dans la boîte si cette dernière est endommagée. Tout dommage dissimulé doit être signalé au dernier transporteur immédiatement, préférablement par écrit, et doit comprendre une demande pour l'inspection par l'agent du transporteur.

Si tout dommage est découvert et signalé au transporteur, N'INSTALLEZ PAS L'UNITÉ, car la réclamation pourrait être refusée.

Vérifiez la plaque signalétique de l'unité pour vous assurer que les spécifications correspondent à ce qui est commandé.

Mesures de précaution

Respecter tous les codes de sécurité. Porter des lunettes de sécurité et des gants de travail. Utiliser un chiffon de trempé pour les opérations de brasage. S'assurer d'avoir un extincteur à portée de main. Lire attentivement ces instructions et suivre tous les avertissements ou toutes les mises en garde fixés à l'appareil.

1. Toujours porter un équipement de protection individuelle approprié.
2. Toujours débrancher l'alimentation électrique avant de retirer le panneau ou d'entretenir l'équipement.
3. Tenir les mains et les vêtements loin des pièces mobiles.
4. Manipuler le réfrigérant avec précaution; consulter la fiche signalétique appropriée du fournisseur de réfrigérant.
5. Faites preuve de prudence lorsque vous soulevez des objets, évitez tout contact avec des bords tranchants.

Installation

REMARQUE: Dans certains cas, le bruit dans la zone habitable a été attribué à des pulsations de gaz dues à une mauvaise installation de l'équipement.

- Placez l'appareil loin des fenêtres, patios, terrasses, etc., endroits où les sons de fonctionnement peuvent déranger le client.
- Laissez un peu de jeu entre la structure et l'appareil pour absorber les vibrations.
- Placez un matériau insonorisant, tel que l'Isomode, sous l'appareil si celui-ci doit être installé dans un endroit ou une position qui transmettra le son ou les vibrations à la zone habitable ou aux bâtiments adjacents.
- Installez l'appareil suffisamment haut au-dessus du sol ou du toit pour permettre une évacuation adéquate de l'eau de dégivrage et empêcher l'accumulation de glace.
- Dans les zones fortement enneigées, ne placez pas l'appareil là où de la poudrière se produira. La base de l'appareil doit être surélevée au-dessus de l'épaisseur moyenne de la neige.

REMARQUE: L'élévation de l'appareil peut être réalisée par construction d'un cadre à l'aide de matériaux appropriés. Si un cadre de support est construit, il ne doit pas obstruer les trous de vidange dans la base de l'appareil.

- Lorsqu'il est installé dans des zones où les températures ambiantes sont basses, placez l'appareil de sorte que les vents d'hiver dominants ne soufflent pas directement dans le serpentin extérieur.
- Placez l'appareil loin des lignes de toit en surplomb qui permettraient à l'eau ou à la glace de tomber sur, ou devant, le serpentin ou dans l'appareil.

ADVERTISSEMENT

Pour éviter les blessures corporelles ou les dommages aux panneaux, à l'appareil ou à la structure, respectez les consignes suivantes :

Lors de l'installation ou de l'entretien de cet appareil, rangez soigneusement tous les panneaux retirés afin qu'ils ne blessent pas le personnel et n'endommagent les objets ou les structures à proximité. Veillez également à ranger les panneaux dans un endroit où ils ne risquent pas d'être endommagés (par exemple, pliés ou rayés).

Lorsque vous manipulez ou rangez les panneaux, tenez compte des conditions météorologiques (en particulier le vent) qui peuvent déplacer et endommager les panneaux.

Plage de fonctionnement

Les informations suivantes indiquent les plages de fonctionnement :

- Refroidissement : 40°F - 125°F (4.44 °C - 51.67 °C)
- Chauffage : 0°F - 75°F (-17.78 °C - 23.89 °C)

REMARQUES :

- Lorsque la température extérieure descend en dessous de 0 °F (-18 °C), l'appareil cesse de fonctionner. L'appareil se remet automatiquement en marche lorsque la température dépasse la limite inférieure et que la pression revient à la pression de fermeture du thermostat basse pression.
- Il est recommandé de disposer d'une ou de plusieurs sources de chauffage secondaires si la température descend sous la plage de fonctionnement.

ATTENTION


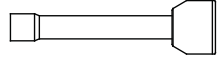
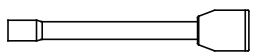
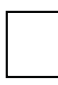
- Il est fortement recommandé de ne pas ouvrir ni fermer les vannes d'arrêt lorsque la température extérieure est inférieure à -21 °C (-5 °F), car cela pourrait entraîner une fuite de réfrigérant.
- Assurez-vous que l'appareil est mis sous tension durant au moins 12 heures après les périodes de mise hors tension dans un environnement de 32 °F (0 °C) ou moins.
- Ne touchez pas aux ailettes du serpentin. Toucher aux ailettes risque de les endommager ou d'occasionner une coupure de la peau.
- Assurez-vous que la capacité du circuit d'alimentation est adéquate pour toutes les charges connectées au panneau de branchement électrique. Augmentez la capacité du conducteur et du panneau si le total des charges électriques excède la source d'alimentation électrique.
- Contactez le fournisseur d'électricité si l'alimentation fournie est en dessous des spécifications inscrites sur la plaque signalétique de l'équipement.
- Assurez-vous d'installer un disjoncteur doté de la capacité requise.
- La réglementation relative aux câbles et aux disjoncteurs diffère selon les régions, reportez-vous à la réglementation locale.
- Utilisez une tuyauterie de réfrigérant qui est propre et exempte de contamination pouvant causer des dommages au système, notamment le soufre, l'oxyde de cuivre, la poussière, les fragments de métal, la poudre, l'huile ou l'eau.
- Évitez de braser ensemble les conduites. Utilisez une longueur de tuyau de cuivre continue étant donné que les oxydes produits par une technique de brasage incorrecte peuvent endommager l'équipement.
- N'utilisez pas de tuyaux de cuivre dont une partie s'est affaissée, déformée ou décolorée (en particulier sur la surface intérieure). Autrement, des contaminants peuvent bloquer le détendeur ou le tube capillaire.
- Un dimensionnement incorrect de la tuyauterie diminue le rendement. Les pointes de pression du réfrigérant R454B sont beaucoup plus élevées que celles du R22. Utilisez une tuyauterie en cuivre dont l'épaisseur des parois est adéquate.
- Évitez les courbures abruptes afin de prévenir le bris du tuyau. Courbez le tuyau selon un rayon de courbure de 4 po (100 mm) ou plus.
- Le tuyau se brisera s'il est courbé à répétition au même endroit.

Outils nécessaires pour l'installation

- 5/8» (16mm), 7/8» (22mm), 1» (25mm) ou clé réglable
- R-454B réfrigérant*
- Ruban adhésif*
- Bride de câble de conduit 1/2 po*
- Tuyauterie en cuivre (voir tableau 3 page 15 pour dimensions)
- Tournevis à tête cruciforme no 2
- Perceuse
- Outil à évaser
- Clé hexagonale
- Scie-cloche 2 1/4 po
- IIsolant*
- Balance numérique de charge de réfrigérant
- Niveau
- Manomètre de pression d'admission définir
- Ruban à mesurer
- Azote sec (sans oxygène)*
- Coupe-tube (auto-serrant recommandé)
- Tuyau en PVC (optionnel, pour l'acheminement des condensats, le cas échéant)
- Couteau utilitaire
- Alésoir
- Outils de retrait de noyau Schrader
- Bride de tube (L.S.) et vis
- Scellant, non expansif (pour orifice de tuyauterie)
- Solution d'eau savonneuse* ou détecteur de fuite de gaz
- Localisateur de montants
- Clé dynamométrique
- Pompe à videp
- Pinces à dénuder
- Équipement de protection individuelle (lunettes de sécurité, gants)
- Tous les outils, les appareils de mesure et les appareils d'essai HVAC habituels et usuels

* consommables

Accessoires inclus

| Accessoires de l'unité extérieure inclus | | |
|--|---|----------|
| Nom | Aspect | Quantité |
| Tampon d'amortissement |  | 4 |
| Rallonge de tuyau d'aspiration |  | 1 |
| Rallonge de tuyau de liquide |  | 1 |
| Manuel d'installation |  | 1 |

IMPORTANT

Les évènements d'évacuation des séchoirs, des chauffe-eau et des fours doivent être dirigés loin de l'unité extérieure. Une exposition prolongée aux gaz d'échappement et aux produits chimiques qu'ils contiennent peut entraîner la formation de condensation sur l'armoire en acier et d'autres composants métalliques de l'unité extérieure. Cela réduira le rendement et la longévité de l'unité.

Lorsque l'unité extérieure est connectée à une unité intérieure approuvée par l'usine, l'unité extérieure contient une charge de réfrigérant du système pour un fonctionnement avec l'unité intérieure correspondante lorsqu'elle est connectée par 15 pieds (4,6 m) de tubulure fournie sur le site. Pour un fonctionnement correct de l'appareil, vérifiez la charge de réfrigérant à l'aide des informations de charge situées sur le couvercle du boîtier de commande.

Fonctionnement en mode 4 tonnes

Reportez-vous au Tableau 7 à la page 36 pour connaître les réglages corrects du commutateur pour configurer l'appareil du mode 5 tonnes au mode 4 tonnes.

Sélection du détendeur thermostatique du serpentín intérieur

La section extérieure doit correspondre à une section intérieure approuvée par l'usine. L'installateur est dans l'obligation de s'assurer que le bon détendeur thermostatique est installé dans la section intérieure. Reportez-vous à la section Tuyauterie de réfrigérant – Procédure typique de retrait de l'orifice fixe existant. Si nécessaire, retirez le piston existant et remplacez-le par le bon détendeur thermostatique. Reportez-vous à la section tuyauterie de réfrigérant – Procédure typique de retrait du détendeur existant pour plus de détails sur le remplacement du piston ou du détendeur thermostatique. Les modèles **NS15H** sont uniquement spécifiés avec un détendeur thermostatique sur le serpentín intérieur.

Section extérieure

Des règlements de zonage peuvent régir la distance minimale entre l'appareil de condensation et la ligne de propriété.

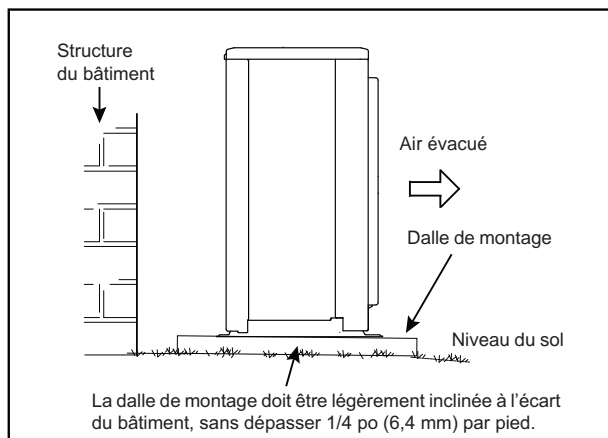


Figure 1. Montage sur dalle

Installez sur un socle de montage solide et de niveau

La section extérieure doit être installée sur une fondation solide. Cette fondation doit dépasser d'au moins 2 pouces (5,08 cm) les côtés de la section extérieure. Pour réduire la possibilité de transmission du bruit, la dalle de fondation NE doit PAS être en contact avec la fondation du bâtiment ou en faire partie intégrante. Voyez la Figure 1.

Si les conditions ou les codes locaux exigent que l'appareil soit fixé au socle ou au cadre de montage, des boulons d'arrimage doivent être utilisés et fixés au plateau de base de l'appareil.

Élévation de l'appareil



ATTENTION

L'accumulation d'eau et de glace dans le plateau de base peut endommager l'équipement.

Élevez l'appareil conformément aux exigences et aux codes locaux en matière de climat afin de fournir un dégagement au-dessus du niveau estimé de chute de neige et d'assurer un drainage adéquat de l'appareil. Utilisez un support à neige dans les zones où des températures de gel prolongées sont rencontrées.

Si les conditions ou les codes locaux exigent que l'appareil soit fixé au socle ou au cadre de montage, utilisez des boulons d'arrimage et fixez-les à travers les découpes prévues dans le plateau de base de l'appareil.

Placez l'appareil :

- Avec les dégagements requis de tous les côtés et au-dessus de l'appareil, conformément aux tableaux et figures de dégagement applicables.
- Sur une base ou une fondation solide, stable et de niveau (l'appareil doit être de niveau à $\pm 1/4$ po par pi (± 20 mm par m), selon les spécifications du fabricant du compresseur).
- À un endroit où la longueur des conduites de réfrigérant peut être maintenue aussi courte que possible, tout en respectant les exigences minimales.
- À un endroit où l'accès pour l'entretien et les dégagements électriques requis peuvent être maintenus.

NE PLACEZ PAS l'appareil :

- Sur des surfaces instables, de la maçonnerie empilée, des briques lâches ou des blocs de béton non liés.
- Près des événements d'évacuation de sècheuse, où des peluches pourraient s'accumuler sur la bobine extérieure.
- Près des événements d'évacuation de fumée de tout type.
- Près des aires de repos, des fenêtres ou d'autres endroits où le bruit de fonctionnement pourrait être inconfortable.
- Sous des avant-toits, terrasses ou surplombs sans gouttières, où l'eau, la neige ou la glace pourraient tomber directement sur l'appareil.
- À des endroits qui ne respectent pas les exigences minimales de dégagement indiquées dans les tableaux et figures de dégagement applicables.

INSTALLATIONS SUR TOIT

Lors de l'installation de l'unité extérieure sur un toit, respectez tous les codes locaux applicables, les codes du bâtiment et les exigences du fabricant de la toiture.

- Installez l'appareil sur une partie structurellement solide et porteuse du toit, de préférence au-dessus d'un mur porteur ou d'un support structurel capable de supporter le poids de l'appareil et les charges dynamiques de fonctionnement.
- Montez l'appareil sur un cadre ou un socle de montage de niveau et homologué pour la charge, et surélevez l'appareil d'au moins 6 po (152 mm) au-dessus de la surface du toit afin de permettre un drainage adéquat, d'éviter l'accumulation de glace ou de neige et de réduire le risque d'infiltration d'eau.
- Maintenez tous les dégagements requis pour la circulation d'air, l'entretien et l'électricité, comme spécifié dans les tableaux et figures de dégagement applicables.
- Placez l'appareil de façon à minimiser l'exposition aux vents dominants d'hiver. Si l'appareil ne peut être installé à l'abri des vents dominants, une barrière coupe-vent peut être installée, à condition qu'elle ne restreigne pas la circulation d'air ni l'accès pour l'entretien. La taille et l'emplacement de toute barrière coupe-vent doivent être déterminés par l'installateur en fonction des conditions du site et des exigences de dégagement du fabricant.
- Assurez-vous que toutes les pénétrations du toit sont correctement scellées et solinées conformément aux recommandations du fabricant de la toiture et aux codes locaux.

Dégagements requis

Lors de l'installation, laissez suffisamment d'espace pour la circulation de l'air, le câblage, la tuyauterie de réfrigérant et l'entretien. Pour une bonne circulation de l'air, un fonctionnement silencieux et une efficacité maximale. Placez l'appareil de façon que l'eau, la neige ou la glace provenant du toit ou de l'avant-toit ne puissent tomber directement sur l'appareil. Reportez-vous au tableau ci-dessous pour connaître les dégagements d'installation.

Tableau 1. Dégagements pour une seule unité

| Emplacement | Dégagements minimaux | | | | | |
|-------------|----------------------|--------------|----------------|---------------|---------------|---------------|
| | A | B | C | D | E | F |
| Entretien | 30 po (77 cm) | | | | | |
| Avant | 14 po (36 cm) | Ouvert | 14 po (36 cm) | Ouvert | 20 po (51 cm) | Ouvert |
| Arrière | Ouvert | 4 po (11 cm) | Ouvert | 4 po (11 cm) | 4 po (11 cm) | 4 po (11 cm) |
| Côté | Ouvert | Ouvert | Ouvert | 12 po (31 cm) | Ouvert | Ouvert |
| Dessus | Ouvert | Ouvert | 40 po (102 cm) | 20 po (51 cm) | Ouvert | 20 po (51 cm) |

REMARQUE : Au moins un côté doit être dégagé d'un mur ou d'un autre obstacle. Les obstacles situés à l'avant ou à l'arrière doivent, sur au moins un côté, être plus bas que l'unité extérieure.

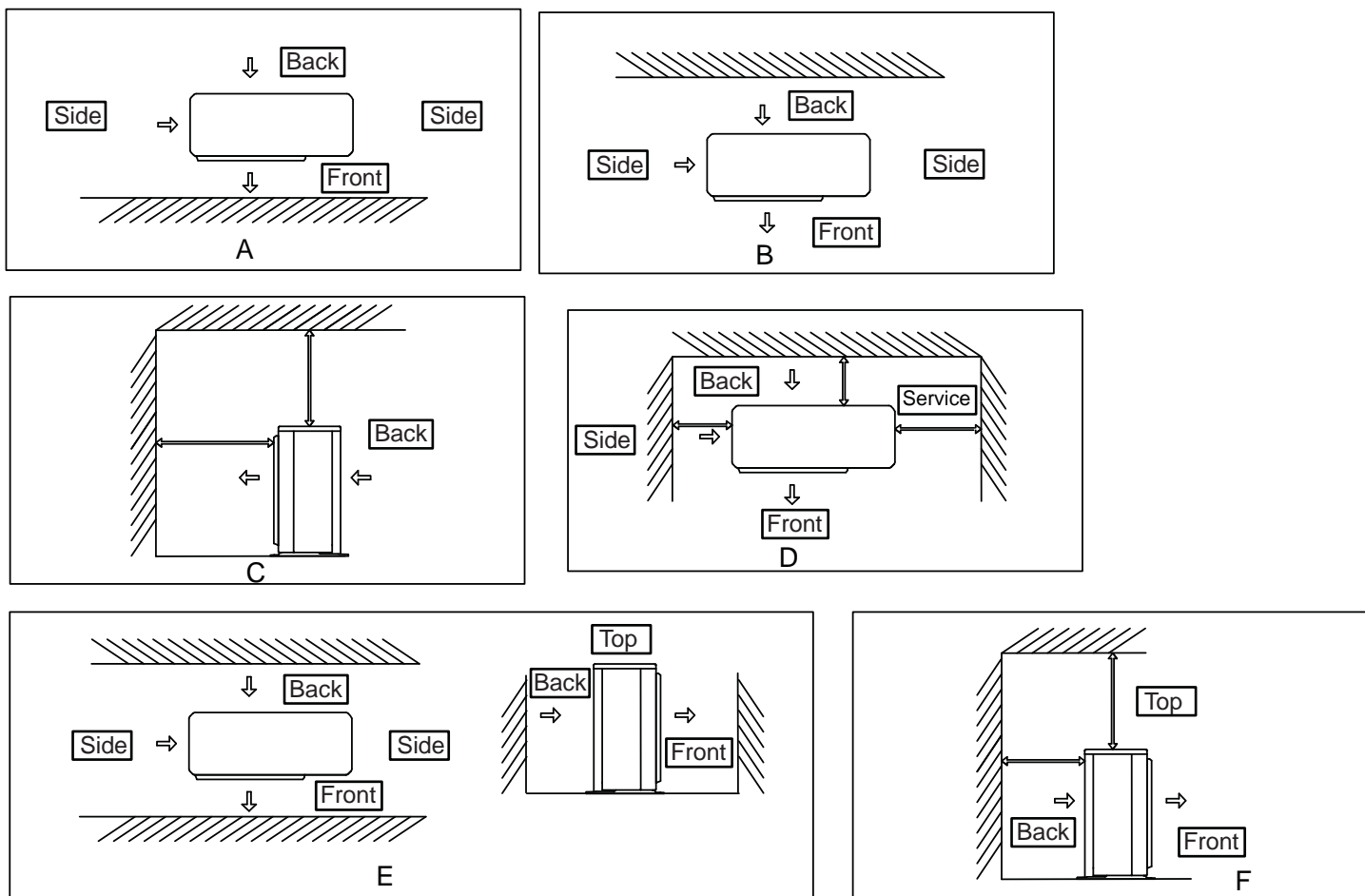


Figure 2. Configurations de dégagement pour une seule unité

Dégagements requis (suite)

Tableau 2. Dégagements pour plusieurs unités

| Emplacement | Dégagement minimal pour deux unités ou plus | | | |
|-------------|---|-------------|-------------|-------------------------------|
| | G | H | I | J |
| Entretien | 30" (77 cm) | | | |
| Avant | Open | Ouvert | 20" (51 cm) | comme illustré dans la figure |
| Arrière | 4" (11 cm) | 8" (21 cm) | 8" (21 cm) | comme illustré dans la figure |
| Côté | comme illustré dans la figure | 12" (31 cm) | Ouvert | 12" (31 cm) |
| Dessus | Ouvert | Ouvert | Ouvert | Ouvert |

REMARQUE : Au moins un côté doit être dégagé d'un mur ou d'un autre obstacle.
Les obstacles situés à l'avant ou à l'arrière doivent, sur au moins un côté, être plus bas que l'unité extérieure.

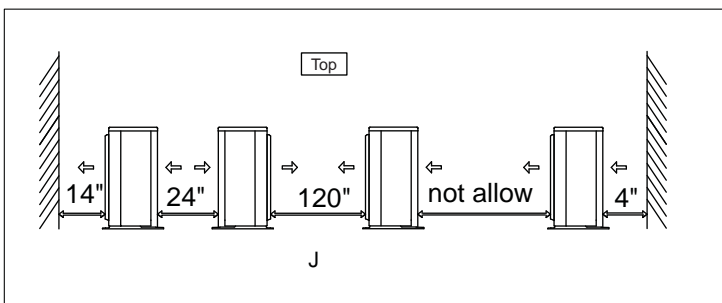
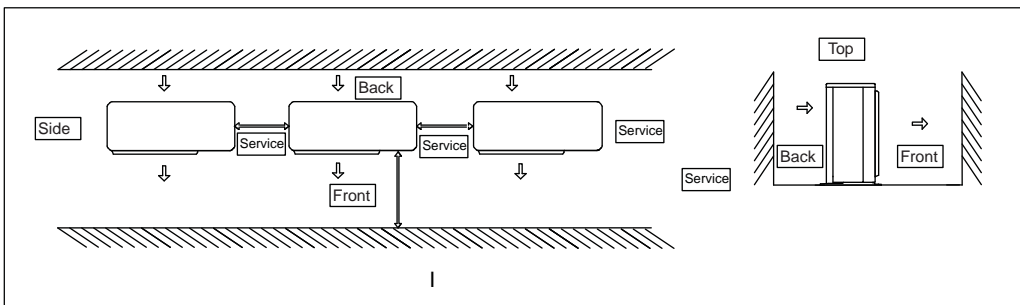
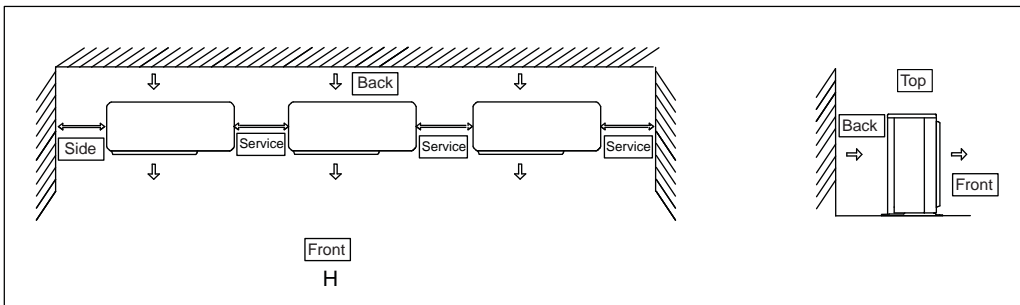
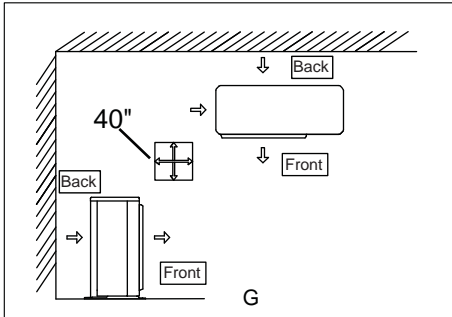
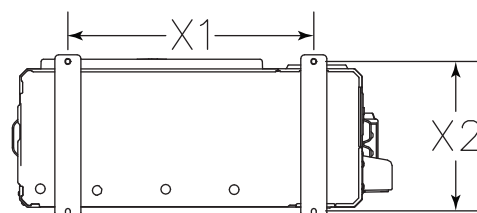
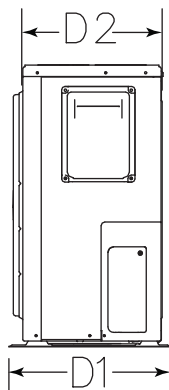
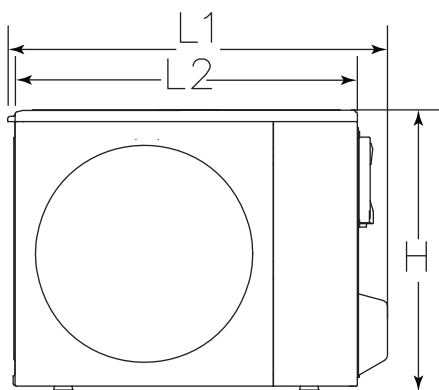


Figure 3. Configurations de dégagement pour plusieurs unités

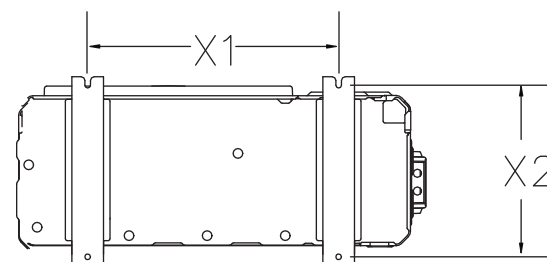
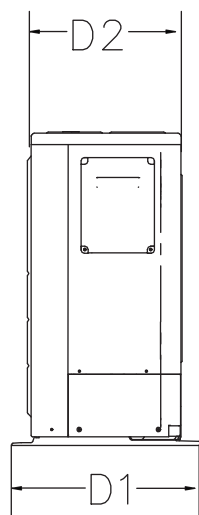
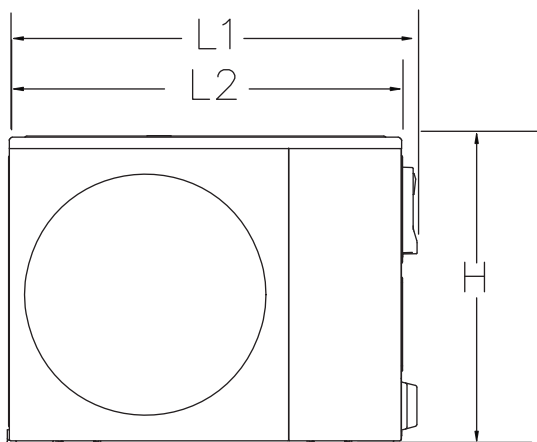
Dimensions de l'appareil

| Modèle | 18k | 24k | 30k | 36k | 42k | 48k | 60k |
|--------------------|------------------------|------------------------|-------------------------|-------------------------|------------------------|------------------------|------------------------|
| L1 | 39" (99.06 cm) | 39" (99.06 cm) | 40-3/16" (102.08 cm) | 40-3/16" (102.08 cm) | 43-1/8" (109.54 cm) | 43-1/8" (109.54 cm) | 43-1/8" (109.54 cm) |
| L2 | 35-1/16" (89.06 cm) | 35-1/16" (89.06 cm) | 36 1/4" (92.08 cm) | 36 1/4" (92.08 cm) | 41-3/8" (105.09 cm) | 41-3/8" (105.09 cm) | 41-3/8" (105.09 cm) |
| D2 | 13-3/8" (33.97 cm) | 13-3/8" (33.97 cm) | 14-5/8" (37.15 cm) | 14-5/8" (37.15 cm) | 15-3/4" (40.01 cm) | 15-3/4" (40.01 cm) | 15-3/4" (40.01 cm) |
| D1 | 16-1/8" (40.96 cm) | 16-1/8" (40.96 cm) | 17-1/8" (43.50 cm) | 17-1/8" (43.50 cm) | 19-7/8" (50.48 cm) | 19-7/8" (50.48 cm) | 19-7/8" (50.48 cm) |
| H | 27-9/16" (70.01 cm) | 27-9/16" (70.01 cm) | 30-1/8" (76.52 cm) | 30-1/8" (76.52 cm) | 33-1/16" (84.01 cm) | 33-1/16" (84.01 cm) | 33-1/16" (84.01 cm) |
| X1 | 24-7/8" (63.18 cm) | 24-7/8" (63.18 cm) | 26" (66.04 cm) | 26" (66.04 cm) | 26-9/16" (67.47 cm) | 26-9/16" (67.47 cm) | 26-9/16" (67.47 cm) |
| X2 | 14-1/2" (36.83 cm) | 14-1/2" (36.83 cm) | 15-13/16" (40.16 cm) | 15-13/16" (40.16 cm) | 18-1/8" (46.04 cm) | 18-1/8" (46.04 cm) | 18-1/8" (46.04 cm) |
| Poids (expédition) | 145 lbs (65.77 kg) | 145 lbs (65.77 kg) | 175 lbs (79.38 kg) | 175 lbs (79.38 kg) | 223 lbs (101.15 kg) | 224 lbs (101.61 kg) | 255 lbs (115.67 kg) |
| Poids (net) | 112 lbs (50.80 kg) | 112 lbs (50.80 kg) | 138 lbs (62.60 kg) | 138 lbs (62.60 kg) | 178 lbs (80.74 kg) | 179 lbs (81.19 kg) | 211 lbs (95.71 kg) |

Appareils 18K/24K/30K/36K



Appareils 42K/48K/60K



Tuyauterie de réfrigérant

- Utilisez uniquement des tuyaux en cuivre de qualité frigorigène.
- Le **Tableau 3** montre les restrictions d'installation des tuyaux pour les systèmes bibloc.
- Assurez-vous que les diamètres des tuyaux de vapeur et de liquide sont appropriés à la capacité de l'appareil.
- Acheminez les tuyaux de réfrigérant aussi directement que possible en évitant les virages et les courbures inutiles.
- Lors du passage des tuyaux de réfrigérant à travers le mur, scellez l'ouverture avec un silicone vulcanisant à température ambiante (RTV) ou un autre calfeutrage à base de silicone.
- Évitez le contact direct avec les conduites d'eau, les conduits de ventilation, les solives de plancher, les montants muraux, les planchers, les murs, et toute structure.
- Ne suspendez pas la tuyauterie de réfrigérant aux solives et aux montants avec un fil rigide ou une bride qui entre en contact direct avec la tuyauterie.
- Assurez-vous que l'isolation de la tuyauterie est pliable et entoure complètement le tuyau de vapeur.

Il est important de ne pas couper la tuyauterie ni casser les sceaux tant que vous n'êtes pas prêt à effectuer les connexions à l'évaporateur et à la section du condenseur. NE retirez PAS les bouchons en caoutchouc ou les capuchons en cuivre des extrémités du tuyau avant d'être prêt à effectuer les connexions à l'évaporateur et au condenseur. Ne laissez en aucun cas les tuyaux ouverts à l'atmosphère pendant quelque temps que ce soit, si tel est le cas, l'appareil nécessite une évacuation supplémentaire pour éliminer l'humidité.

Soyez extrêmement prudent dans les courbes serrées. Les tuyaux peuvent « plier » très facilement, et si cela se produit, toute la longueur du tuyau devra être remplacée. Une attention particulière à ce moment éliminera les problèmes d'entretien futurs.

Il est recommandé de ne pas surdimensionner les colonnes montantes d'aspiration verticales. Le retour correct de l'huile vers le compresseur doit être maintenu avec la vitesse du gaz d'aspiration.

Filtre déshydrateur

Le filtre déshydrateur installé en usine est très important pour la fiabilité du système. Le filtre déshydrateur doit être remplacé avant de recharger l'appareil si le réfrigérant doit être évacué pour réparation. Les spécifications du filtre déshydrateur sont indiquées dans le tableau ci-dessous.

| D.E. | Plage de température | Pression de service maximale | Réfrigérant compatible |
|---------|----------------------|------------------------------|------------------------|
| 3/8 in. | -40°F to +248°F | 650 psig | R-454B |
| 9.52 mm | -40°C to +120°C | 4.5 MPa | R-454B |

Installation des jeux de tuyaux

NE fixez PAS les tuyaux de liquide ou d'aspiration en contact direct avec la solive du plancher ou du plafond. Utilisez un support isolé ou suspendu. Gardez les deux tuyaux séparés et isolez toujours le tuyau d'aspiration. Les tuyaux de liquide (30 pieds (9.14 m) ou plus) dans un grenier nécessiteront une isolation. Acheminez les jeux de tuyaux de réfrigération de façon à minimiser leur longueur.

NE laissez PAS les tuyaux de réfrigérant entrer en contact direct avec la fondation. Lors du passage des tuyaux de réfrigérant à travers la fondation ou le mur, les ouvertures doivent permettre de placer ou d'installer un matériau absorbant les sons et les vibrations entre les tuyaux et la fondation. Tout espace entre la fondation ou le mur et les tuyaux de réfrigérant doit être rempli d'un matériau amortissant les vibrations.

ATTENTION

Si un QUELCONQUE tuyau de réfrigérant nécessite d'être enfoui selon les codes nationaux ou locaux, prévoyez une élévation verticale de 6 pouces (15,2 cm) au niveau du robinet de service.

ADVERTISSEMENT

Les huiles à base d'éther polyvinylique (PVE) utilisées avec le réfrigérant HFC-454B absorbent très rapidement l'humidité. Il est très important que le circuit de réfrigération reste fermé le plus possible. NE retirez PAS les capuchons des jeux de tuyaux frigorifiques ou ceux des embouts des robinets de service avant d'être prêt à effectuer les raccordements.

IMPORTANT

Si cet appareil est apparié à un jeu de tuyaux ou à un serpentín d'unité intérieure approuvés qui a été précédemment chargé d'huile minérale, ou s'il est apparié à un serpentín qui a été fabriqué avant janvier 1999, le serpentín et le jeu de tuyaux doivent être rincés avant l'installation. Veillez à vider tous les purgeurs existants. Des huiles d'éther polyvinylique (PVE) et d'ester à base de polyol (POE) sont utilisées dans ces appareils à capacité variable chargés de réfrigérant HFC-454B. L'huile minérale résiduelle peut agir comme un isolant, empêchant le transfert de chaleur approprié. Il peut également obstruer le dispositif d'expansion et réduire le rendement et la capacité du système. La garantie sera annulée si le rinçage du système n'est pas effectué correctement conformément à ces instructions et au manuel de procédures d'installation et d'entretien détaillées.

REMARQUES

Le « réfrigérant propre » est tout réfrigérant dans un système qui n'a pas connu de grillage du compresseur. Si le système a subi un grillage, il est recommandé de remplacer le jeu de tuyaux et le serpentín intérieur existants.

REMARQUES

Au lieu du R-454B, un agent de rinçage aux normes de l'industrie peut également être utilisé.

Système de thermopompe (HFC454B)

- La longueur totale équivalente est égale à 180 pieds (54.86 m) (tuyauterie et tous les raccords inclus). La longueur est à titre d'indication générale. Les longueurs peuvent être de

REMARQUE: Length is general guide. Lengths may be

Rinçage du jeu de tuyaux frigorifiques

Rincez le jeu de tuyaux existant en suivant les instructions suivantes. Pour plus d'informations, reportez-vous au manuel des procédures d'installation et d'entretien. .



ATTENTION

Ne tentez pas de rincer et de réutiliser les jeux de tuyaux existants ou le serpentín intérieur lorsque le système contient des contaminants (p. ex. grillage du compresseur).

Pièges à aspiration

Pour les systèmes dont l'unité extérieure est située à 5 à 60 pieds (1,52 à 18,29 m) au-dessus de l'unité intérieure, un piège doit être installé au bas de la colonne montante d'aspiration.

REMARQUE: Une attention particulière doit être prise pour les jeux de tuyaux de plus de 50 pieds (15,24 m). Reportez-vous aux directives sur la tuyauterie de réfrigérant.

Tableau 3. Informations sur la charge de réfrigérant et la longueur de tuyauterie

| Modèle | Charge de réfrigérant (lb - oz)* | Pour la longueur de la conduite liquide | Longueur maximale du système | Longueur verticale maximale | Tailles des raccords de la vanne de service | | Tailles des conduites de réfrigérant | |
|--------|----------------------------------|---|------------------------------|-----------------------------|---|--------------------------------|--------------------------------------|------------------|
| | | | | | Raccord de la conduite d'aspiration | Raccord de la conduite liquide | Conduite d'aspiration | Conduite liquide |
| 18K | 3 - 4 | 0.55 oz/pi | 150 pi | 50 pi | 5/8 po | 3/8 po | 3/4 po | 3/8 po |
| 24K | 3 - 11,6 | | | | | | | |
| 30K | 4 - 8,3 | | | | | | | |
| 36K | 4 - 8,3 | | 100 pi | | | | | |
| 42K | 6 - 11,4 | | | | | | | |
| 48K | 7 - 5,5 | | | | | | | |
| 60K | 8 - 1,1 | | | 3/4 po | | 7/8 po | | |

* Charge d'usine pour 15 pieds (4,57 m) de conduite; ajustez selon les instructions d'installation.

Tableau 4. Indications pour les jeux de tuyaux

| Tonnage | Longueur équivalente totale max. | Longueur réelle linéaire max. | Colonne montante vapeur max. | Montée liquide linéaire max. | Tailles des tuyaux vapeur, circuit horiz. | Taille requise colonne vapeur |
|-----------|----------------------------------|-------------------------------|------------------------------|------------------------------|---|-------------------------------|
| 18K / 24K | 180 ft 54.86 m | 150 ft 45.72 m | 50 ft 15.24 m | 50 ft 15.24 m | 3/4" | 5/8" |
| 30K | | 150 ft 45.72 m | 50 ft 15.24 m | 50 ft 15.24 m | 3/4" | 5/8" |
| 36K | | 150 ft 45.72 m | 50 ft 15.24 m | 50 ft 15.24 m | 3/4" | 5/8" |
| 42K / 48K | | 100 ft 30.48 m | 50 ft 15.24 m | 50 ft 15.24 m | 7/8" | 3/4" |
| 60K | | 100 ft 30.48 m | 50 ft 15.24 m | 50 ft 15.24 m | 7/8" | 7/8" |

Tableau 5. Sélection du diamètre du tuyau de liquide

| Tonnage | Diamètre | Longueur linéaire totale (pieds) | | | | | | Altitude max. (pi) |
|-----------------|----------|----------------------------------|------------------|------------------|-------------------|------------------|-------------------|--------------------|
| | | 25 ft 7.62 m | 50 ft 15.24 m | 75 ft 22.86 m | 100 ft 30.48 m | 125 ft 38.1 m | 150 ft 45.72 m | |
| 18K / 24K | 3/8" | 25 ft 7.62 m | 50 ft 15.24 m | 50 ft 15.24 m | 50 ft 15.24 m | 50 ft 15.24 m | 50 ft 15.24 m | 50 ft 15.24 m |
| 30K / 36K | | | | | | | | |
| 42K / 48K / 60K | | | | | | | | |

A. Trouvez votre tonnage sur le côté gauche du tableau.

B. Sélectionnez la longueur linéaire totale réelle de votre système indiquée en haut du tableau.

C. L'élévation indiquée dans le tableau correspond au maximum permis pour la conduite de liquide mentionnée.

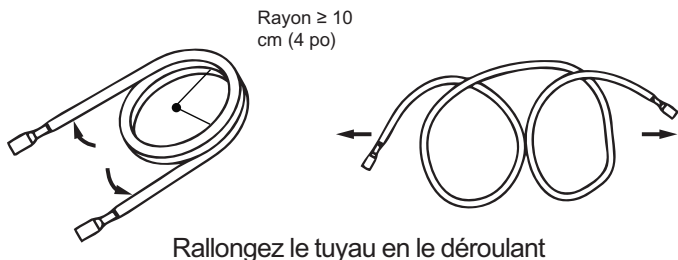
REMARQUE : La longueur linéaire totale fait référence à la longueur réelle de la tuyauterie et n'inclut pas la longueur équivalente des raccords.

Installation d'un jeu de tuyaux conventionnel : cintrage des tuyaux

1. Utilisez une cintreuse pour modifier la direction du tuyau.
2. Si le tube est enroulé, rallongez-le en le déroulant depuis une extrémité.
3. NE pliez PAS le tuyau de façon excessive.

REMARQUE : Faites preuve d'une grande prudence pour ne pas endommager, entailler ou déformer le tuyau lors de sa découpe. Ceci réduira grandement l'efficacité de l'unité.

Figure 4. Rayon de courbure minimal
Correct Incorrect



4. Utilisez un couteau aiguisé pour couper l'isolation du tuyau, comme illustré, et pliez le tuyau après l'avoir exposé. Après le pliage, remettez l'isolation sur le tuyau et fixez-la solidement avec du ruban adhésif

REMARQUE : La rallonge de tube est incluse avec l'unité.

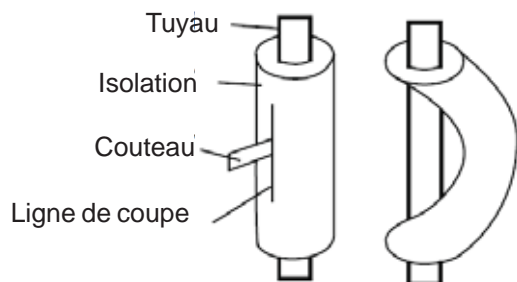


Figure 5.

Étape 1 : Découpe

1. Lors de la préparation des tuyaux de frigorigène, prenez votre temps pour les couper et les évaser correctement. Ceci assure un fonctionnement optimal et réduit le besoin de réparations ultérieures et la perte de confort.
2. Mesurez et consignez la distance entre les unités intérieures et extérieures.
3. Assurez-vous que le tuyau est coupé à un angle de 90° parfait. Consultez l'image ci-dessous pour vous guider.

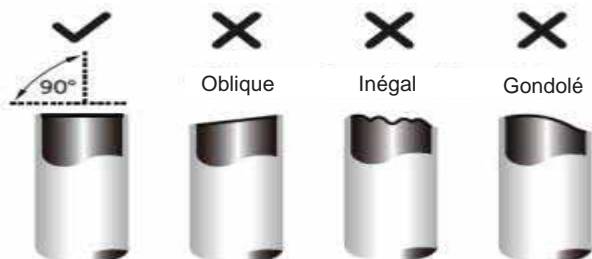


Figure 6.

Étape 2 : Ébavurage

Les bavures ont une incidence sur le joint étanche à l'air du raccord de tuyauterie de frigorigène. Elles doivent être retirées complètement.

1. Tenez le tuyau à un angle descendant pour éviter que les bavures ne tombent dans le tuyau.
2. À l'aide d'un alésoir ou d'un outil d'ébavurage, retirez toutes les bavures à l'intérieur et à l'extérieur de la section coupée du tuyau.
3. Après la coupe et l'ébavurage, ne laissez jamais le tube exposé à l'atmosphère. Scellez solidement les extrémités découpées avec du ruban PVC.

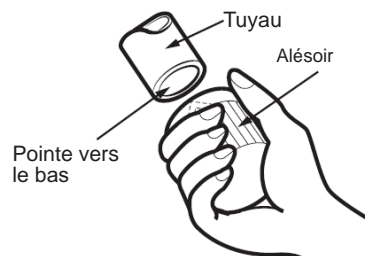


Figure 7.

Installation d'un jeu de tuyaux conventionnel : cintrage des tuyaux / Raccord de tuyau

REMARQUE : L'étape de l'évasement est nécessaire uniquement si les rallonges de tuyauterie incluses avec la thermopompe ne peuvent être utilisées.

Étape 3: Torchage

Il est essentiel de bien évaser les tuyaux pour obtenir un scellement hermétique.

1. Assurez-vous qu'il y a une isolation suffisante pour protéger toute la tuyauterie, d'un bout à l'autre.
2. Utilisez des écrous évasés de la pochette d'accessoires se trouvant dans l'emballage de l'unité intérieure. Posez l'écrou sur le tube à évaser.

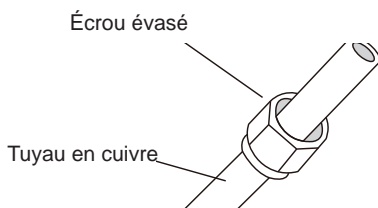


Figure 8.

3. Retirez le joint sur l'extrémité exposée et placez le tube dans l'évaseur sur l'extrémité exposée, et placez le tube dans l'évaseur R-454B.

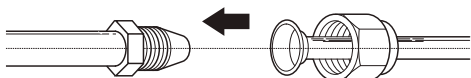


Figure 9.

4. Poussez le tube contre la butée de tuyau de l'évaseur et serrez le gabarit sur le tube.

Étape 3: Torchage (suite)

5. Tournez la poignée de la matrice dans le sens horaire jusqu'à ce que l'embrayage se libère, puis retirez le tube évasé du gabarit.

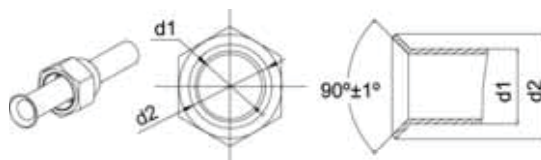


Figure 10.

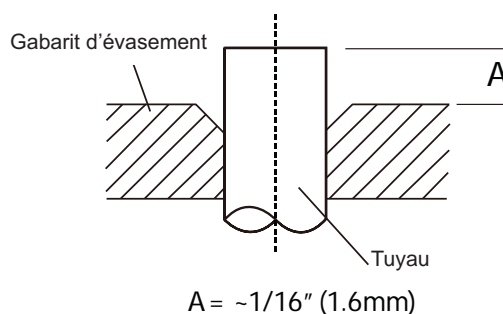


Figure 11.

6. Examinez l'évasement pour vous assurer qu'il n'y a aucune imperfection sur la lèvre de l'évasement, et que l'arrière de l'évasement s'ajuste parfaitement au siège de l'écrou évasé.

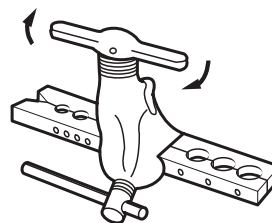


Figure 12.

Installation d'un jeu de tuyaux conventionnel : Raccord de tuyau

• Fixez les écrous évasés sur le robinet de service extérieur, serrez les raccords conformément aux spécifications illustrées dans le tableau de serrage ci-dessous.

• Il faut utiliser deux clés pour raccorder le raccord évasé; une clé standard et une clé dynamométrique ajustée aux réglages adéquats.

REMARQUE : La fixation forcée sans un centrage méticuleux peut endommager les filets et causer une fuite de frigorigène.

• Répétez le processus pour fixer l'autre extrémité de la tuyauterie.

| Diamètre de tuyau | Couple de serrage |
|-----------------------------------|----------------------|
| Côté liquide 6,35 mm (1/4 po) | 18 N.m / 13.3 Pi-lb |
| Côté liquide/gaz 9,52 mm (3/8 po) | 42 N.m / 30.1 Pi-lb |
| Côté gaz 12,7 mm (1/2 po) | 55 N.m / 40.6 Pi-lb |
| Côté gaz 15,88 mm (5/8 po) | 60 N.m / 44.3 Pi-lb |
| Côté gaz 19,05 mm (3/4 po) | 100 N.m / 73.8 Pi-lb |

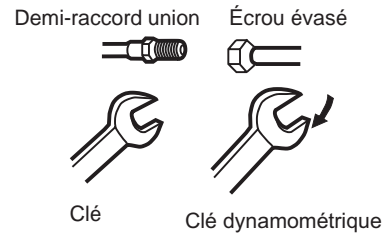


Figure 13.

• Ajoutez une charge de frigorigène supplémentaire au besoin avant d'ouvrir les robinets de service extérieurs

• Consignez la quantité de frigorigène ajoutée à l'encre indélébile à l'emplacement de longueur de tuyauterie entré plus tôt.

Capacités de correspondance de tuyau des rallonges de tuyau

| Modèle | Rallonge | Type de rallonge | Longueur de rallonge (po) | Diamètre de tuyau à extrémité réceptrice de la tuyauterie (po) | Diamètre du tuyau à extrémité évasée (po) | Type de connexion de l'ensemble de lignes |
|-------------|-----------------------|------------------|---------------------------|--|---|---|
| 18K/24K | Rallonge d'aspiration | Rigide | 7-3/4 | 3/4" | 5/8" | Brasage et mécanique |
| | Rallonge de liquide | | | 3/8" | 3/8" | Brasage et mécanique |
| 30K/36K | Rallonge d'aspiration | Rigide | 33-1/2 | 3/4" | 5/8" | Brasage et mécanique |
| | Rallonge de liquide | | | 3/8" | 3/8" | Brasage et mécanique |
| 42K/48K/60K | Rallonge d'aspiration | Rigide | 35-3/8 | 3/4" | 3/4" | Brasage et mécanique |
| | Rallonge d'aspiration | | | 7/8" | | Brasage |
| | Rallonge d'aspiration | | | 3/8" | 3/8" | Brasage et mécanique |

IMPORTANT : un adaptateur femelle de 5/16 po à mâle de 1/4 po est nécessaire pour raccorder des flexibles de calibre conventionnel aux robinets de service.

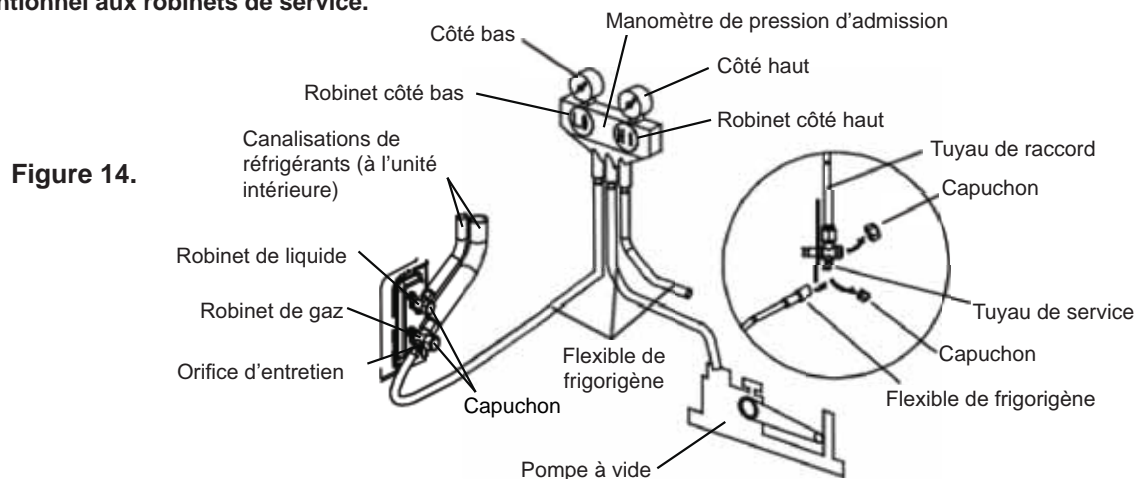


Figure 14.

REMARQUE : Cela montre que le raccord de manomètre devra avoir le flexible de manomètre côté haut raccordé au Robinet de liquide côté haut de manière à ce que les deux canalisations puissent être drainées et vérifiées relativement aux fuites.

Raccordez les manomètres et l'équipement pour la procédure de rinçage

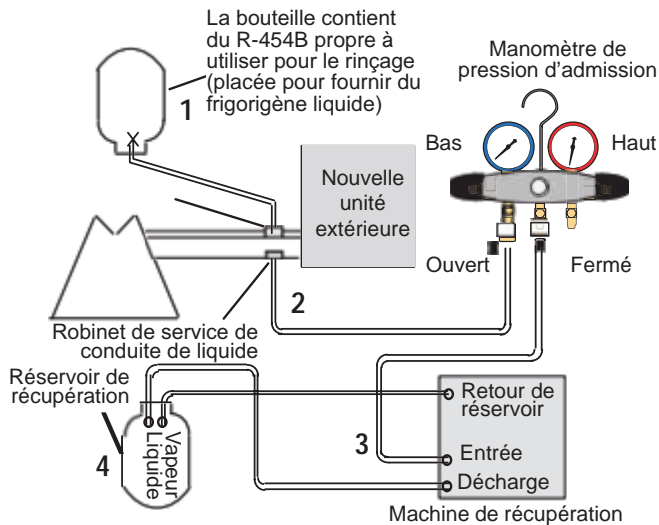


Figure 15. Raccordement des jauge

1. Bouteille contenant du R-454B propre (placée pour fournir du frigorigène liquide) au robinet de service de vapeur.
2. Ensemble de jauge de frigorigène (côté bas) au robinet de conduite de liquide.
3. Orifice central d'ensemble de jauge de frigorigène à l'entrée sur la machine de récupération avec un réservoir de récupération vide raccordé à l'ensemble de jauge.
4. Raccordez le réservoir de récupération à la machine de récupération conformément aux instructions de la machine.

Ensembles de tuyauterie de rinçage

REMARQUE: Si l'unité est destinée à être installée dans un système existant qui utilise une unité intérieure ou des ensembles de tuyauterie chargés avec du frigorigène R-22, l'installateur doit effectuer la procédure de rinçage suivante.

REMARQUE: Les composants existants du système (y compris la tuyauterie et le serpentin intérieur) doivent être un système AHRI qui correspond pour remplir les exigences de la garantie relativement à l'unité.

⚠ ADVERTISSEMENT



Risque d'incendie, d'explosion et de blessures personnelles. Le non-respect de cet avertissement peut entraîner des dommages, des blessures ou la mort.



Ne jamais utiliser d'oxygène pour pressuriser ou purger les conduites de réfrigération. L'oxygène, lorsqu'il est exposé à une étincelle ou à une flamme nue, peut provoquer un incendie et/ou une explosion, ce qui pourrait entraîner des dommages matériels, des blessures ou la mort.

⚠ ADVERTISSEMENT



Lorsque vous utilisez un gaz à haute pression tel que l'azote pour pressuriser un système de réfrigération ou de climatisation, utilisez un détendeur qui peut contrôler la pression jusqu'à 1 ou 2 psig (6,9 à 13,8 kPa).

⚠ ADVERTISSEMENT

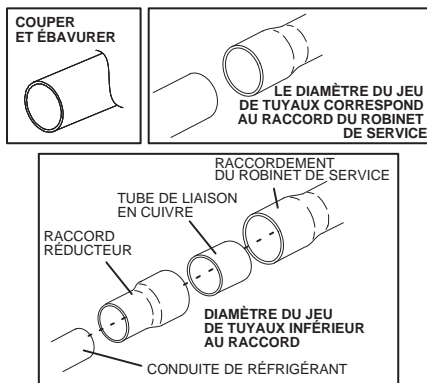
Le réfrigérant doit être récupéré conformément aux codes nationaux et locaux.

1. Réglez la machine de récupération pour la récupération de liquide et démarrez la machine de récupération. Ouvrez les robinets du jeu de manomètres pour permettre à la machine de récupération de tirer un vide sur le jeu de tuyaux du système existant et le serpentin de l'unité intérieure.
2. Placez la bouteille de R-454B propre pour l'alimentation en réfrigérant liquide et ouvrez son robinet pour permettre au réfrigérant liquide de s'écouler dans le système par le robinet du tuyau de vapeur. Laissez le réfrigérant s'écouler de la bouteille, à travers le jeu de tuyaux et le serpentin de l'unité intérieure avant qu'il ne pénètre dans la machine de récupération.
3. Une fois que tout le réfrigérant liquide a été récupéré, mettez la machine de récupération en mode récupération de vapeur afin que toute la vapeur R-454B soit récupérée. Laissez la machine de récupération diminuer le système à 0.
4. Fermez le robinet sur le tambour R-454B inversé et les robinets du jeu de manomètres. Pompez le réfrigérant restant de la machine de récupération et arrêtez la machine.

Tuyauterie de réfrigérant– Procédures de brasage

1. COUPER ET ÉBAVURER

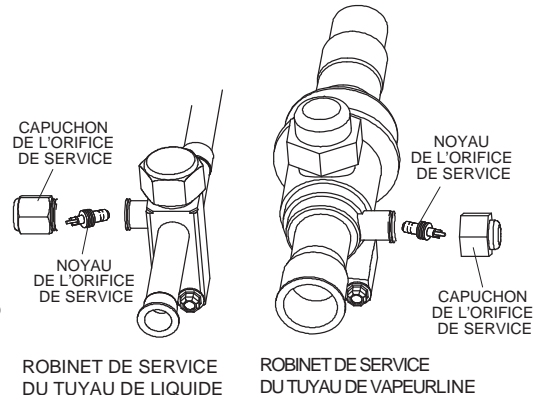
Coupez d'équerre les extrémités des tuyaux de réfrigérant (sans entailles ou bosses) et ébavurez les extrémités. Le tuyau doit demeurer rond. Ne sertissez pas l'extrémité du tuyau.



NE SERTISSEZ PAS LE RACCORD DU ROBINET DE SERVICE LORSQUE LE TUYAU EST PLUS PETIT QUE LE RACCORD

2. RETRAIT DU CAPUCHON ET DU NOYAU

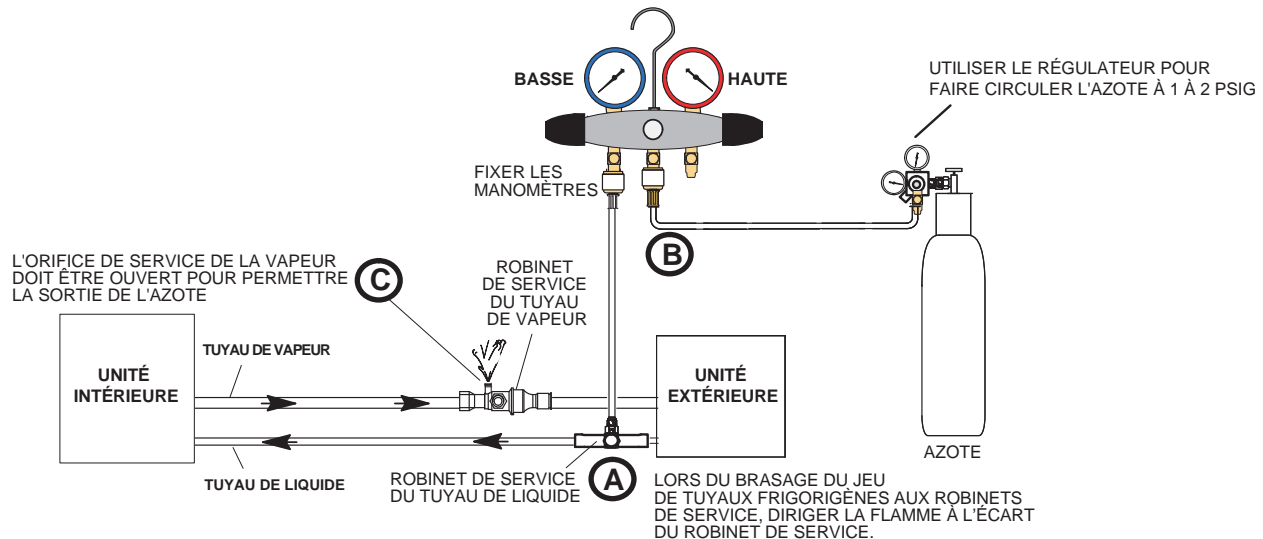
Retirez le capuchon d'entretien et le noyau des orifices d'entretien des tuyaux de vapeur et de liquide.



3. FIXER PAR BRASAGE LE JEU DE MANOMÈTRES DU COLLECTEUR AUX ROBINETS DE SERVICE DES TUYAUX DE LIQUIDE ET DE VAPEUR

Faites circuler de l'azote à débit régulé (à 1 à 2 psig ou 6,9 à 13,8 kPa) à travers le manomètre côté basse pression du système de réfrigération, dans la vanne du port de service de la conduite de liquide, puis ressortez par la vanne du port de service de la conduite de vapeur.

- A - Connectez le côté basse pression du jeu de manomètres sur le robinet de service du tuyau de liquide (orifice de service).
- B - Connecter l'orifice central du jeu de manomètres à la bouteille d'azote avec régulateur.
- C - Retirer le noyau du robinet dans l'orifice de service du tuyau de vapeur pour permettre à l'azote de s'échapper.



LORS DU BRASAGE DU JEU DE TUYAUX FRIGORIGÈNES AUX ROBINETS DE SERVICE, DIRIGER LA FLAMME À L'ÉCART DU ROBINET DE SERVICE.

REMARQUE

Utilisez un jeu de manomètres de collecteur conçu pour être utilisé sur les systèmes de réfrigération R-454B.

⚠ ADVERTISSEMENT



Avant le brasage, assurez-vous que le système a entièrement récupéré tout le réfrigérant. L'application d'un chalumeau de brasage sur un système sous pression peut provoquer l'inflammation du mélange réfrigérant et huile. Vérifiez les pressions haute et basse avant d'appliquer de la chaleur.

⚠ ADVERTISSEMENT

Les alliages et les flux pour brasage contiennent des matières nocives pour la santé.

Évitez de respirer les vapeurs ou les fumées provenant des manœuvres de brasage. Effectuez les manœuvres uniquement dans des endroits bien ventilés.

Portez des gants et des lunettes de protection ou un écran facial pour vous protéger contre les brûlures.

Lavez-vous les mains avec du savon et de l'eau après avoir manipulé des alliages et des flux de brasage.

Tuyauterie de réfrigérant– Procédures de brasage (suite)

4. ENVELOPPEMENT DES ROBINETS DE SERVICE

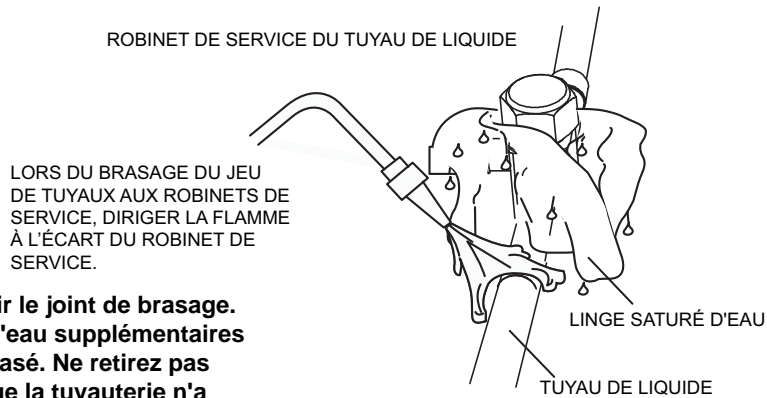
Pour protéger les joints des robinets de service du produit pendant le brasage, enveloppez-les dans des linges saturés d'eau autour des corps des robinets de service et des goujons en cuivre. Utilisez des chiffons saturés d'eau supplémentaires sous le corps de robinet pour protéger la peinture de base.

5. TESTS DE VÉRIFICATION DES FUITES

Faites circuler de l'azote contrôlé (à 1 à 2 psig ou 6,9 à 13,8 kPa) à travers le jeu de manomètres de réfrigération jusque dans la connexion de l'orifice du corps de robinet sur le robinet de service du tuyau de liquide, et hors de l'orifice du corps du robinet de vapeur. Voyez les étapes 3A, 3B et 3C sur les connexions du jeu de manomètres du collecteur.

6. BRASAGE DU JEU DE TUYAUX

Enveloppez les deux robinets de service dans des linges saturés d'eau, comme illustré ici et mentionné à l'étape 4, avant de les braser au jeu de tuyaux. Les linges doivent rester saturés en eau tout au long du processus de brasage et de refroidissement.



IMPORTANT — Laissez refroidir le joint de brasage. Appliquez des linges saturés d'eau supplémentaires pour aider à refroidir le joint brasé. Ne retirez pas les linges saturés d'eau tant que la tuyauterie n'a pas refroidi. Les températures supérieures à 250 °F endommagent les joints de robinet.

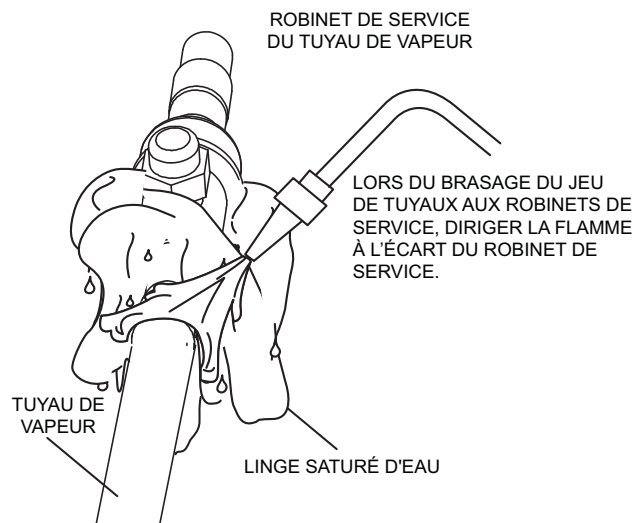


⚠ AVERTISSEMENT



UN INCENDIE, DES BLESSURES CORPORELLES OU DES DOMMAGES MATÉRIELS peuvent survenir si vous n'enveloppez pas un linge saturé d'eau autour des corps de robinet de service des tuyaux de liquide et d'aspiration et du raccord de liaison en cuivre pendant le brasage du jeu de tuyaux! La brasure, une fois terminée, doit être trempée avec de l'eau pour absorber toute chaleur résiduelle.

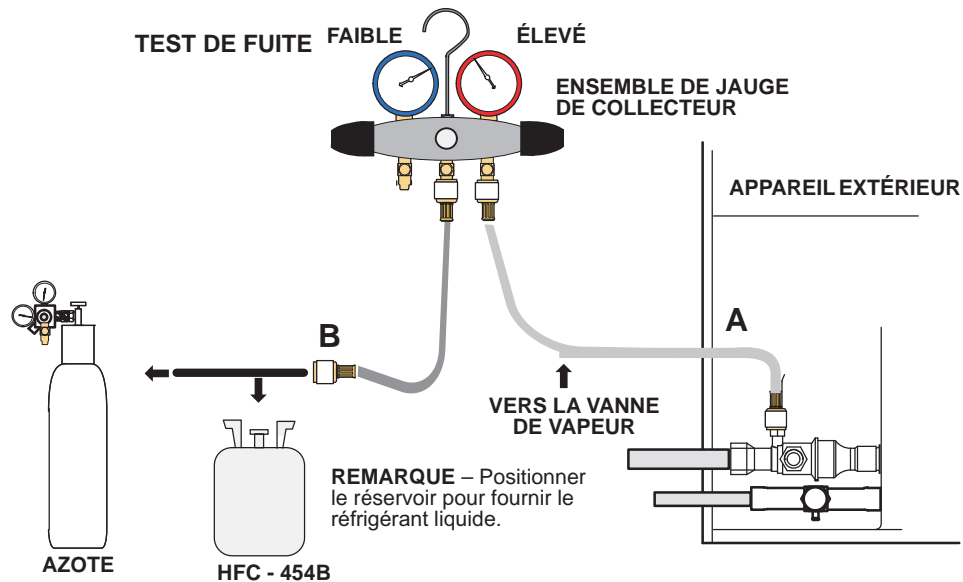
N'ouvrez pas les robinets de service tant que les tuyaux de réfrigérant et le serpentin intérieur n'ont pas été soumis à des tests d'étanchéité et évacués. Reportez-vous à la section Test d'étanchéité et évacuation de ce manuel.



7. PRÉPARATION DE L'ÉTAPE SUIVANTE

Une fois toutes les connexions brasées, débranchez le jeu de manomètres du collecteur des orifices de service. Appliquez des linges saturés d'eau supplémentaires sur les deux robinets de service pour refroidir la tuyauterie. Une fois la tuyauterie refroidie, retirez tous les linges saturés d'eau.

Test d'étanchéité et évacuation



1. CONNECTER LE JEU DE MANOMÈTRES

A - Connectez le flexible haute pression d'un jeu de manomètres de collecteur HFC-454B sur l'orifice de service du robinet de vapeur.

REMARQUE – Normalement, le flexible haute pression est connecté sur l'orifice du tuyau de liquide. Cependant, le connecter sur l'orifice de vapeur protège mieux le jeu de manomètres contre les dommages causés par la haute pression.

B - Les deux robinets du collecteur étant fermés, connectez le contenant d'azote sur l'orifice central du jeu de manomètres du collecteur.

D - Réglez la pression d'azote à 150 psig (1034 kPa). Ouvrez le robinet situé sur le côté haute pression du jeu de manomètres du collecteur afin de pressuriser le jeu de tuyaux et l'unité intérieure.

E - Au bout de quelques minutes, ouvrez un des orifices du robinet de service et vérifiez que le réfrigérant ajouté au système plus tôt est mesurable à l'aide d'un détecteur de fuite.

F - Après le test d'étanchéité, débranchez les manomètres des orifices de service.

REMARQUE : Les noyaux des robinets de service demeurent retirés pour la procédure d'évacuation suivante.

2. TESTS DE VÉRIFICATION DES FUITES

Une fois le jeu de tuyaux connecté aux unités intérieure et extérieure, vérifiez que les connexions du jeu de tuyaux et l'unité intérieure ne fuient pas. Utilisez la procédure suivante pour vérifier l'absence de fuites.

A - Les deux robinets du collecteur étant fermés, connectez le contenant d'azote sur l'orifice central du jeu de manomètres du collecteur.

B - Ouvrez le côté haute pression du collecteur pour permettre au HFC-454B d'entrer dans le jeu de tuyaux et dans l'unité intérieure. Pesez une quantité trace de HFC-454B. (Une quantité trace est un maximum de 57 g (2 onces) de réfrigérant à une pression de 31 kPa (3 livres)). Fermez le robinet de la bouteille de HFC-454B et le robinet du côté haute pression du jeu de manomètres du collecteur. Débranchez la bouteille HFC-454B.

C - Connectez une bouteille d'azote avec un robinet de régulation de pression sur l'orifice central du jeu de manomètres de collecteur.

3. CONNECTER LE JEU DE MANOMÈTRES

REMARQUE - Retirez les noyaux des robinets de service (si ce n'est pas déjà fait).

A - Raccordez le côté basse pression du jeu de manomètres avec un raccord en T en ligne SAE 1/4 sur le robinet de service du tuyau de vapeur

B - Connectez le côté haute pression du jeu de manomètres sur le robinet de service du tuyau de liquide.

C - Branchez le connecteur de manomètre micron disponible sur le raccord en T en ligne 1/4 SAE.

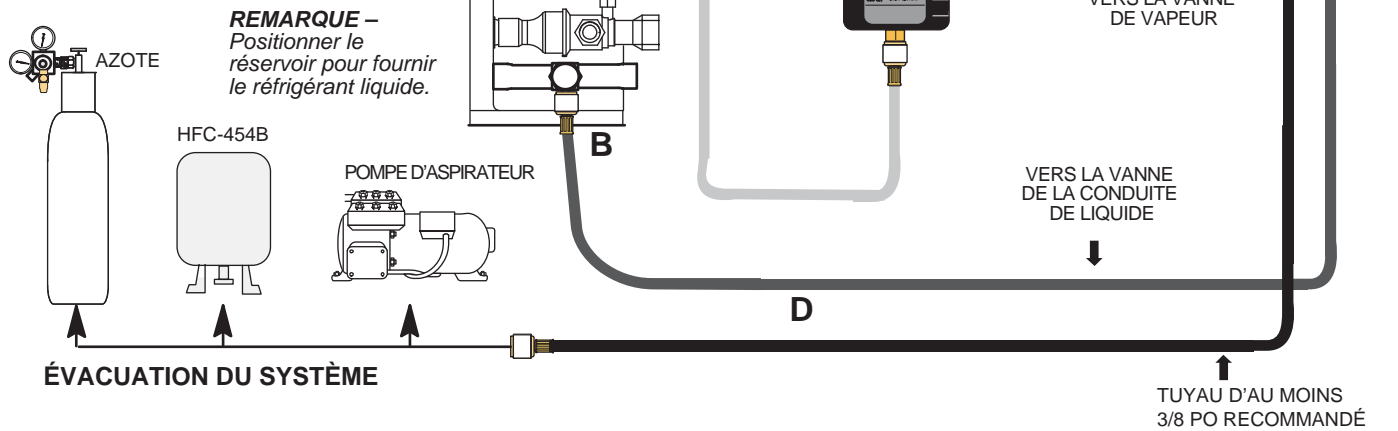
D - Connectez la pompe à vide (avec manomètre à vide) à l'orifice central du jeu de manomètres. Le tuyau de l'orifice central sera utilisé ultérieurement pour les bidons de HFC-454B et d'azote.

Test d'étanchéité et évacuation (suite)

⚠ AVERTISSEMENT

Possibilité de dommages à l'équipement.

Évitez le fonctionnement sous vide profond. N'utilisez pas de compresseurs pour évacuer un système. Un vide extrêmement faible peut provoquer un arc électrique interne et une défaillance du compresseur. Les dommages causés par le fonctionnement sous vide profond annulent la garantie.



Test d'étanchéité et évacuation (suite)

4. ÉVACUER LE SYSTÈME

A- Ouvrez les deux robinets du collecteur et démarrez la pompe à vide.

B -Évacuez le jeu de tuyaux et l'unité intérieure jusqu'à ce qu'un léger vide apparaisse sur le microvacuomètre (environ 23 000 microns ou 29,01 pouces (73.69 cm) de mercure).

REMARQUE - Pendant les premières étapes de l'évacuation, il est souhaitable de fermer le robinet du manomètre de collecteur au moins une fois. Une augmentation rapide de la pression indique une fuite relativement importante. Si cela se produit, répétez la procédure du test d'étanchéité. e.

REMARQUE – Le terme « pression absolue » désigne la pression réelle totale au-dessus du zéro absolu dans un volume ou un système donné. La pression absolue dans un vide est égale à la pression atmosphérique moins la pression à vide.

C - Lorsque la pression absolue atteint 23 000 microns (29,01 pouces (73.69 cm) de mercure), procédez comme suit

- Fermez les robinets des manomètres du collecteur.
- Fermer le robinet de la pompe à vide.
- Arrêtez la pompe à vide.
- Débranchez le flexible de l'orifice central du manomètre de collecteur de la pompe à vide.
- Connectez le flexible de l'orifice central du collecteur sur une bouteille d'azote avec régulateur de pression réglé à 150 psig (1034 kPa) et purgez le flexible.
- Ouvrez les robinets des manomètres de collecteur pour briser le vide dans le jeu de tuyaux et l'unité intérieure.
- Fermez les robinets des manomètres du collecteur.

D - Fermez la bouteille d'azote et retirez le flexible du manomètre de collecteur de la bouteille. Ouvrez les bouteilles des manomètres de collecteur pour évacuer l'azote du jeu de tuyaux et de l'unité intérieure.

E - Rebranchez le manomètre de collecteur sur la pompe à vide, démarrez la pompe, et continuez à évacuer le jeu de tuyaux et l'unité intérieure jusqu'à ce que la pression absolue ne dépasse pas 500 microns (29,9 pouces (75.95 cm) de mercure) dans les 20 minutes suivant l'arrêt de la pompe à vide et la fermeture des robinets du manomètre de collecteur.

F - Lorsque la pression absolue requise ci-dessus a été respectée, débranchez le flexible du collecteur de la pompe à vide et raccordez-le à une bouteille de HFC-454B positionnée pour fournir du réfrigérant liquide. Ouvrez le robinet du manomètre de collecteur à 1 à 2 psig (6,9 à 13,8 kPa) pour libérer le vide dans le jeu de tuyaux et l'unité intérieure.

G - Effectuez les opérations suivantes :

- Fermez les robinets des manomètres du collecteur.
- Fermez la bouteille HFC-454B.
- Réinstallez les noyaux des robinets de service en retirant le flexible du collecteur du robinet de service. Installez rapidement les noyaux à l'aide de l'outil pour noyau tout en maintenant une pression positive du système.
- Remplacez les capuchons de tige et serrez-les à la main, puis serrez d'un sixième (1/6) de tour supplémentaire comme illustré.

H - Ouvrez d'abord le robinet de service d'aspiration avant le robinet de liquide pour libérer la charge de l'appareil dans le système. Remettez les capuchons de robinet en place et serrez (8 lb-pi ou 10.85 N.m) . Les capuchons font office de joint primaire.



Électricité - Dimensionnement du circuit et acheminement des fils

Aux États-Unis, le câblage doit être conforme aux codes locaux en vigueur et au National Electric Code (NEC) en vigueur. Au Canada, le câblage doit être conforme aux codes locaux en vigueur et au Code canadien de l'électricité (CCE) en vigueur.

Consultez les instructions d'installation du fournaise ou de l'appareil de traitement d'air pour des schémas supplémentaires d'application du câblage et référez-vous à la plaque signalétique de l'unité extérieure pour connaître l'ampacité minimale du circuit et la taille maximale de la protection contre les surintensités.

Transformateur 24 VCA

Utilisez le transformateur fourni avec le générateur d'air chaud ou l'unité de traitement d'air pour la puissance de commande basse tension (24 VCA - 40 VA minimum).

Câblages de commande du thermostat et de la basse tension

Commande du thermostat 24 VCA classique

Le modèle **NS15H** fournit un fonctionnement à pleine capacité variable lorsqu'il est installé avec une thermopompe 24 VCA classique à deux étages ou un thermostat de thermopompe à un étage.

La commande extérieure du **NS15H** a des algorithmes de commande avancés qui fournissent un fonctionnement de capacité à vitesse variable réelle en modulant la vitesse du compresseur pour atteindre le point de consigne de pression d'aspiration cible en mode refroidissement et le point de consigne de pression de liquide en mode chauffage.

Lors de l'utilisation d'un thermostat 24 VCA classique à deux étages, six fils sont nécessaires pour contrôler l'unité extérieure (R, C, W1, O, Y1 et Y2). Reportez-vous au schéma de câblage sur site **NS15H** pour un thermostat 24 VCA classique à deux étages.

Lors de l'utilisation d'un seul thermostat 24 VCA classique, cinq fils sont nécessaires pour commander l'unité extérieure (R, C, W1, O et Y1) et Y1 est relié à Y2 dans l'unité extérieure. Notez que les données de rendement publiées sont basées sur l'utilisation d'un thermostat à deux étages. Reportez-vous au schéma de câblage sur site **NS15H** pour un thermostat 24 VCA classique à un étage.

⚠ ADVERTISSEMENT

Risque d'électrocution!



Peut causer une blessure grave ou mortelle. L'appareil doit être correctement mis à la terre conformément aux codes nationaux et locaux.

Sur les appareils avec contacteurs unipolaires, la tension secteur est présente à tous les composants même s'ils ne sont pas en fonctionnement. Débranchez toutes les alimentations électriques distantes avant d'ouvrir le panneau d'accès. L'appareil peut être équipé de plusieurs sources d'alimentation.

⚠ ADVERTISSEMENT

Risque d'incendie. L'utilisation d'un fil d'aluminium avec ce produit peut provoquer un incendie et causer des dommages matériels et des blessures graves ou mortelles. Utilisez uniquement des fils de cuivre avec ce produit.

⚠ ADVERTISSEMENT

Le défaut de dimensionner correctement le câblage et le disjoncteur peut entraîner des dommages matériels. Le dimensionnement du câblage et de(s) disjoncteur(s) s'effectue selon les spécifications techniques et la plaque signalétique de l'appareil.

⚠ ADVERTISSEMENT

DÉCHARGE ÉLECTROSTATIQUE (ESD)

Précautions et procédures

Les décharges électrostatiques peuvent affecter les composants électroniques. Prenez soin lors de l'installation et de l'entretien du générateur d'air chaud pour protéger ses commandes électroniques. Les précautions aideront à éviter l'exposition des commandes aux décharges électrostatiques en mettant le générateur d'air chaud, tles commandes et le technicien au même potentiel électrostatique. Touchez la main et tous les outils sur une surface non peinte de l'appareil avant d'effectuer une procédure d'entretien pour neutraliser la charge électrostatique.

| Type de thermostat | Type d'unité intérieure | Qté de fils à | Connexions du bornier NS15H | Fonctionnement de l'appareil | Schéma de câblage |
|---|----------------------------|---------------|-----------------------------------|--|-------------------|
| Thermostat de froid classique 24 VCA à 2 étages | Any Furnace or Air Handler | 6 | R, C, W1, O, Y1, Y2 | Fonctionnement à pleine capacité variable contrôlé par commande unitaire NS15H utilisant la pression d'aspiration | Page 33 |
| Thermostat de froid classique 24 VCA à un étage | Any Furnace or Air Handler | 5 | R, C, W1, O, Y1 (Jumper Y1 to Y2) | Fonctionnement à pleine capacité variable contrôlé par commande unitaire NS15H utilisant la pression d'aspiration | Page 32 |

Tableau 6. Options de commande du thermostat NS15H

Installation du thermostat

Installez le thermostat de la pièce (commandé séparément) sur un mur intérieur environ au centre de la zone climatisée et à 5 pieds (1,5 m) du plancher. Il ne doit pas être installé sur un mur extérieur ou là où il peut être affecté par la lumière du soleil ou les courants d'air.

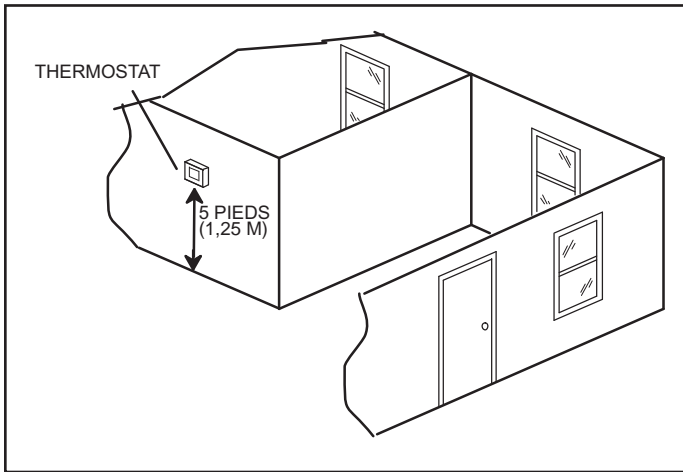


Figure 16.

REMARQUE : Les connexions de circuit de classe II 24 VCA sont effectuées dans le panneau de commande.

Dimensionner le circuit et installer le sectionneur d'entretien

Reportez-vous à la plaque signalétique de l'appareil pour connaître l'intensité minimale admissible du circuit et la valeur maximale du fusible ou du disjoncteur (HACR selon NEC). Posez le câblage d'alimentation et un sectionneur de taille appropriée. .

REMARQUE : Units are approved for use only with copper conductors. Ground unit at disconnect switch or connect to an earth ground.

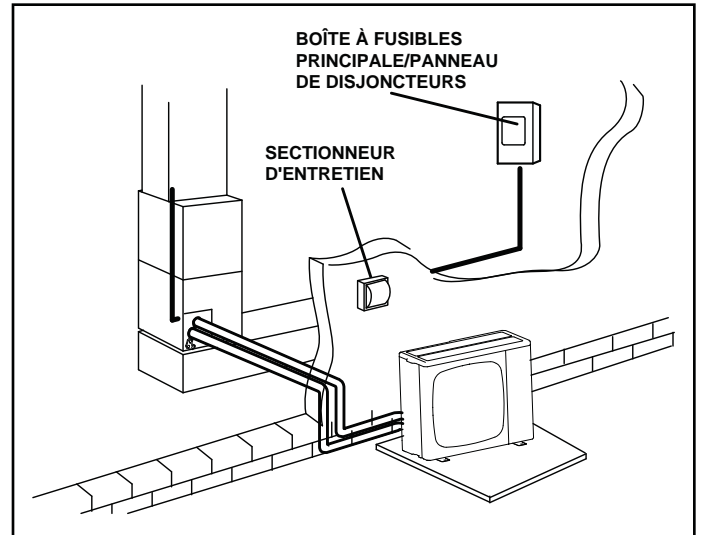


Figure 17.

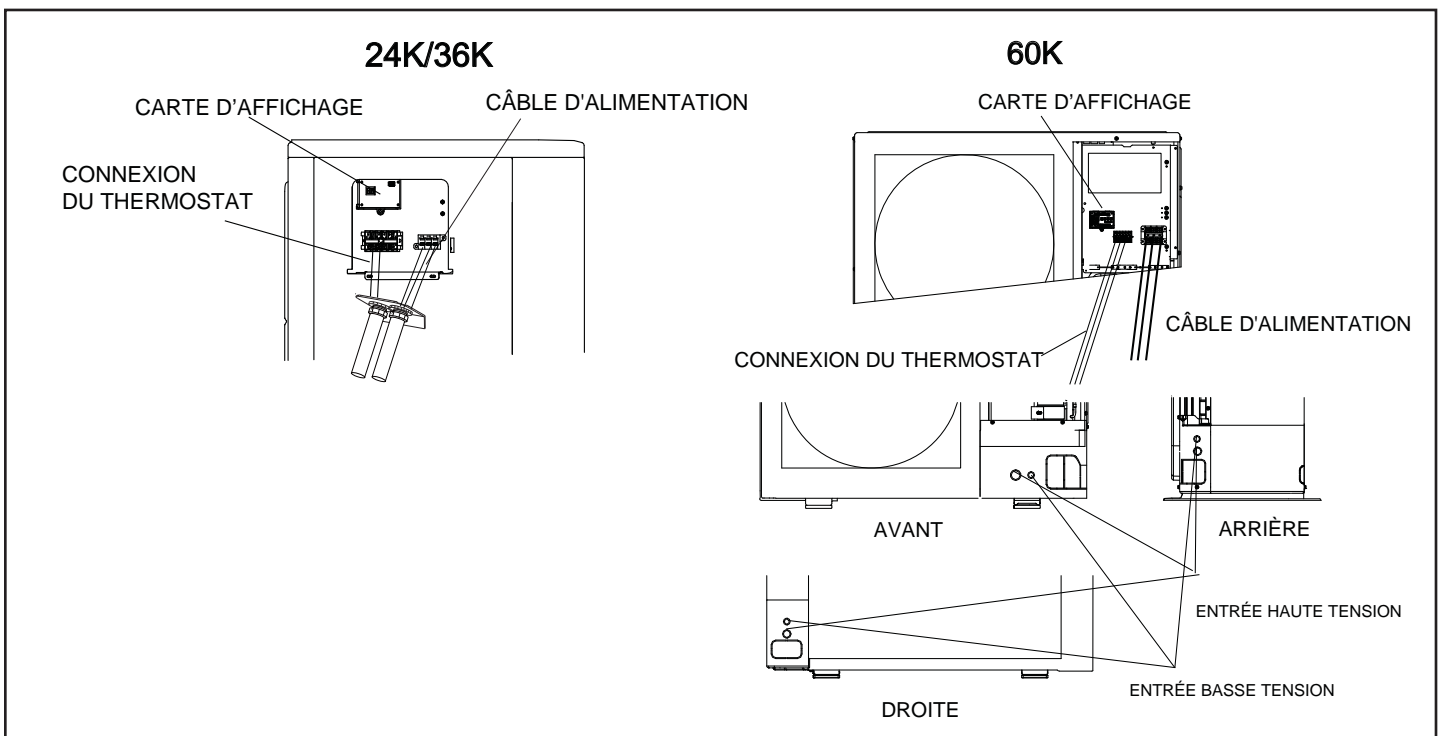


Figure 18.

REMARQUE : Sélectionnez l'ouverture de conduit appropriée pour le calibre de fil utilisé.

Acheminement des fils de commande

| Longueur du fil | AWG# | Type d'isolation |
|------------------------|------|---------------------------------------|
| Moins de 100 pi (30 m) | 18 | Temp. nominale 35°C (95°F) minimum |
| Plus de 100 pi (30 m) | 16 | |

Tableau 7. Câblage de thermostat 24 VCA classique

AVERTISSEMENT

Une installation, un réglage, une modification, une réparation ou un entretien incorrects peuvent entraîner des dommages matériels, des blessures corporelles ou la perte de vie.

L'installation et l'entretien doivent être effectués par un installateur CVC professionnel agréé (ou équivalent) ou par une agence de service.

AVERTISSEMENT

Tous les systèmes équipés d'au moins 4 lb de réfrigérant à potentiel de réchauffement climatique (PRC) faible classifié A2L doivent être équipés d'un système de détection de fuite de réfrigérant pour empêcher l'accumulation de réfrigérant faiblement inflammable dans les espaces clos de l'équipement CVC. Un système de détection de réfrigérant peut être nécessaire pour les systèmes qui contiennent moins de 4 lb de réfrigérant à faible PRC. Pour plus d'informations à ce sujet, contactez l'assistance technique.

L'installation d'un équipement CVC résidentiel d'origine à faible PRC sans système de détection de réfrigérant peut entraîner un risque d'incendie dans la maison en cas de fuite de réfrigérant.

AVERTISSEMENT

Cet appareil utilise un réfrigérant A2L (légèrement inflammable). Tous les travaux électriques doivent être effectués de manière à minimiser le risque d'inflammation dans le cas peu probable d'une fuite de réfrigérant.

- Assurez-vous que toutes les mises à la terre et liaisons équipotentielles de l'équipement sont complétées conformément aux exigences du NEC/CEC et des codes locaux.
- Les connexions électriques doivent être serrées, sécuritaires et exemptes d'arc, d'étincelles ou de surchauffe.
- NE PAS installer ni acheminer de composants électriques là où ils pourraient être exposés à un rejet, à une accumulation ou à une flaque de réfrigérant.
- NE PAS mettre l'appareil sous tension si le câblage électrique est endommagé, desserré ou mal raccordé.
- N'utilisez que des composants électriques homologués ou approuvés par le fabricant lors de l'entretien ou du remplacement de pièces.

Le non-respect des pratiques appropriées de mise à la terre, de liaison équipotentielle et de câblage peut augmenter le risque d'inflammation et entraîner des dommages à l'équipement, des blessures ou la mort.

Acheminement des fils haute tension et de terre

Le câblage sur site haute tension doit être fixé à l'écart de tout câblage sur site basse tension, et tout excès doit être coupé. Pour faciliter l'installation d'un conduit, une découpe est située dans la partie inférieure de la boîte de commande. Raccordez le conduit au boîtier de commande à l'aide d'un raccord de conduit approprié.

Connectez l'alimentation haute tension 208/230 du sectionneur au contacteur **NS15H**, comme illustré. Branchez le fil de terre de l'alimentation à la connexion de la cosse de terre de l'appareil.

AVERTISSEMENT

La carte de commande de la soufflante non communicante à système de détection de réfrigérant (SDR) a été testée avec des serpentins appariés d'origine uniquement. N'utilisez pas un contrôleur de système de détection de réfrigérant qui n'est pas d'origine ou un capteur de fuite qui n'est pas d'origine avec des serpentins d'origine. N'utilisez pas la carte de commande de soufflante non communicante SDR avec des serpentins ou des dispositifs de traitement d'air d'autres fabricants.

AVERTISSEMENT

Une installation incorrecte de la carte de commande de la soufflante non communicante SDR peut entraîner un fonctionnement non fiable de l'équipement et un risque d'incendie dû à des fuites de réfrigérant.

En plus de l'installation de la carte de commande de la soufflante non communicante SDR, des considérations doivent être prises en compte concernant le lieu de montage du capteur. Reportez-vous aux manuels d'installation de l'unité de traitement d'air, du serpentins et/ou du capteur d'origine respectifs pour plus de détails.

ATTENTION

Tout membre du personnel de service chargé de l'installation, de la mise hors service ou de l'entretien de l'appareil doit être correctement formé aux réfrigérants à potentiel de réchauffement climatique (PRC).

L'appareil doit rester sous tension sauf pour les opérations d'entretien.

Certifications

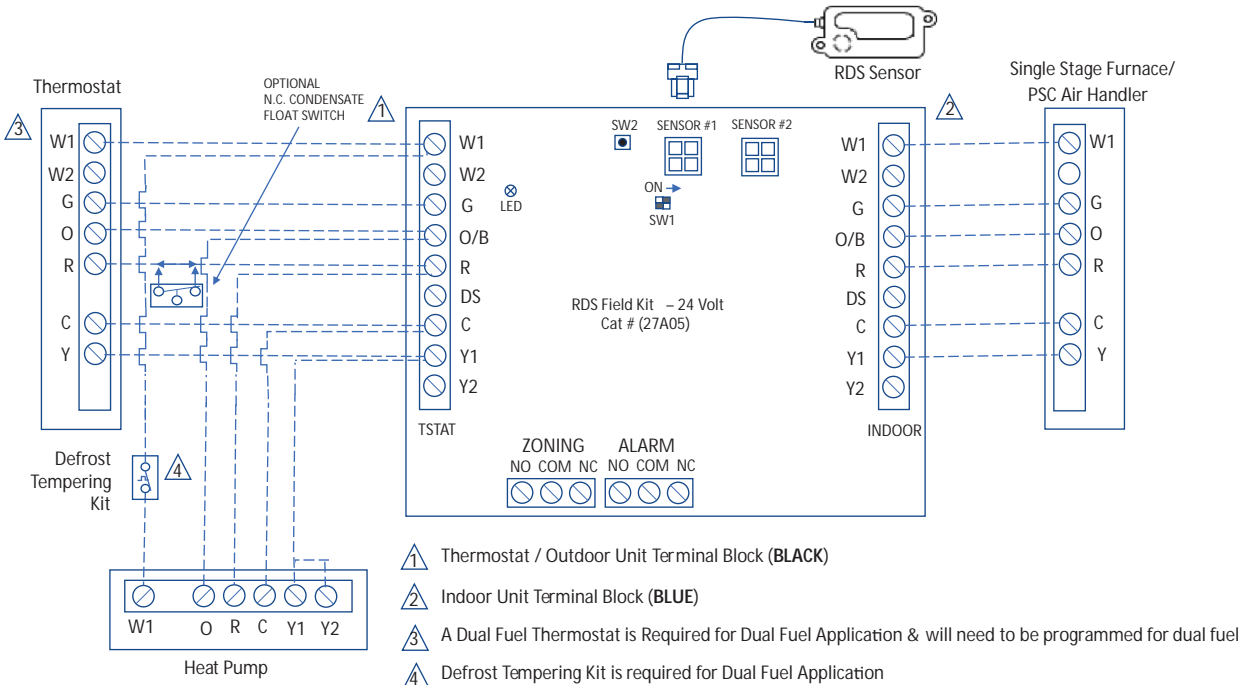
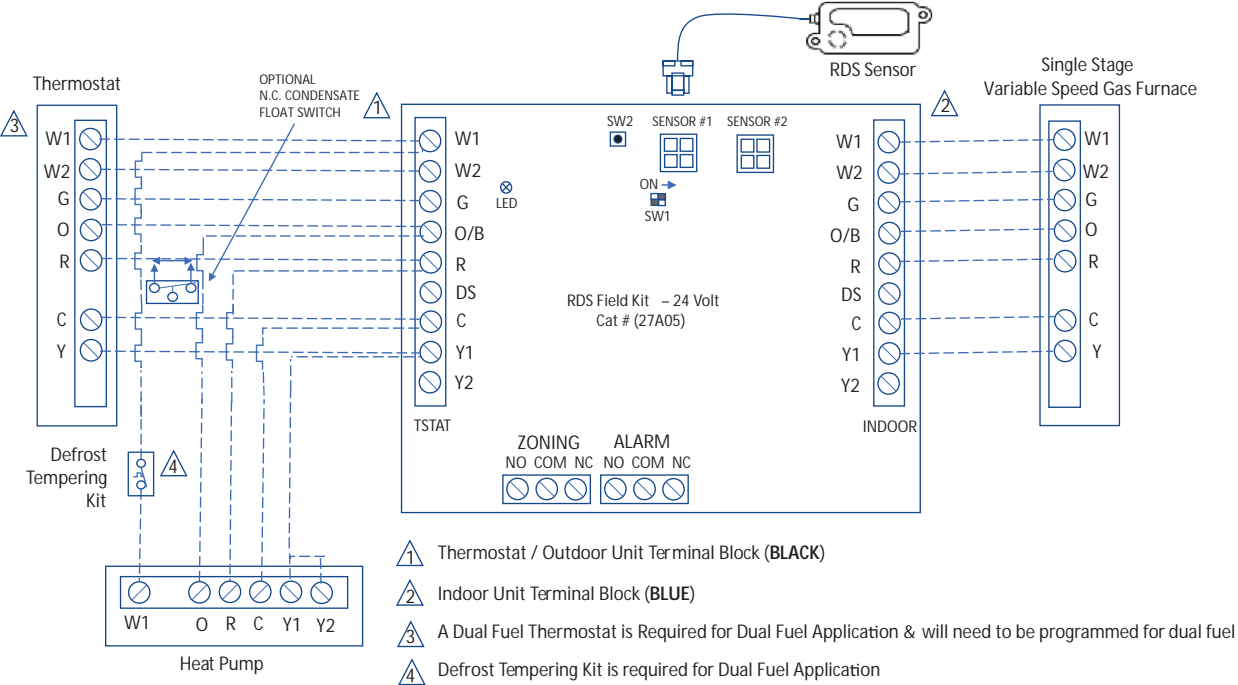
- CSA C22.2 No 60335-2-40:22, quatrième édition
- UL 60335-2-40, quatrième édition

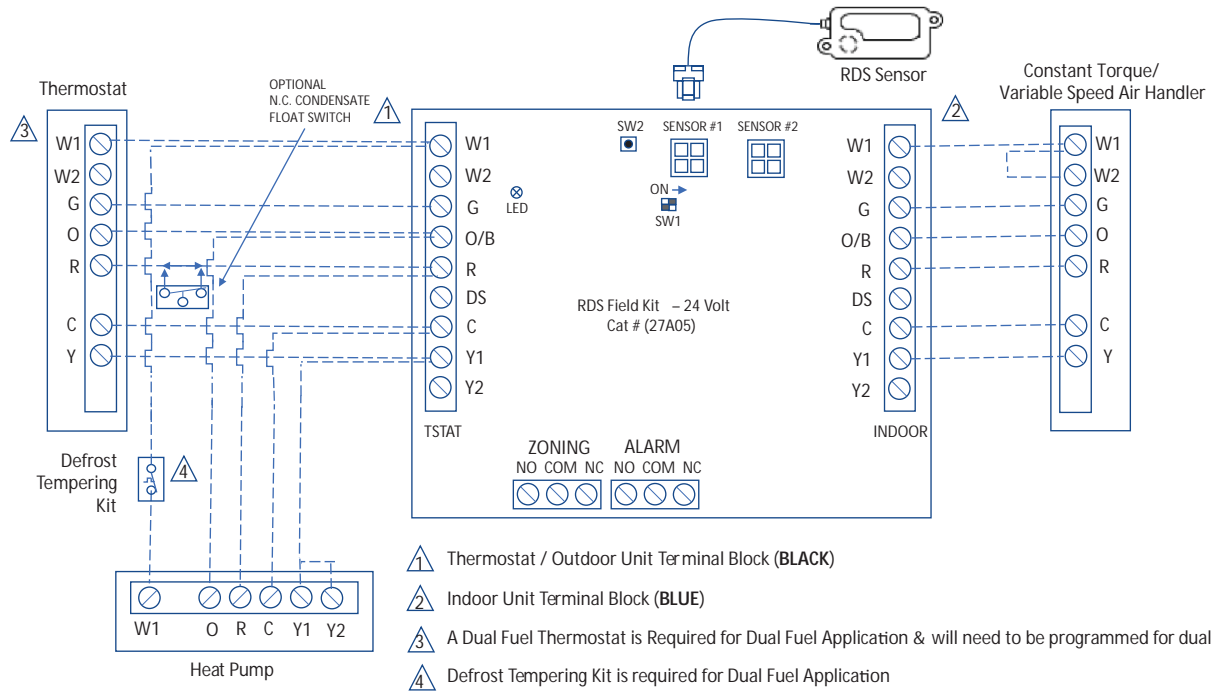
Bordereau d'expédition et d'emballage

| Qté | Description | N° Cat. |
|-----|--|---------|
| 1 | Système de détection de réfrigérant d'origine à faible PRC | 27A05 |
| 2 | Matériel de montage - Vis à tête cylindrique Phillips #6-18 1 po avec ancrage pour cloison sèche | N/A |

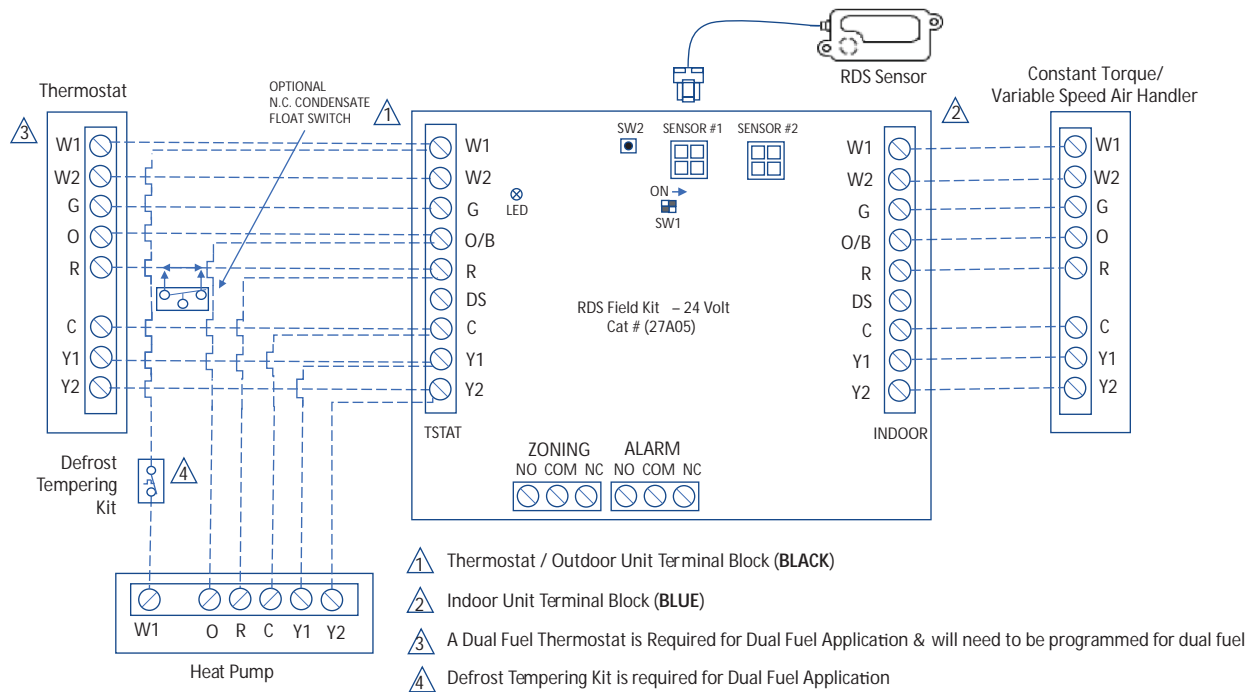
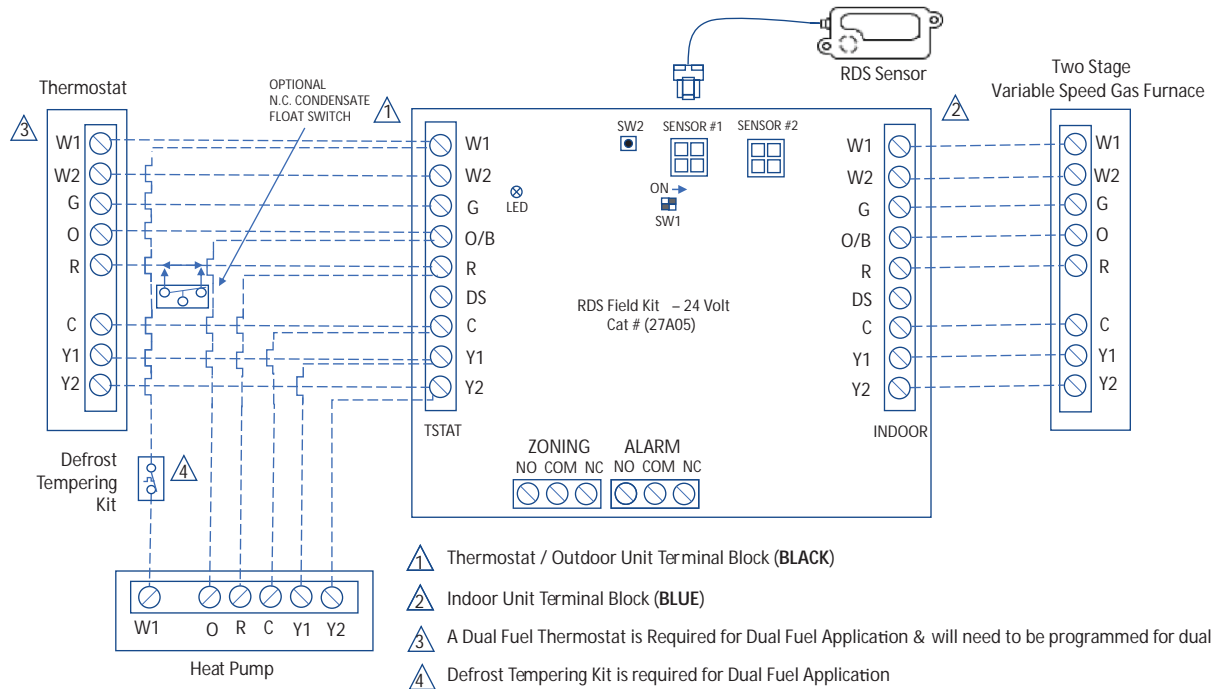
REMARQUE : Reportez-vous aux schémas de câblage SDR à un et deux étages pour la configuration correcte du système de détection de réfrigérant.

Schémas de câblage SDR pour thermopompe à un étage avec unité de traitement d'air





Schémas de câblage SDR pour thermopompe à deux étages avec générateur d'air chaud/unité de traitement d'air à deux étages



REMARQUE : Pour plus d'informations, reportez-vous au livret d'instructions d'installation du SDR.

Commande unitaire extérieure

Commutateurs DIP et bornes

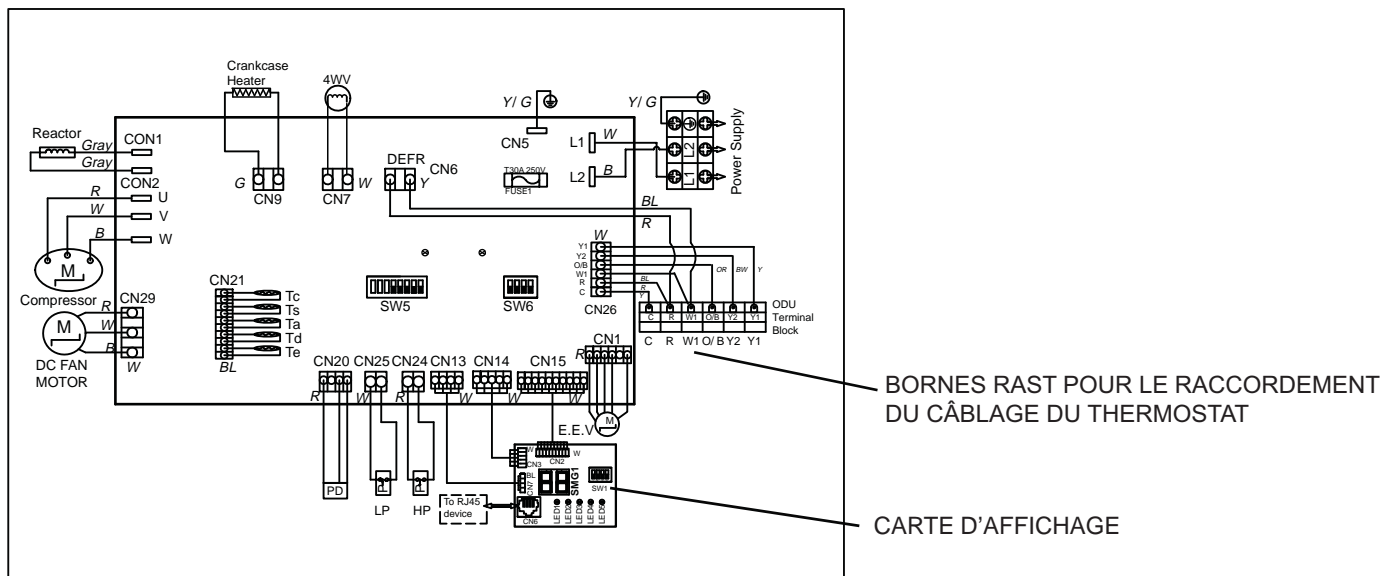


Figure 19. Schéma de câblage 18K/24K/30K/36K/42K/48K

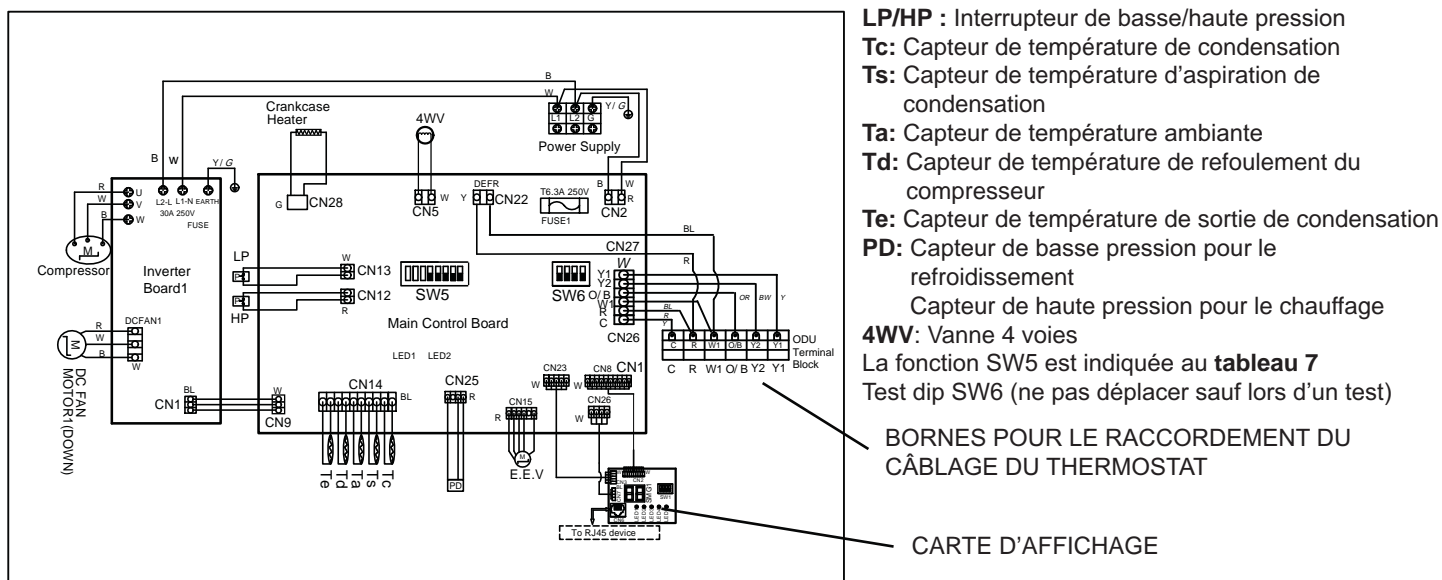


Figure 20. Schéma de câblage 60K

Carte d'affichage

Des étiquettes d'information concernant l'écran à 2 segments de la commande extérieure et les opérations des commutateurs DIP sont apposées sur le couvercle du panneau de commande de l'appareil.

Alarmes

Les informations d'alarme sont fournies sur le couvercle du panneau de commande de l'appareil.

Mode de charge avec commutateur DIP

Pour lancer la fonction de mode de charge du **NS15H**, installez le mode de charge en refroidissement et en chauffage qui peut être réglé via le commutateur DIP de la carte d'affichage.

Fonctionnement en mode charge avec un thermostat de thermopompe 24 VCA classique.

Chaîne d'affichage du mode de charge

Lorsque l'appareil est en mode de charge du refroidissement, l'écran à 2 segments affiche le sous-refroidissement actuel.

Commutateur DIP du mode de charge en refroidissement

La configuration du commutateur DIP SW1 sur la carte d'affichage est indiquée dans le **Tableau 9**. Une fois le système démarré, il doit être stabilisé pendant 10 minutes. Comparez la valeur de sous-refroidissement affichée au bout de 10 minutes avec la valeur de sous-refroidissement cible du **Tableau 10**.

Commutateur DIP du mode de charge en chauffage par thermopompe

Pour tester le degré de super-refroidissement en mode chauffage, un manomètre externe et un thermomètre doivent être connectés, et la pression et la température de mesure sont connectées comme indiqué dans la **Figure 21**. La température de saturation du réfrigérant est vérifiée par le **Tableau 11**, et le degré de super-refroidissement actuel est obtenu en utilisant la température mesurée par la température de saturation moins le thermomètre, et le degré de super-refroidissement cible est comparé à celui du **Tableau 10**.

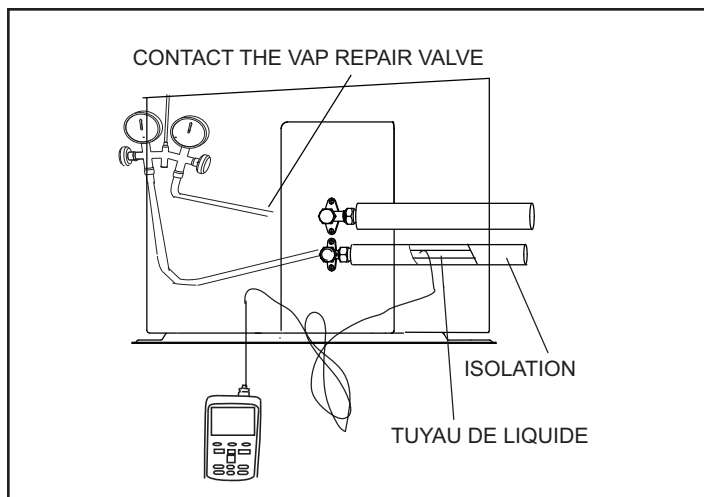


Figure 21.

| | | SW5 | | | | | |
|---|---|--------|-----------------------|-----------------------------|---|--------------------------------|---------------|
| SW5_1_2_3* | ODU | | [1] | [2] | [3] | Capacité de l'unité extérieure | |
| | | ON | ■ | | | 18K | |
| | | OFF | | ■ | ■ | 24K | |
| | | ON | | ■ | | 30K | |
| | | OFF | ■ | | ■ | 36K | |
| | | ON | ■ | ■ | | 42K | |
| | | OFF | | | ■ | 48K | |
| | | ON | | | ■ | 60K | |
| | | OFF | ■ | ■ | | | |
| | | ON | ■ | | ■ | | |
| | | OFF | | ■ | | | |
| | | ON | ■ | ■ | ■ | | |
| | | OFF | | | | | |
| | | SW5_4* | Mode de communication | ON | | | Commande 24 V |
| | | OFF | | | Ensemble d'unités intérieures à commande 24 V | | |
| SW5_5_6* | Test d'efficacité énergétique de la commande 24 V et utilisation réelle de la sélection interne de la machine | [5] | [6] | 24V control indoor unit set | | | |
| | | OFF | OFF | IDU 1 | Pour le test et l'utilisation de l'unité de traitement d'air | | |
| | | OFF | ON | IDU 2 | Pour le test et l'utilisation du serpentin et du générateur d'air chaud | | |
| | | ON | OFF | IDU 3 | Pour le test du serpentin A. | | |
| | | ON | ON | IDU 4 | Réservé | | |
| SW5_7 | Robinet de substitution de thermopompe à commande 24 V. | ON | | | Robinet de substitution de chauffage. Utilisez ce réglage si le chauffage de votre thermostat est « B ». | | |
| | | OFF | | | Robinet de substitution de refroidissement. Utilisez ce réglage si le refroidissement de votre thermostat est « O » | | |
| SW5_8* | Réservé | ON | | | Réservé | | |
| | | OFF | | | Réservé | | |
| * LAISSER LA CONFIGURATION PAR DÉFAUT D'USINE | | | | | | | |

Tableau 8. Commutateur DIP SW5 de la carte de commande

Tableau 9. Mode de diagnostic

| SW1 | | 1 | 2 | 3 | 4 | | | |
|-----------------------------------|--|-----------|-----------|-----------|---------------|--|---|--|
| | | Déshum. 1 | Déshum. 2 | Chauffage | Décongélation | Refroidissement | Chauffage | |
| MODE | ON | | | | | Refroidissement par défaut | Chauffage par défaut + dégivrage par défaut | |
| | OFF | ■ | ■ | ■ | ■ | | | |
| | ON | | | | ■ | Refroidissement par défaut | Chauffage par défaut + dégivrage fort | |
| | OFF | ■ | ■ | ■ | | | | |
| | ON | | | ■ | | Refroidissement par défaut | Chauffage confort ou débit d'air pleine charge <300 SCFM/tonne + dégivrage par défaut | |
| | OFF | ■ | ■ | | ■ | | | |
| | ON | | | ■ | ■ | Refroidissement par défaut | Chauffage de confort ou débit d'air pleine charge <300 SCFM/tonne + dégivrage fort | |
| | OFF | ■ | ■ | | | | | |
| | ON | ■ | | | ■ | Déshum. 1 ou débit d'air pleine charge <300 SCFM/tonne | Chauffage par défaut + dégivrage par défaut | |
| | OFF | | ■ | ■ | ■ | | | |
| | ON | ■ | | | ■ | Déshum. 1 ou débit d'air pleine charge <300 SCFM/tonne | Chauffage par défaut + dégivrage fort | |
| | OFF | | ■ | ■ | | | | |
| | ON | ■ | | ■ | | Déshum. 1 ou débit d'air pleine charge <300 SCFM/tonne | Chauffage confort ou débit d'air pleine charge <300 SCFM/tonne + dégivrage par défaut | |
| | OFF | | ■ | | ■ | | | |
| | ON | ■ | | ■ | ■ | Déshum. 1 ou débit d'air pleine charge <300 SCFM/tonne | Chauffage de confort ou débit d'air pleine charge <300 SCFM/tonne + dégivrage fort | |
| | OFF | | ■ | | | | | |
| | ON | | ■ | | ■ | Déshum. 2 ou débit d'air pleine charge <300 SCFM/tonne | Chauffage par défaut + dégivrage par défaut | |
| | OFF | ■ | | ■ | ■ | | | |
| | MODE CHARGE ET FORCÉ | ON | ■ | ■ | | | MODE TEST | |
| | | OFF | | | ■ | ■ | | |
| ON | | ■ | ■ | | ■ | MODE DIAGNOSTIC | | |
| OFF | | | | ■ | | | | |
| ON | | ■ | ■ | ■ | | MODE CHARGE POUR LE CHAUFFAGE | | |
| OFF | | | | | ■ | | | |
| ON | | ■ | ■ | ■ | ■ | MODE CHARGE POUR LE REFROIDISSEMENT | | |
| OFF | | | | | | | | |
| DESCRIPTION DE LA FONCTION | 1. Lorsque le mode dehum. 1 est activé, il réduit immédiatement la température d'évaporation cible de l'unité de 2 à 5 °F (1,1 à 2,8 °C); Lorsque le mode dehum. 2 est activé, il réduit immédiatement la température d'évaporation cible de l'unité de 5 à 7 °F (2,8 à 3,9 °C); Et réduit la température d'évaporation cible de 1,8 °F (1,0 °C) toutes les 30 minutes jusqu'à ce que la fréquence atteigne son maximum ou que la température d'évaporation cible atteigne sa valeur minimale. | | | | | | | |
| | 2. Lorsque le mode de chauffage confortable est activé, il augmente immédiatement la température de condensation cible de l'unité de 2 à 5 °F (1,1 à 2,8 °C). Il augmente ensuite la température de condensation cible de 1,8 °F (1,0 °C) toutes les 30 minutes jusqu'à ce que la fréquence atteigne son maximum ou que la température de condensation cible atteigne sa valeur maximale. | | | | | | | |
| | 3. SW1-4 effectue le dégivrage manuel du mode arrêt à marche (seul le mode chauffage est valide, les conditions de sortie se réfèrent au dégivrage normal, chaque commutateur DIP passant de OFF à ON ne permet l'entrée qu'une seule fois; pour entrer à nouveau, le commutateur DIP doit repasser de OFF à ON; après le dégivrage manuel, le commutateur DIP reste sur ON, ce qui active le mode de dégivrage intensif). | | | | | | | |
| | 4. Lorsque le mode de dégivrage intensif est activé, l'intervalle entre les dégivrages de l'unité sera plus court et la durée du dégivrage sera augmentée, ce qui convient aux zones à forte humidité. | | | | | | | |

| Unités intérieures correspondantes | Sous-refroidissement | | Charge suppl. lb/oz |
|------------------------------------|----------------------|---------------|------------------------|
| | Chauff. (±3 °F) | Refr. (±1 °F) | |
| 18K HP | | | |
| NAS18E1TB5* | 5 | 6 | 0 lb 6 oz |
| NAS24E1TB5* | 4 | 6 | 0 lb 9 oz |
| NAM18V1TA5* | 5 | 4 | 0 lb 6 oz |
| NAM24E1TA5* | 4 | 4 | 0 lb 9 oz |
| NAM24V1TA5* | 4 | 4 | 0 lb 9 oz |
| NAM24V2TA5* | 4 | 4 | 0 lb 11 oz |
| NCUC24AT5* | 4 | 4 | 0 lb 9 oz |
| NCUC24BT5* | 4 | 4 | 0 lb 9 oz |
| NCUC30AT5* | 3 | 5 | 0 lb 13 oz |
| NCUC30BT5* | 3 | 5 | 0 lb 13 oz |
| NCHC24AT5* | 5 | 3 | 0 lb 3 oz |
| NCHC24BT5* | 6 | 3 | 0 lb 0 oz |
| NCHC30AT5* | 5 | 3 | 0 lb 3 oz |
| NCHC30BT5* | 3 | 5 | 0 lb 13 oz |
| NCDC24AT5* | 5 | 4 | 0 lb 8 oz |
| NCDC24BT5* | 5 | 4 | 0 lb 8 oz |
| 30K HP | | | |
| NAS30E1TB5* | 4 | 7 | 1 lb 5 oz |
| NAS36E1TB5* | 5 | 5 | 1 lb 5 oz |
| NAM30E1TA5* | 4 | 7 | 1 lb 5 oz |
| NAM30V1TA5* | 4 | 7 | 1 lb 5 oz |
| NAM36E1TA5* | 5 | 5 | 1 lb 5 oz |
| NAM36V1TA5* | 5 | 5 | 1 lb 5 oz |
| NAM30V2TA5* | 7 | 7 | 1 lb 2 oz |
| NAM36V2TA5* | 7 | 7 | 1 lb 2 oz |
| NCUC30AT5* | 4 | 5 | 0 lb 14 oz |
| NCUC30BT5* | 4 | 5 | 0 lb 14 oz |
| NCUC36AT5* | 5 | 5 | 1 lb 5 oz |
| NCUC36BT5* | 5 | 5 | 1 lb 5 oz |
| NCHC30AT5* | 4 | 3 | 0 lb 3 oz |
| NCHC30BT5* | 5 | 5 | 1 lb 5 oz |
| NCHC36AT5* | 4 | 3 | 0 lb 5 oz |
| NCHC36BT5* | 4 | 3 | 0 lb 0 oz |
| NCHC36CT5* | 8 | 4 | 0 lb 8 oz |
| NCDC24AT5* | 10 | 4 | 0 lb 8 oz |
| NCDC36BT5* | 10 | 5 | 0 lb 13 oz |
| NCDC42BT5* | 7 | 7 | 1 lb 6 oz |

| Unités intérieures correspondantes | Sous-refroidissement | | Charge suppl. lb/oz |
|------------------------------------|----------------------|---------------|------------------------|
| | Chauff. (±3 °F) | Refr. (±1 °F) | |
| 24K HP | | | |
| NAS24E1TB5* | 6 | 7 | 1 lb 0 oz |
| NAS30E1TB5* | 5 | 8 | 1 lb 4 oz |
| NAM24E1TA5* | 6 | 7 | 1 lb 0 oz |
| NAM24V1TA5* | 6 | 7 | 1 lb 0 oz |
| NAM30E1TA5* | 5 | 8 | 1 lb 4 oz |
| NAM30V1TA5* | 5 | 8 | 1 lb 4 oz |
| NAM24V2TA5* | 6 | 7 | 1 lb 1 oz |
| NAM30V2TA5* | 5 | 9 | 1 lb 6 oz |
| NCUC24AT5* | 6 | 7 | 1 lb 0 oz |
| NCUC24BT5* | 6 | 7 | 1 lb 0 oz |
| NCUC30AT5* | 5 | 8 | 1 lb 4 oz |
| NCUC30BT5* | 5 | 8 | 1 lb 4 oz |
| NCUC36AT5* | 4 | 9 | 1 lb 7 oz |
| NCUC36BT5* | 4 | 9 | 1 lb 7 oz |
| NCHC18AT5* | 7 | 6 | 0 lb 0 oz |
| NCHC24AT5* | 6 | 7 | 0 lb 10 oz |
| NCHC24BT5* | 7 | 7 | 0 lb 7 oz |
| NCHC30AT5* | 6 | 7 | 0 lb 10 oz |
| NCHC30BT5* | 7 | 9 | 1 lb 6 oz |
| NCDC24AT5* | 6 | 7 | 0 lb 14 oz |
| NCDC24BT5* | 6 | 7 | 0 lb 14 oz |
| 36K HP | | | |
| NAS36E1TB5* | 4 | 5 | 1 lb 5 oz |
| NAS42E1TB5* | 4 | 5 | 1 lb 5 oz |
| NAM36E1TA5* | 4 | 5 | 1 lb 5 oz |
| NAM36V1TA5* | 4 | 5 | 1 lb 5 oz |
| NAM42E1TA5* | 4 | 5 | 1 lb 5 oz |
| NAM42V1TA5* | 4 | 5 | 1 lb 5 oz |
| NAM36V2TA5* | 5 | 4 | 1 lb 2 oz |
| NAM42V2TA5* | 3 | 5 | 2 lb 0 oz |
| NCUC30AT5* | 5 | 4 | 0 lb 14 oz |
| NCUC30BT5* | 5 | 4 | 0 lb 14 oz |
| NCUC36AT5* | 4 | 6 | 1 lb 5 oz |
| NCUC36BT5* | 4 | 6 | 1 lb 5 oz |
| NCUC37CT5* | 4 | 6 | 1 lb 5 oz |
| NCHC36AT5* | 6 | 4 | 0 lb 5 oz |
| NCHC36BT5* | 6 | 3 | 0 lb 0 oz |
| NCHC36CT5* | 6 | 4 | 0 lb 8 oz |
| NCDC36BT5* | 4 | 4 | 0 lb 13 oz |
| NCDC36CT5* | 4 | 4 | 0 lb 13 oz |
| NCDC42BT5* | 3 | 6 | 1 lb 6 oz |
| NCDC48CT5* | 3 | 7 | 1 lb 11 oz |

Tableau 10. Unités intérieures correspondantes et niveaux de charge de sous-refroidissement (système à détendeur thermostatique) et charge supplémentaire (jeu de tuyaux de 15 pieds)

REMARQUE : Veuillez consulter le site GEAppliancesAirandWater.com pour obtenir les dernières données techniques de correspondance répertoriées par l'AHRI.

| Unités intérieures correspondantes | Sous-refroidissement | | Charge suppl. lb/oz |
|------------------------------------|----------------------|---------------|------------------------|
| | Chauff. (±3 °F) | Refr. (±1 °F) | |
| 42K HP | | | |
| NAS42E1TB5* | 4 | 4 | 0 lb 0 oz |
| NAS48E1TB5* | 4 | 5 | 0 lb 6 oz |
| NAM42E1TA5* | 4 | 4 | 0 lb 0 oz |
| NAM42V1TA5* | 4 | 4 | 0 lb 0 oz |
| NAM48E1TA5* | 5 | 5 | 0 lb 6 oz |
| NAM48V1TA5* | 5 | 5 | 0 lb 6 oz |
| NAM42V2TA5* | 5 | 4 | 1 lb 6 oz |
| NAM48V2TA5* | 5 | 4 | 1 lb 6 oz |
| NCUC48BT5* | 6 | 5 | 0 lb 6 oz |
| NCUC48CT5* | 6 | 5 | 0 lb 6 oz |
| NCUC49CT5* | 5 | 5 | 0 lb 11 oz |
| NCHC42BT5* | 4 | 5 | 1 lb 8 oz |
| NCHC42CT5* | 3 | 3 | 0 lb 2 oz |
| NCHC48BT5* | 3 | 3 | 0 lb 1 oz |
| NCHC48CT5* | 4 | 3 | 0 lb 2 oz |
| NCDC42BT5* | 3 | 3 | 0 lb 2 oz |
| NCDC48CT5* | 3 | 5 | 0 lb 7 oz |

| Unités intérieures correspondantes | Sous-refroidissement | | Charge suppl. lb/oz |
|------------------------------------|----------------------|---------------|------------------------|
| | Chauff. (±3 °F) | Refr. (±1 °F) | |
| 48K HP | | | |
| NAS48E1TB5* | 4 | 11 | 0 lb 4 oz |
| NAS60E1TB5* | 4 | 11 | 0 lb 13 oz |
| NAM48E1TA5* | 5 | 11 | 0 lb 4 oz |
| NAM60E1TA5* | 5 | 11 | 0 lb 13 oz |
| NAM48V1TA5* | 5 | 11 | 0 lb 4 oz |
| NAM60V1TA5* | 5 | 11 | 0 lb 13 oz |
| NAM48V2TA5* | 5 | 11 | 0 lb 14 oz |
| NAM60V2TA5* | 5 | 11 | 1 lb 8 oz |
| NCUC48BT5* | 6 | 9 | 0 lb 4 oz |
| NCUC48CT5* | 6 | 9 | 0 lb 4 oz |
| NCUC49CT5* | 5 | 9 | 0 lb 8 oz |
| NCUC5060CT5* | 5 | 9 | 0 lb 4 oz |
| NCHC42BT5* | 6 | 8 | 1 lb 2 oz |
| NCHC42CT5* | 6 | 11 | 0 lb 0 oz |
| NCHC48BT5* | 6 | 11 | 0 lb 0 oz |
| NCHC48CT5* | 6 | 11 | 0 lb 0 oz |
| NCHC60CT5* | 9 | 11 | 0 lb 14 oz |
| NCHC60DT5* | 4 | 9 | 1 lb 5 oz |
| NCDC42BT5* | 6 | 9 | 0 lb 0 oz |
| NCDC48CT5* | 7 | 9 | 0 lb 6 oz |
| NCDC60CT5* | 7 | 9 | 0 lb 11 oz |
| 60K HP | | | |
| NAS60E1TB5* | 5 | 3 | 0 lb 10 oz |
| NAM60E1TA5* | 5 | 3 | 0 lb 10 oz |
| NAM60V1TA5* | 5 | 3 | 0 lb 10 oz |
| NAM60V2TA5* | 5 | 3 | 1 lb 7 oz |
| NCUC5060CT5* | 5 | 3 | 0 lb 0 oz |
| NCUC60CT5* | 5 | 3 | 0 lb 10 oz |
| NCUC60DT5* | 5 | 3 | 0 lb 5 oz |
| NCHC60CT5* | 5 | 3 | 1 lb 3 oz |
| NCHC60DT5* | 5 | 3 | 1 lb 3 oz |
| NCDC60CT5* | 5 | 3 | 0 lb 8 oz |
| NCDC60DT5* | 5 | 3 | 0 lb 8 oz |

Table 10 Cont. - Unités intérieures correspondantes et niveaux de charge de sous-refroidissement (système à détendeur thermostatique) et charge supplémentaire (jeu de tuyaux de 15 pieds)

REMARQUE : Veuillez consulter le site GEAppliancesAirandWater.com pour obtenir les dernières données techniques de correspondance répertoriées par l'AHRI.

Diagnostic Mode Check Table

1. When the diagnostic mode is activated, the inspection sequence number and the inspection content will be displayed in sequence, such as 00 24 02 Co 15 13 18 --. The content will be displayed in the sequence described by table 3. The display will show the sequence number for 1 second. Then it will display the content value for 1 second. Then it will display the content value for 1 second.
2. After the unit has cycled through all content and content values, it will return to normal display.

| NO. | Point | Contenu de vérification | Exemple | Remarque |
|-----|-------|--|---------|--|
| 0 | | Unité extérieure Capacité | 24 | Modèle |
| 1 | | Unité extérieure Mode | Co | Refroidissement : Co, Chauffage : He, État de maintien : oF, Mode retour d'huile : ol, Dégivrage : dE |
| 2 | | Vitesse du compresseur | 56 | Unités : Hz |
| 3 | | Palier de vitesse du ventilateur extérieur | 6 | Le palier de vitesse actuel du ventilateur est à 6. |
| 4 | | Ouv. de la VEE | 26 | Valeur réelle/10 (arrondi) |
| 5 | | Température de réfrigérant cible | 48 | Refroidissement : ETS, Chauffage : CTS, Unités : °F (°C) |
| 6 | | Température de réfrigérant actuelle | 48 | Refroidissement : ETS, Chauffage : CTS, Unités : °F (°C) |
| 7 | | Tao | 95 | Unités : °F (°C) |
| 8 | | TC | 115 | Unités : °F (°C) |
| 9 | | Te | 109 | Unités : °F (°C) |
| 10 | | Ts | 65 | Unités : °F (°C) |
| 11 | | Td | 156 | Unités : °F (°C) |
| 12 | | Courant d'entrée du compresseur | 10 | Unités : A |
| 13 | | Temp. du module | 65 | Unités : °F (°C) |
| 14 | | Version logicielle | 30 | Signifie : la version logicielle est 3,0 |
| 15 | | Version E2 | 12 | Signifie : la version du paramètre E2 est 1,2 |
| 16 | | ER | ER | Si « ER » s'affiche, cela indique un dysfonctionnement. Si aucun dysfonctionnement, rien ne s'affiche et cette étape est sautée. |
| 17 | | Code de panne actuel | 12 | Si 16 indique « ER », affichez le code de panne actuel ; sinon, sautez sans rien afficher. |
| 18 | | -- | -- | Marque de fin |

1. Lorsque le nombre dépasse 100, il est représenté par des lettres. A1 signifie 101, B1 représente 111 et C1 indique 121.
2. Ajoutez un point après la valeur négative, par exemple : 01. signifie -1 °F (-18 °C).

Tableau 11. HFC-454B, température (°F) pression (psig)

| Pression (psig) | Temp du liquide saturé (°F) | Temp de la vapeur saturée (°F) | Pression (psig) | Temp du liquide saturé (°F) | Temp de la vapeur saturée (°F) | Pression (psig) | Temp du liquide saturé (°F) | Temp de la vapeur saturée (°F) | Pression (psig) | Temp du liquide saturé (°F) | Temp de la vapeur saturée (°F) |
|-----------------|-----------------------------|--------------------------------|-----------------|-----------------------------|--------------------------------|-----------------|-----------------------------|--------------------------------|-----------------|-----------------------------|--------------------------------|
| 0 | -58.9 | -57.1 | 158 | 58.9 | 61.3 | 272 | 93.0 | 95.4 | 362 | 113.3 | 115.6 |
| 25 | -19.2 | -17.2 | 160 | 59.6 | 62.0 | 274 | 93.5 | 95.9 | 364 | 113.8 | 116.0 |
| 30 | -13.9 | -11.8 | 165 | 61.4 | 63.8 | 276 | 94.0 | 96.4 | 366 | 114.2 | 116.4 |
| 35 | -9.0 | -6.9 | 170 | 63.1 | 65.5 | 278 | 94.5 | 96.9 | 368 | 114.6 | 116.8 |
| 40 | -4.4 | -2.3 | 175 | 64.9 | 67.3 | 280 | 95.0 | 97.4 | 370 | 115.0 | 117.2 |
| 45 | -0.2 | 1.9 | 180 | 66.6 | 69.0 | 282 | 95.5 | 97.9 | 372 | 115.4 | 117.6 |
| 50 | 3.7 | 5.9 | 185 | 68.2 | 70.6 | 284 | 96.0 | 98.4 | 374 | 115.8 | 118.0 |
| 55 | 7.5 | 9.7 | 190 | 69.8 | 72.2 | 286 | 96.5 | 98.8 | 376 | 116.2 | 118.4 |
| 60 | 11.0 | 13.2 | 195 | 71.4 | 73.8 | 288 | 97.0 | 99.3 | 378 | 116.6 | 118.8 |
| 65 | 14.4 | 16.6 | 200 | 73.0 | 75.4 | 290 | 97.5 | 99.8 | 380 | 117.0 | 119.2 |
| 70 | 17.6 | 19.8 | 202 | 73.6 | 76.0 | 292 | 97.9 | 100.3 | 382 | 117.4 | 119.5 |
| 75 | 20.6 | 22.9 | 204 | 74.2 | 76.6 | 294 | 98.4 | 100.7 | 384 | 117.7 | 119.9 |
| 80 | 23.6 | 25.9 | 206 | 74.9 | 77.3 | 296 | 98.9 | 101.2 | 386 | 118.1 | 120.3 |
| 85 | 26.4 | 28.7 | 208 | 75.5 | 77.9 | 298 | 99.4 | 101.7 | 388 | 118.5 | 120.7 |
| 90 | 29.1 | 31.4 | 210 | 76.1 | 78.5 | 300 | 99.8 | 102.1 | 390 | 118.9 | 121.1 |
| 95 | 31.7 | 34.0 | 212 | 76.7 | 79.1 | 302 | 100.3 | 102.6 | 392 | 119.3 | 121.5 |
| 100 | 34.3 | 36.6 | 214 | 77.3 | 79.7 | 304 | 100.7 | 103.1 | 394 | 119.7 | 121.9 |
| 102 | 35.3 | 37.6 | 216 | 77.9 | 80.2 | 306 | 101.2 | 103.5 | 396 | 120.1 | 122.2 |
| 104 | 36.2 | 38.6 | 218 | 78.4 | 80.8 | 308 | 101.7 | 104.0 | 398 | 120.4 | 122.6 |
| 106 | 37.2 | 39.5 | 220 | 79.0 | 81.4 | 310 | 102.1 | 104.4 | 400 | 120.8 | 123.0 |
| 108 | 38.1 | 40.5 | 222 | 79.6 | 82.0 | 312 | 102.6 | 104.9 | 405 | 121.8 | 123.9 |
| 110 | 39.1 | 41.4 | 224 | 80.2 | 82.6 | 314 | 103.0 | 105.3 | 410 | 122.7 | 124.8 |
| 112 | 40.0 | 42.4 | 226 | 80.8 | 83.1 | 316 | 103.5 | 105.8 | 415 | 123.6 | 125.8 |
| 114 | 40.9 | 43.3 | 228 | 81.3 | 83.7 | 318 | 103.9 | 106.2 | 420 | 124.6 | 126.7 |
| 116 | 41.8 | 44.2 | 230 | 81.9 | 84.3 | 320 | 104.4 | 106.7 | 425 | 125.5 | 127.6 |
| 118 | 42.7 | 45.1 | 232 | 82.5 | 84.8 | 322 | 104.8 | 107.1 | 430 | 126.4 | 128.5 |
| 120 | 43.6 | 46.0 | 234 | 83.0 | 85.4 | 324 | 105.3 | 107.6 | 435 | 127.3 | 129.3 |
| 122 | 44.5 | 46.9 | 236 | 83.6 | 86.0 | 326 | 105.7 | 108.0 | 440 | 128.2 | 130.2 |
| 124 | 45.4 | 47.7 | 238 | 84.1 | 86.5 | 328 | 106.2 | 108.4 | 445 | 129.0 | 131.1 |
| 126 | 46.2 | 48.6 | 240 | 84.7 | 87.1 | 330 | 106.6 | 108.9 | 450 | 129.9 | 132.0 |
| 128 | 47.1 | 49.4 | 242 | 85.2 | 87.6 | 332 | 107.0 | 109.3 | 460 | 131.6 | 133.7 |
| 130 | 47.9 | 50.3 | 244 | 85.8 | 88.1 | 334 | 107.5 | 109.7 | 470 | 133.3 | 135.3 |
| 132 | 48.8 | 51.1 | 246 | 86.3 | 88.7 | 336 | 107.9 | 110.2 | 480 | 135.0 | 137.0 |
| 134 | 49.6 | 51.9 | 248 | 86.8 | 89.2 | 338 | 108.3 | 110.6 | 490 | 136.7 | 138.6 |
| 136 | 50.4 | 52.8 | 250 | 87.4 | 89.7 | 340 | 108.8 | 111.0 | 500 | 138.3 | 140.2 |
| 138 | 51.2 | 53.6 | 252 | 87.9 | 90.3 | 342 | 109.2 | 111.4 | 510 | 139.9 | 141.7 |
| 140 | 52.0 | 54.4 | 254 | 88.4 | 90.8 | 344 | 109.6 | 111.9 | 520 | 141.5 | 143.3 |
| 142 | 52.8 | 55.2 | 256 | 88.9 | 91.3 | 346 | 110.0 | 112.3 | 530 | 143.0 | 144.8 |
| 144 | 53.6 | 56.0 | 258 | 89.5 | 91.8 | 348 | 110.4 | 112.7 | 540 | 144.5 | 146.3 |
| 146 | 54.3 | 56.7 | 260 | 90.0 | 92.4 | 350 | 110.9 | 113.1 | 550 | 146.1 | 147.8 |
| 148 | 55.1 | 57.5 | 262 | 90.5 | 92.9 | 352 | 111.3 | 113.5 | 560 | 147.5 | 149.2 |
| 150 | 55.9 | 58.3 | 264 | 91.0 | 93.4 | 354 | 111.7 | 113.9 | 570 | 149.0 | 150.7 |
| 152 | 56.6 | 59.0 | 266 | 91.5 | 93.9 | 356 | 112.1 | 114.4 | 580 | 150.5 | 152.1 |
| 154 | 57.4 | 59.8 | 268 | 92.0 | 94.4 | 358 | 112.5 | 114.8 | 590 | 151.9 | 153.5 |
| 156 | 58.1 | 60.5 | 270 | 92.5 | 94.9 | 360 | 112.9 | 115.2 | 600 | 153.3 | 154.8 |

Remarque

1. Le R454B est un mélange zéotropique et doit être chargé uniquement avec du réfrigérant à l'état liquide.
2. La température de liquide saturé est utilisée pour calculer le sous-refroidissement du liquide.
3. La température de vapeur saturée est utilisée pour calculer la surchauffe à l'aspiration.
4. Consultez l'étiquette de charge de l'unité pour les valeurs de sous-refroidissement et des renseignements supplémentaires sur la charge.

Pressions de fonctionnement et de température (toutes versions)

De légères variations de ces pressions peuvent être observées en raison des différences d'installation. Des écarts importants pourraient indiquer que le système n'est pas correctement chargé ou qu'un problème existe avec un composant du système.

Tableau 12. Pression de fonctionnement du mode de charge – Liquide ±10 et vapeur ±5 psig

| °F (°C) | 18K | | | 24K | | | 30k | | | 36k | | |
|--------------------------|------------|------------|-----------|------------|------------|-----------|------------|------------|-----------|------------|------------|-----------|
| | Liq. (psi) | Vap. (psi) | SCFM U.I. | Liq. (psi) | Vap. (psi) | SCFM U.I. | Liq. (psi) | Vap. (psi) | SCFM U.I. | Liq. (psi) | Vap. (psi) | SCFM U.I. |
| Heating Operation | | | | | | | | | | | | |
| 20(-7) | 248 | 61 | 600 | 248 | 61 | 800 | 243 | 63 | 940 | 243 | 63 | 1080 |
| 30(-1) | 259 | 74 | | 259 | 74 | | 261 | 76 | | 261 | 76 | |
| 35(2) | 268 | 83 | | 268 | 83 | | 365 | 82 | | 365 | 82 | |
| 40(4) | 274 | 86 | | 274 | 86 | | 271 | 91 | | 271 | 91 | |
| 50(10) | 290 | 105 | | 290 | 105 | | 286 | 110 | | 286 | 110 | |
| 60(16) | 308 | 120 | | 308 | 120 | | 300 | 124 | | 300 | 124 | |
| Cooling Operation | | | | | | | | | | | | |
| 65(18) | 202 | 141 | 600 | 202 | 137 | 800 | 224 | 133 | 940 | 224 | 133 | 1080 |
| 70(21) | 221 | 141 | | 221 | 137 | | 244 | 133 | | 244 | 133 | |
| 75(24) | 240 | 142 | | 240 | 138 | | 265 | 134 | | 265 | 134 | |
| 80(27) | 261 | 143 | | 261 | 139 | | 286 | 135 | | 286 | 135 | |
| 85(29) | 275 | 142 | | 275 | 138 | | 306 | 134 | | 306 | 134 | |
| 90(32) | 298 | 144 | | 298 | 140 | | 324 | 136 | | 324 | 136 | |
| 95(35) | 322 | 146 | | 322 | 142 | | 351 | 138 | | 351 | 138 | |
| 100(38) | 349 | 148 | | 349 | 144 | | 375 | 140 | | 375 | 140 | |
| 105(41) | 374 | 149 | | 374 | 145 | | 402 | 141 | | 402 | 141 | |
| 110(43) | 394 | 150 | | 394 | 146 | | 420 | 142 | | 420 | 142 | |
| 115(46) | 420 | 151 | | 420 | 147 | | 449 | 143 | | 449 | 143 | |
| Heating Operation | | | | | | | | | | | | |
| 20(-7) | 248 | 61 | 1200 | 248 | 61 | 1600 | 254 | 59 | 1900 | | | |
| 30(-1) | 259 | 74 | | 259 | 74 | | 268 | 73 | | | | |
| 35(2) | 268 | 83 | | 268 | 83 | | 274 | 79 | | | | |
| 40(4) | 274 | 86 | | 274 | 86 | | 278 | 85 | | | | |
| 50(10) | 290 | 105 | | 290 | 105 | | 291 | 98 | | | | |
| 60(16) | 308 | 120 | | 308 | 120 | | 299 | 107 | | | | |
| Cooling Operation | | | | | | | | | | | | |
| 65(18) | 202 | 134 | 1200 | 202 | 130 | 1600 | 199 | 126 | 1900 | | | |
| 70(21) | 221 | 135 | | 221 | 131 | | 215 | 127 | | | | |
| 75(24) | 240 | 137 | | 240 | 133 | | 234 | 129 | | | | |
| 80(27) | 261 | 140 | | 261 | 136 | | 254 | 132 | | | | |
| 85(29) | 275 | 141 | | 275 | 137 | | 267 | 133 | | | | |
| 90(32) | 298 | 143 | | 298 | 139 | | 289 | 135 | | | | |
| 95(35) | 322 | 145 | | 322 | 141 | | 312 | 137 | | | | |
| 100(38) | 349 | 146 | | 349 | 142 | | 336 | 138 | | | | |
| 105(41) | 374 | 147 | | 374 | 143 | | 362 | 139 | | | | |
| 110(43) | 394 | 149 | | 394 | 145 | | 379 | 141 | | | | |
| 115(46) | 420 | 150 | | 420 | 146 | | 408 | 142 | | | | |

Fonctionnement de l'appareil

Fonctionnement du modèle NS15H avec un thermostat 24 VCA à 2 étages classique

Lorsque le modèle **NS15H** est installé avec un thermostat 24 VCA classique à 2 étages, une demande de chauffage ou de refroidissement de premier étage Y1 déclenche le fonctionnement du chauffage ou du refroidissement et le fonctionnement de la soufflante intérieure de premier étage. Le compresseur est commandé en mode à capacité variable en faisant varier la capacité du compresseur pour obtenir le point de consigne de la pression d'aspiration cible. La demande de chauffage ou de refroidissement de deuxième étage Y2 lance le fonctionnement de deuxième étage de la soufflante. Une augmentation du volume d'air augmentera la charge sur le serpentin intérieur et augmentera la pression d'aspiration. La capacité du compresseur du **NS15H** continuera d'être contrôlée en fonction de la pression d'aspiration. La capacité de l'appareil sera contrôlée en mode de capacité variable sur toute la plage de capacité allant de la capacité minimale à la capacité maximale. Si la demande Y2 persiste après 30 minutes, le contrôle **NS15H** commencera à ajuster la température cible du réfrigérant (évaporation pour le refroidissement et condensation pour le chauffage) afin de permettre au compresseur d'atteindre sa vitesse maximale. La valeur minimale pour ETS peut être aussi basse que 36 °F (2,22 °C), et la valeur maximale pour CTS peut atteindre jusqu'à 131 °F (55 °C).

Le **NS15H** s'éteint une fois que la demande du thermostat est satisfaite.

REMARQUE : L'appareil chronométrera les 30 premières minutes lors d'une coupure et remise sous tension, et ces 30 minutes ne seront pas incluses dans le minuteur de 30 minutes pour Y2 actif.

Fonctionnement de l'appareil avec un thermostat 24 VCA à un étage classique

Lorsque l'appareil est installé avec un thermostat 24 VCA à un étage classique, le signal Y du thermostat à un étage doit être connecté.

Le compresseur est commandé en mode à capacité variable en faisant varier la capacité du compresseur pour obtenir le point de consigne de la pression d'aspiration cible.

Si la demande de chauffage ou de refroidissement persiste après 30 minutes, le contrôle **NS15H** commencera à ajuster la température cible du réfrigérant (évaporation pour le refroidissement et condensation pour le chauffage) afin de permettre au compresseur d'atteindre sa vitesse maximale. La valeur minimale pour ETS peut être aussi basse que 2,22 °C (36 °F), et la valeur maximale pour CTS peut atteindre jusqu'à 55 °C (131 °F).

Le **NS15H** s'éteint une fois que la demande du thermostat est satisfaite.

REMARQUE : L'appareil chronométrera les 30 premières minutes lors d'une coupure et remise sous tension, et ces 30 minutes ne seront pas incluses dans le minuteur de 30 minutes pour Y2 actif.

Mise en service

ATTENTION

Si l'appareil est équipé d'un chauffe-carter, ce dernier doit être excité 24 heures avant le démarrage de l'appareil pour éviter d'endommager le compresseur à la suite d'un coup de liquide.

1. Faites tourner le ventilateur pour vérifier l'absence de blocage ou de grippage des roulements.
2. Inspectez tous les câblages installés en usine et sur le site en recherchant des connexions desserrées.
3. Une fois l'évacuation terminée, ouvrez les robinets de service des tuyaux de liquide et d'aspiration pour libérer la charge de réfrigérant (contenue dans l'unité extérieure) dans le système.
4. Remettez les capuchons de tige en place et serrez-les à la main, puis serrez-les de 1/6 de tour supplémentaire.
5. Vérifiez la tension de l'alimentation au niveau du sectionneur. La tension doit se situer dans la plage indiquée sur la plaque signalétique de l'appareil. Si ce n'est pas le cas, ne démarrez pas l'équipement tant que la compagnie d'électricité n'a pas été consultée et que la condition de la tension n'a pas été corrigée.
6. Réglez le thermostat sur la demande de refroidissement, mettez la soufflante intérieure sous tension et fermez le sectionneur de l'unité extérieure pour démarrer l'appareil.
7. Vérifiez de nouveau la tension de l'appareil en marche. L'alimentation doit être conforme à la plage indiquée sur la plaque signalétique de l'appareil.

Chargement du réfrigérant

ATTENTION

Des quantités excessives de réfrigérant liquide pénétrant dans le tuyau d'aspiration peuvent endommager le compresseur. Lors de l'ajout de réfrigérant, des précautions doivent être prises pour contrôler le flux de liquide dans le système. Cela peut être fait en utilisant un adaptateur de vaporisation de liquide ou une commande manuelle utilisant un voyant comme indicateur.

Les appareils sont chargés en usine avec la quantité de réfrigérant R-454B indiquée sur la plaque signalétique de l'appareil. Cette charge est basée sur un serpentin intérieur et un serpentin extérieur assortis, avec un jeu de tuyaux frigorigènes de 15 pi. Pour connaître les différentes longueurs de jeu de tuyaux, reportez-vous au **Tableau 13** pour le réglage de la charge de réfrigérant.

Tableau 13. Réglage de la charge de réfrigérant

| Diamètre du jeu de tuyaux de liquide | Refrig. Charge Adjustment from 15ft (4.57 m) line set* |
|---|--|
| 3/8 po | 2,75 oz. par 5 pieds Ou 0,55 oz. par 1 pied Ou 51,15 g par 1 m |
| * Si la longueur de la conduite est supérieure à 15 pi (4,57 m), ajoutez cette quantité. Si la longueur de la conduite est inférieure à 15 pi (4,57 m), retirez cette quantité. | |

▲ IMPORTANT

Les huiles minérales ne sont pas compatibles avec le R-454B. Si de l'huile doit être ajoutée, il doit s'agir d'une huile d'ester à base de polyol.

REMARQUE : Le débit d'air et la charge de réfrigérant doivent être surveillés pour vérifier la configuration correcte du système. Il peut être nécessaire de vérifier et de régler alternativement le débit d'air et la charge de réfrigérant.

Si le système ne contient pas de réfrigérant ou si la température ambiante extérieure est froide, utilisez la méthode de pesée pour charger l'appareil. Procédez de la sorte après avoir réparé les fuites éventuelles.

1. Récupérez le réfrigérant de l'appareil.
2. Effectuez une vérification de fuites, puis évacuez comme indiqué précédemment.
3. Pesez la charge en fonction de la quantité totale indiquée sur la plaque signalétique de l'appareil.

Si les installations de pesage ne sont pas disponibles ou si l'appareil est chargé par temps chaud, utilisez l'une des procédures suivantes.

- **Pour les systèmes utilisant un détendeur thermostatique sur l'évaporateur intérieur et sous une température extérieure supérieure à 60°F (15.5°C)**, chargez en mode sous-refroidissement en utilisant la méthode de sous-refroidissement et le tableau fournis sur le panneau d'accès de l'appareil.
- **Pour les systèmes en dessous de 60°F (15.5°C)**, chargez en mode chauffage en utilisant la méthode de sous-refroidissement et le tableau fournis sur le panneau d'accès de l'appareil. Fixez le flexible du manomètre basse pression à l'orifice de service auxiliaire pour accéder au côté aspiration en mode chauffage.

REMARQUE: Toutes les valeurs du tableau sont basées sur une température d'air de reprise intérieur de 70 à 80°F (21.1 à 26.7°C) pour le mode refroidissement et sur une température d'air de reprise de 65 à 75°F (18.3 à 23.9°C) pour le mode chauffage

Pressostat de haute pression

Cet appareil est équipé d'un pressostat haute pression situé sur la conduite de liquide. Le pressostat SPST, normalement fermé, s'ouvre lorsque la pression dans la conduite de liquide dépasse le réglage d'usine de 590 +/- 15 psig (4068 +/- 103 kPa) et se réarme automatiquement à 418 +/- 15 psig (2882 +/- 103 kPa).

Couples de serrage requis

Lors de l'entretien ou la réparation des composants du climatiseur, assurez-vous que les fixations sont correctement serrées. Le **Tableau 14** indique les valeurs de couple des fixations.

Tableau 14. Tableau des couples de serrage

| Fixation | Torque |
|---------------------------------|----------------------|
| Tiges de robinet | 4 po lb (0,45 N·m) |
| Capuchons de tige | 8 pi lb (10,85 N·m) |
| Capuchons d'orifices de service | 8 pi lb (10,85 N·m) |
| Vis à tôle | 16 po lb (1,81 N·m) |
| Vis de mécanique no 8 | 16 po lb (1,81 N·m) |
| Vis de mécanique no 10 | 28 po lb (3,16 N·m) |
| Boulons de compresseur | 90 po lb (10,17 N·m) |

Robinet de service des tuyaux de liquide et d'aspiration

Les robinets de service du tuyau de liquide et du tuyau d'aspiration (voir **Figure 22**) et les orifices de service sont utilisés pour l'essai d'étanchéité, l'évacuation, la charge et la vérification de la charge.

Chaque robinet est équipé d'un orifice de service doté d'une vanne Schrader installée en usine. Un capuchon d'orifice protège la vanne Schrader de la contamination et sert de joint d'étanchéité primaire.

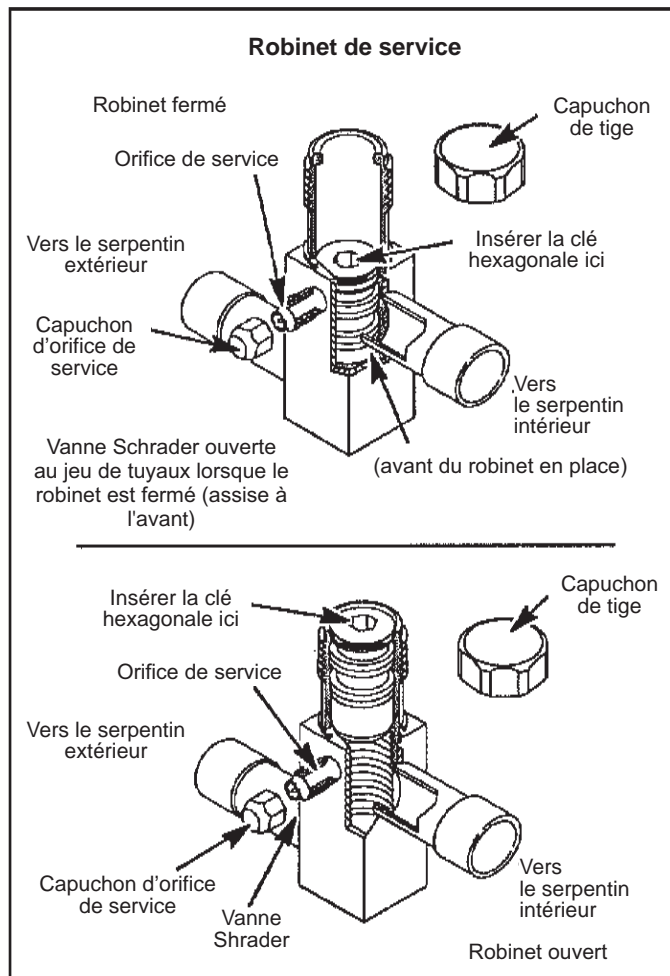


Figure 22.

Pour accéder à l'orifice Schrader :

1. Retirez le capuchon de l'orifice de service à l'aide d'une clé réglable.
2. Branchez le manomètre sur l'orifice.
3. Une fois le test terminé, remplacez le capuchon de l'orifice de service. Serrez à la main, puis de 1/6 tour supplémentaire.

Pour ouvrir le robinet de service du tuyau de liquide ou d'aspiration :

1. Retirez le capuchon de tige à l'aide d'une clé réglable.
2. Utilisez une clé de service avec une rallonge à tête hexagonale pour faire reculer la tige dans le sens inverse des aiguilles d'une montre aussi loin que possible. Utilisez une rallonge à tête hexagonale de 3/16 po pour les robinets de service du tuyau de liquide et une rallonge de 5/16 po pour les robinets de service du tuyau d'aspiration.
3. le capuchon de tige en place. Serrez à la main, puis de 1/6 tour supplémentaire.

Pour fermer le robinet de service du tuyau de liquide ou d'aspiration :

1. Retirez le capuchon de tige à l'aide d'une clé réglable.
2. Utilisez une clé de service avec une rallonge à tête hexagonale pour tourner la tige dans le sens des aiguilles d'une montre pour asseoir le robinet. Serrez fermement.
3. Remettez le capuchon de tige en place. Serrez à la main, puis de 1/6 tour supplémentaire.

Robinet de service (type à bille) du tuyau d'aspiration

Les robinets de service (à bille) des tuyaux d'aspiration fonctionnent de la même manière que les autres robinets; la différence réside dans la construction (voir **Figure 23**).

Le robinet à bille est doté d'un orifice de service avec une vanne Schrader installée en usine. Un capuchon d'orifice protège la vanne Schrader de la contamination et sert de joint d'étanchéité primaire.

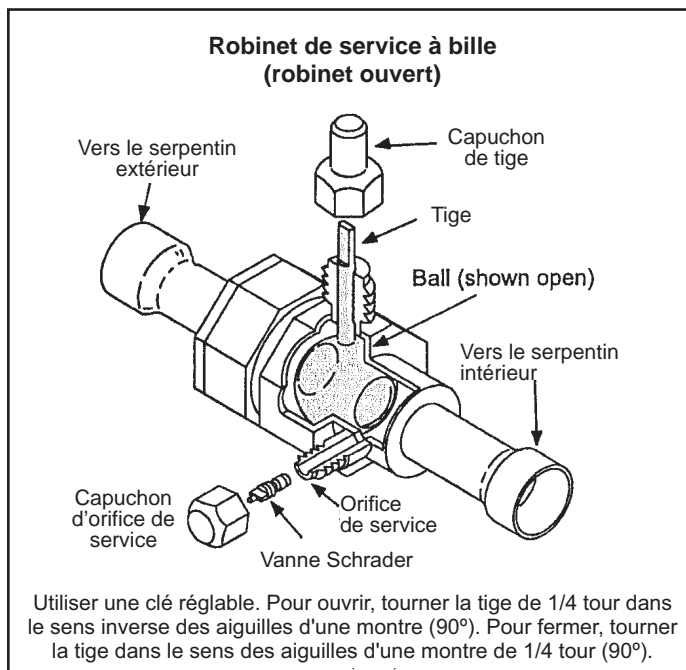


Figure 23.

Entretien

Exigences de l'entretien régulier

Le système doit être régulièrement inspecté par un technicien d'entretien agréé. Ces visites régulières peuvent inclure (entre autres) des vérifications pour :

- Fonctionnement du moteur
- Fuites d'air dans le réseau de conduits
- Propreté du serpentin et du plateau de vidange (intérieur et extérieur)
- Vérification du câblage et du fonctionnement des composants électriques
- Niveau de réfrigérant correct et fuites de réfrigérant
- Débit d'air correct
- Vidange du condensat
- Rendement du ou des filtres à air
- Alignement, équilibrage et nettoyage de la roue de soufflante
- Propreté des tuyaux de vidange primaire et secondaire
- Bon fonctionnement du dégivrage (thermopompes)

Filtre à air

Inspectez les filtres à air au moins une fois par mois et remplacez-les ou nettoyez-les au besoin. Les filtres jetables doivent être remplacés. Les filtres lavables peuvent être nettoyés en les trempant dans un détergent doux et en les rinçant à l'eau froide. Laissez sécher le filtre avant de le réinstaller. Remplacez les filtres en orientant les flèches dans le sens de la circulation d'air. Les filtres encrassés sont la cause la plus fréquente du mauvais rendement du chauffage/refroidissement et des pannes de compresseur.

Serpentin intérieur

Si le système a été utilisé avec un filtre propre en place, il devrait nécessiter un nettoyage minimal. Si un nettoyage est nécessaire, contactez votre revendeur pour obtenir un entretien.

Drain du condensat

Pendant la saison nécessitant le refroidissement, vérifiez au moins une fois par mois le libre écoulement de la vidange et nettoyez si nécessaire.

Serpentins du condenseur

L'herbe coupée, les feuilles, la saleté, la poussière, les peluches de sècheuse et le feuillage des arbres peuvent être attirés dans les serpentins par le mouvement de l'air. Des serpentins de condenseur obstrués réduiront l'efficacité de votre appareil et pourraient endommager le condenseur.

Périodiquement, les débris doivent être brossés des serpentins du condenseur. Utilisez une brosse à poils doux avec une légère pression seulement. N'endommagez pas et ne pliez pas les ailettes du serpentin du condenseur. Des ailettes endommagées ou pliées peuvent affecter le fonctionnement de l'appareil.

⚠ ADVERTISSEMENT

RISQUE DE COUPURE!

Le serpentin du condenseur a des arêtes vives. Portez une protection adéquate sur les extrémités du corps (par exemple des gants).

LE NON-RESPECT DE CET AVERTISSEMENT PEUT ENTRAÎNER DES BLESSURES CORPORELLES.

Surfaces peintes

Pour une protection maximale de la finition de l'appareil, une cire automobile de bonne qualité doit être appliquée chaque année. Dans les zones géographiques où l'eau a une forte concentration de minéraux (calcium, fer, soufre, etc.), il est recommandé de ne pas permettre aux gicleurs de gazon d'arroser l'appareil. Dans de telles applications, les gicleurs doivent être dirigés loin de l'appareil. Le non-respect de cette précaution peut entraîner une détérioration prématurée de la finition de l'appareil et des composants métalliques.

Dans les zones côtières de la mer, un entretien spécial est nécessaire en raison de l'atmosphère corrosive fournie par la forte concentration de sel dans les brouillards océaniques et l'air. Le lavage périodique de toutes les surfaces exposées et du serpentin ajoutera de la vie à votre appareil. Veuillez consulter votre concessionnaire installateur pour connaître les procédures appropriées dans votre région.

Informations sur le propriétaire



AVERTISSEMENT **RISQUE DE DÉCHARGE ÉLECTRIQUE!**

Coupez l'alimentation électrique de l'appareil avant d'effectuer toute manœuvre d'entretien ou de retirer des panneaux ou des portes. .

LE NON-RESPECT DE CETTE CONSIGNE PEUT ENTRAÎNER DES BLESSURES GRAVES, VOIRE MORTELLES.

Fonctionnement de la thermopompe

Votre nouvelle thermopompe présente plusieurs caractéristiques dont vous devez être conscient :

- Les thermopompes satisfont la demande de chauffage en fournissant de grandes quantités d'air chaud dans l'espace de vie. Ceci est tout à fait différent des générateurs d'air chaud à gaz, à mazout ou électriques qui délivrent des volumes plus faibles d'air considérablement plus chaud pour chauffer l'espace.
- Ne soyez pas alarmé si vous remarquez du givre sur le serpentin extérieur dans les mois d'hiver. Du givre se développe sur le serpentin extérieur pendant le cycle de chauffage lorsque les températures sont inférieures à 45°F (7.22°C). Une commande électronique active un cycle de dégivrage de 5 à 15 minutes à intervalles prédéfinis pour éliminer le givre du serpentin extérieur.
- Pendant le cycle de dégivrage, vous remarquerez peut-être que de la vapeur s'échappe de l'unité extérieure. Ceci est normal. Le thermostat peut activer le chauffage auxiliaire pendant le cycle de dégivrage pour satisfaire une demande de chauffage; cependant, l'appareil fonctionnera normalement à la fin du cycle de dégivrage.

En cas de panne de courant prolongée...

Si la température extérieure est inférieure à 50°F (10°C) et que l'alimentation de votre unité extérieure a été interrompue pendant une heure ou plus, observez les consignes suivantes lorsque vous rétablissez l'alimentation de votre système à thermopompe.

- Réglez le sélecteur du thermostat de la pièce sur « Emergency Heat » (chauffage d'urgence) pour obtenir un chauffage temporaire pendant un minimum de 6 heures. Les pressions et les températures du réfrigérant auront alors suffisamment de temps pour revenir à un état stabilisé.
- En mode de chauffage d'urgence, toute demande de chauffage est satisfaite par le chauffage auxiliaire et le fonctionnement de la thermopompe est verrouillé. Après une période de « préchauffage » de 6 heures, le thermostat peut alors être réglé sur « Heat » et le fonctionnement normal de la thermopompe peut reprendre.

Fonctionnement du thermostat

Le thermostat mural contrôle votre thermopompe. Le thermostat est disponible dans différentes configurations de différents fabricants. Les informations ci-dessous sont typiques pour la plupart des thermostats. Demandez à votre revendeur des renseignements précis sur le modèle de thermostat installé.

Commutateur du ventilateur

En mode AUTO ou INT (intermittent), le ventilateur fonctionne uniquement lorsque le thermostat demande du chauffage ou du refroidissement. Ce mode est généralement préféré lorsque le contrôle de l'humidité est une priorité.

Le mode ON ou CONT permet un fonctionnement continu du ventilateur intérieur, que ce soit le compresseur ou le chauffage auxiliaire qui fonctionnent. Ce mode est nécessaire lorsque la circulation d'air ou le filtrage constants est souhaité.

Sur les modèles sans commutateur de ventilateur, le ventilateur fonctionne avec l'unité extérieure.

Commutateur du système

Réglez le commutateur du système sur le chauffage, le refroidissement ou le fonctionnement automatique. Le mode automatique permet à la thermopompe de passer automatiquement du mode chauffage au mode refroidissement pour maintenir des réglages de confort prédéterminés. De nombreux thermostats de thermopompe sont également équipés d'un mode de chauffage d'urgence qui verrouille le fonctionnement de la thermopompe et fournit la chaleur temporaire fournie par le chauffage auxiliaire.

Voyant de chauffage d'urgence

La plupart des thermostats de thermopompe ont un voyant orange qui indique quand la pompe à chaleur fonctionne en mode de chauffage d'urgence.

Indicateur de température

L'indicateur de température affiche la température réelle de la pièce.

Thermostats programmables

Votre système peut être commandé par un thermostat programmable. Ces thermostats offrent la fonctionnalité supplémentaire de points de consigne quotidiens programmables pour le chauffage et le refroidissement. Reportez-vous au manuel d'information de l'utilisateur fourni avec votre thermostat particulier pour plus de détails sur le fonctionnement.

Informations importantes sur le système

- Votre système ne doit jamais être utilisé sans un filtre à air propre correctement installé.
- Les registres de retour d'air et d'air soufflé doivent être exempts de restrictions ou d'obstructions pour permettre un débit d'air maximal.

SI VOTRE SYSTÈME NE FONCTIONNE PAS, AVANT DE DEMANDER UN APPEL DE SERVICE :

1. Assurez-vous que le thermostat est réglé en dessous (refroidissement) ou au-dessus (chauffage) de la température de la pièce et que le levier du système est en position « COOL » (refroidissement), « HEAT » (chauffage) ou « AUTO » (fonctionnement automatique).
2. Inspectez votre filtre de retour d'air : s'il est sale, votre thermopompe risque de ne pas fonctionner correctement.
3. Vérifiez les sectionneurs intérieur et extérieur. Vérifiez que les disjoncteurs sont ARMÉS ou que les fusibles n'ont pas grillé. Réarmez les disjoncteurs ou remplacez les fusibles si nécessaire.
4. Inspectez l'unité extérieure pour vérifier que les serpentins du condenseur ne sont pas obstrués (herbe coupée, feuilles, saleté, poussière ou peluches). Assurez-vous que les branches, les brindilles ou autres débris n'obstruent pas le ventilateur du condenseur.

SI VOTRE SYSTÈME NE FONCTIONNE TOUJOURS PAS, CONTACTEZ VOTRE REVENDEUR INSTALLATEUR.

Assurez-vous de décrire le problème et de disposer des numéros de modèle et de série de l'équipement.

Si des pièces de rechange sous garantie sont nécessaires, la garantie doit être traitée par un distributeur qualifié.

Liste de vérification du démarrage et du rendement

Client : _____ Adresse : _____
 Modèle de l'unité intérieure : _____ Série : _____
 Modèle de l'unité extérieure : _____ Série : _____
 Remarques : _____

Vérification au démarrage

Type de réfrigérant : _____
 Intensité nominale avec charge (A) : _____ Intensité réelle : _____ Tension nominale (V) : _____ Tension réelle : _____
 Intensité à pleine charge du ventilateur de condenseur : _____ Intensité réelle : _____

Mode de refroidissement

Pression d'aspiration : _____ Pression du liquide : _____
 Température de l'air soufflé : _____ Température ambiante : _____ Température de l'air de reprise : _____

Charge de réfrigérant du système (se référer aux informations du fabricant sur l'appareil ou aux instructions d'installation pour connaître les températures de sous-refroidissement et d'approche requises.)

| | |
|---|------------------------------|
| Sous-refroidissement | A – B = sous-refroidissement |
| Température de condensation saturée (A) | |
| Moins la température de l'air extérieur (B) | |

| | |
|---|------------------|
| Approche : | A – B = approche |
| Température de condensation saturée (A) | |
| Moins la température de l'air extérieur (B) | |

| | |
|--|---|
| Chute de température du serpentin intérieur (18 à 22 °F) : | A – B = chute de température du serpentin |
| Température de condensation saturée (A) | |
| Moins la température de l'air extérieur (B) | |

Garantie limitée des produits CVC à conduits de GE Appliances

GEAppliancesAirandWater.com

Veillez conserver votre reçu indiquant la date d'achat initiale.

Cette Garantie limitée standard est attribuée à l'Acheteur initial du Produit pour les modèles énumérés sous l'Annexe 1 (le « Produit ») :

| Pour la période de : | GE Appliances remplacera : |
|---|--|
| Garantie limitée de 5 ans sur les pièces À compter de la date d'achat initial | Si toute pièce s'avère défectueuse en raison d'un vice de fabrication et/ou de matière pendant une période de cinq (5) ans à compter de la date d'installation, GE Appliances la remplacera sans frais. Les pièces utilisées pour le remplacement peuvent être des pièces neuves ou remises à neuf, déterminées à la seule discrétion de GE Appliances, et fournies à votre technicien-installateur CVC agréé. |
| Garantie limitée enregistrée de 10 ans sur les pièces À compter de la date d'installation initiale (INSCRIPTION EN LIGNE REQUISE sur GEAppliances.com) DOIT ÊTRE UNE MAISON UNIFAMILIALE RÉSIDENTIELLE | Si toute pièce s'avère défectueuse en raison d'un vice de fabrication et/ou de matière pendant une période de dix (10) ans à compter de la date d'installation, GE Appliances la remplacera sans frais. La pièce de remplacement est garantie pour le reste de la période de garantie initiale de dix (10) ans. Les pièces utilisées pour le remplacement peuvent être des pièces neuves ou remises à neuf, déterminées à la seule discrétion de GE Appliances, et fournies à votre technicien-installateur CVC agréé. Cette garantie limitée enregistrée sur les pièces nécessite un enregistrement en ligne dans les soixante (60) jours suivant la date d'installation ou d'occupation initiale. LES APPLICATIONS NON RÉSIDENTIELLES/COMMERCIALES NE SONT PAS ADMISSIBLES À CETTE GARANTIE LIMITÉE ENREGISTRÉE SUR LES PIÈCES |

MAIN-D'ŒUVRE NON COUVERTE :

Ces garanties limitées n'incluent PAS la main-d'œuvre ou tout autre coût encouru pour l'entretien, la maintenance, la réparation, le retrait, le remplacement, l'installation, le respect des codes locaux du bâtiment ou de l'électricité, l'expédition ou la manutention, le remplacement du système, des compresseurs ou d'autres pièces.

COMPOSANTS EXCLUS :

Les composants suivants ne sont pas couverts par cette garantie : armoires, pièces d'armoire, filtres à air, déshydrateur, réfrigérant, jeux de conduites de réfrigérant, courroies, câblage, fusibles, gicleurs d'huile, les accessoires de l'unité et toutes les pièces qui n'impactent pas le fonctionnement de l'unité.

QUELLE EST LA DATE D'ACHAT :

La « Date d'achat » est la date à laquelle le produit est acheté par le Propriétaire initial. La « Date de l'installation » est la date à laquelle l'installation d'origine a été complétée et toutes les procédures de mise en service du Produit ont été correctement exécutées et vérifiées d'après la facture de l'installateur. Si la date d'installation ne peut être vérifiée, la Date d'installation sera soit soixante (60) jours après la date de fabrication, telle que déterminée par le numéro de série du Produit, soit trente (30) jours après la Date d'achat. Vous devez conserver et être en mesure de fournir votre ticket de caisse d'origine de l'installateur comme preuve de la Date d'achat et de la Date d'installation. Pour une nouvelle construction, la date d'achat sera la date d'achat de la résidence par le propriétaire du bâtiment.

QUI EST COUVERT :

Occupé par le propriétaire : Le « Propriétaire initial » désigne le propriétaire initial (et son conjoint) d'une famille unifamiliale résidentielle où le Produit a été installé à l'origine.

Non occupés par le propriétaire : Le terme « Non occupés par le propriétaire » est défini comme a) les immeubles résidentiels unifamiliaux ou multifamiliaux qui sont Non occupés par le propriétaire, ou b) les applications commerciales légères (comme les immeubles de bureaux, les établissements de vente au détail, les hôtels/motels).

Pour les immeubles ou applications Non occupés par le propriétaire, cette garantie limitée exige que le produit soit installé et entretenu annuellement par un technicien CVC agréé (une preuve d'entretien annuel est requise).

COMMENT OBTENIR UN SERVICE D'INSTALLATION OU DE RÉPARATION :

Communiquez avec votre technicien-installateur en chauffage, ventilation et climatisation agréé. Tous les services d'installation et de réparation doivent être réalisés par un technicien en chauffage, ventilation et climatisation agréé.

L'omission de recourir à un technicien en chauffage, ventilation et climatisation agréé pour l'installation de ce Produit annule toute garantie sur ce Produit.

Garantie limitée des produits CVC à conduits de GE Appliances

Ce que les appareils GE ne couvrent pas :

- Entretien ou installation incorrects.
- Les dommages survenus pendant l'expédition.
- Les défauts qui ne sont pas attribuables au fabricant (c.-à-d. autres que les vices de matière et de main-d'œuvre).
- Les dommages résultant d'un mauvais usage, d'un abus, d'un accident, d'une modification, d'un manque de soins appropriés.
- Les dommages résultant d'une inondation, d'un incendie, du vent, de la foudre, d'un accident ou de conditions similaires.
- Produit qui n'a pas été installé ou entretenu par un technicien CVC agréé.
- La main-d'œuvre et les services connexes pour la réparation ou l'installation du Produit.
- Un Produit acheté auprès d'un revendeur en ligne non autorisé.
- Les dommages résultant de l'exposition du Produit à une atmosphère qui comporte des substances corrosives ou des niveaux élevés de particules (telles que suie, aérosols, vapeurs, graisse).
- Modification, changement ou altération de l'équipement, sauf directive écrite de GE Appliances.
- Utilisation de réfrigérant contaminé ou non compatible avec l'unité.
- Fonctionnement avec des composants du système (unité intérieure, unité extérieure et dispositifs de contrôle du réfrigérant) qui ne correspondent pas à l'AHRI ou ne répondent pas aux spécifications recommandées par GE Appliances.
- Un Produit vendu et/ou installé à l'extérieur des cinquante (50) États des États-Unis, du district de Columbia ou du Canada.
- Les piles du contrôleur et des autres accessoires fournis avec le Produit pour l'installation (p.ex. flexible en plastique).
- L'entretien normal tel que le nettoyage des serpentins et des filtres et la lubrification.
- Un Produit installé dans un immeuble occupé par de(s) non propriétaire(s) s'il n'a pas fait l'objet d'un entretien annuel par un technicien en chauffage, ventilation et climatisation agréé (preuve requise).
- Les dommages résultant de l'utilisation d'un composant ou d'une pièce usagés ou non approuvés par GE Appliances (p.ex. un condenseur ou une unité de traitement d'air usagés et/ou non approuvés).
- Des composants ou des pièces non fournis par GE Appliances.
- Un produit qui a été déplacé de son installation d'origine vers une nouvelle résidence ou un nouveau bâtiment.
- Accident, négligence ou utilisation ou fonctionnement déraisonnable de l'équipement, y compris l'utilisation de l'équipement électrique à des tensions autres que celles spécifiées sur la plaque signalétique de l'appareil (y compris les dommages causés par les baisses de tension).
- Tout dommage occasionné par un accident, un incendie, une inondation ou une catastrophe naturelle.
- Dommages accessoires ou indirects causés par d'éventuels défauts de ce produit.

DROITS LÉGAUX :

Certains États et provinces n'autorisent pas l'enregistrement des conditions de garantie. Dans ces États et provinces, la garantie limitée enregistrée de 10 ans sur les pièces s'applique. En outre, si la loi de l'État ou de la province où le produit est installé le permet, les propriétaires ultérieurs de la résidence ou du bâtiment peuvent avoir des droits supplémentaires ou des conditions de garantie plus longues.

EXIGENCES RELATIVES À LA COUVERTURE DE LA GARANTIE LIMITÉE ENREGISTRÉE SUR LES PIÈCES :

- L'appareil est un appareil GE Appliances.
- L'appareil est installé dans une application résidentielle.
- L'appareil est correctement enregistré sur **GEAppliances.com** dans les 60 jours suivant la date d'installation ou d'occupation initiale.
- L'appareil fait partie d'un système AHRI complet et il est installé par un entrepreneur certifié ou agréé conformément aux instructions d'installation, de fonctionnement et d'entretien fournies avec l'unité.
- Unités intérieures et extérieures à conduits ne sont couvertes que lorsqu'elles sont des appareils de marque GE Appliances et qu'elles sont achetées et installées en tant que système avec un appareil admissible. (Les serpentins de tierce partie ne sont pas couverts).
- L'installation est conforme aux lois, règlements, codes et ordonnances applicables.
- L'appareil n'a pas été commandé sur Internet. Une preuve d'achat peut s'avérer nécessaire.

Garantie limitée des produits CVC à conduits de GE Appliances

EXCLUSION DE GARANTIES IMPLICITES :

SAUF DANS LA MESURE INTERDITE PAR LA LOI APPLICABLE, CETTE GARANTIE LIMITÉE EST EXCLUSIVE ET REMPLACE TOUTE AUTRE GARANTIE, EXPRESSE OU IMPLICITE, Y COMPRIS, MAIS SANS S'Y LIMITER, TOUTE GARANTIE IMPLICITE DE QUALITÉ MARCHANDE ET D'ADÉQUATION À UN USAGE PARTICULIER.

GE APPLIANCES NE POURRA EN AUCUN CAS ÊTRE TENU RESPONSABLE DES DOMMAGES INDIRECTS, ACCESSOIRES, SPÉCIAUX OU CONSÉCUTIFS, Y COMPRIS, SANS S'Y LIMITER, LA PERTE DE CLIENTÈLE, LA PERTE DE REVENUS OU DE PROFITS, L'ARRÊT DE TRAVAIL, LA DÉFAILLANCE DU SYSTÈME, LA DÉTÉRIORATION OU LES DOMMAGES À D'AUTRES ÉQUIPEMENTS OU MARCHANDISES, LES COÛTS DE RETRAIT ET DE RÉINSTALLATION DU SYSTÈME, LA PERTE D'UTILISATION, LES BLESSURES AUX PERSONNES OU AUX BIENS DÉCOULANT DE OU LIÉS AU SYSTÈME. LA RESPONSABILITÉ TOTALE DE GE APPLIANCES, LE CAS ÉCHÉANT, EN VERTU DE CETTE GARANTIE LIMITÉE NE DOIT PAS DÉPASSER LA VALEUR DE LA FACTURE PAYÉE PAR LE CLIENT POUR LE SYSTÈME FAISANT L'OBJET D'UNE RÉCLAMATION OU D'UN LITIGE.

CERTAINS ÉTATS N'AUTORISENT PAS L'EXCLUSION OU LA LIMITATION DES DOMMAGES ACCESSOIRES OU CONSÉCUTIFS, OU AUTORISENT LES RENONCIATIONS DE GARANTIES IMPLICITES, DE SORTE QUE LES LIMITATIONS OU EXCLUSIONS CI-DESSUS PEUVENT NE PAS S'APPLIQUER AU CLIENT. CETTE GARANTIE LIMITÉE CONFÈRE AU CLIENT DES DROITS LÉGAUX SPÉCIFIQUES. LES CLIENTS PEUVENT ÉGALEMENT AVOIR D'AUTRES DROITS QUI VARIENT D'UN ÉTAT À L'AUTRE.

Le recours autorisé dans cette garantie est exclusif et il est accordé en remplacement de tout autre recours. Cette garantie ne couvre pas les dommages accessoires ou indirects. Certains États ou provinces ne permettent pas l'exclusion des dommages accessoires ou indirects, donc cette limitation peut ne pas s'appliquer à vous. Certaines États ou provinces ne permettent pas de limiter la durée d'une garantie implicite, donc cette limitation peut ne pas s'appliquer à vous. Cette garantie vous accorde des droits particuliers et il peut exister d'autres droits qui varient selon l'État ou la province. Cette garantie couvre les appareils dans les cinquante (50) États des États-Unis, du district de Columbia ou du Canada.

Cette garantie est attribuée par :
GE Appliances, a Haier company
Louisville, KY 40225

Clients des États-Unis : Cette garantie limitée est étendue à l'acheteur d'origine pour les produits achetés relativement à une utilisation domestique à l'intérieur des États-Unis. En Alaska et à Hawaï, la garantie limitée n'inclut pas les coûts relatifs à l'expédition des appareils.

Certains États ou provinces ne permettent pas l'exclusion ou la restriction des dommages accessoires ou indirects. Certains droits particuliers vous sont dévolus en vertu de la présente garantie et peuvent s'accompagner d'autres droits qui varient selon votre lieu de résidence. Pour connaître la nature exacte de vos droits, consultez l'organisme de protection du consommateur de votre région, ou encore le bureau du procureur général de l'État.

GE Appliances, a Haier company
Louisville, KY 40225

ANNEXE 1 :

La définition de « Produit » correspond aux appareils unitaires à conduits de marque GE. Le « Produit » comporte deux (2) sous-catégories de biens : Les « Produits intérieurs et extérieurs » et les « Produits d'installation sélectionnés », définis ci-dessous : Les « Produits intérieurs et extérieurs » peuvent aussi être identifiés par les descriptions des numéros de modèle suivants : NS*, NAM*, NC*, NF* et NP*.

Brochez votre reçu ici. Pour obtenir le service sous garantie, vous devez fournir la preuve de la date d'achat initial.