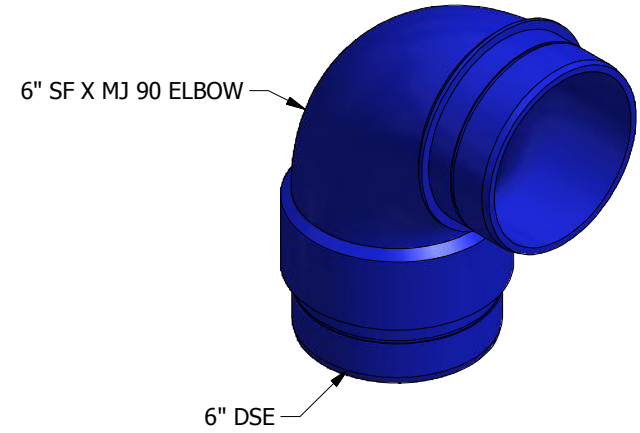
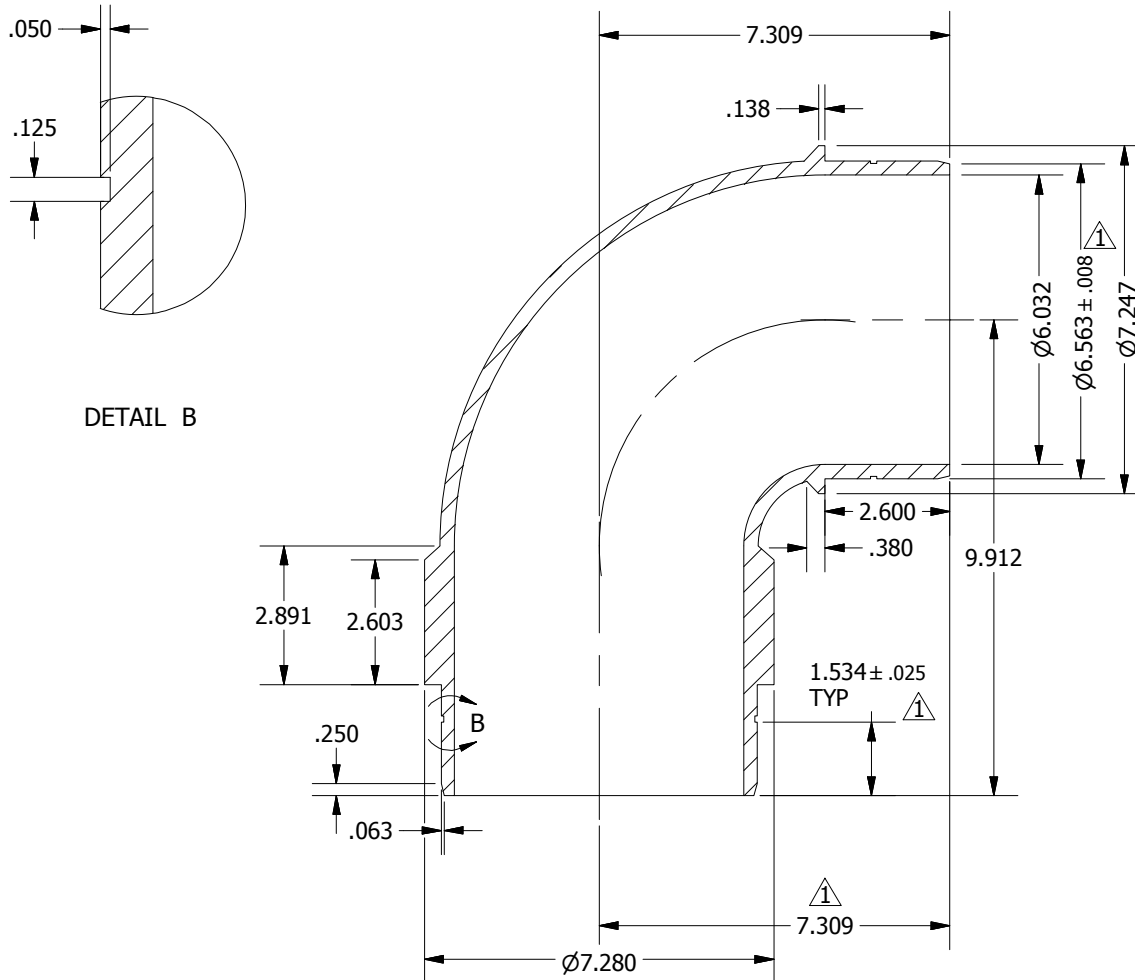


NO.	ALTERATIONS	DATE	BY	CHK'D
1	DIM. & TOLERANCE ADDED	24/8/15	VASIM	



**NOTES:**

- 1.- THE MOLDED PART MUST BE FREE OF BURRS & FLASH
- 2.- THE SIZE OF THE PIECE MUST BE MARKED
- 3.- THE POSITION ON THE DRAWING OF THE SIZE MARKING IS FOR REFERENCE ONLY
- 4.- PLACE LABEL 92667291 ON THE PART

UNLESS OTHERWISE SPECIFIED DIMENSIONS ARE IN INCHES  
TOLERANCES ARE IN:

DECIMALS	ANGLES	O-O-R
.XX= ±0.010	±0.5°	0.060
.XXX= ±0.005		

EDP. NO.	710401	<b>WATTS</b> BURLINGTON, ONTARIO, CANADA	<b>ORION FITTINGS</b> KANSAS CITY, KS 66115, USA	PART NO. 01106003	
DWG. NO.		TITLE <b>PLN END BL 6 90E</b>			
REV	1	MATERIAL	WEIGHT	N/A	
PLOT	NTS	703000 VIRGIN 7823/TI4007 PPII 95% 706006 FLAME RETARDANT BLUE 5%	BY	DRAWN	APPR'VD
SCALE	1:1		NAME	VASIM	B.GHALY
COLOR			DATE	7/8/15	7/8/15
		MATERIAL	PRINTS BEFORE <u>AUG 24, 2015</u> ARE VOID		