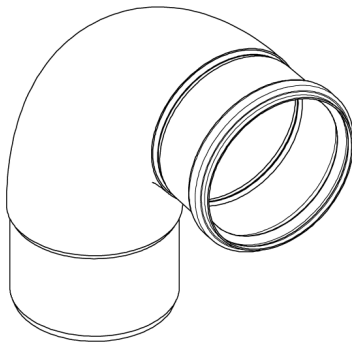
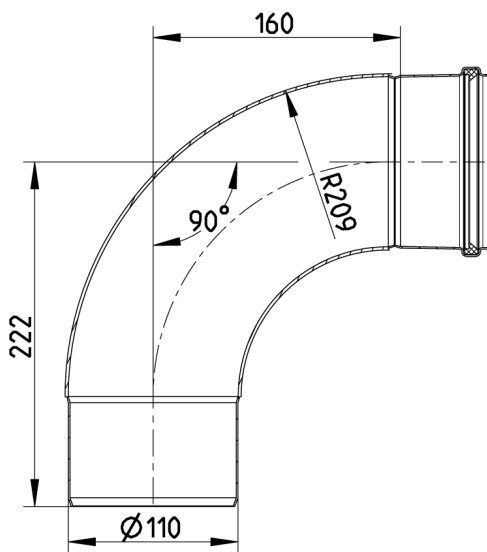




BEND, LARGE RAD 87.5°, Ø110MM
- Stainless steel: AISI316L/EN1.4404

DATA

Type no.:	825.090.110 S	Type:	Bends
EAN no.:	5705499408867	Outlet dia. (mm):	110
VVS no.:		Angle (°):	87,5
RSK no.:		Weight (kg):	1,41
NRF no.:		Material:	AISI 316L
LVI no.:	0256017	Material:	EN 1.4404



Approvals

Achilles - 25316-17
DK - VA 2.12/19349-16
DK - VA 2.12/19350-16
MARINE - R4547 NATO CODIFICATION SYSTEM
NO - 0692-16
PL - Hygienic Certificate - All products
RINA - MAC128714XG EuroPipe
RS - 14.10112.262
RU - 1682258
SE - SITAC 4423/90-17