



GE APPLIANCES

# SINGLE-ZONE DUCTLESS HEAT PUMP SYSTEM HIGHWALL

# 09K

SUBMITTAL

Job Name: \_\_\_\_\_

Purchaser: \_\_\_\_\_

Submitted To: \_\_\_\_\_

Construction: \_\_\_\_\_

Reference: \_\_\_\_\_

Approval: \_\_\_\_\_

Date: \_\_\_\_\_

Submitted By: \_\_\_\_\_

Unit: \_\_\_\_\_

Drawing #: \_\_\_\_\_



Outdoor Model:  
**1G09CB1BEA**



Indoor Model:  
**GS09WB1BEA**



### Outdoor Accessories

Front Wind Baffle	UAWB15GA
Side Wind Baffle	UASWB15GA
Back Wind Baffle	UAWB15GA
Top Cover	UATC15GA
Central Controller	UACT32A

### Indoor Accessories

Wired Controller	GACT17B
Refrigerant Detection Sensor (RDS)	UALS01A
Remote Controller	WJ26X35395

### Specifications

Operating Range	Cooling (Without Wind Baffle or Top Cover)	23~115°F (-5~46°C)
	Heating	-4~75°F (-20~24°C)
Power	Voltage, Cycle, Phase (V/Hz/-)	115/60/1
	Rated Capacity Btu/hr	9,000
Cooling	Capacity Range Btu/hr	3,400-10,000
	SEER2 / EER2	20/12
	Rated Power Input W	750
	Moisture Removal Pt./hr.	2.7
Heating	Rated Heating Capacity 47°F Btu/hr	10,000
	Heating Capacity Range Btu/hr	3,400-11,000
	COP 5°F	1.8
	Rated Heating Capacity 5°F Btu/hr	7,000
	HSPF2 (IV) / HSPF2 (V)	9.5/7.8
Rated Power Input W	772	
Outdoor Unit	Compressor	DC Inverter Rotary
	Maximum Fuse Size A	25
	Minimum Circuit Amp A	18
	Outdoor Noise Level dB	54
	Dimension: HxWxD in (mm)	21 3/4 x 34 x 11 (553 x 863 x 280)
	Carton Dimension: HxWxD in (mm)	24 3/8 x 36 5/8 x 16 (618 x 929 x 407)
Indoor Unit	Weight (Net/Ship) - lbs (kg)	65.31/78.11 (29.6/35.4)
	Basepan Heater	Yes
	Fan Speed Stages	5 + Auto
	Airflow CFM: Cooling (Turbo/High/Med/Low/Quiet)	360/290/260/230/210
	Indoor Motor Speed RPM: Cooling (Turbo/High/Med/Low/Quiet)	1250/1050/950/850/750
	Indoor Sound Level dB: Cooling (Turbo/High/Med/Low/Quiet)	46/43/40/39/32
	Airflow CFM: Heating (Turbo/High/Med/Low/Quiet)	350/290/250/220/200
	Indoor Motor Speed RPM: Heating (Turbo/High/Med/Low/Quiet)	1200/1020/895/770/700
	Indoor Sound Level dB: Heating (Turbo/High/Med/Low/Quiet)	44/41/38/37/34
	Dimension: H x W x D in (mm)	11 7/8 x 33 3/4 x 7 3/4 (301 x 856 x 196)
	Carton Dimension: H x W x D in (mm)	11 1/8 x 37 1/2 x 15 3/8 (283 x 952 x 389)
	Weight (Net/Ship) - lbs (kg)	21.84/26.92 (9.9/12.2)
	Drain Pipe Size O.D in	5/8
	WiFi*	Built-in
Factory-Installed Refrigerant Detection Sensor (RDS)	No	
Refrigerant Detection Sensor (RDS) Compatible	Yes	
Refrigerant Line	Refrigerant	R454B
	Connections	Flare
	Liquid O.D. in	1/4
	Suction O.D. in	3/8
	Factory Charge Oz	30.3
	Maximum Line Length Ft / m	66/20
Maximum Height Ft / m	33/10	

\*WiFi includes SmartHQ™ Home and SmartHQ™ Service compatibility.

For more information visit us:  
[GEAppliancesAirAndWater.com](http://GEAppliancesAirAndWater.com)

©Copyright 2025 GE Appliances, a Haier Company. GE is a trademark of the General Electric Company. Manufactured under trademark license. GE Appliances has a policy of continuous improvement of its products and reserves the right to change materials and specifications without notice.





GE APPLIANCES

# SINGLE-ZONE DUCTLESS HEAT PUMP SYSTEM HIGHWALL

# 09K

## 1G09CB1BEA / GS09WB1BEA

### Heating Capacity Data

TC: Total Capacity PI: Power Input

Outdoor Air Temp DB	Indoor Temperature (°F, DB)																				
	60			64			68			70			72			75			79		
	TC (Btu/h)	PI (W)	COP	TC (Btu/h)	PI (W)	COP	TC (Btu/h)	PI (W)	COP	TC (Btu/h)	PI (W)	COP	TC (Btu/h)	PI (W)	COP	TC (Btu/h)	PI (W)	COP	TC (Btu/h)	PI (W)	COP
-4°F (-20°C)	6,784	1,053	1.89	6,377	1,074	1.74	6,186	1,096	1.65	6,000	1,118	1.57	5,820	1,140	1.50	5,646	1,163	1.42	5,307	1,186	1.31
0°F (-18°C)	7,328	1,064	2.02	6,889	1,085	1.86	6,682	1,107	1.77	6,481	1,129	1.68	6,287	1,151	1.60	6,098	1,174	1.52	5,733	1,198	1.40
5°F (-15°C)	7,915	1,074	2.16	7,440	1,096	1.99	7,216	1,118	1.89	7,000	1,140	1.80	6,790	1,163	1.71	6,586	1,186	1.63	6,191	1,210	1.50
14°F (-10°C)	8,548	1,021	2.45	8,035	1,041	2.26	7,794	1,062	2.15	7,560	1,083	2.05	7,333	1,105	1.95	7,113	1,127	1.85	6,686	1,149	1.71
23°F (-5°C)	9,232	970	2.79	8,678	989	2.57	8,417	1,009	2.45	8,165	1,029	2.33	7,920	1,049	2.21	7,682	1,070	2.10	7,221	1,092	1.94
32°F (0°C)	9,970	921	3.17	9,372	939	2.92	9,091	958	2.78	8,818	977	2.64	8,553	997	2.51	8,297	1,017	2.39	7,799	1,037	2.20
41°F (5°C)	10,867	926	3.44	10,215	944	3.17	9,909	963	3.02	9,612	982	2.87	9,323	1,002	2.73	9,044	1,022	2.59	8,501	1,042	2.39
47°F (8°C)	11,307	727	4.56	10,629	742	4.20	10,310	757	3.99	10,000	772	3.80	9,700	787	3.61	9,409	803	3.43	8,845	819	3.16
55°F (13°C)	11,646	731	4.67	10,947	746	4.30	10,619	761	4.09	10,300	776	3.89	9,991	791	3.70	9,692	807	3.52	9,110	823	3.24
65°F (18°C)	11,996	735	4.78	11,276	749	4.41	10,938	764	4.19	10,609	780	3.99	10,291	795	3.79	9,982	811	3.61	9,383	827	3.32
75°F (24°C)	12,355	738	4.90	11,614	753	4.52	11,266	768	4.30	10,928	784	4.09	10,600	799	3.89	10,282	815	3.70	9,665	832	3.41

### Cooling Capacity Data

TC: Total Capacity PI: Power Input

Outdoor Air Temp DB	Indoor Temperature (°F, DB)																				
	64 / 53			68 / 57			72 / 61			77 / 64			80 / 67			82 / 70			86 / 72		
	TC (Btu/h)	PI (W)	EER2	TC (Btu/h)	PI (W)	EER2	TC (Btu/h)	PI (W)	EER2	TC (Btu/h)	PI (W)	EER2	TC (Btu/h)	PI (W)	EER2	TC (Btu/h)	PI (W)	EER2	TC (Btu/h)	PI (W)	EER2
23°F (-5°C)	3,207	605	5.30	3,346	583	5.74	3,491	561	6.22	3,642	540	6.74	3,800	520	7.30	3,965	501	7.91	4,136	483	8.57
32°F (0°C)	4,170	666	6.26	4,350	641	6.79	4,539	617	7.35	4,735	595	7.96	4,940	573	8.63	5,154	551	9.35	5,377	531	10.13
50°F (10°C)	5,421	726	7.47	5,655	699	8.09	5,900	673	8.77	6,156	648	9.50	6,422	624	10.29	6,700	601	11.15	6,990	579	12.08
68°F (20°C)	7,047	784	8.99	7,352	755	9.74	7,670	727	10.55	8,002	700	11.43	8,349	674	12.39	8,710	649	13.42	9,087	625	14.54
86°F (30°C)	7,751	839	9.24	8,087	808	10.01	8,437	778	10.85	8,803	749	11.75	9,184	721	12.73	9,581	694	13.80	9,996	669	14.95
95°F (35°C)	7,596	872	8.71	7,925	840	9.44	8,268	809	10.22	8,626	779	11.08	9,000	750	12.00	9,390	722	13.00	9,796	696	14.08
104°F (40°C)	7,444	907	8.21	7,767	873	8.89	8,103	841	9.63	8,454	810	10.44	8,820	780	11.31	9,202	751	12.25	9,600	723	13.27
110°F (43°C)	7,370	925	7.97	7,689	891	8.63	8,022	858	9.35	8,369	826	10.13	8,732	796	10.98	9,110	766	11.89	9,504	738	12.88
115°F (46°C)	7,296	953	7.66	7,612	918	8.30	7,942	884	8.99	8,286	851	9.74	8,644	819	10.55	9,019	789	11.43	9,409	760	12.38

Heating and cooling capacities and power usage are measured under the assumption of indoor humidity of 46%.

\*Cooling capacities under low ambient temperatures below 23°F (-5°C) are tested when using wind baffle on outdoor unit.

For more information visit us:

[GEAppliancesAirAndWater.com](http://GEAppliancesAirAndWater.com)

©Copyright 2025 GE Appliances, a Haier Company. GE is a trademark of the General Electric Company. Manufactured under trademark license. GE Appliances has a policy of continuous improvement of its products and reserves the right to change materials and specifications without notice.



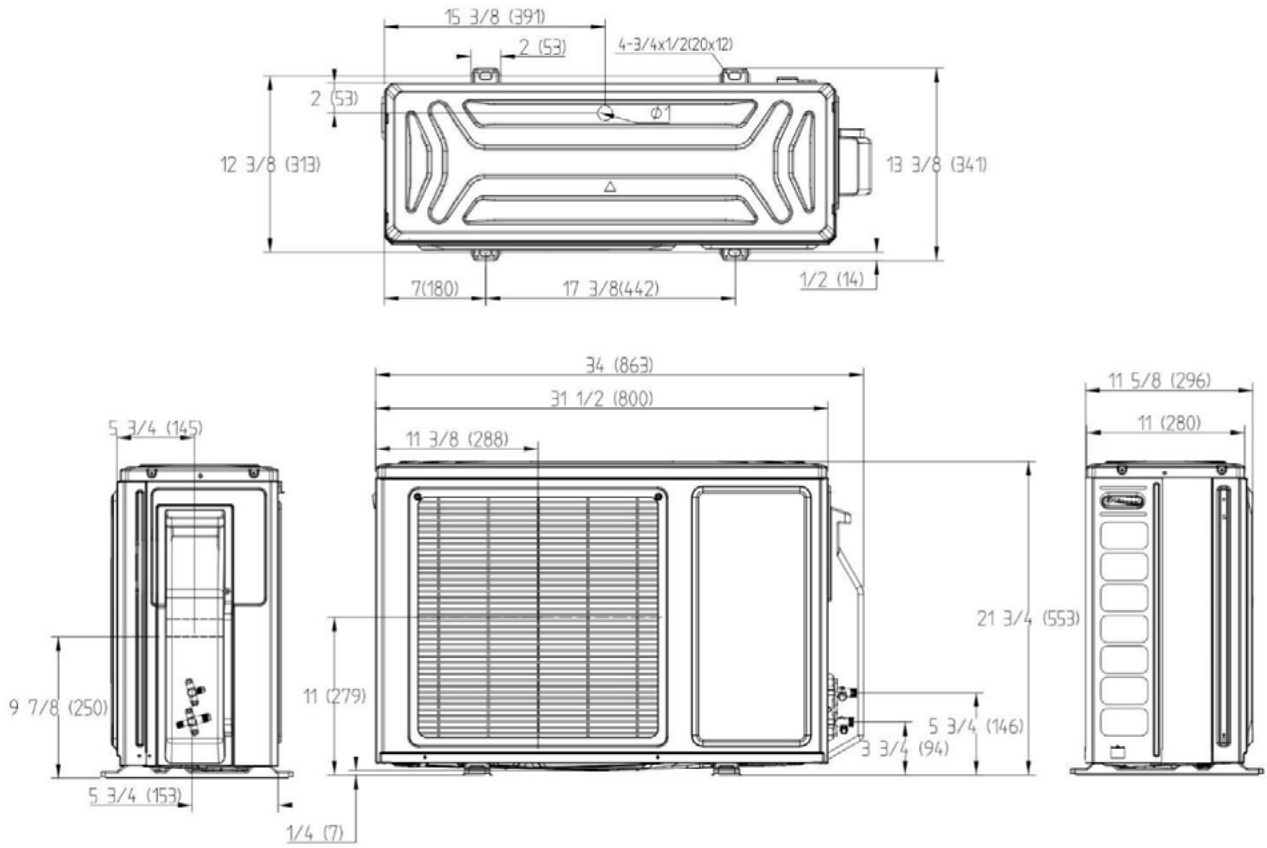


GE APPLIANCES

# SINGLE-ZONE DUCTLESS HEAT PUMP SYSTEM HIGHWALL

# 09K

## 1G09CB1BEA



Note: Dimensions are shown in inches (millimeters)

For more information visit us:

[GEAppliancesAirAndWater.com](http://GEAppliancesAirAndWater.com)

©Copyright 2025 GE Appliances, a Haier Company. GE is a trademark of the General Electric Company. Manufactured under trademark license. GE Appliances has a policy of continuous improvement of its products and reserves the right to change materials and specifications without notice.



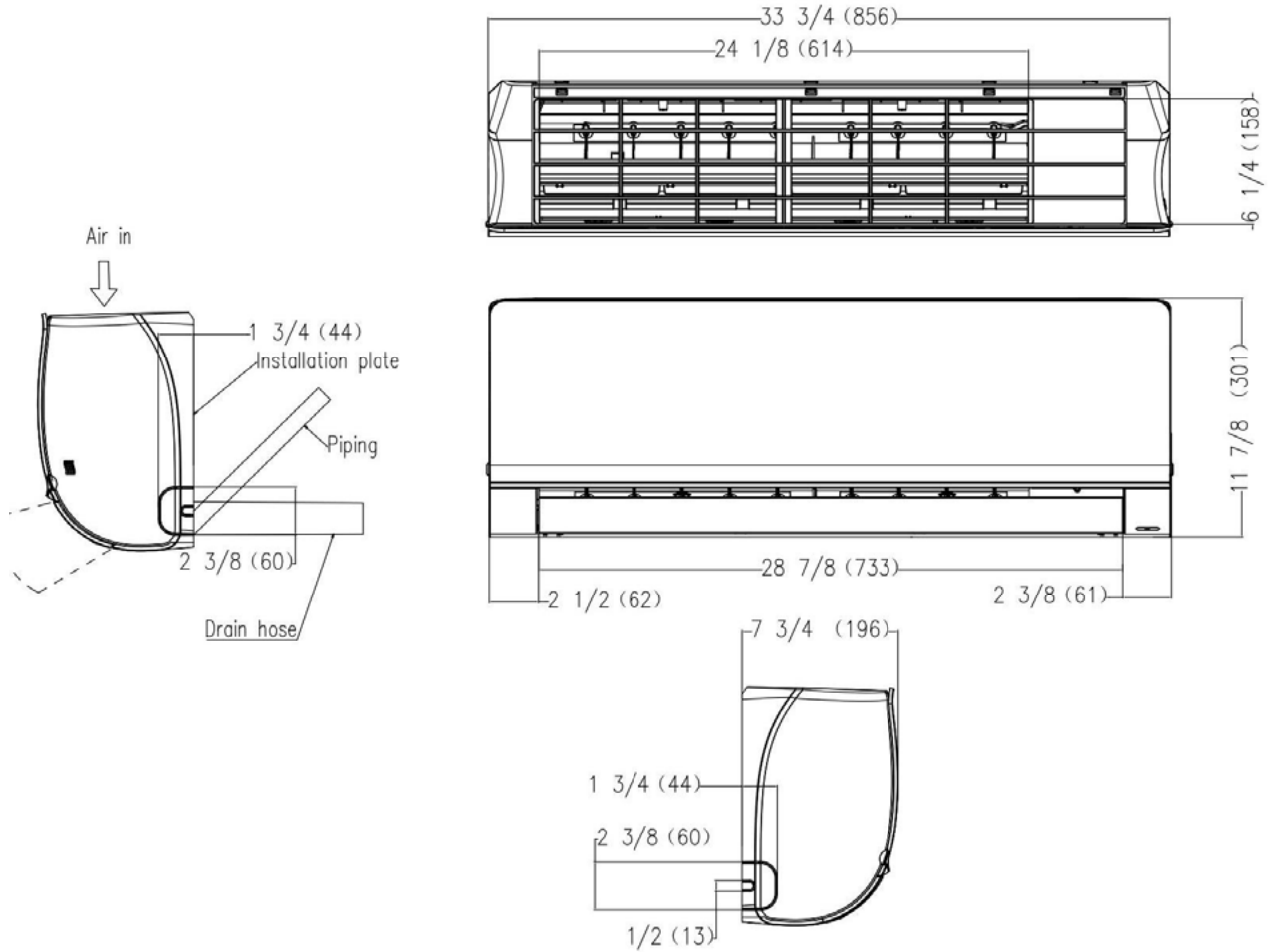


GE APPLIANCES

# SINGLE-ZONE DUCTLESS HEAT PUMP SYSTEM HIGHWALL

# 09K

## GS09WB1BEA



Note: Dimensions are shown in inches (millimeters)

### SUBMITTAL REVISION HISTORY

03-06-25: Submittal release.

For more information visit us:

[GEAppliancesAirAndWater.com](http://GEAppliancesAirAndWater.com)

©Copyright 2025 GE Appliances, a Haier Company. GE is a trademark of the General Electric Company. Manufactured under trademark license. GE Appliances has a policy of continuous improvement of its products and reserves the right to change materials and specifications without notice.

