



GE APPLIANCES

SINGLE-ZONE DUCTLESS HEAT PUMP SYSTEM HIGHWALL

18K

SUBMITTAL

Job Name: _____
 Purchaser: _____
 Submitted To: _____
 Construction: _____
 Reference: _____

Approval: _____
 Date: _____
 Submitted By: _____
 Unit: _____
 Drawing #: _____



Outdoor Model:
1G18CB2BEA



Indoor Model:
GS18WB2BEA



Outdoor Accessories

Front Wind Baffle	UAWB15GA
Side Wind Baffle	UASWB15GA
Back Wind Baffle	UAWB15GA
Top Cover	UATC20GA
Central Controller	UACT32A

Indoor Accessories

Wired Controller	GACT17B
Refrigerant Detection Sensor (RDS)	UALS01A
Remote Controller	WJ26X35395

Specifications

Operating Range	Cooling (Without Wind Baffle or Top Cover)	23-115°F (-5-46°C)
	Heating	-4-75°F (-20-24°C)
Power	Voltage, Cycle, Phase (V/Hz/-)	208-230/60/1
	Rated Capacity Btu/hr	17,000
Cooling	Capacity Range Btu/hr	6,000-17,500
	SEER2 / EER2	20/12
	Rated Power Input W	1,417
	Moisture Removal Pt./hr.	3.6
Heating	Rated Heating Capacity 47°F Btu/hr	19,000
	Heating Capacity Range Btu/hr	6,000-21,000
	COP 5°F	1.8
	Rated Heating Capacity 5°F Btu/hr	15,200
Outdoor Unit	HSPF2 (IV) / HSPF2 (V)	9.5/7.8
	Rated Power Input W	1,547
	Compressor	DC Inverter Rotary
	Maximum Fuse Size A	20
	Minimum Circuit Amp A	15
	Outdoor Noise Level dB	58
Indoor Unit	Dimension: HxWxD in (mm)	25 1/4 x 35 3/8 x 12 (642 x 898 x 306)
	Carton Dimension: HxWxD in (mm)	27 1/4 x 37 1/4 x 15 3/8 (691 x 945 x 392)
	Weight (Net/Ship) - lbs (kg)	90.47/103.26 (41/46.8)
	Basepan Heater	No
	Fan Speed Stages	5 + Auto
	Airflow CFM: Cooling (Turbo/High/Med/Low/Quiet)	570/520/480/420/330
	Indoor Motor Speed RPM: Cooling (Turbo/High/Med/Low/Quiet)	1250/1150/1050/950/800
	Indoor Sound Level dB: Cooling (Turbo/High/Med/Low/Quiet)	50/46/44/40/35
	Airflow CFM: Heating (Turbo/High/Med/Low/Quiet)	570/520/450/380/310
	Indoor Motor Speed RPM: Heating (Turbo/High/Med/Low/Quiet)	1250/1150/1025/900/750
	Indoor Sound Level dB: Heating (Turbo/High/Med/Low/Quiet)	48/46/41/38/33
	Dimension: H x W x D in (mm)	12 7/8 x 39 3/8 x 8 3/4 (327 x 999 x 223)
	Carton Dimension: H x W x D in (mm)	12 3/8 x 43 1/4 x 16 1/2 (313 x 1100 x 420)
	Weight (Net/Ship) - lbs (kg)	27.8/34.64 (12.6/15.7)
Drain Pipe Size O.D in	5/8	
WiFi*	Built-in	
Factory-Installed Refrigerant Detection Sensor (RDS)	No	
Refrigerant Detection Sensor (RDS) Compatible	Yes	
Refrigerant Line	Refrigerant	R454B
	Connections	Flare
	Liquid O.D. in	1/4
	Suction O.D. in	1/2
	Factory Charge Oz	45.9
Maximum Line Length Ft / m	83/25	
Maximum Height Ft / m	50/15	

*WiFi includes SmartHQ™ Home and SmartHQ™ Service compatibility.

For more information visit us:
GEAppliancesAirAndWater.com

©Copyright 2025 GE Appliances, a Haier Company. GE is a trademark of the General Electric Company. Manufactured under trademark license. GE Appliances has a policy of continuous improvement of its products and reserves the right to change materials and specifications without notice.





GE APPLIANCES

SINGLE-ZONE DUCTLESS HEAT PUMP SYSTEM HIGHWALL

18K

1G18CB2BEA/ GS18WB2BEA

Heating Capacity Data

TC: Total Capacity PI: Power Input

Outdoor Air Temp DB	Indoor Temperature (°F, DB)																				
	60			64			68			70			72			75			79		
	TC (Btu/h)	PI (W)	COP	TC (Btu/h)	PI (W)	COP	TC (Btu/h)	PI (W)	COP	TC (Btu/h)	PI (W)	COP	TC (Btu/h)	PI (W)	COP	TC (Btu/h)	PI (W)	COP	TC (Btu/h)	PI (W)	COP
-4°F (-20°C)	12,890	2,175	1.74	12,118	2,220	1.60	11,753	2,265	1.52	11,400	2,311	1.45	11,057	2,358	1.37	10,725	2,407	1.31	10,083	2,456	1.20
0°F (-18°C)	15,914	2,306	2.02	14,961	2,353	1.86	14,512	2,401	1.77	14,075	2,450	1.68	13,652	2,500	1.60	13,242	2,551	1.52	12,449	2,603	1.40
5°F (-15°C)	17,186	2,329	2.16	16,157	2,377	1.99	15,671	2,426	1.89	15,200	2,475	1.80	14,743	2,526	1.71	14,300	2,577	1.63	13,443	2,630	1.50
14°F (-10°C)	18,217	2,339	2.28	17,126	2,387	2.10	16,611	2,435	2.00	16,112	2,485	1.90	15,627	2,536	1.81	15,158	2,587	1.72	14,250	2,640	1.58
23°F (-5°C)	19,310	2,348	2.41	18,154	2,396	2.22	17,608	2,445	2.11	17,079	2,495	2.01	16,565	2,546	1.91	16,067	2,598	1.81	15,105	2,651	1.67
32°F (0°C)	20,469	2,247	2.67	19,243	2,293	2.46	18,664	2,340	2.34	18,103	2,387	2.22	17,559	2,436	2.11	17,031	2,486	2.01	16,011	2,537	1.85
41°F (5°C)	21,697	2,043	3.11	20,398	2,084	2.87	19,784	2,127	2.73	19,189	2,170	2.59	18,612	2,215	2.46	18,053	2,260	2.34	16,972	2,306	2.16
47°F (8°C)	21,483	1,456	4.32	20,196	1,486	3.98	19,589	1,516	3.79	19,000	1,547	3.60	18,429	1,579	3.42	17,875	1,611	3.25	16,804	1,644	3.00
55°F (13°C)	22,127	1,463	4.43	20,802	1,493	4.08	20,176	1,524	3.88	19,569	1,555	3.69	18,981	1,587	3.51	18,410	1,619	3.33	17,308	1,652	3.07
65°F (18°C)	22,790	1,471	4.54	21,425	1,501	4.18	20,781	1,531	3.98	20,156	1,563	3.78	19,550	1,594	3.59	18,962	1,627	3.42	17,827	1,660	3.15
75°F (24°C)	23,473	1,478	4.65	22,067	1,508	4.29	21,404	1,539	4.08	20,760	1,570	3.87	20,136	1,602	3.68	19,530	1,635	3.50	18,361	1,669	3.23

Cooling Capacity Data

TC: Total Capacity PI: Power Input

Outdoor Air Temp DB	Indoor Temperature (°F, DB)																				
	64 / 53			68 / 57			72 / 61			77 / 64			80 / 67			82 / 70			86 / 72		
	TC (Btu/h)	PI (W)	EER2	TC (Btu/h)	PI (W)	EER2	TC (Btu/h)	PI (W)	EER2	TC (Btu/h)	PI (W)	EER2	TC (Btu/h)	PI (W)	EER2	TC (Btu/h)	PI (W)	EER2	TC (Btu/h)	PI (W)	EER2
23°F (-5°C)	15,873	1,143	13.89	16,561	1,101	15.03	17,278	1,060	16.30	18,026	1,020	17.67	18,806	982	19.15	19,620	947	20.73	20,470	913	22.43
32°F (0°C)	15,556	1,259	12.36	16,230	1,213	13.38	16,932	1,167	14.51	17,665	1,124	15.72	18,430	1,082	17.04	19,228	1,042	18.44	20,061	1,005	19.96
50°F (10°C)	15,245	1,373	11.10	15,905	1,323	12.02	16,594	1,273	13.04	17,312	1,225	14.13	18,062	1,180	15.31	18,844	1,137	16.58	19,660	1,096	17.94
68°F (20°C)	14,940	1,483	10.08	15,587	1,429	10.91	16,262	1,375	11.83	16,966	1,323	12.82	17,701	1,274	13.90	18,467	1,228	15.04	19,267	1,184	16.28
86°F (30°C)	14,642	1,586	9.23	15,276	1,528	10.00	15,937	1,470	10.84	16,627	1,415	11.75	17,347	1,362	12.73	18,098	1,313	13.78	18,881	1,266	14.92
95°F (35°C)	14,349	1,649	8.70	14,970	1,589	9.42	15,618	1,529	10.21	16,295	1,472	11.07	17,000	1,417	12.00	17,736	1,366	12.99	18,504	1,316	14.06
104°F (40°C)	14,062	1,715	8.20	14,671	1,653	8.88	15,306	1,590	9.62	15,969	1,531	10.43	16,660	1,474	11.30	17,381	1,420	12.24	18,134	1,369	13.24
110°F (43°C)	13,921	1,750	7.95	14,524	1,686	8.61	15,153	1,623	9.34	15,809	1,562	10.12	16,494	1,504	10.97	17,208	1,449	11.87	17,953	1,397	12.85
115°F (46°C)	13,782	1,803	7.64	14,379	1,738	8.28	15,001	1,672	8.97	15,651	1,609	9.72	16,329	1,549	10.54	17,036	1,493	11.41	17,773	1,439	12.35

Heating and cooling capacities and power usage are measured under the assumption of indoor humidity of 46%.

*Cooling capacities under low ambient temperatures below 23°F (-5°C) are tested when using wind baffle on outdoor unit.

For more information visit us:

GEAppliancesAirAndWater.com

©Copyright 2025 GE Appliances, a Haier Company. GE is a trademark of the General Electric Company. Manufactured under trademark license. GE Appliances has a policy of continuous improvement of its products and reserves the right to change materials and specifications without notice.



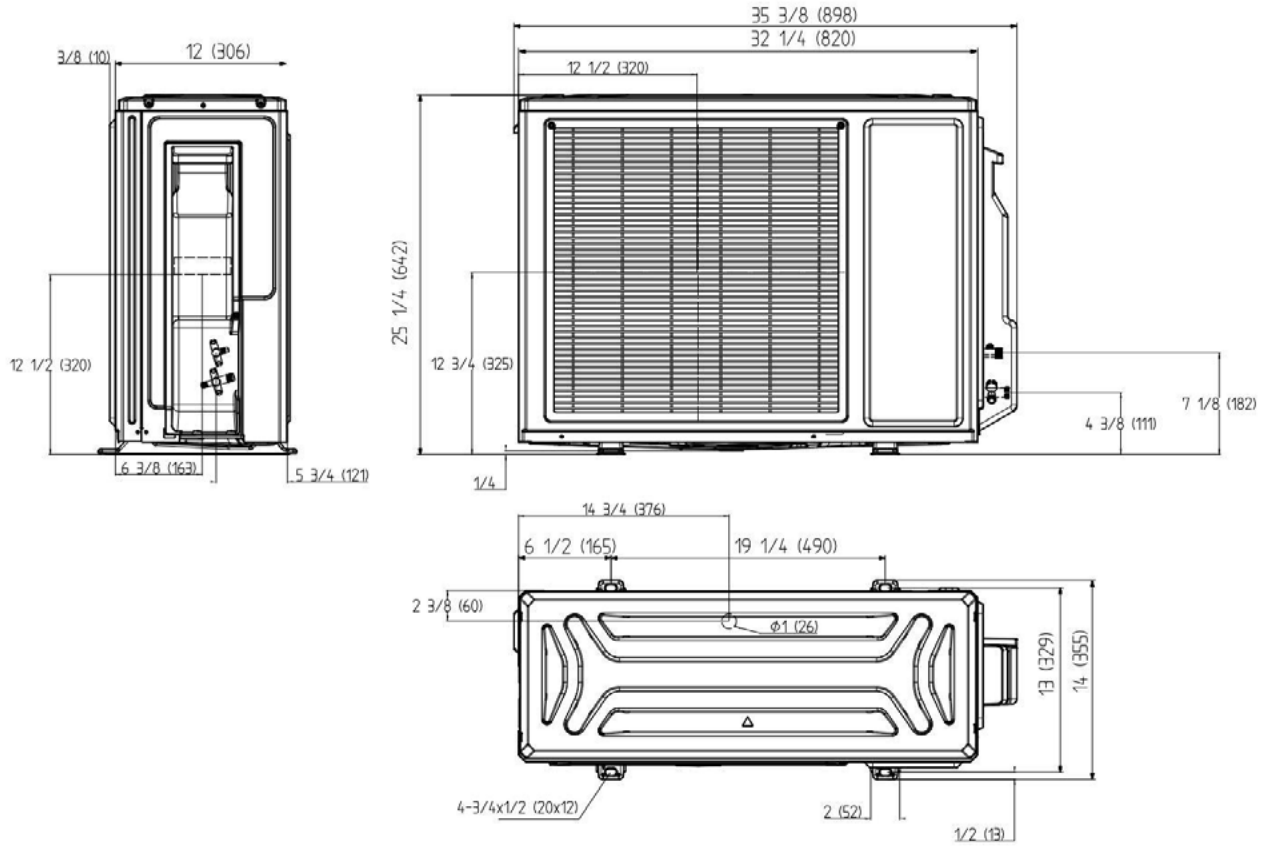


GE APPLIANCES

SINGLE-ZONE DUCTLESS HEAT PUMP SYSTEM HIGHWALL

18K

1G18CB2BEA



Note: Dimensions are shown in inches (millimeters)

For more information visit us:

GEAppliancesAirAndWater.com

©Copyright 2025 GE Appliances, a Haier Company. GE is a trademark of the General Electric Company. Manufactured under trademark license. GE Appliances has a policy of continuous improvement of its products and reserves the right to change materials and specifications without notice.



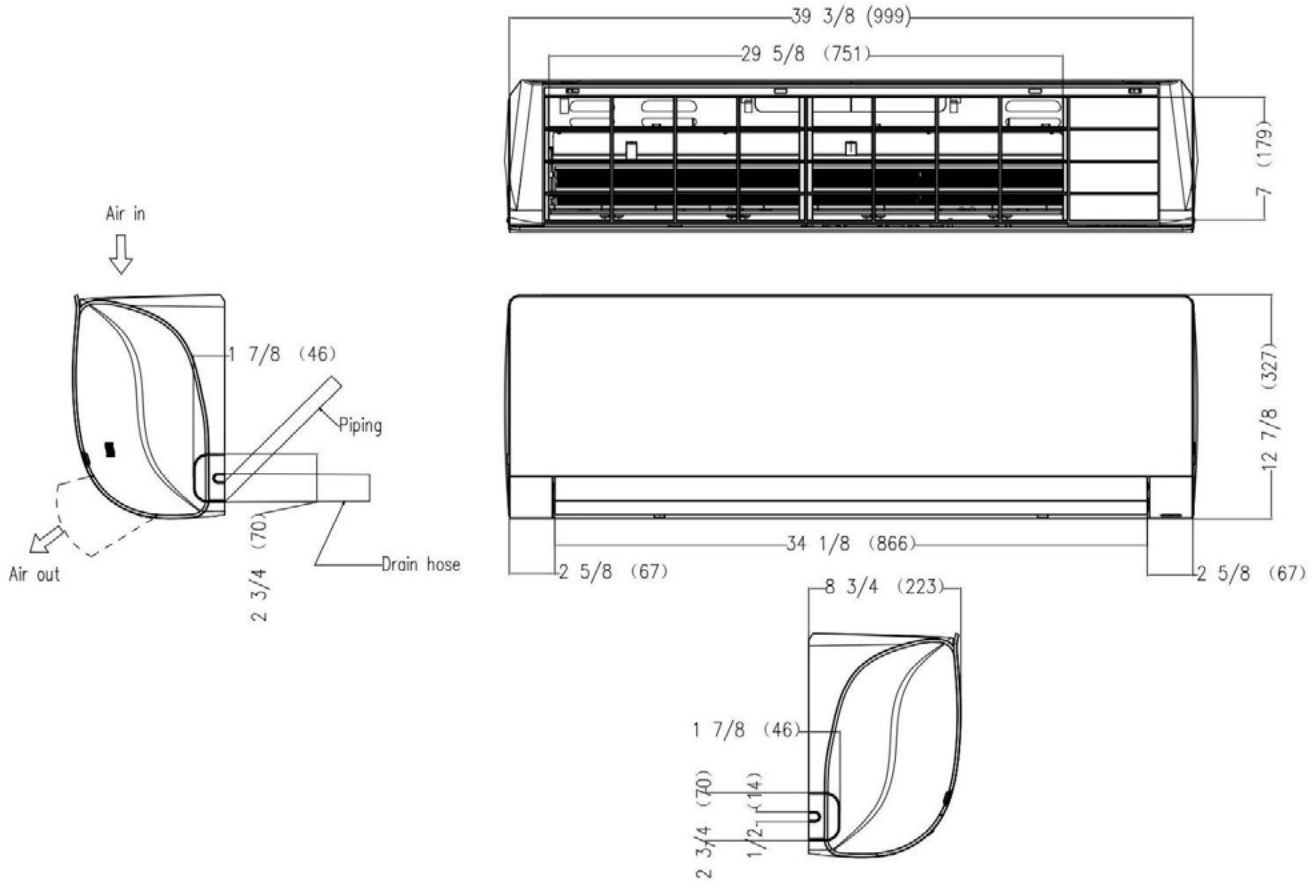


GE APPLIANCES

SINGLE-ZONE DUCTLESS HEAT PUMP SYSTEM HIGHWALL

18K

GS18WB2BEA



Note: Dimensions are shown in inches (millimeters)

SUBMITTAL REVISION HISTORY

03-21-25: Submittal release.

For more information visit us:

GEAppliancesAirAndWater.com

©Copyright 2025 GE Appliances, a Haier Company. GE is a trademark of the General Electric Company. Manufactured under trademark license. GE Appliances has a policy of continuous improvement of its products and reserves the right to change materials and specifications without notice.

