



GE APPLIANCES

MULTI-ZONE DUCTLESS HEAT PUMP SYSTEM OUTDOOR

5 ZONE

SUBMITTAL

Job Name: _____
 Purchaser: _____
 Submitted To: _____
 Construction: _____
 Reference: _____

Approval: _____
 Date: _____
 Submitted By: _____
 Unit: _____
 Drawing #: _____



5G42ED2BEA



Outdoor Accessories

Front Wind Baffle	UAWB51GA
Side Wind Baffle	UASWB51GA
Back Wind Baffle	UAWB51GA
Top Cover	UATC51GA
Central Controller	UACT32A

Specifications

Operating Range*	Cooling without Wind Baffle °F (°C)	14~115°F (-10~46°C)
	Heating °F	-22~75°F (-30~24°C)
Power	Voltage, Cycle, Phase (V/Hz/-)	208-230/60/1
	Operating Voltage Range	187-253 VAC
Cooling Non-Ducted	Rated Capacity Btu/hr	42,000
	Capacity Range Btu/hr	6,500-42,500
	SEER2 / EER2	20.5/10.5
	Rated Power Input W	4,000
Heating Non-Ducted	Rated Heating capacity 47°F Btu/hr	42,500
	Heating Capacity Range Btu/hr	6,500-43,500
	COP @ 5°F	1.8
	HSPF2 (IV) / HSPF2(V)	9.5/7.4
Cooling Ducted	Rated Capacity Btu/hr	42,000
	Capacity Range Btu/hr	6,500-42,500
	SEER2 / EER2	17.4/10.2
Heating Ducted	Rated Heating capacity 47°F Btu/hr	42,500
	Heating Capacity Range Btu/hr	6,500-43,500
	COP @ 5°F	1.8
	HSPF2 (IV) / HSPF2(V)	9.5/7.4
Outdoor Unit	Compressor	DC Inverter Rotary
	Maximum Fuse Size A	40
	Minimum Circuit Amp A	36
	Outdoor Noise Level dB	62
	Dimension: HxWxD in (mm)	33 1/16 x 41 3/4 x 15 13/16 (840 x 1060 x 402)
	Carton Dimension: HxWxD in (mm)	40 15/16 x 45 11/16 x 20 1/2 (1040 x 1160 x 520)
	Weight Ship / Net - lbs (kg)	201/245 (91/111)
	Basepan Heater	Yes
	Refrigerant	R454B
	Connections	Flare
Refrigerant Line	Liquid O.D. in	1/4 • 1/4 • 1/4 • 1/4 • 1/4
	Suction O.D. in	3/8 • 3/8 • 3/8 • 1/2 • 1/2
	Ships with Lineset Adapters*	WJ01X35717 (1/2" x 3/8") (x2)
	Factory Charge Oz	123
	Maximum Line Length Ft / m	262/80
	Maximum Height Ft / m	50/15
	Minimum Line Length for Each Individual Indoor Unit Ft / m	10/3
Maximum Line Length for Each Individual Indoor Unit Ft / m	82/25	
Maximum Line Length without Additional Charge Ft / m	164/50	

For more information visit us:
GEAppliancesAirAndWater.com

©Copyright 2025 GE Appliances, a Haier Company. GE is a trademark of the General Electric Company. Manufactured under trademark license. GE Appliances has a policy of continuous improvement of its products and reserves the right to change materials and specifications without notice.



*See Lineset Adapter Application Guide on following page for adapter usage requirements.



GE APPLIANCES

MULTI-ZONE DUCTLESS HEAT PUMP SYSTEM OUTDOOR

5 ZONE

5G42ED2BEA Lineset Adapter Application Guide

	Combinations							
	Port E		Port D		Port C		Port B	Port A
	Port Size: 1/4" x 1/2"	Required Adapter*	Port Size: 1/4" x 1/2"	Required Adapter*	Port Size: 1/4" x 3/8"	Required Adapter*	Port Size: 1/4" x 3/8"	Port Size: 1/4" x 3/8"
Two Zone	18K	-	-	-	9K	-	-	-
	18K	-	-	-	12K	-	-	-
	18K	-	-	-	15K	-	-	-
	18K	-	18K	-	-	-	-	-
	24K	A, C	-	-	7K	-	-	-
	24K	A, C	-	-	9K	-	-	-
	24K	A, C	-	-	12K	-	-	-
	24K	A, C	-	-	15K	-	-	-
	24K	A, C	-	18K	-	-	-	-
	24K	A, C	-	24K	A, C	-	-	-
Three Zone	-	-	-	-	9K	-	9K	9K
	-	-	-	-	12K	-	9K	9K
	-	-	-	-	12K	-	9K	7K
	-	-	-	-	12K	-	12K	7K
	-	-	-	-	12K	-	12K	9K
	-	-	-	-	12K	-	12K	12K
	-	-	-	-	15K	-	7K	7K
	-	-	-	-	15K	-	9K	7K
	-	-	-	-	15K	-	9K	9K
	-	-	-	-	15K	-	12K	7K
	-	-	-	-	15K	-	12K	9K
	-	-	-	-	15K	-	12K	12K
	-	-	-	-	15K	-	15K	7K
	-	-	-	-	15K	-	15K	9K
	-	-	-	-	15K	-	15K	12K
	-	-	-	-	15K	-	15K	15K
	-	-	-	-	7K	-	7K	-
	18K	-	-	-	9K	-	7K	-
	18K	-	-	-	9K	-	9K	-
	18K	-	-	-	12K	-	7K	-
	18K	-	-	-	12K	-	9K	-
	18K	-	-	-	12K	-	12K	-
	18K	-	-	-	15K	-	7K	-
	18K	-	-	-	15K	-	9K	-
	18K	-	-	-	15K	-	12K	-
	18K	-	-	-	15K	-	15K	-
	18K	-	18K	-	7K	-	-	-
	18K	-	18K	-	9K	-	-	-
	18K	-	18K	-	12K	-	-	-
	18K	-	18K	-	15K	-	-	-
18K	-	18K	-	18K	D	-	-	
24K	A, C	-	-	7K	-	7K	-	
24K	A, C	-	-	9K	-	7K	-	
24K	A, C	-	-	9K	-	9K	-	
24K	A, C	-	-	12K	-	7K	-	
24K	A, C	-	-	12K	-	9K	-	
24K	A, C	-	-	12K	-	12K	-	
24K	A, C	-	-	15K	-	7K	-	
24K	A, C	-	-	15K	-	9K	-	
24K	A, C	-	-	15K	-	12K	-	
24K	A, C	-	-	15K	-	15K	-	
24K	A, C	-	18K	7K	-	-	-	
24K	A, C	-	18K	9K	-	-	-	
24K	A, C	-	18K	12K	-	-	-	
24K	A, C	-	18K	15K	-	-	-	
Four Zone	7K	E	-	-	7K	-	7K	7K
	9K	E	-	-	7K	-	7K	7K
	9K	E	-	-	9K	-	7K	7K
	9K	E	-	-	9K	-	9K	7K
	9K	E	-	-	9K	-	9K	9K
	12K	E	-	-	7K	-	7K	7K
	12K	E	-	-	9K	-	9K	7K
	12K	E	-	-	9K	-	9K	7K
	12K	E	-	-	9K	-	9K	9K
	12K	E	-	-	12K	-	7K	7K
	12K	E	-	-	12K	-	9K	7K
	12K	E	-	-	12K	-	9K	7K
	12K	E	-	-	12K	-	12K	7K
	12K	E	-	-	12K	-	12K	9K
	12K	E	-	-	12K	-	12K	12K
	15K	E	-	-	7K	-	7K	7K
	15K	E	-	-	9K	-	7K	7K
	15K	E	-	-	9K	-	9K	7K
	15K	E	-	-	9K	-	9K	9K
	15K	E	-	-	12K	-	7K	7K
	15K	E	-	-	12K	-	9K	7K
	15K	E	-	-	12K	-	12K	7K
	15K	E	-	-	12K	-	12K	9K
	15K	E	-	-	15K	-	7K	7K
15K	E	-	-	15K	-	9K	7K	

	Combinations							
	Port E		Port D		Port C		Port B	Port A
	Port Size: 1/4" x 1/2"	Required Adapter*	Port Size: 1/4" x 1/2"	Required Adapter*	Port Size: 1/4" x 3/8"	Required Adapter*	Port Size: 1/4" x 3/8"	Port Size: 1/4" x 3/8"
Four Zone (Cont'd)	15K	E	-	-	15K	-	9K	9K
	15K	E	-	-	15K	-	12K	9K
	15K	E	-	-	15K	-	12K	12K
	15K	E	-	-	15K	-	15K	12K
	18K	-	-	-	7K	-	7K	7K
	18K	-	-	-	9K	-	7K	7K
	18K	-	-	-	9K	-	9K	7K
	18K	-	-	-	9K	-	9K	9K
	18K	-	-	-	12K	-	7K	7K
	18K	-	-	-	12K	-	9K	7K
	18K	-	-	-	12K	-	9K	7K
	18K	-	-	-	12K	-	12K	7K
	18K	-	-	-	15K	-	7K	7K
	18K	-	-	-	15K	-	9K	7K
	18K	-	-	-	15K	-	12K	7K
	18K	-	-	-	15K	-	12K	9K
	18K	-	-	-	15K	-	12K	12K
	18K	-	-	-	18K	-	7K	-
	18K	-	-	-	18K	-	9K	-
	18K	-	-	-	18K	-	9K	-
	18K	-	-	-	18K	-	12K	-
	18K	-	-	-	18K	-	12K	-
	24K	A, C	-	-	7K	-	7K	7K
	24K	A, C	-	-	9K	-	7K	7K
	24K	A, C	-	-	9K	-	9K	7K
	24K	A, C	-	-	9K	-	9K	9K
	24K	A, C	-	-	12K	-	7K	7K
	24K	A, C	-	-	12K	-	9K	7K
	24K	A, C	-	-	12K	-	9K	9K
	24K	A, C	-	-	12K	-	12K	7K
24K	A, C	-	-	15K	-	7K	7K	
24K	A, C	-	-	15K	-	9K	7K	
24K	A, C	-	-	15K	-	9K	7K	
24K	A, C	-	18K	7K	-	7K	-	
Five Zone	7K	E	-	-	7K	-	7K	7K
	9K	E	-	-	7K	-	7K	7K
	9K	E	-	-	9K	-	7K	7K
	9K	E	-	-	9K	-	9K	7K
	9K	E	-	-	9K	-	9K	9K
	12K	E	-	-	7K	-	7K	7K
	12K	E	-	-	9K	-	9K	7K
	12K	E	-	-	9K	-	9K	7K
	12K	E	-	-	9K	-	9K	9K
	12K	E	-	-	12K	-	7K	7K
	12K	E	-	-	12K	-	9K	7K
	12K	E	-	-	12K	-	9K	7K
	12K	E	-	-	12K	-	12K	7K
	12K	E	-	-	12K	-	12K	9K
	12K	E	-	-	12K	-	12K	12K
	18K	-	-	-	7K	-	7K	7K
	18K	-	-	-	9K	-	7K	7K
	18K	-	-	-	9K	-	9K	7K
	18K	-	-	-	9K	-	9K	9K
	18K	-	-	-	12K	-	7K	7K
	18K	-	-	-	12K	-	9K	7K
	18K	-	-	-	12K	-	9K	7K
	18K	-	-	-	12K	-	12K	7K
	18K	-	-	-	12K	-	12K	9K
18K	-	-	-	12K	-	12K	12K	
18K	-	-	-	15K	-	7K	7K	
18K	-	-	-	15K	-	9K	7K	
18K	-	-	-	15K	-	9K	7K	
18K	-	-	-	15K	-	9K	9K	
24K	A, C	-	-	7K	-	7K	7K	
24K	A, C	-	-	9K	-	7K	7K	
24K	A, C	-	-	9K	-	9K	7K	
24K	A, C	-	-	9K	-	9K	9K	
24K	A, C	-	-	12K	-	7K	7K	
24K	A, C	-	-	12K	-	9K	7K	
24K	A, C	-	-	12K	-	12K	7K	
24K	A, C	-	-	12K	-	12K	9K	
24K	A, C	-	-	12K	-	12K	12K	
24K	A, C	-	-	15K	-	7K	7K	
24K	A, C	-	-	15K	-	9K	7K	
24K	A, C	-	-	15K	-	9K	7K	
24K	A, C	-	-	15K	-	9K	9K	

These 24K models require 3/8" liquid and 5/8" vapor linesets
US24LB2BE**, US24MB2BE**

These 24K models require 1/4" liquid and 1/2" vapor linesets
GS24WB2BE**, GS24WP2BE**

All 18K models require 1/4" liquid and 1/2" vapor linesets.

All 7K, 9K, 12K and 15K models require 1/4" liquid and 3/8" vapor linesets.

Adapter	Part#	Description	Ships with ODU
A	WJ01X35713	1/4" to 3/8" (Liquid line for ports C & D)	No
C	WJ01X35715	1/2" to 5/8" (Vapor line for port D)	No
D	WJ01X35716	3/8" to 1/2" (Vapor line for port C)	No
E	WJ01X35717	1/2" to 3/8" (Vapor line for port C or D)	Yes (x2)

For more information visit us:

GEAppliancesAirAndWater.com

©Copyright 2025 GE Appliances, a Haier Company. GE is a trademark of the General Electric Company. Manufactured under trademark license. GE Appliances has a policy of continuous improvement of its products and reserves the right to change materials and specifications without notice.





GE APPLIANCES

MULTI-ZONE DUCTLESS HEAT PUMP SYSTEM OUTDOOR

5 ZONE

5G42ED2BEA

Heating Capacity Data (Non-Ducted)

TC: Total Capacity PI: Power Input

Outdoor Air Temp DB	Indoor Temperature (°F, DB)																				
	60			64			68			70			72			75			79		
	TC (Btu/h)	PI (W)	COP	TC (Btu/h)	PI (W)	COP	TC (Btu/h)	PI (W)	COP	TC (Btu/h)	PI (W)	COP	TC (Btu/h)	PI (W)	COP	TC (Btu/h)	PI (W)	COP	TC (Btu/h)	PI (W)	COP
-22°F (-30°C)	25,603	4,746	1.58	25,350	4,843	1.53	25,099	4,992	1.47	25,586	5,255	1.43	24,115	5,360	1.32	23,873	5,414	1.29	23,635	5,468	1.27
-15°F (-26°C)	31,224	4,843	1.89	30,914	4,941	1.83	30,608	5,094	1.76	28,429	5,362	1.55	29,408	5,470	1.58	29,114	5,524	1.54	28,823	5,580	1.51
-5°F (-21°C)	32,867	4,941	1.95	32,541	5,042	1.89	32,219	5,198	1.82	31,588	5,472	1.69	30,956	5,581	1.63	30,646	5,637	1.59	30,340	5,694	1.56
0°F (-18°C)	34,597	5,042	2.01	34,254	5,145	1.95	33,915	5,304	1.87	33,250	5,584	1.74	32,585	5,695	1.68	32,259	5,752	1.64	31,937	5,810	1.61
5°F (-15°C)	36,418	5,145	2.07	36,057	5,250	2.01	35,700	5,413	1.93	35,000	5,698	1.80	34,300	5,811	1.73	33,957	5,870	1.70	33,617	5,928	1.66
14°F (-10°C)	38,296	4,732	2.37	37,917	4,828	2.30	37,542	4,977	2.21	36,805	5,239	2.06	36,069	5,344	1.98	35,709	5,398	1.94	35,352	5,452	1.90
23°F (-5°C)	40,102	4,308	2.73	39,705	4,395	2.65	39,312	4,531	2.54	38,541	4,770	2.37	37,770	4,865	2.27	37,392	4,914	2.23	37,018	4,963	2.19
32°F (0°C)	41,871	3,878	3.16	41,457	3,958	3.07	41,046	4,080	2.95	40,241	4,295	2.75	39,436	4,381	2.64	39,042	4,424	2.59	38,652	4,469	2.53
41°F (5°C)	43,640	3,449	3.71	43,208	3,520	3.60	42,781	3,629	3.45	41,942	3,820	3.22	41,103	3,896	3.09	40,692	3,935	3.03	40,285	3,974	2.97
47°F (8°C)	44,221	3,124	4.15	43,784	3,188	4.02	43,350	3,286	3.87	42,500	3,459	3.60	41,650	3,528	3.46	41,234	3,564	3.39	40,821	3,599	3.32
55°F (13°C)	45,548	3,061	4.36	45,097	3,124	4.23	44,651	3,221	4.06	43,775	3,390	3.78	42,900	3,458	3.64	42,471	3,492	3.56	42,046	3,527	3.49
65°F (18°C)	43,271	2,602	4.87	42,842	2,655	4.73	42,418	2,737	4.54	41,586	2,882	4.23	40,755	2,939	4.06	40,347	2,969	3.98	39,944	2,998	3.90
75°F (24°C)	41,107	2,316	5.20	40,700	2,363	5.05	40,297	2,436	4.85	39,507	2,565	4.51	38,717	2,616	4.34	38,330	2,642	4.25	37,946	2,668	4.17

Cooling Capacity Data (Non-Ducted)

TC: Total Capacity PI: Power Input

Outdoor Air Temp DB	Indoor Temperature (°F, DB)																				
	64 / 53			68 / 57			72 / 61			77 / 64			80 / 67			82 / 70			86 / 72		
	TC (Btu/h)	PI (W)	EER2	TC (Btu/h)	PI (W)	EER2	TC (Btu/h)	PI (W)	EER2	TC (Btu/h)	PI (W)	EER2	TC (Btu/h)	PI (W)	EER2	TC (Btu/h)	PI (W)	EER2	TC (Btu/h)	PI (W)	EER2
14°F (-10°C)	14,496	599	24.21	20,709	881	23.52	27,612	1,206	22.89	34,515	1,567	22.03	43,144	2,238	19.28	45,301	2,327	19.46	48,925	2,444	20.02
32°F (0°C)	15,100	630	23.96	21,572	927	23.27	28,763	1,270	22.65	35,953	1,649	21.80	44,942	2,356	19.08	47,189	2,450	19.26	50,964	2,572	19.81
50°F (10°C)	15,567	663	23.46	22,239	976	22.79	29,652	1,337	22.19	37,065	1,736	21.35	46,331	2,480	18.68	48,648	2,579	18.86	52,540	2,708	19.40
68°F (20°C)	15,262	737	20.70	21,803	1,084	20.11	29,071	1,485	19.58	36,338	1,929	18.84	45,423	2,755	16.49	47,694	2,865	16.64	51,510	3,009	17.12
86°F (30°C)	14,818	878	16.88	21,168	1,291	16.40	28,224	1,768	15.96	35,280	2,296	15.37	44,100	3,280	13.45	46,305	3,411	13.57	50,009	3,582	13.96
95°F (35°C)	14,112	1,070	13.19	20,160	1,574	12.81	26,880	2,156	12.47	33,600	2,800	12.00	42,000	4,000	10.50	44,100	4,160	10.60	47,628	4,368	10.90
104°F (40°C)	13,548	1,134	11.94	19,354	1,668	11.60	25,805	2,285	11.29	32,256	2,968	10.87	40,320	4,240	9.51	42,336	4,410	9.60	45,723	4,630	9.88
110°F (43°C)	12,735	1,168	10.90	18,192	1,718	10.59	24,257	2,354	10.30	30,321	3,057	9.92	37,901	4,367	8.68	39,796	4,542	8.76	42,980	4,769	9.01
115°F (46°C)	11,461	1,145	10.01	16,373	1,684	9.72	21,831	2,307	9.46	27,289	2,996	9.11	34,111	4,280	7.97	35,816	4,451	8.05	38,682	4,674	8.28

Heating and cooling capacities and power usage are measured under the assumption of indoor humidity of 46%.

*Cooling capacities under low ambient temperatures below 23°F (-5°C) are tested when using wind baffle on outdoor unit.

For more information visit us:

GEAppliancesAirAndWater.com

©Copyright 2025 GE Appliances, a Haier Company. GE is a trademark of the General Electric Company. Manufactured under trademark license. GE Appliances has a policy of continuous improvement of its products and reserves the right to change materials and specifications without notice.





GE APPLIANCES

MULTI-ZONE DUCTLESS HEAT PUMP SYSTEM OUTDOOR

5 ZONE

5G42ED2BEA

Heating Capacity Data (Ducted)

TC: Total Capacity PI: Power Input

Outdoor Air Temp DB	Indoor Temperature (°F, DB)																				
	60			64			68			70			72			75			79		
	TC (Btu/h)	PI (W)	COP	TC (Btu/h)	PI (W)	COP	TC (Btu/h)	PI (W)	COP	TC (Btu/h)	PI (W)	COP	TC (Btu/h)	PI (W)	COP	TC (Btu/h)	PI (W)	COP	TC (Btu/h)	PI (W)	COP
-22°F (-30°C)	25,603	4746	1.58	25350	4843	1.53	25099	4992	1.47	25586	5255	1.43	24115	5360	1.32	23873	5414	1.29	23635	5468	1.27
-15°F (-26°C)	31,224	4843	1.89	30914	4941	1.83	30608	5094	1.76	28429	5362	1.55	29408	5470	1.58	29114	5524	1.54	28823	5580	1.51
-5°F (-21°C)	32,867	4941	1.95	32541	5042	1.89	32219	5198	1.82	31588	5472	1.69	30956	5581	1.63	30646	5637	1.59	30340	5694	1.56
0°F (-18°C)	34597	5042	2.01	34254	5145	1.95	33915	5304	1.87	33250	5584	1.74	32585	5695	1.68	32259	5752	1.64	31937	5810	1.61
5°F (-15°C)	36418	5145	2.07	36057	5250	2.01	35700	5413	1.93	35000	5698	1.80	34300	5811	1.73	33957	5870	1.70	33617	5928	1.66
14°F (-10°C)	38296	4751	2.36	37917	4848	2.29	37542	4998	2.20	36805	5261	2.05	36069	5366	1.97	35709	5420	1.93	35352	5474	1.89
23°F (-5°C)	40102	4346	2.70	39705	4435	2.62	39312	4572	2.52	38541	4813	2.35	37770	4909	2.25	37392	4958	2.21	37018	5008	2.17
32°F (0°C)	41871	3937	3.12	41457	4017	3.02	41046	4141	2.90	40241	4359	2.70	39436	4446	2.60	39042	4491	2.55	38652	4536	2.50
41°F (5°C)	43640	3527	3.63	43208	3599	3.52	42781	3710	3.38	41942	3905	3.15	41103	3984	3.02	40692	4023	2.96	40285	4064	2.90
47°F (8°C)	44221	3213	4.03	43784	3279	3.91	43350	3380	3.76	42500	3558	3.50	41650	3629	3.36	41234	3665	3.30	40821	3702	3.23
55°F (13°C)	45548	3149	4.24	45097	3213	4.11	44651	3313	3.95	43775	3487	3.68	42900	3557	3.53	42471	3592	3.46	42046	3628	3.40
65°F (18°C)	43271	2677	4.74	42842	2731	4.60	42418	2816	4.41	41586	2964	4.11	40755	3023	3.95	40347	3053	3.87	39944	3084	3.80
75°F (24°C)	41107	2382	5.06	40700	2431	4.91	40297	2506	4.71	39507	2638	4.39	38717	2691	4.22	38330	2717	4.13	37946	2745	4.05

Cooling Capacity Data (Ducted)

TC: Total Capacity PI: Power Input

Outdoor Air Temp DB	Indoor Temperature (°F, DB)																				
	64 / 53			68 / 57			72 / 61			77 / 64			80 / 67			82 / 70			86 / 72		
	TC (Btu/h)	PI (W)	EER2	TC (Btu/h)	PI (W)	EER2	TC (Btu/h)	PI (W)	EER2	TC (Btu/h)	PI (W)	EER2	TC (Btu/h)	PI (W)	EER2	TC (Btu/h)	PI (W)	EER2	TC (Btu/h)	PI (W)	EER2
14°F (-10°C)	31090	1774	17.53	36576	2016	18.15	39757	2167	18.34	41850	2258	18.54	43144	2304	18.73	44438	2350	18.91	46660	2491	18.73
32°F (0°C)	32385	1867	17.35	38101	2122	17.96	41414	2281	18.15	43593	2376	18.34	44942	2425	18.53	46290	2473	18.71	48604	2622	18.54
50°F (10°C)	33387	1965	16.99	39279	2233	17.59	42694	2401	17.78	44942	2502	17.97	46331	2553	18.15	47721	2604	18.33	50107	2760	18.16
68°F (20°C)	32732	2184	14.99	38509	2482	15.52	41857	2668	15.69	44060	2780	15.85	45423	2836	16.02	46786	2893	16.17	49125	3067	16.02
86°F (30°C)	31779	2600	12.22	37387	2954	12.66	40638	3177	12.79	42777	3309	12.93	44100	3376	13.06	45423	3444	13.19	47694	3651	13.06
95°F (35°C)	30266	3170	9.55	35607	3603	9.88	38703	3874	9.99	40740	4035	10.10	42000	4118	10.20	43260	4200	10.30	45423	4452	10.20
104°F (40°C)	29055	3361	8.65	34182	3819	8.95	37155	4106	9.05	39110	4277	9.14	40320	4365	9.24	41530	4452	9.33	43606	4719	9.24
110°F (43°C)	27312	3461	7.89	32132	3933	8.17	34926	4230	8.26	36764	4406	8.34	37901	4496	8.43	39038	4586	8.51	40990	4861	8.43
115°F (46°C)	24581	3392	7.25	28918	3855	7.50	31433	4145	7.58	33087	4318	7.66	34111	4406	7.74	35134	4494	7.82	36891	4763	7.74

Heating and cooling capacities and power usage are measured under the assumption of indoor humidity of 46%.

*Cooling capacities under low ambient temperatures below 23°F (-5°C) are tested when using wind baffle on outdoor unit.

For more information visit us:

GEAppliancesAirAndWater.com

©Copyright 2025 GE Appliances, a Haier Company. GE is a trademark of the General Electric Company. Manufactured under trademark license. GE Appliances has a policy of continuous improvement of its products and reserves the right to change materials and specifications without notice.



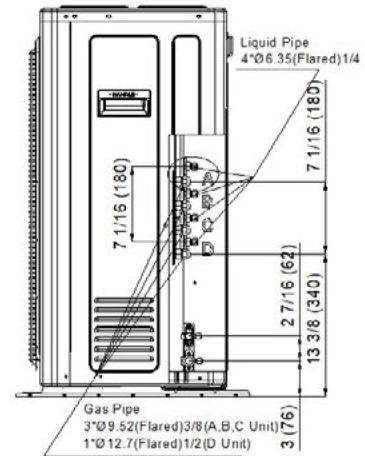
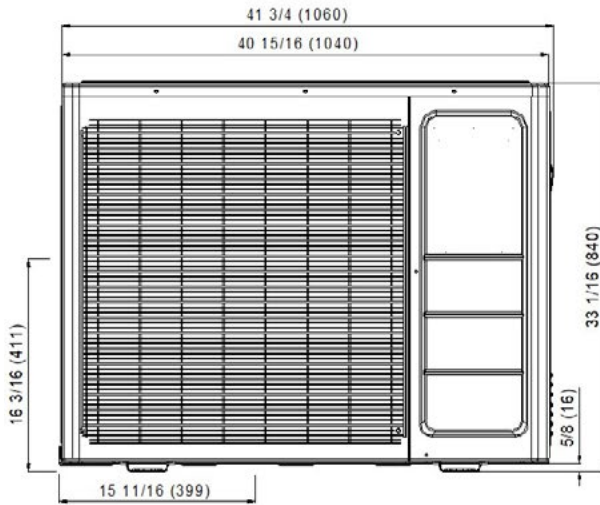
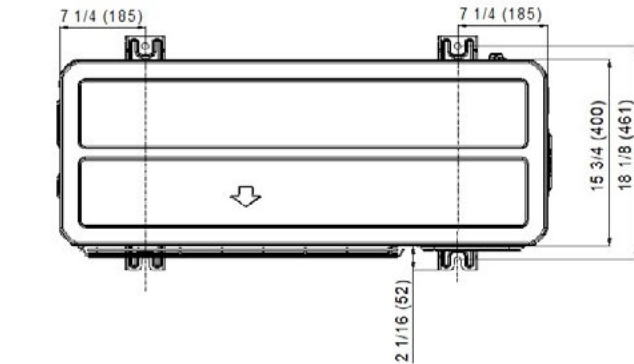


GE APPLIANCES

MULTI-ZONE DUCTLESS HEAT PUMP SYSTEM OUTDOOR

5 ZONE

5G42ED2BEA



Note: Dimensions are shown in inches (millimeters)

SUBMITTAL REVISION HISTORY

03-24-25: Submittal release.

For more information visit us:

GEAppliancesAirAndWater.com

©Copyright 2025 GE Appliances, a Haier Company. GE is a trademark of the General Electric Company. Manufactured under trademark license. GE Appliances has a policy of continuous improvement of its products and reserves the right to change materials and specifications without notice.

