



**SHADOW™** with Stealth Technology®  
**0.8 GPF Single Flush Toilet** Elongated ADA Bowl with 12" Rough-in



# SHADOW™

## 0.8 GPF SINGLE FLUSH TOILET

Elongated ADA Bowl with 12" Rough-in

### FEATURES & SPECIFICATIONS

- Exclusive PRO Product
- Preassembled tank for quick installation
- 15 Year Warranty\*\*
- MaP Score 800g
- Fluidmaster® PRO Fill Valve
- Equipped with Stealth Technology® PRO Vessel
- Left or right color match zinc handle
- Thin modern tank design
- ADA Height

### CERTIFICATIONS



**Materials:** Vitreous China **Finish Color:** White

#### Codes/Standards:

ASME A112.19.2/CSA B45.1

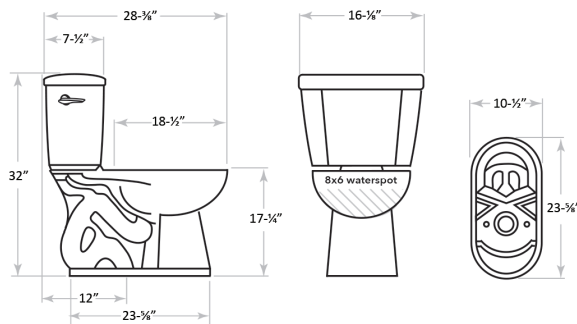
DOE - Energy Policy Act 1992

California Energy Commission (CEC)

CALGreen Compliant

ICC/ANSI A117.1

### MEASUREMENTS



### BULK PACKAGING

**C33.300.01** Left Combo

**C33.301.01** Right Combo

**33.0201.01** Elongated Bowl

UPC Code 732291332019

Packaging Type Kraft Corrugated

Packaging Dimensions 17.7" W  
15.8" H  
28.4" D

Packaging Weight 54.67

Skid Quantity 12 or 18

**33.0300.01LWH** Tank (Left)

**33.0300.01RWH** Tank (Right)

UPC Code Left 732291333009

UPC Code Right 732291333016

Packaging Type Kraft Corrugated

Packaging Dimensions 8.46" W  
16.73" H  
16.8" D

Packaging Weight 36.44

Skid Quantity 30

\*\*LIMITED LIFETIME WARRANTY on vitreous china products. Toilet tank trim: fill valve and flush valve assembly and plumbing fittings are warranted for a period of fifteen (15) years to the purchaser from the date of purchase. Call Niagara for complete warranty details.