

# Section 22

## Pressure, Vacuum, and Float Switches



Electronic Pressure Sensors  
XMLG XMLK XMLR



9012G  
Industrial Pressure Switch



9012G Machine Tool  
Pressure Switch



XMLA Electromechanical  
Pressure Switch



9016G  
Vacuum Switch



9013F  
Water Pump Switch



9013G  
Air Compressor Switch








9036D  
Open Tank Float Switch



9037H  
Closed Tank Float Switch







<b>Pressure, Vacuum, and Float Switches</b>	<b>22-2</b>
Selection Guide	22-2
9012 Sensor Selections	22-2
9013,9036, 9037, 9038 Sensor Selections	22-3
<b>Pressure Sensors</b>	<b>22-4</b>
XMLG Pressure Transmitters and Switches	22-4
XMLK Pressure Transmitters	22-6
XMLK Pressure Transmitters and Switches	22-7
<b>Electronic Pressure Switches</b>	<b>22-8</b>
XMLR Pressure Switches	22-8
<b>Pressure Switches</b>	<b>22-10</b>
XMLA, XMLB, XMLC, XMLD International Pressure Switches	22-10
XMLA, XMLB, XMLC, XMLD Dimensions	22-12
Industrial, Type G	22-13
Machine Tool, Type G	22-14
<b>Pressure Switches and Vacuum Switches</b>	<b>22-16</b>
Class 9012 and 9016 Electrical Ratings and Dimensions	22-16
<b>Pressure Switches</b>	<b>22-17</b>
Class 9012G Dimensions	22-17
Machine Tool, Modifications, and Accessories	22-18
<b>Vacuum Switches</b>	<b>22-19</b>
Types GAW and GVG	22-19
<b>Commercial Pressure Switches</b>	<b>22-20</b>
Type FHG—Pumptrol™ Compressor Pressure Switch	22-20
Type F—Pumptrol™ Water Pump Pressure Switches	22-21
Type G—Pumptrol Pressure Switch	22-22
<b>Float Switches</b>	<b>22-24</b>
Open Tank, Types D and G	22-24
Open Tank, 9036FG, and Closed Tank, 9037E	22-25
Closed Tank, Type H	22-27
Mechanical Alternators, Types A and C	22-28
Mechanical Alternators, Closed Tank, Type D	22-29
<b>Accessories and Renewal Parts</b>	<b>22-30</b>
Kits for Class 9012–9038 Devices	22-30

9012 Sensor Selections

Application	Electronic			Electromechanical Control		
						
<b>Product Family</b>	<b>XMLG</b>	<b>XMLK</b>	<b>XMLR</b>	<b>XMLA, B, C, D</b>	<b>9012G</b>	<b>9016G</b>
<b>Type of Installation/ Application</b>	Control circuits	Control circuits Pumping applications	Control circuits	Control circuits	Control circuits	Control/power circuits
<b>Fluids Controlled</b>	Air, water, hydraulic oils, corrosive fluids	Air, fresh water, 0 to + 80 ° C (32 to 176 ° F)	Air, water, hydraulic oils, corrosive fluids			
<b>Type of Operation and Features</b>	Pressure/vacuum switches and transmitters Analog output 4–20 mA or 0–10 V	Pressure transmitters Analog output, 4–20 mA or 0–10 V	Pressure/vacuum switches and transmitters Configurable units with digital display Analog output 4–20 mA, 0–10 V Regulation between 2 trip points (adjustable differential)	Pressure/vacuum switches Detection of single trip point (nonadjustable differential) Regulation between 2 trip points (adjustable differential)	Pressure switches Detection of single trip point (nonadjustable differential) Regulation between 2 trip points (adjustable differential) 2-stage	Vacuum switches Regulation between 2 trip points (adjustable differential)
<b>Size/Range</b>	–14.5 to 5800 psi	0 to 25 bar or 0 to 300 psi, depending on the model	–14.5 to 8700 psi	–14.5 to 7250 psi	0.2 to 9000 psi	0 to 29 in. of Hg
<b>Type of Output</b>	Analog, 4–20 mA or 0–10 V Digital, PNP or NPN normally closed (N.C.) output	Analog, 4–20 mA or 0–10 V	Analog, 4–20 mA, 0–10 V Digital, PNP or NPN,	Snap action contacts SPDT or DPDT 10 A continuous	Snap action contacts SPDT or DPDT 10 A continuous	Snap action contacts SPDT 10 A continuous DPST horsepower rated
<b>Electrical Connection</b>	M12 connector or Integrated quick connection	M12, DIN 43650 A or Metri-Pack connector [1]	M12 connector SAE 7/8-16 UN2A	Cable entry for Pg 13 (DIN PG13.5) cable gland, ISO M20, 1/2" NPT, and 1/2" PF	1/2" -14 NPT Cable entry 20 mm	9016G: 1/2" -14 NPT Cable entry 20 mm 9016GVG NEMA Type 1 and 3R: 3 knockouts for 1/2 in. conduit NEMA Type 7 and 9: 2 conduit entries, 3/4"-14 NPT
<b>Fluid Connection</b>	G 1/4" BSP internal, 1/4" NPT internal SAE 7/16"-20 UNF female	G 1/4 A (male) conforming to ISO7 or 1/4"-18 NPT male [1]	G 1/4" BSP internal, 1/4" NPT internal SAE 7/16"-20 UNF female	G 1/4" BSP internal, 1/4" NPT internal 1/4"-18 NPT external	1/4" - 18 NPTF internal 7/16"-20 UNF-2B internal G 1/4" BSP internal G 1/4"-19 BSP internal	G 1/4" BSP internal, 1/4" NPT internal 1/4"-18 NPT external
<b>Fluid Characteristics</b>	Hydraulic oils, air, fresh water, sea water, corrosive fluids from –15 to +125 °C (5 to +257 °F)	Air, fresh water, 0 to + 80 ° C (32.0 to 176.0 ° F)	Hydraulic oils, air, fresh water, sea water, corrosive fluids from –15 to +80 °C (5 to +176 °F)	Hydraulic oils, air, fresh water, sea water, steam, corrosive fluids, viscous products, 32 to 320 °F (0 to 160 °C) depending on the model	Hydraulic oils, air, fresh water, sea water, corrosive fluids from –26 to +120 °C (–15 to +250 °F) depending on the model	Hydraulic oils, air, fresh water, sea water, from –26 to +120 °C (–15 to +250 °F) depending on the model
<b>Enclosure Rating</b>	IP66, IP67 conforming to IEC/EN 60529, NEMA 4	IP65 conforming to IEC/ EN60529, NEMA 4	IP67 conforming to IEC/ EN 60529, NEMA 4/6/12/ 13	Screw terminal models: IP66 conforming to IEC 529, NEMA 4	NEMA Type 4, 4X, 7, 9, 13	9016G: NEMA Type 4, 4X, 7, 9, 13 9016GVG: NEMA Type 1
<b>Dimensions of Case, in. (mm) width x height x depth</b>	dia. 0.90 x 2.76 (dia. 22.8 x 70.1 mm)	dia. 1.40 x 3.10 (dia. 36 x 79.5)	1.6 x 3.93 x 1.6 in. (41 x 100 x 42 mm)	4.45 x 1.38 x 2.95 in. (113 x 35 x 75 mm) NEMA 4: 3.50 x 3.60 x 2.63 in. (89 x 91 x 67 mm)	NEMA 1: 2.06 x 5.03 x 2.75 in. (52 x 128 x 70 mm) NEMA 4: 3.50 x 3.60 x 2.63 in. (89 x 91 x 67 mm)	Control circuit: same as 9012G Power circuit: same as 9013G
<b>Conforming to Standards</b>	CE, IEC/EN 60947-1, IEC/EN 60947-5-1, EN 50081-1, EN 50082-2, EN 61000-6-2	CE, IEC/EN 60947-1, IEC/EN 60947-5-1, EN 50081-1, EN 50082-2, EN 61000-6-2	CE, IEC/EN 60947-1, IEC/EN 60947-5-1, EN 50081, EN 50082, EN 61000-6-2, EN 61000-4-2/3/4/5/6/8/ 11	CE, IEC/EN 60947-5-1, VDE 0660-200, UL 508, CSA C22-2 No. 14	NEMA A600 UL508	NEMA A600 UL508
<b>Certifications</b>	UL Listed, CSA Certified	UL: File E97729, CCN NKPZ CSA: File 240515, Class 3211-03	UL Listed, CSA Certified	UL B300 - R300 Listed. CSA B300 - R300, (BV, GL, RINA, LROS pending)	UL Listed, CSA Certified	UL Listed, CSA Certified
<b>Catalog Number</b>	XMLG	XMLK	XMLR	XMLA, XMLB, XMLC, XMLD	9012GA, 9012GC, 9012GG, 9012GH, 9012GK, 9012GM, 9012GR, 9012GS, 9012GT, 9012GN, 9012GP, 9012GQ	9016GA, 9016GV

[1] For other connections, consult the Sensor Competency Center.

**9013,9036, 9037, 9038 Sensor Selections**

Application	Electromechanical Pressure Switches		Electromechanical Float Switches			
						
<b>Product Family</b>	<b>9013F</b>	<b>9013G</b>	<b>9036D, 9036F</b>	<b>9036G</b>	<b>9037</b>	<b>9038</b>
<b>Type of Installation/ Application</b>	Power circuits	Power circuits	Power circuits	Power circuits	Power circuits	Power circuits
<b>Fluids Controlled</b>	Fresh water, air		Fresh or sea water, hydraulic oils; suitable for corrosive fluids except for cast iron bushing (shown above)			
<b>Type of Operation and Features</b>	Pressure switches Detection of single trip point (fixed differential) Regulation between 2 trip points (adjustable differential)	Pressure switches Regulation between 2 trip points (adjustable differential)	Liquid level control in <b>Open</b> tanks—either pumping in or pumping out of tank	Liquid level control in <b>Open</b> tanks—either pumping in or pumping out of tank	Liquid level control in <b>Closed</b> tanks for condensate, return heating water, fuel oil, etc.	Liquid level control in <b>Open</b> or <b>Closed</b> tanks—two pumps alternate, and both pumps run in peak demand Non-alternating option also available
<b>Size/Range (psi)</b>	6 to 200 psi	10 to 250 psi	Light duty	Medium duty	—	—
<b>Type of Output</b>	1-pole or 2-pole, snap action contacts HP rated	2-pole, snap action contacts HP rated	2-pole, snap action contacts HP rated	2-pole, snap action contacts HP rated	2-pole, snap action contacts HP rated	2 sets of 2-pole, snap action contacts HP rated
<b>Electrical Connection</b>	2 open side entries, 0.88 in. diameter, with two flats	<b>NEMA Type 1 and 3R:</b> 3 knockouts for 1/2 in. conduit <b>NEMA Type 7 and 9:</b> 2 conduit entries, 3/4"-14 NPT	4 screw terminals <b>NEMA Type 1:</b> 2 open side entries, 0.88 in. diameter, with two flats <b>NEMA Type 4, 7, 9:</b> 2 cable entries, 3/4"-14 conduit entry <b>9036FG:</b> 2 cable entries, 0.88 in. (22.4 mm) with 0.84 in. (21.3 mm) across flat	4 screw terminals <b>NEMA Type 1:</b> 3 knockouts for 1/2 in. conduit entry <b>NEMA Type 4, 7, 9:</b> 2 cable entries, 3/4"-14 conduit entry	4 screw terminals <b>NEMA Type 1:</b> 2 open side entries, 0.88 in. diameter, with two flats <b>NEMA Type 4, 7, 9:</b> 2 cable entries, 3/4"-14 conduit entry	8 screw terminals <b>NEMA Type 1:</b> 8 knockouts for 1/2 or 3/4 in. conduit entry <b>NEMA Type 4, 7, 9:</b> 2 cable entries, 3/4"-14 conduit entry
<b>Fluid Connection</b>	1/4" NPSF internal, 1/4" NPT external, plus other options	1/4" NPSF internal, 1/4" NPT external	Open tank	Open tank	Closed tank	Open tank (9038A) Closed tank (9038C, D)
<b>Fluid Characteristics</b>	Fresh water, air		Fresh water, sea water, hydraulic oils (and corrosive fluids, depending on the model) with a density $\geq 0.8$			
<b>Enclosure Rating</b>	NEMA Type 1 NEMA Type 3R IP20	NEMA Type 1, 3R, 7, 9 IP20	NEMA Type 1, 4, 7, 9	NEMA Type 1, 4, 7, 9	NEMA Type 1, 4, 7, 9	NEMA Type 1, 4, 7, 9
<b>Dimensions of Case width x height x depth in. (mm)</b>	3.76 x 2.8 x 2.78 in. (95.5 x 71.12 x 70.6 mm)	3.68 x 3.85 x 3.44 in. (93.47 x 97.79 x 87.37 mm)	See page 22-24	See page 22-24	See page 22-26–page 22-27	See page 22-28
<b>Conforming to Standards</b>	NEMA A600 UL508	NEMA A600 UL508	NEMA A600 UL508	NEMA A600 UL508	NEMA A600 UL508	NEMA A600 UL508
<b>Certifications</b>	UL Listed, CSA Certified	UL Listed, CSA Certified	UL Listed, CSA Certified	UL Listed, CSA Certified	UL Listed, CSA Certified	UL Listed, CSA Certified
<b>Catalog Number</b>	9013FS, 9013FR, 9013FH, 9013FT, 9013FY	9013GS, 9013GH, 9013GM	9036DG, 9036DW, 9036DR, 9036FG	9036GG, 9036GW, 9036GR	9037EG, 9037EW, 9037ER, 9037HG, 9037HW, 9037HR	9038AG, 9038AW, 9038AR, 9038CG, 9038CW, 9038CR, 9038DG, 9038DW, 9038DR



XMLG...D  
M12 Connector

XMLG...Q  
Quick Connect

**XMLG Pressure Transmitters and Switches**

XMLG pressure transmitters and pressure switches are characterized by their ceramic pressure-measuring cell. The deformation caused by the pressure is transmitted to the resistors of a Wheatstone bridge silk-screened on the ceramic. The change in resistance is then processed by the integrated electronics, providing either a digital or analog output signal.

**Table 22.1: Specifications**

<b>Enclosure Rating</b>	IP66, IP67 conforming to IEC/EN 60529, NEMA 4
<b>Ambient Temperature (Operation)</b>	-15 to +85 °C (+5 to +185 °F)
<b>Media Temperature</b>	-15 to +125 °C (+5 to +257 °F)
<b>Precision (Linearity, Repeat Accuracy, Hysteresis)</b>	Transmitters: <0.3%; pressure/vacuum switches: <1%
<b>Repeat Accuracy (PNP/NPN output)</b>	0.1% of the measuring range
<b>Current Consumption</b>	Transmitters: < 20 mA Pressure/vacuum switches: < 4 mA
<b>Maximum Load Current</b>	Transmitters: < 20mA Pressure/vacuum switches: 150 mA switching capacity
<b>Rated Voltage</b>	12/24 V for transmitters and pressure/vacuum switches
<b>Voltage Limits</b>	24 V for transmitters and pressure/vacuum switches
<b>Fluids Controlled</b>	Hydraulic oils, air, fresh/sea water, corrosive fluids from -15 to +125 °C (+5 to +257 °F)
<b>Materials in Contact with Fluid</b>	Ceramic Al <sub>2</sub> O <sub>3</sub> , stainless steel type AISI 303, Viton® FPM, PPS (leakage protection for P> 40 bar)
<b>Output Response Time</b>	< 2 ms

**Table 22.2: Interpretation of the Catalog Number (example: XMLG100D23TQ)**

XMLG	100	D	2	3	TQ	
Units without Display, 22.8 mm diameter	Rated Pressure Range	Electrical Connection	Output	Fluid Connection	Bulk Pack	
Code	psi	bar				
M01	-14.5 to 0	-1 to 0	D: M12	1: DC Analog, 4–20 mA, shunt calibration	1: G 1/4 A (BSP male)	
001	0 to 14.5	0 to 1	Q: Integrated quick connect	2: Analog, 4–20 mA	3: 1/4" NPT male	
006	0 to 87.0	0 to 6		3: Solid state, NPN	7: 7/16-20 UNF male	
010	0 to 145	0 to 10		4: Solid state, PNP		
016	0 to 232.1	0 to 16		7: Analog, 0–10 V (bulk packs only)		
025	0 to 362.5	0 to 25		11: DC Analog, 0–10 V shunt calibration		
100	0 to 1450	0 to 100				
160	0 to 2329.6	0 to 160				
250	0 to 3625	0 to 250				
400	0 to 5800	0 to 400				

**NOTE:** Use this table only to interpret the catalog number. Some combinations are not available.

**Table 22.3: Selection**

Rated Pressure Range	Fluid Connection	Electrical Connection	Catalog Number <sup>[1][2]</sup>	
			Analog Output, 4–20 mA	Analog Output, 0–10 Vdc
-14.5 to 0 psi	-1 to 0 bar	M12	XMLGM01D23	XMLGM01D73
0 to 14.5 psi	0 to 1 bar		XMLG001D23	XMLG001D73
0 to 87 psi	0 to 6 bar		XMLG006D23	XMLG006D73
0 to 145 psi	0 to 10 bar		XMLG010D23	XMLG010D73
0 to 232 psi	0 to 16 bar		XMLG016D23	XMLG016D73
0 to 362.5 psi	0 to 25 bar		XMLG025D23	XMLG025D73
0 to 1450 psi	0 to 100 bar		XMLG100D23	XMLG100D73
0 to 2320 psi	0 to 160 bar		XMLG160D23	XMLG160D73
0 to 3625 psi	0 to 250 bar		XMLG250D23	XMLG250D73
0 to 5800 psi	0 to 400 bar		XMLG400D23	XMLG400D73

**NOTE:** For units with a solid-state output, the settings must be specified for each order.

**Table 22.4: Wiring Configurations (M12)**

Output	Pin 1	Pin 3	Pin 4
Analog, 4–20 mA	+ Power supply	Output	—
Analog, 0–10 Vdc	+ Power supply	Output	Ground
Solid State, NPN	+ Power supply	Ground	Output
Solid State, PNP	+ Power supply	Ground	Output



UL E164865  
CCN NKPZ



LR 44087  
Class 3211-03



For wiring diagrams, refer to page 22-5.

[1] For devices with a switch output or 0–10 Vdc analog output, contact the Sensor Competency Center at 1-800-435-2121.

[2] For a bulk package (25 units), add TQ to the end of the catalog number. The minimum order quantity is 50 units (two bulk packs). When ordering, specify the individual number of units, NOT the number of bulk packs. Minimum order quantity for factory ordered individual items (non-stock) is 50 pieces.

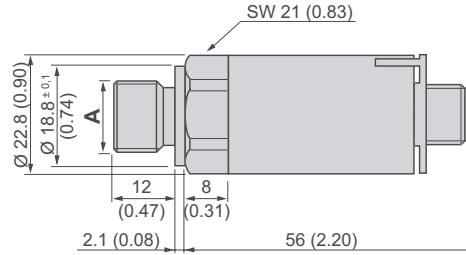
**XMLG Pressure Transmitters and Switches**

For connectors and cables, see [page 22-9](#).

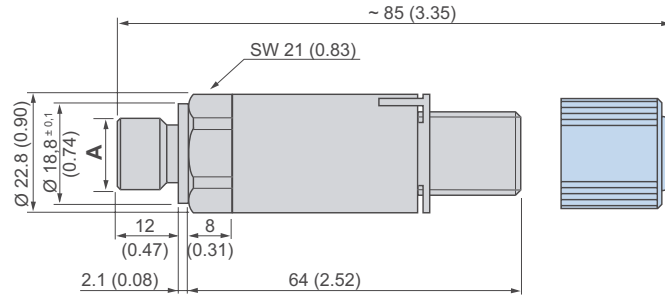
Dimension A	
XMLG***D2**1	G 1/4 A (BSAP Male)
XMLG***D2**3	1/4" NPT Male
XMLG***D2**7	7/16-20 UNF Male

**Table 22.5: Dimensions, in. (mm)**

XMLG\*\*\*D\*\*\*, M12 x 1 Connection



XMLG\*\*\*Q\*\*\*, Integrated Quick Connection



**Table 22.6: Connector Wiring**

Pressure Transmitters		Electronic Pressure Switches	
M12	Integrated Quick Connection	M12	Integrated Quick Connection
2-wire (4–20 mA)	2-wire (4–20 mA)	3-wire (PNP)	3-wire (PNP)
<p><b>3-wire (0–10 V)</b></p>	<p><b>3-wire (0–10 V)</b></p>	<p><b>3-wire (NPN)</b></p>	<p><b>3-wire (NPN)</b></p>

For wiring configurations, refer to [page 22-5](#).



**XMLK Pressure Transmitters**

Type XMLK pressure transmitters are characterized by their ceramic pressure-measuring cell. The deformation caused by the pressure is transmitted to the resistors of a Wheatstone bridge silk-screened on the ceramic. The change in resistance is then processed by the integrated electronics to provide an analog output signal.

**Table 22.7: Environmental Specifications**

<b>Enclosure Rating</b>	IP65 conforming to IEC/EN 60529, NEMA 4
<b>Ambient Air Temperature</b>	<b>For Operation</b> 0 to + 80 °C (32 to 176 °F) <b>For Storage</b> -25 to + 85 °C (13 to 185 °F)
<b>Precision (Resolution)</b>	Combined sum of linearity, hysteresis, and repeat accuracy <± 0.5% of the measuring range Setting tolerance of zero point and measuring range limit < ± 1% of the measuring range
<b>Repeat Accuracy</b>	± 0.3% of the measuring range
<b>Current Consumption</b>	4–20 mA: < 20 mA 0–10 V: < 6 mA
<b>Rated Supply Voltage</b>	24 Vdc
<b>Voltage Limits</b>	4–20 mA: 8–33 V c 0–10 V: 16.2–33 V c
<b>Fluids or Products Controlled</b>	Air, fresh water (0 to + 80 °C / 32 to 176 °F)
<b>Materials in Contact with Fluid</b>	Steel, type AISI 303 (stainless steel) nitrile (NBR)
<b>Output Response Time</b>	< 2 ms

**Table 22.8: Interpretation of the Catalog Number**

Units Without Display	Rated Pressure		Unit of Pressure	O-Ring	Electrical Connection	Output	Fluid Connection	Bulk Pack
	Code	psi						
<b>XMLK</b>	<b>100</b>			<b>P</b>	<b>2</b>	<b>D</b>	<b>3</b>	<b>TQ</b>
36 mm (1.42 in.) diameter	006		0–6	B: bar	2: NBR (Nitrile)	C: DIN 43650A	2: Analog, 4–20 mA	1: G 1/4 A (male)
	010		0–10	P: psi		D: M12	7: Analog, 0-10 V	3: 1/4"-18 NPT (male)
	016		0–16		P: Metri-Pack			
	025		0–25					
	100	0–100						
	150	0–150						
	200	0–200						
	300	0–300						

**NOTE:** Use this table only to interpret the catalog number. Some combinations are not available.

**Table 22.9: Selection**

Rated Pressure Range	Catalog Number [3]					
	4–20 mA Analog Output			0–10 Vdc Analog Output		
	DIN	M12	Metri-Pack	DIN	M12	Metri-Pack
<b>Bar Version, G 1/4 A Male Fluid Connector</b>						
0–6 bar (0–87 psi)	XMLK006B2C21	XMLK006B2D21	—	XMLK006B2C71	XMLK006B2D71	—
0–10 bar (0–145 psi)	XMLK010B2C21	XMLK010B2D21	—	XMLK010B2C71	XMLK010B2D71	—
0–16 bar (0–232 psi)	XMLK016B2C21	XMLK016B2D21	—	XMLK016B2C71	XMLK016B2D71	—
0–25 bar (0–362.5 psi)	XMLK025B2C21	XMLK025B2D21	—	XMLK025B2C71	XMLK025B2D71	—
<b>PSI Version, 1/4"-18 NPT Male Fluid Connector</b>						
0–100 psi (0–6.9 bar)	XMLK100P2C23	XMLK100P2D23	XMLK100P2P23	XMLK100P2C73	XMLK100P2D73	XMLK100P2P73
0–150 psi (0–10.3 bar)	XMLK150P2C23	XMLK150P2D23	XMLK150P2P23	XMLK150P2C73	XMLK150P2D73	XMLK150P2P73
0–200 psi (0–13.8 bar)	XMLK200P2C23	XMLK200P2D23	XMLK200P2P23	XMLK200P2C73	XMLK200P2D73	XMLK200P2P73
0–300 psi (0–20.7 bar)	XMLK300P2C23	XMLK300P2D23	XMLK300P2P23	XMLK300P2C73	XMLK300P2D73	XMLK300P2P73

**Table 22.10: Wiring Configurations (M12)**

Output	Pin 1	Pin 3	Pin 4
<b>Analog, 4–20 mA</b>	+ Power supply	Output	—
<b>Analog, 0–10 Vdc</b>	+ Power supply	Output	Ground
<b>Solid State, NPN</b>	+ Power supply	Ground	Output
<b>Solid State, PNP</b>	+ Power supply	Ground	Output



UL E164865  
CCN NKPZ



LR 44087 Class 3211-03



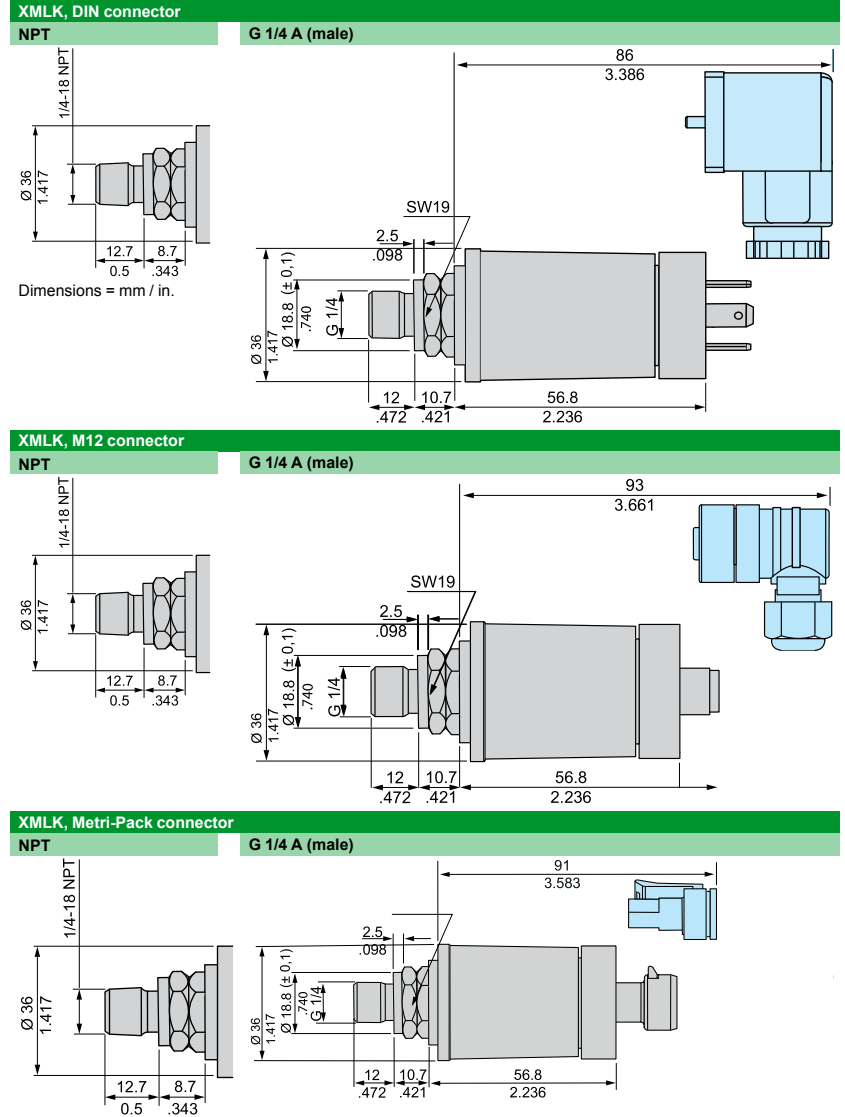
For wiring diagrams, refer to page 22-5.

[3] For a bulk package (25 units), add TQ to the end of the catalog number. The minimum order quantity is 50 units (two bulk packs). When ordering, specify the individual number of units, not the number of bulk packs. Minimum order quantity for factory ordered individual items (non-stock) is 50 pieces.

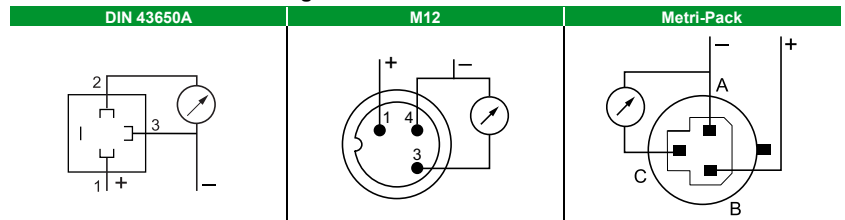
**XMLK Dimensions**

For connectors and cables, see [XMLF Accessories](#), [Wiring Configurations](#), and [Electrical Connections](#), page 22-9.

**Table 22.11: Dimensions**



**Table 22.12: Connector Wiring**





**XMLR and ZMLP Pressure Switches**

XMLR and ZMLP are user-friendly electronic pressure switches with an easy-to-read four digit display and finger-operated adjustment buttons for scrolling up and down through the menu functions. Burst pressure is six times the nominal pressure (up to 1,800 bar or 26,100 psi).

**Configurable functions:**  
**Display**

- Pressure unit of measurement ( bar, psi, kPa, or MPa).
- Display refresh time: fast (50 ms), normal (200 ms), slow (600 ms).
- 180° reversed display function.

**Analog output (4...20 mA or 0...10 V):**

- Offset compensation in the range of ±5% of the nominal pressure.
- Adjustment of analog end point between 75 and 125% of the nominal pressure.

**Solid-state output**

- NO or NC contact.
- Switching mode of outputs: Hysteresis (pumping) or Window (control).
- Time delay both on trip and on reset (adjustable from 0 to 50 s, in steps of 1 s).

**Diagnostic functions**

- Illumination of all the segments of the display on each power-up, enabling checking of their operation.
- Diagnostic function for checking correct operation of the sensor.
- Saving of min. and max. pressures measured by the sensor and their subsequent display.

Outputs change state when the pressure ranges outside the window settings.

**Table 22.13: Interpretation of the Catalog Number (example: XMLRM01G0T25)**

XMLR	M01	G	0	T	2	5
<b>Pressure range</b>						
-1 – +0	M01					
1	001					
2.5	002					
10	010					
16	016					
25	025					
40	040					
100	100					
160	160					
250	250					
400	400					
600	600					

<b>Pressure technology</b>	
Gauge ceramic	G
Gauge metal	M

<b>Digital output</b>	
No digital output	0
1 DC Digital output	1
2 DC Digital output	2

<b>Output / input type</b>	
No digital output / Test input	T
PNP	P
NPN	N

<b>Analog output</b>	
No analog output	0
DC analog 4 – 20 mA	2
DC analog 0 – 10 V	7

<b>Fluid entry</b>	
G 1/4 (female) DIN 3852-E	5
1/4 in. – 18 NPT (female)	6
7/16 in. – 20 UNF-2B (female)	9

**NOTE:** Use this table only to interpret the catalog number. Some combinations are not available.

**Table 22.16: XMLR Selection**

Fluid entries	Outputs			Size							
	4...20 mA	PNP	NPN	-1 bar	1 bar	10 bar	16 bar	40 bar	250 bar	400 bar	
1/4" -18NPT	1	—	1	XMLRM01G1N26	XMLR001G1N26	XMLR010G1N26	XMLR016G1N26	XMLR040G1N26	XMLR250M1N26	XMLR400M1N26	
	—	—	2	XMLRM01G2N06	XMLR0012G2-N06	XMLR010G2N06	XMLR016G2N06	XMLR040G2N06	XMLR250M2N06	XMLR400M2N06	
G1/4A	1	—	—	XMLRM01G0T25	XMLR001G0T25	XMLR010G0T25	XMLR016G0T25	XMLR040G0T25	XMLR250M0T25	XMLR400M0T25	
	1	1	—	XMLRM01G1P25	XMLR001G1P25	XMLR010G1P25	XMLR016G1P25	XMLR040G1P25	XMLR250M1P25	XMLR400M1P25	
	—	2	—	XMLRM01G2P05	XMLR001G2P05	XMLR010G2P05	XMLR016G2P05	XMLR040G2P05	XMLR250M2P05	XMLR400M2P05	

For more options for fluid entry, output, and size, visit [www.schneider-electric.com](http://www.schneider-electric.com).



File: E164865  
CCN / NKPZ



File: LR44087  
Class: 3211-03



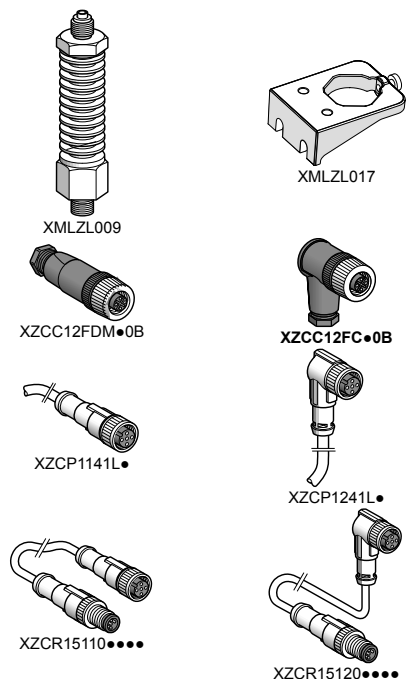
**Table 22.14: Specifications**

Enclosure Rating	IP67 NEMA 4, 6, 12, 13	
Ambient Air Temperature for Operation	DC Models: -25 to +80 °C (-13 to + 176 °F) AC Models: -25 to +80 °C (-13 to + 176 °F)	
Media Temperature	-15 to +80 °C (+5 to + 176 °F)	
Precision	Analog Output	≤ 0.6% of the measurement range, output offset < 200 mV
	Digital Output	≤ 0.6% of the measurement range
Repeat Accuracy (PNP/NPN output)	≤ 0.5% of the measurement range	
Maximum Load Current	<b>DC:</b> 200 mA for 17–33 Vdc; <b>AC:</b> 2.5A AC15 C300	

**Table 22.15: ZMLP Selection**

Output 1	Output 2	Switching Mode	Reference
4...20 mA	PNP	Hysteresis	ZMLPA2PSH
		Windows	ZMLPA2PSW
	NPN	Hysteresis	ZMLPA2NSH
		Windows	ZMLPA2NSW
PNP	PNP	Hysteresis	ZMLPDPPSH
NPN	NPN	Hysteresis	ZMLPDNNSH

**XMLR Accessories, Wiring, and Electrical Connections**



**Table 22.17: Accessories**

Description	For use with	Catalog Number	Weight kg (oz)
Cooler with G 1/4 A (male) connections Usage temperature: 150° C (302° F) max. for the fluid, 50° C (122° F) for the ambient air	XMLR.....5	XMLZL009	0.370 (13.051)
Fixing bracket aluminium	XMLR....	XMLZL017	0.029 (1.023)

**Table 22.18: Connectors**

Description	For use with	Type	Catalog Number	Weight kg (oz)
M12 female connector, 4-pin metal clamping ring	XMLR.....0T●●	Straight	XZCC12FDM40B	0.020 (0.705)
	XMLR.....1P●●			
	XMLR.....1N●●			
	XMLR.....2P0p			
M12 female connector, 5-pin metal clamping ring	XMLR.....2N0●	Elbowed	XZCC12FCM40B	0.020 (0.705)
	XMLR.....2P2●	Straight	XZCC12FDM50B	0.020 (0.705)
M12 female connector, 5-pin metal clamping ring	XMLR.....2N2●	Elbowed	XZCC12FCM50B	0.020 (0.705)

**Table 22.19: Pre-wired connectors and jumper cables**

Description	For use with	Type	Cable length m (ft)	Catalog Number	Weight kg (oz)
Pre-wired M12, 4-pin connectors Metal clamping ring PUR cable	XMLR.....0T●● XMLR.....1P●● XMLR.....2P0● XMLR.....2N0●	Straight	2 (6.561)	XZCP1141L2	0.090 (3.174)
			5 (16.404)	XZCP1141L5	0.190 (6.702)
			10 (32.808)	XZCP1141L10	0.370 (13.051)
		Elbowed	2 (6.561)	XZCP1241L2	0.090 (3.174)
			5 (16.404)	XZCP1241L5	0.190 (6.702)
			10 (32.808)	XZCP1241L10	0.370 (13.051)
Pre-wired M12, 5-pin connectors PVC cable	XMLR.....2P2● XMLR.....2N2●	Straight female connector	2 (6.561)	XZCPV11V12L2	0.100 (3.527)
			5 (16.404)	XZCPV11V12L5	0.200 (7.054)
			10 (32.808)	XZCPV11V12L10	0.400 (14.109)
		Elbowed female connector	2 (6.561)	XZCPV12V12L2	0.100 (3.527)
			10 (32.808)	XZCPV12V12L10	0.400 (14.109)
			2 (6.561)	XZCPV12V12L10	0.400 (14.109)
M12-M12 4-pin jumper cables PUR cable	XMLR.....0T●● XMLR.....1P●● XMLR.....2P0● XMLR.....2N0●	Straight female connector	1 (3.280)	XZCR1511041C1	0.100 (3.527)
			2 (6.561)	XZCR1511041C2	0.100 (3.527)
		Elbowed female connector	1 (3.280)	XZCR1512041C1	0.100 (3.527)
			2 (6.561)	XZCR1512041C2	0.100 (3.527)
			1 (3.280)	XZCR151064D1	0.100 (3.527)
			2 (6.561)	XZCR151064D2	0.100 (3.527)
M12-M12 5-pin jumper cables PUR cable	XMLR.....2P2● XMLR.....2N2●	Straight female connector	1 (3.280)	XZCR1511064D1	0.100 (3.527)
			2 (6.561)	XZCR1511064D2	0.100 (3.527)
		Elbowed female connector	1 (3.280)	XZCR1512064D1	0.100 (3.527)
			2 (6.561)	XZCR1512064D2	0.100 (3.527)



XMLB



XMLD

**XML International Pressure Switches**

XML international pressure switches meet IEC, Cenelec, UL, and CSA standards. They are CE marked.

- Fixed differential (XMLA), adjustable differential single-pole (XMLB) or double-pole (XMLC), and dual stage (XMLD)
- Range listed is on increasing pressure (psi, bar, kPa)
- External pressure setting window available
- 1 N.O.–1 N.C. snap acting contacts standard
- Temperature range: –13 to +158 °F (–25 to +70 °C)
- Enclosure rating: IP65 with plug-in connector, IP66 with terminal connections
- Operating rate: up to 120 operations / min. for diaphragm and 60 / min. for piston
- Media connection: 1/4" NPT
- Conduit connection: 1/2" NPT

**Table 22.20: Specifications**

<b>Enclosure Rating</b>	Screw terminal models: IP66 conforming to IEC/EN 60529; Connector models: IP65 conforming to IEC/EN 60529	
<b>Ambient Temperature</b>	<b>Operation</b>	–25 to +70 °C (–13 to +158 °F)
	<b>Storage</b>	–40 to +70 °C (–40 to 158 °F)
<b>Repeat Accuracy</b>	< 2%	
<b>Fluids Controlled</b>	Hydraulic oils, air, fresh water, 32 to 320 °F (0 to +160 °C), depending on the model Steam, corrosive fluids, viscous products, 32 to 320 °F (0 to +160 °C), depending on the model	
<b>Operating Rate (operating cycles/minute)</b>	Piston version switches: up to 60 cycles/minute for temperatures above 32 °F (0 °C) Diaphragm version switches: up to 120 cycles/minute for temperatures above 32 °F (0 °C)	
<b>Operational Characteristics</b>	AC-15; B300 (Ue = 240 V, Ie = 1.5 A; Ue = 120 V, Ie = 3 A) DC-13; R300 (Ue = 250 V, Ie = 0.1) conforming to IEC 947-5-1 Appendix A, EN 60 947-5-1	
<b>Type of Contacts</b>	Silver tipped contacts XMLA & XMLB: 1 C/O single-pole contact (4 terminal), snap action XMLC: 2 C/O single-pole contacts (8 terminals), simultaneous snap action XMLD: 2 C/O single-pole contacts (8 terminals), staggered snap action	
<b>Resistance Across Terminals</b>	< 25 mW conforming to NF C 93-050 method A or IEC 255-7 category 3	
<b>Terminal Referencing</b>	Conforming to CENELEC EN 50013	
<b>Short-Circuit Protections</b>	10 A cartridge fuse type gG (gl) recommended	
<b>Connection</b>	Screw clamp terminals; Clamping capacity, min: 1 x 0.2 mm <sup>2</sup> , max: 2 x 2.5 mm <sup>2</sup>	

**Table 22.21: Component Materials in Contact with Fluid**

Pressure Switch Catalog Number	Zinc Alloy	Stainless Steel	Brass	Steel	Nitrile	PTFE	FPM, FKM	Aluminum
XMLAM01V**** / XML-M02V****	X	X [1]	—	—	X	—	—	—
XMLBM03S****	—	X [1]	—	—	—	X	—	—
XML-M05A****	X	X [1]	—	—	X	—	—	—
XMLBL05S****	—	X [2]	—	—	—	X	—	—
XML-L35R****	—	X [2]	—	X	—	—	X	—
XML-L35S**** / XML-001S****	—	X [2]	—	—	—	X	—	—
XML-002A****	X	—	—	—	X	—	—	—
XML-002B****	—	—	—	X	—	—	X	—
XMLA004A**** / XMLB004A****	X	—	—	—	X	—	—	—
XML-004B****	—	—	—	X	—	—	X	—
XML-010A****	X	—	—	—	X	—	—	—
XML-010B****	—	—	X	—	—	—	X	—
XML-020A**** / XML-035A****	X	—	—	—	X	—	—	X
XML-020B**** / XML-035B****	—	—	X	—	—	—	X	—
XML-070D**** / XML-160D**** / XML-300D****	—	—	X	X	—	X	X	—
XML-500D****	—	—	X1	X	—	X	X	—

**Table 22.22: Interpretation of the Catalog Number (example: XMLD070D1S13)**

(XML) D	070	D	1	S	1	3	
Contacts	Rated Pressure	Actuator	Scale	Electrical Connection	Output	Fluid Connection	
A Fixed differential, single-pole contact	<b>Code</b>	Diaphragm	1 Without	S Without connector (not available on solid-state devices)	1 Contacts	Fluid	Electrical
	<b>L05</b> 0 to 0.725 0 to 0.05						
B Adjustable differential, single-pole contact	<b>L35</b> 0 to 5.075 0 to 0.35	A Hydraulic oil, air, fresh water, sea water (0 to 70 °C)	2 With	C Square / DIN 43650 D M12 Micro connector		1 1/4 Gas	Type 13 (PG 13,5)
	<b>M01</b> -14.5 to -4.06 -1 to -0.28	B Hydraulic oil, air, fresh water, sea water (0 to 160 °C)					
	<b>M02</b> -14.5 to -2.03 -1 to -0.14	C Corrosive fluids					
C 2 adjustable differential, single-pole contacts, simultaneous	<b>M03</b> -2.9 to -0.29 -0.2 to -0.02	P Viscous fluids				2 1/4 Gas	ISO M20
	<b>M05</b> -7.25 to 72.5 -0.5 to 5	R Hydraulic oil, air (0 to 160 °C)					
	<b>001</b> 0 to 14.5 0 to 1	S Fresh/sea water, corrosive fluids (0 to 160 °C)					
D 2 fixed differential, single-pole contacts, staggered	<b>002</b> 0 to 36.25 0 to 2.5	Vacuum				3 1/4 in. NPTF	1/2 in. NPT
	<b>004</b> 0 to 58 0 to 4	V Hydraulic oil, air, fresh water, sea water (0 to 70 °C)					
	<b>010</b> 0 to 145 0 to 10	T Hydraulic oil, air, fresh water, sea water (0 to 160 °C)					
	<b>020</b> 0 to 290 0 to 20	Piston					
	<b>035</b> 0 to 507.5 0 to 35	D Hydraulic oil					
	<b>040</b> 0 to 580 0 to 40	E Fresh / sea water					
	<b>070</b> 0 to 1015 0 to 70						
	<b>160</b> 0 to 2320 0 to 160						
<b>300</b> 0 to 4350 0 to 300							
<b>500</b> 0 to 7250 0 to 500							

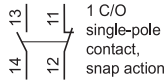
**NOTE:** Use this table only to interpret the catalog number. Some combinations are not available

[1] X2GNiMo 17-12-2 (AISI 316L)

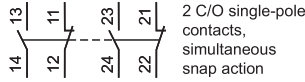
[2] X8GNiS 18-09 (AISI 303)

**Terminal Diagrams**

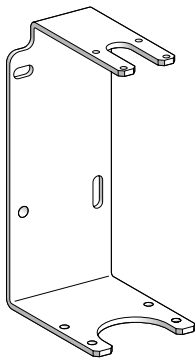
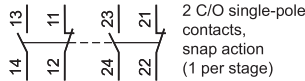
**XMLA, XMLB**



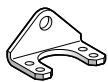
**XMLC**



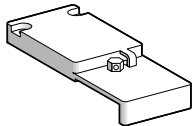
**XMLD**



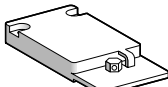
XMLZL006



XMLZL002



XMLZL001



XMLZL011

**XML Catalog Numbers and Accessories**

**Table 22.23: Fixed Differential Catalog Numbers**

Range on Increasing Pressure (psi)	Approximate Differential Across Range	Maximum Allowable Pressure	Catalog Number
<b>Fixed, 1 Single-Pole Contact (XMLA)</b>			
-4.06 to -14.5	3.5	130.5	XMLAM01V2S13
0.435 to 14.5	0.29 low / 0.58 high	32.62	XMLA001S2S13
2.17 to 36.25	1.88	130.5	XMLA002A2S13
5.8 to 58	5.07	130.5	XMLA004A2S13
8.7 to 145	7.25	326.25	XMLA010A2S13
10.2 to 290	5.8 low / 14.5 high	652.5	XMLA020A2S13
21.75 to 507.5	18.12	1160	XMLA035A2S13
72.5 to 1015	43.5 low / 108.75 high	2320	XMLA070D2S13
145 to 2320	79.75 low / 261 high	5220	XMLA160D2S13
290 to 4350	239.25 low / 507.5 high	9787.5	XMLA300D2S13
435 to 7250	290 low / 652.5 high	16312.5	XMLA500D2S13
<b>Fixed, 2 Single-Pole Contacts, Staggered (XMLD)</b>			
0.84 to 5.07	0.44	32.62	XMLDL35S1S13
-1.74 to -14.5	1.45	130.5	XMLDM02V1S13
1.74 to 14.5	0.44 low / 1.02 high	32.62	XMLD001S1S13
4.93 to 36.25	2.03 low / 2.76 high	130.5	XMLD002B1S13
5.8 to 58	2.18 low / 2.76 high	130.5	XMLD004B1S13
17.4 to 145	6.53 low / 8.7 high	326.25	XMLD010B1S13
2.14 to 20	10.15 low / 18.85 high	652.5	XMLD020B1S13
63.8 to 507.5	21.75 low / 37.7 high	1160	XMLD035B1S13
136.3 to 1015	72.5 low / 137.75 high	2320	XMLD070D1S13
239.25 to 2320	127.6 low / 290 high	5220	XMLD160D1S13
522 to 4350	246.5 low / 609 high	9787.5	XMLD300D1S13
594.5 to 7250	304.5 low / 942.5 high	16312.5	XMLD500D1S13

**Table 22.24: Adjustable Differential Catalog Numbers**

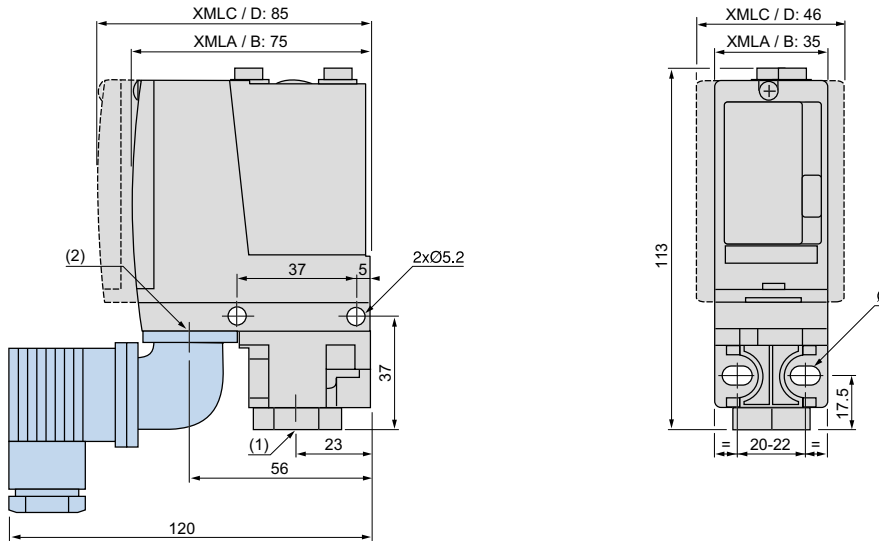
Range on Increasing Pressure (psi)	Approximate Differential Across Range	Maximum Allowable Pressure	Catalog Number
<b>Adjustable, 1 Single-Pole Contact (XMLB)</b>			
0.038 to 0.72	0.02 low / 0.06 high	1.63	XMLBL05S2S13
0.65 to 5.07	0.6 low / 0.72 high	32.62	XMLBL35R2S13
-2 to -14.5	1.9	130.5	XMLBM02V2S13
-0.29 to -2.9	0.26	29	XMLBM03S2S13
-7.25 to 72.5	7.25	163.12	XMLBM05A2S13
0.72 to 14.5	0.58 low / 0.87 high	32.62	XMLB001S2S13
4.35 to 36.25	2.32 low / 3.04 high	130.5	XMLB002A2S13
3.62 to 58	2.9 low / 3.62 high	130.5	XMLB004A2S13
10.15 to 145	8.26 low / 12.32 high	326.25	XMLB010A2S13
18.9 to 290	14.5 low / 23.2 high	652.5	XMLB020A2S13
50.75 to 507.5	24.65 low / 36.97 high	1160	XMLB035A2S13
101.5 to 1015	68.15 low / 127.6 high	2320	XMLB070D2S13
145 to 2320	134.85 low / 301.6 high	5220	XMLB160D2S13
319 to 4350	281.3 low / 536.5	9787.5	XMLB300D2S13
435 to 7250	333.5 low / 762.7 high	16312.5	XMLB500D2S13
<b>Adjustable, 2 Single-Pole Contacts, Simultaneous (XMLC)</b>			
0.65 to 5.07	0.29 low / 0.51 high	32.62	XMLCL35S2S13
-2 to -14.5	1.89 low / 2.03 high	130.5	XMLCM02V2S13
-7.97 to 72.5	6.52	163.12	XMLCM05S2S13
0.725 to 14.5	0.43 low / 0.58 high	32.62	XMLC001S2S13
4.35 to 36.25	1.89 low / 2.47 high	130.5	XMLC002B2S13
4.35 to 58	2.18 low / 2.47 high	130.5	XMLC004B2S13
10.15 to 145	6.53 low / 10.15 high	326.25	XMLC010B2S13
18.85 to 290	10.15 low / 14.5 high	652.5	XMLC020B2S13
50.75 to 507.5	14.5 low / 21.75 high	1160	XMLC035B2S13
101.5 to 1015	65.25 low / 129.05 high	2320	XMLC070D2S13
174 to 2320	130.5 low / 304.5 high	5220	XMLC160D2S13
319 to 4350	232 low / 507.5 high	9787.5	XMLC300D2S13
435 to 7250	275.5 low / 754 high	16312.5	XMLC500D2S13

**Table 22.25: Accessories for XML Pressure and Vacuum Switches**

Description	For Use with Switches	Catalog Number
<b>Rear mounting bracket</b> For vibrations > 2 gn	XML-L35 XML-001	XMLZL006
<b>Additional top support bracket</b> For vibrations > 4 gn	XMLAM01 XML-M05 XMLA004 XML-010 ... XML-500	XMLZL002
<b>Lead sealable protective cover</b> To prevent unauthorized access to the adjustment screws and the switch cover mounting screw	XMLA XMLB	XMLZL001
<b>Lead sealable protective cover</b> To prevent unauthorized access to adjustment screws	All models	XMLZL011

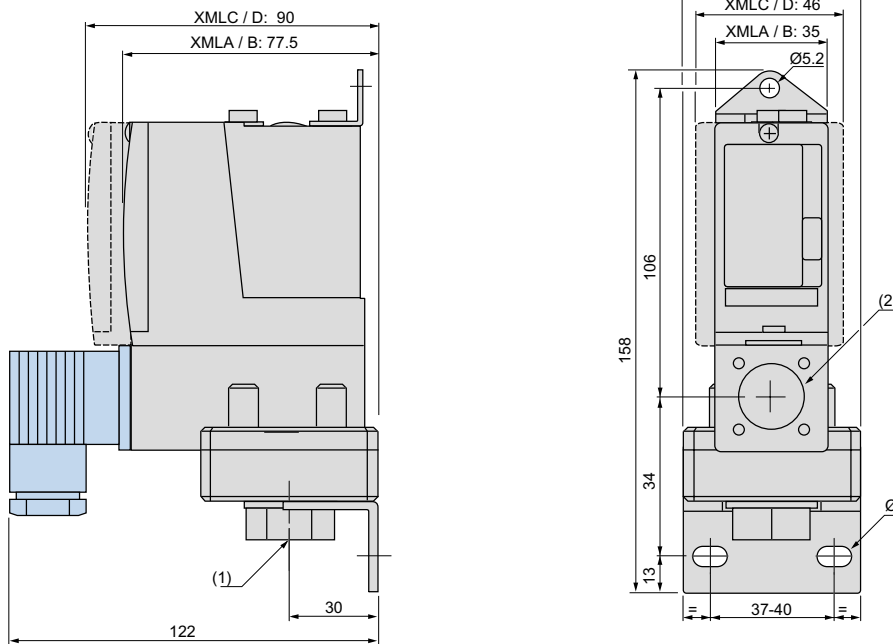
**XML Dimensions**

XMLAM01, XMLBM05, XMLCM05, XMLA004, X-ML010...500



(1) 1 fluid entry, tapped G 1/4 (BSP female) or 1/4" NPT  
 (2) 1 electrical connections entry, tapped M20 x 1.5 or Pg 13.5, or 1/2" NPT  
 Ø: 2 elongated holes Ø 5.2 x 6.7

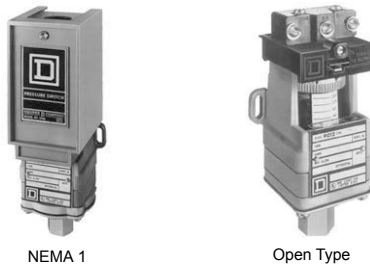
XML-M02, XML-002, XMLB004, XMLC004, XMLD004



(1) 1 fluid entry, tapped G 1/4 (BSP female) or 1/4" NPT  
 (2) 1 electrical connections entry, tapped M20 x 1.5 or Pg 13.5, or 1/2" NPT  
 Ø: 2 elongated holes Ø 10.2 x 5.2

**Type G Pressure Switches**

**Table 22.26: Fixed Differential, Open Type or NEMA 1 Enclosure**



Range On Decreasing Pressure psig	Approximate Differential at Mid-Range psig [3]	Maximum Allowable Pressure psig	Open Type	NEMA 1 Type
<b>Diaphragm Actuated—Nitrile (Buna-N) Diaphragm, Zinc Plated Steel Housing</b>				
0.2–10	0.4 ±0.1	100	GRO1	GRG1
1–40	1.2 ±0.3	100	GRO3	GRG3
1.5–75	2.2 ±0.4	240	GRO4	GRG4
3–150	4.2 ±1	475	GRO5	GRG5
5–250	7.4 ±2	750	GRO6	GRG6
13–425	13 ±3	850	—	GSG1
20–675	19 ±5	2000	—	GSG2
<b>Piston Actuated—#440 Stainless Steel Piston, #303 Stainless Steel Housing, Viton® Fluorocarbon Diaphragm and O-Ring, Teflon® Retaining Ring</b>				
20–1000	49 ±10	10000	—	GTG1
90–2900	141 ±15	15000	GTO2	GTG2
170–5600	200 ±40	20000	GTO3	GTG3
270–9000	350 ±45	25000	—	GTG4

**Table 22.27: Adjustable Differential, Open Type or NEMA 1 Enclosure**

Range On Decreasing Pressure psig	Approximate Mid-Range Differential Adds to Decreasing Set Point [3]	Maximum Allowable Pressure psig	Open Type	NEMA 1 Type
<b>Diaphragm Actuated—Nitrile (Buna-N) Diaphragm, Zinc Plated Steel Housing</b>				
0.2–10	0.4–0.9	100	GNO1	GNG1
1–40	1.2–3.6	100	GNO3	GNG3
1.5–75	2.2–6.6	240	GNO4	GNG4
3–150	4.2–13.2	475	GNO5	GNG5
5–250	7.4–33.6	750	GNO6	GNG6
13–425	13–37.2	850	GPO1	GPG1
20–675	19–58.8	2000	GPO2	GPG2
<b>Piston Actuated—#440 Stainless Steel Piston, #303 Stainless Steel Housing, Viton® Fluorocarbon Diaphragm and O-Ring, Teflon® Retaining Ring</b>				
20–1000	49–150	10000	—	GQG1
90–2900	141–455	15000	GQO2	GQG2
170–5600	200–950	20000	GQO3	GQG3
270–9000	350–1400	25000	—	GQG4

**Table 22.28: Available Modifications [4]**

Modification	Applies to	Form
Standard Nitrile (Buna-N) diaphragm in #316 stainless steel housing	<b>Not available</b> on GNG1, GNO1, GRG1, or GRO1. <b>Available</b> on all other GNG, GNO, GPG, GPO, GRG, GRO, GSG, and GSO switches.	Q1
Ethylene propylene diaphragm in #316 stainless steel housing	<b>Not available</b> on GNG1, GNO1, GRG1, or GRO1. <b>Available</b> on all other GNG, GNO, GPG, GPO, GRG, GRO, GSG, and GSO switches.	Q3
Viton fluorocarbon diaphragm in #316 stainless steel housing	<b>Not available</b> on GNG1, GNO1, GRG1, or GRO1. <b>Available</b> on all other GNG, GNO, GPG, GPO, GRG, GRO, GSG, and GSO switches.	Q4
1/4–18 NPT external thread pressure connection	GNG, GNO, GRG, GRO	Z
1/2–14 NPT external thread, 1/4–18 NPTF internal thread pressure connection. Standard actuator only.	GNG, GNO, GRG, GRO	Z16
7/16–20 UNF-2B internal thread pressure connection	GNG, GNO, GPG, GPO, GQG, GQO, GRG, GRO, GSG, GSO, GTG, GTO	Z18

**Table 22.29: Class 9049 Accessories for Class 9012 Pressure Switches**

Description	Applies to Class	Type
Stainless steel surge reducer for use on oils, coolants, and hydraulic fluids (not recommended for air or water)	9012G	A26S

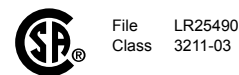
Acceptable Wire Sizes 12-22 AWG

Recommended Terminal Clamp Torque 7 lb-in

Electrical Rating [page 22-16](#)

Temperature Rating [page 22-16](#)

Renewal Parts Kits [page 22-30](#)



[3] Determines operating point on rising pressure.  
[4] Some product configurations are not available—contact your Schneider Electric representative for details.



9012GAW5  
NEMA 4, 4X, 13

### Control Circuit Rated Type G Pressure Switches

Class 9012 single stage pressure switches are control circuit rated devices used in pneumatic or hydraulic systems on a wide variety of machine and process applications to protect the equipment and control or monitor the system pressure.

- Type G machine tool switches are available with NEMA Type 4, 4X, and 13 (IEC IP66) enclosure ratings.
- The NEMA 7 and 9 devices are UL listed for use in the following hazardous locations: Class I, Divisions 1 and 2, Groups C and D; and Class II, Divisions 1 and 2, Groups E, F, and G.
- Enclosure materials are cast aluminum.
- To ensure repeatability and minimize setting drift, pressure settings should fall within the middle 80 percent of the pressure range.

Table 22.30: Fixed Differential [5]

NEMA 4, 4X, 13 Enclosure

UL Listed and CSA Certified As Industrial Control Equipment

Range on Decreasing Pressure psig	[6] Approximate Differential at Mid-Range psig	Maximum Allowable Pressure psig	Single Pole	Double Pole
			Double Throw	Double Throw
Diaphragm Actuated—Nitrile (Buna-N) Diaphragm, Zinc Plated Steel Housing				
2-10	0.6 ±0.1	100	GDW1	GDW21
1-40	1.6 ±0.4	100	GDW2	GDW22
1.5-75	3.0 ±0.5	240	GDW4	GDW24
3-150	6.0 ±0.8	475	GDW5	GDW25
5-250	10.0 ±1.5	750	GDW6	GDW26
13-425	16 ±3.5	850	GEW1	GEW21
20-675	27 ±5	2000	GEW2	GEW22
Piston Actuated—#440 Stainless Steel Piston, #303 Stainless Steel Housing, Viton® Fluorocarbon Diaphragm and O-ring, Teflon® Retaining Ring				
20-1000	59 ±9	10000	GFW1	GFW21
90-2900	170 ±15	15000	GFW2	GFW22
170-5600	289 ±55	20000	GFW3	GFW23
270-9000	495 ±70	25000	GFW4	GFW24

Table 22.31: Adjustable Differential [5]

NEMA 4, 4X, 13 Enclosure UL Listed and CSA Certified As

Industrial Control Equipment

Range on Decreasing Pressure psig	[6] Adjustable Differential Approximate at Mid-Range	Maximum Allowable Pressure psig	Single Pole	Double Pole
			Double Throw	Double Throw
Diaphragm Actuated—Nitrile (Buna-N) Diaphragm, Zinc Plated Steel Housing				
2-10	0.6-2	100	GAW1	GAW21
1-40	1.6-8	100	GAW2	GAW22
1.5-75	3.5-15	240	GAW4	GAW24
3-150	6.0-30	475	GAW5	GAW25
5-250	10.0-49	750	GAW6	GAW26
13-425	16-90	850	GBW1	GBW21
20-675	27-130	2000	GBW2	GBW22
Piston Actuated—#440 Stainless Steel Piston, #303 Stainless Steel Housing, Viton Fluorocarbon Diaphragm and O-ring, Teflon® Retaining Ring				
20-1000	59-200	10000	GCW1	GCW21
90-2900	170-560	15000	GCW2	GCW22
170-5600	289-1260	20000	GCW3	GCW23
270-9000	495-1900	25000	GCW4	GCW24

Table 22.32: Fixed Differential

NEMA 7 & 9 Enclosure

Class I & II, Division 1 & 2, Groups C, D, E, F, G

Range on Decreasing Pressure psig	[6] Approximate Differential at Mid-Range psig	Maximum Allowable Pressure psig	Single Pole	Double Pole
			Double Throw	Double Throw
Diaphragm Actuated—Nitrile (Buna-N) Diaphragm, Zinc Plated Steel Housing				
0.2-10	1.0 ±0.1	100	GDR1	—
1-40	2.4 ±0.8	100	GDR2	GDR22
1.5-75	4.5 ±1	240	GDR4	GDR24
3-150	9 ±1.5	475	GDR5	GDR25
5-250	15 ±3	750	GDR6	GDR26
13-425	25 ±7	850	GER1	GER21
Piston Actuated—#440 Stainless Steel Piston, #303 Stainless Steel Housing, Viton Fluorocarbon Diaphragm and O-ring, Teflon® Retaining Ring				
20-1000	89 ±18	10000	GFR1	GFR21
90-2900	255 ±30	15000	GFR2	GFR22
170-5600	578 ±110	20000	GFR3	—

Table 22.33: Adjustable Differential

NEMA 7 & 9 Enclosure

Class I & II, Division 1 & 2, Groups C, D, E, F, G

Range on Decreasing Pressure psig	[6] Adjustable Differential Approximate at Mid-Range	Maximum Allowable Pressure psig	Single Pole	Double Pole
			Double Throw	Double Throw
Diaphragm Actuated—Nitrile (Buna-N) Diaphragm, Zinc Plated Steel Housing				
0.2-10	1.0-2	100	GAR1	GAR21
1-40	2.4-8	100	GAR2	GAR22
1.5-75	4.5-15	240	GAR4	GAR24
3-150	9-35	475	GAR5	GAR25
5-250	15-49	750	GAR6	GAR26
13-425	25-90	850	GBR1	GBR21
20-675	41-130	2000	GBR2	GBR22
Piston Actuated—#440 Stainless Steel Piston, #303 Stainless Steel Housing, Viton Fluorocarbon Diaphragm and O-ring, Teflon® Retaining Ring				
20-1000	89-200	10000	GCR1	GCR21
90-2900	255-560	15000	GCR2	—
170-5600	578-1260	20000	GCR3	GCR23
270-9000	788-1900	25000	GCR4	—

Acceptable Wire Sizes: 12-22 AWG  
Recommended Terminal Clamp Torque: 7 lb-in  
Electrical Rating: see page 22-16  
Temperature Rating: see page 22-16  
Modifications: see page 22-18  
Accessories: see page 22-18  
Renewal Parts Kits: see page 22-30  
Dimensions: see page 22-17



File: E12443 Haz. Loc.  
File: E12158  
File: E12158  
CCN NOWT G-R  
CCN NKPZ G-O, G-G, G-W  
CCN NTHT Marine Use, G-W



File: LR25490  
File: LR26817  
Class 3211-03 G-W, G-O, G-G  
Class 3218-02 G\*R



Complies with IEC 60957.5.1, 5C8.3.4 when protected with a Bussmann CCKTK-R-10 fuse.

[5] For metric threads, add M after the W on all types (offered at an additional cost). To order a Pg13.5 electrical conduit entry and a 1/4"-19 BSP pressure connection, add M12 to the end of the catalog number, as well as adding "M" after "W" for metric threads. For example: 9012GAW1 = 1/2" NPT electrical conduit entry

9012GAWM1 = 20 x 1.5 mm electrical conduit entry  
9012GAWM1M12 = Pg13.5 electrical conduit entry and 1/4-19 BSP pressure connection.

[6] The differential adds to the range setting and determines the operating point on rising pressure.



9012GGW1

**Differential/Dual Stage, Type G**

**Differential-Pressure Operation**

Pressure switches for differential-pressure operation monitor the change in the difference between two pressures. Type G differential-pressure switches are used in applications to signal that a predetermined pressure difference has been reached as a result of a widening or increasing difference between the two pressures. They can also signal that a predetermined pressure difference has been reached as a result of a narrowing or decreasing difference between the two pressures.

**Table 22.34: Differential-Pressure Switches**

**NEMA 4, 4X, 13 Enclosures**

**UL Listed and CSA Certified As Industrial Control Equipment [7]**

Working Pressure Range on Decreasing X (upper) Actuator	Adjustable Difference on Decreasing Pressure (adds to working pressure) Y (lower) Actuator	Adjustable Differential Actuates on Increasing Pressure (adds to adjustable difference)	Maximum Allowable Pressure psi	Single Pole Double Throw Type	Double Pole Double Throw Type
<b>Diaphragm Actuated—Nitrile (Buna-N) Diaphragm, Zinc Plated Steel Housing</b>					
0–75	0.25–10	0.8–2	100	GGW1	GGW21
0–175	0.5–36	5–15	240	GGW4	GGW24
0–500	3–175	22–90	850	GHW1	GHW21
<b>Piston Actuated—#440 Stainless Steel Piston. #303 Stainless Steel Housing, Viton® Fluorocarbon Diaphragm and O-ring, Teflon® Retaining Ring</b>					
0–5000	15–825	80–200	7500	GJW1	GJW21

**Dual-Stage Operation**

Type G dual stage pressure switches are designed for use in applications where two separate pressure operations must be controlled by a single pressure monitoring device. These controls are most commonly used where dual functions are required or in sequencing applications such as alarm, followed by shutdown.

**Table 22.35: Dual-Stage Pressure Switch**

**NEMA 4, 4X, 13 Enclosure**

**UL Listed and CSA Certified As Industrial Control Equipment [8]**

Range Setting Limits of Pressure Between Which Stage 1 Can Be Adjusted to Operate on Decreasing Pressure	Add Adjustable Spread to Range Setting to Obtain Decreasing Operating Point of Stage 2	Fixed Differential—Add to Low (Decreasing) Operating Point to Obtain Approximate High (Rising) Operating Point of Each Stage		Maximum Allowable Pressure psi	SPDT Each Stage Type
		Stage 1	Stage 2		
<b>Diaphragm Actuated—Nitrile (Buna-N) Diaphragm, Zinc Plated Steel Housing</b>					
2–10	1–5	1.0 ±0.2	1.5 ±0.4	100	GKW1
1–40	4–20	4.0 ±1.0	6.0 ±1.5	100	GKW2
1.5–75	6–30	5.0 ±1.5	8.0 ±2.0	240	GKW4
3–150	12–75	8.0 ±2.0	12 ±3	475	GKW5
5–250	22–110	14 ±3	21 ±5	750	GKW6
13–425	40–180	20 ±4	30 ±7.5	850	GLW1
20–675	45–250	30 ±6	45 ±11	2000	GLW2
<b>Piston Actuated—#400 Stainless Steel Piston. #303 Stainless Steel Housing, Viton Fluorocarbon Diaphragm and O-ring, Teflon® Retaining Ring</b>					
20–1000	50–300	50 ±10	75 ±19	10000	GMW1
90–2900	140–800	140 ±30	210 ±52	15000	GMW2
170–5600	300–1700	275 ±60	400 ±100	20000	GMW3
270–9000	500–2500	400 ±80	800 ±150	25000	GMW4



9012GKW1

**Ordering Dual-Stage Pressure Switches**

- Specify Class 9012 Type..., and indicate the high or low operating point for each stage within the limits shown in the above table.

**Example:**

Class 9012 Type GKW4  
Set: Stage 1 at 30 psi decreasing pressure  
Stage 2 at 50 psi decreasing pressure  
(20 psi spread)

Differential of each stage will be approximately as shown in the table above.

- For available modifications see page 22-18. If one or more of these modifications are desired, add the appropriate Form to the Class and Type. Arrange form letters in alphabetical order when ordering more than one modification.

Acceptable Wire Sizes 12-22 AWG  
Recommended Terminal Clamp Torque 7 lb-in  
Electrical Rating page 22-16  
Temperature Rating page 22-16  
Modifications page 22-18  
Accessories page 22-18  
Renewal Parts Kits page 22-30  
Dimensions page 22-17



File E12158  
File E12158  
CCN NKPZ  
CCN NTHT - Marine Use



File LR25490

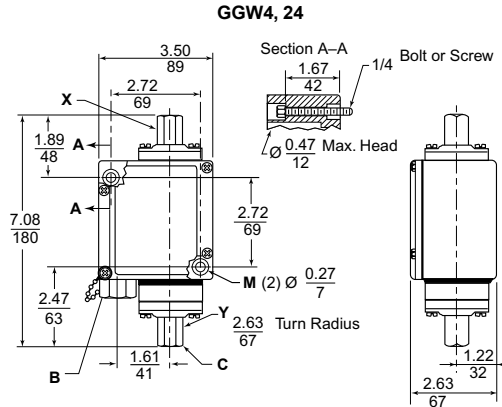
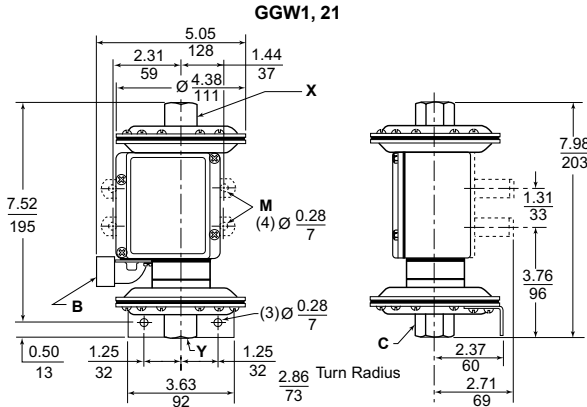
Class 3211-03



[7] UL Marine Listed for use on vessels greater than 65 feet long where ignition protection is not required.  
[8] UL Marine Listed for use on vessels greater than 65 feet long where ignition protection is not required.



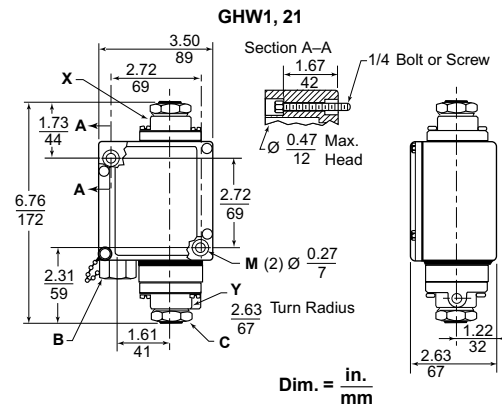
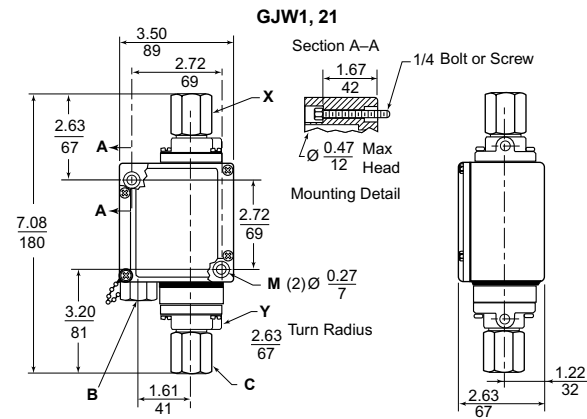
**Dimensions**  
9012G Dimensions, in. (mm)



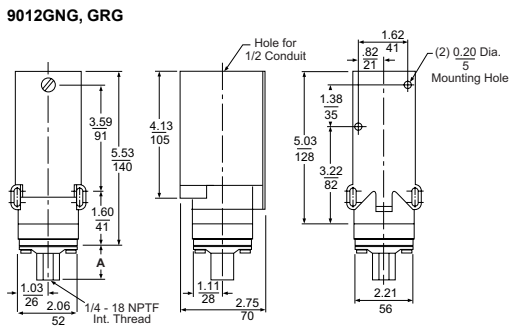
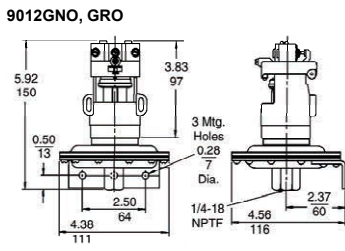
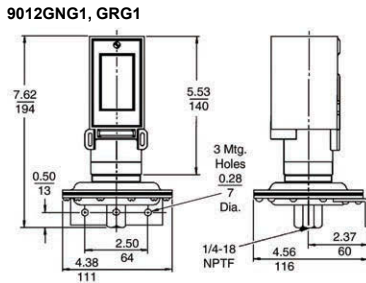
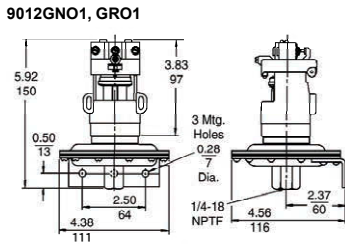
**B** = Conduit  
Standard = 1/2-14 NPT  
Options = Pg 13.5, 20 mm

**C** = Fluid Connection  
Standard = 1/4-18 NPTF  
Options = G 1/4

**X** = Lower pressure source  
**Y** = Higher pressure source



Dim. = in.  
mm



Type	Dimension A, in. (mm)
GNO, GRO 3, 4, 5, 6	1.41 (35.8)
GPO, GSO 1, 2, 3	1.31 (33.3)
GQO, GTO 1, 2, 3, 4	2.24 (56.9)

Type	Dimension A, in. (mm)
GNG, GRG 3, 4, 5, 6	1.41 (35.8)
GPG, GSG 1, 2, 3	1.31 (33.3)
GQG, GTG 1, 2, 3, 4	2.24 (56.9)

Factory Modifications and Accessories

Table 22.42: Factory Modifications for Class 9012 Pressure Switches

Modification	Applies to Pressure Switch Type	Form
Lock on rising pressure, manual reset only	Available on GDW, GDWM, GEW, GEWM, GFW, GFWM only	E3
120 Vac or Vdc neon pilot light	Available on all GAW–GMW, GAWM–GFWM	with clear lens G17 with red lens G18 with clear lens G21 with red lens G22
24 Vdc only LED	For pilot light conversion kits: See 9998 PC-306–308. Complete Class and Type information required	G21 G22
24 Vdc LED pilot light with green lens	Class 9012 GAW–GMW and GAWM–GFWM, or Class 9016 GAW and Class 9025G	G23
SPDT snap switch rated 1.1 A at 125 Vdc (minimum differential doubles)	Available on GAR–GFR, GAW–GJW, GAWM–GFWM	H3
Prewired 5-pin Brad Harrison male receptacle #41310 or interchangeable Crouse-Hinds receptacle. For use with Brad Harrison female portable plug #41306, 41307, 41308, or equivalent.	Available on GAW–GJW single pole devices only	H10 or H11
Micro connector, 4-pin, for 24 Vdc pilot light	G•W (single pole only), except GAW2 and Form B2.	H17
External range adjustment (includes knob and range scale window)	GAW–GFW, GAWM–GFWM, GKW–GMW	K
External range adjustment slotted for screwdriver (includes range scale window)	GAW–GFW, GAWM–GFWM, GKW–GMW	K1
Pg 13.5 conduit thread and 1/4–19 BSP pressure connection	G•WM only	M12
Standard Nitrile (Buna-N) diaphragm in #316 stainless steel flange	<b>Not available</b> on Types 1 and 21. <b>Available</b> on all other GAR, GAW, GBR, GBW, GDR, GDW, GER, GEW, GAWM, GBWM, GDWM, GEWM, GGW, GHW, GKW, and GLW switches.	Q1
Ethylene propylene diaphragm in #316 stainless steel flange	<b>Not available</b> on Types 1 and 21. <b>Available</b> on all other GAR, GAW, GBR, GBW, GDR, GDW, GER, GEW, GAWM, GBWM, GDWM, GEWM, GGW, GHW, GKW, and GLW switches.	Q3
Viton® fluorocarbon diaphragm in #316 stainless steel flange	<b>Not available</b> on Types 1 and 21. <b>Available</b> on all other GAR, GAW, GBR, GBW, GDR, GDW, GER, GEW, GAWM, GBWM, GDWM, GEWM, GGW, GHW, GKW, and GLW switches.	Q4
Range scale window (standard with Forms K and K1)	GAW–GMW, GAWM–GFWM	V1
Special setting specified (If indicating only a fixed differential setting, specify whether this setting is on increasing or decreasing pressure.)	All 9012G	Y1
1/4"-18 NPT external thread pressure connection	GAR, GAW, GDR, GDW, GGW, GKW Not available in combination with Forms Q1, Q3, Q4.	Z
1/2"-14 NPT external thread, 1/4"-18 NPTF internal thread pressure connection	GAR, GAW, GDR, GDW, GGW, GKW Not available in combination with Forms Q1, Q3, Q4.	Z16
7/16"-20 UNF-2B internal thread pressure connection	GAR–GFR; GAW–GMW Not available in combination with Forms Q1, Q3, Q4.	Z18

Table 22.43: Factory Modifications for Renewal Parts Kits for Class 9012 Pressure Switches

Suffixes for renewal parts kits, see page 22-30

Modification	Applies to Parts Kit Type	Form
SPDT snap switch rated 1.1 A at 125 Vdc (minimum differential doubles)	PC313	H3
Standard Nitrile (Buna-N) diaphragm in #316 stainless steel flange	PC177–179, PC268, 269 PC265–267	Q1
Ethylene propylene diaphragm in #316 stainless steel flange	PC177–178, PC268, 269 PC266, 267	Q3
Viton® fluorocarbon diaphragm in #316 stainless steel flange	PC177–178, PC268, 269 PC265–267	Q4
1/4"-18 NPT external thread pressure connection	PC265–269	Z
1/2"-14 NPT external thread, 1/4"-18 NPTF internal thread pressure connection	PC265–269	Z16
7/16"-20 UNF-2B internal thread pressure connection	PC177, 178, PC265–273	Z18

Table 22.44: Class 9049 Accessories for Class 9012 Pressure Switches

Description	Applies to Class	Type
Stainless steel surge reducer for use on oils, coolants, and hydraulic fluids (not recommended for air or water)	9012G	A26S



**Type GAW—Sensitive Control Applications**

9016GAW vacuum switches are provided with double throw contacts; normally open and normally closed circuits allow these controls to be used for standard or reverse action applications.

Standard devices can be mounted from the front with the bracket provided. Two mounting screws are required for a firm attachment to any smooth, flat surface. Allowance must be made for flange projection. Controls with Form F modification include two mounting feet with 9/32" mounting holes on 3-3/4" centers. Range and Differential adjustments are internal and exposed by removal of the front cover.

Maximum allowable positive pressure: 100 psig.

Diaphragms are oil resistant, nitrile butadiene (Buna N) rubber.

Electrical Ratings and Temperature Limitations—See page 22-14 for Type G machine tool.

Dimensions—See page 22-17.

**Table 22.45: Class 9016, Diaphragm Actuated**

Range on Decreasing Vacuum (In. of Hg)	Adjustable Differential Adds to Range <sup>[1]</sup> (In. of Hg)	Contact Arrangement	Pipe Tap (NPTF)	Enclosure	
				NEMA 4, 4X & 13	NEMA 7 & 9 <sup>[2]</sup>
				Type	Type
0–28.7	At Minimum Range: 0.8–9 At Mid-Range: 1.3–7.4	1 N.O., 1 N.C.	1/4"-18	GAW1	GAR1
0–25	5–20	1 N.O., 1 N.C.	1/4"-18	GAW2	N/A
0–28.3	At Minimum Range: 1–9 At Mid-Range: 1.7–7.4	2 N.O., 2 N.C.	1/4"-18	GAW21	GAR21
0–25	5–20	2 N.O., 2 N.C.	1/4"-18	GAW22	N/A

**Table 22.46: Available Modifications**

Description	Form
Range scale window	V1
1/4"-18 NPT external thread pressure connection	Z
1/2"-14 NPT external thread, 1/4"-18 NPTF internal thread pressure connection (standard actuator only)	Z16



File E12443 Haz Loc  
File E12158  
File E12158

CCN NOWT G\*R  
CCN NKPZ G\*W  
CCN NTHT Marine Use, G\*W



File LR25490 Type GAW only  
File LR26817 Type GAR only  
(NEMA 7 and 9 Haz Loc)



**Type GVG—Power Circuit Applications**

The 9016GVG1 vacuum switch is a companion to the 9036GG and 9037GG float switches commonly used on vacuum heating pumps. Electrical ratings of float and vacuum switch types are equal.



Class 9016 Type GVG1  
Forms E, F

**Table 22.47: Class 9016, Contacts Open on Increasing Vacuum**

Cut-out Range (In. of Hg)	Approximate Adjustable Differential (In. of Hg)	Cut-in Range (In. of Hg)	Poles	Pressure Connection	NEMA 1 Enclosure
					Type
5–25	5–10	0–20	2	1/4"-18 NPSF	GVG1

**NOTE:** Maximum allowable positive pressure: 150 psig. In. of Hg = inches of mercury.

**Table 22.48: Available Modifications**

Description	Form
3-way lever—nameplate marked: Float only—Vacuum and Float—Continuous (factory modification only)	E
Mounting bracket (for retrofit, order 9049A53 bracket kit)	F
Reverse action—normally open contacts	R
1/4" male pipe connection (1/4"-18 NPT, external thread) (for retrofit, use 1/4" pipe nipple)	Z

**Table 22.49: Electrical Ratings—9016GVG**

Voltage	AC		DC
	Single Phase	Polyphase	
110 V	2 hp	3 hp	1 hp
220 V	3 hp	5 hp	1 hp
440–550 V	5 hp	5 hp	—
32 V	—	—	1/2 hp

**NOTE:** Control Circuit Rating: A600

**Table 22.50: Vacuum Codes**

Settings (In. of Hg)	Code
3–8	J09
16.5–25	J10
17–22	J11
18–23	J12
20–25	J13
Specify other setting (minimum order quantity is 4 pieces)	J99

**Ordering Information:** Specify Class 9016 Type G. Give vacuum settings within the limits of the listings above.

**For Setting Codes,** see the table entitled Vacuum Codes above. If special features are desired, add the appropriate Form letter to the Class and Type. Arrange the Form letters in alphabetical order when ordering more than one special feature.



File E12158  
CCN NKPZ



File LR25490

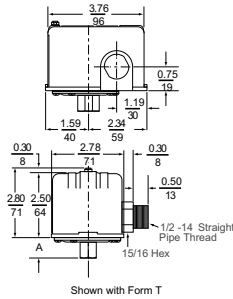
Dimensions page 22-16

[1] Add Differential to Range to obtain the operating point on increasing vacuum (within vacuum limitations). The differential increases linearly over its range.

[2] The minimum differential doubles with NEMA 7 & 9 enclosures.



**PUMPTROL™**  
Pressure Switch



**Table 22.52: Special Features and Modifications for Type FHG<sup>[1]</sup>**

Description	Form
Bulk pack	[2]
Addition of a second ground screw	G4[3]
Maintained manual cut-out lever (Auto-Off)	M1
Pulsation plug—factory order only (available only on 1/4-inch fittings, not to include 4-way)	P
Slip-on connectors (load side terminals only)	U
Slip-on connectors (line and load terminals)	U2
Two-way pressure release valve	X
Quick connect two-way pressure release valve (for use with Polyflow® tubing)	X1
Black cover	Z22

**Table 22.54: Pressure Code (fixed differential)<sup>[1]</sup>**

Off at...	Code A
80 psi	J43
100 psi	J27
110 psi	J37
115 psi	J38
120 psi	J69
125 psi	J52
135 psi	J39
140 psi	J68
155 psi	J40
150 psi	J55
175 psi	J59
Specify other pressure (minimum order quantity is 4 pieces)	J99

**NOTE:** The existence of a code does not imply that the code is available for any or all devices.



File E12158  
CCN NKPZ



File LR25490

**NOTE:** If conduit or pressure line is rigid, UL; if both are flexible, UR.

Class 9013 / Refer to Catalog 9013CT9701

**FHG Pressure Switch Selection and Features**

Class 9013 Type FHG pressure switches are designed for the control of small electrically driven air compressors.

- Contacts open on pressure rise.
- Diaphragm actuated.
- For application data, see page 22-16.
- For repair parts kits, see page 22-30.

**Table 22.51: Dimensions, Type F (Net Weight, 1-1/8 lb)**

Switch Type	A	
	in.	mm
FHG2, 12, 22, 32, 42, 52 / FRG2, FSG2, FYG2	2-29/32	23
FHG3, 13, 33 / FRG3, FSG3, FYG3	1-9/32	33
FHG9, 19, 29, 39, 49, 59 / FSG9, FYG9	1-3/32	28

**Table 22.53: Selection Table**

Adjustable Cut-out Range Increasing Pressure (psig)	Approximate-Differential Fixed (psig)	Poles	Pressure Connection	NEMA 1 Enclosure	
				Lower hp	Higher hp
				Type	Type
40-100	20	2	1/4" NPSF internal	FHG2	FHG22
			3/8" NPSF internal	FHG3	—
			1/4" four way	FHG4	FHG24
70-150	30	2	1/4" NPT external	FHG9	FHG29
			1/4" NPSF internal	FHG12	FHG32
			3/8" NPSF internal	FHG13	FHG33
			1/4" four way	FHG14	FHG34
			1/4" NPT external	FHG19	FHG39
100-200	40	2	1/4" NPSF internal	FHG42	FHG52
			1/4" four way	FHG44	FHG54
			1/4" NPT external	FHG49	FHG59

**Table 22.55: Electrical Ratings For All 9013 Switches**

Switch Type	Voltage	Single Phase AC	Polyphase AC <sup>[4]</sup>	DC	Control Circuit Rating
FHG2, 9, 12, 13, 14, 19,	115	1-1/2 hp	2 hp	1/4 hp <sup>[5]</sup>	A600
42, 43, 44, 49	230	2 hp	3 hp	1/4 hp <sup>[5]</sup>	
FSG, FSW	460/575	—	1 hp	—	
FHG22, 29, 32, 33, 34, 39,	115	2 hp	3 hp	1/2 hp <sup>[6]</sup>	A600
52, 54, 59	230	3 hp	5 hp	1/2 hp <sup>[6]</sup>	
FYG, FYW	460/575	—	1 hp	—	
FRG One Pole (All Form H)	32	—	—	—	A300
	115	1 hp	—	1/4 hp	
FRG Two Pole	230	1 hp	—	1/4 hp	A300
	32	—	—	1/4 hp	
	115	1 hp	1 hp	1/4 hp	
All 9013G Form H	230	1 hp	1 hp	1/4 hp	A600
	115	1 hp	—	1/2 hp	
	230	2 hp	—	1/2 hp	
	460/575	2 hp	—	—	
All 9013G, except Form H	115	2 hp	3 hp	1 hp	A600
	230	3 hp	5 hp	1 hp	
	460/575	1 hp	1 hp	—	

**Ordering Information**

- Specify Class 9013 Type FHG.
- Select pressure code from the table entitled Pressure Code (fixed differential) on the left side of the page, and add the code designation to end of the Type number. Ensure that the pressure rating of the code falls within the limits of the device as shown in Table 22.53, page 22-20.
- To order special features as shown in Table 22.52, add the appropriate Form designation to the Class and Type. Arrange Forms in alphabetical order when specifying more than one feature or modification. Accessories: page 22-22

[1] Some product configurations are not available—contact your Schneider Electric representative for details.  
 [2] For bulk package quantities and Form numbers, see Table 22.62 on page 22-21. If a Form is not specified, devices will be shipped individually packaged.  
 [3] Can be field installed. Nameplate should then be marked with the Form letter and maintenance and ordering records corrected.  
 [4] See 1993 NEC Article 430-84  
 [5] DC rating does not apply to Form M4.  
 [6] 1/4 hp with Form M1.



**Table 22.56: Pressure Codes [7]**

Standard Action Devices		Reverse Action Devices	
Settings	Code	Settings	Code
5–21 psi	J15	10–5 psi	J36
8–20 psi	J16	22–12 psi	J22
20–40 psi	J20	22–16 psi	J19
20–50 psi	J18	35–20 psi	J70
30–50 psi	J21	40–20 psi	J23
40–60 psi	J24	50–30 psi	J35
50–70 psi	J33	150–120 psi	J64[8]
60–80 psi	J25		
Specify other pressure	J99[8]	Specify other pressure	J99[8]

**Table 22.58: Maximum Allowable Pressure for All 9013 Switches**

Type	Pressure
FHG, FSG, FYG, FSW, FYW, FRG	220 psig
GHB, GHG, GSB, GSG	300 psig
GMG, GSR, GSW	100 psig
GHR, GHW	250 psig

**Table 22.59: Temperature Limitations for All 9013 Switches**

Operation (Media)	Storage
Min. -36 °C (-33 °F) Max. +125 °C (+257 °F)	Min. -36 °C (-33 °F) Max. +125 °C (+257 °F)

**Ordering Information**

- Specify Class 9013 Type F.
- Select the pressure code from the Pressure Code table above, and add the code designation to the end of the Type number. Ensure that the pressure rating of the code falls within the limits of the device as shown in Table 22.57 and Table 22.60.
- To order special features from Table 22.61, add the appropriate Form letter to the Class and Type. Arrange the Form letters in alphabetical order when ordering more than one special feature.

Electrical Ratings: see  
Dimensions: see  
Renewal Parts Kits



File E12158 CCN NKPZ

File LR25490

**NOTE:** Products on this page are UL Listed, however type numbers ending in 8, 10 or 20 (non rigid pressure lines) must have Form T or TI—otherwise these are UL component recognized.

**Type F Pressure Switch Selection and Features**

- Designed for the control of electrically driven water pumps. Diaphragm actuated.
- Type FSG is the standard water pump switch, suitable for all types of pumps: jets, submersible, reciprocating, etc.
- Type FYG is designed to meet higher horsepower and pressure requirements.
- Type FRG is reverse acting: contacts open on falling pressure.

**Table 22.57: Standard Action: Contacts Open On Rising Pressure**

Cut-out Range (psig)	Approximate Adjustable Differential (psig)	Cut-in Range (psig)	Pressure Connection	2 Pole	
				NEMA 1 Type	NEMA 3R[9] Type
20–65	15–30	5–45	1/4" NPSF internal	FSG2	FSW2
			1/4" NPT external	FSG9	FSW9
			1/4" bayonet (barbed)	FSG10	FSW10
			90° elbow 1/4" bayonet	FSG20	FSW20
20–50	10–30	10–30	1/4" NPSF internal	FSG22	FSW22
20–60	10–30	10–45	1/4" NPT external	FSG29	FSW29
9–30	6–20	3–10	1/4" NPSF internal	FSG42	FSW42
9–30	6–20	3–10	1/4" NPT external	FSG49	FSW49
25–80	20–30	5–60	1/4" NPSF internal	FSG52	—
			1/4" NPT external	FSG59	—
34–65	15–30	19–45	(FSG1 through 20 with Form M4 is only available in this range)		
25–80	20–30	5–60	1/4" NPSF internal	FYG2	FYW2
			1/4" NPT external	FYG9	FYW9
			1/4" bayonet (barbed)	FYG10	FYW10
			90° elbow 1/4" bayonet	FYG20	FYW20
39–80	20–30	19–60	(FYG1 through 20 with Form M4 is only available in this range)		
20–50	10–30	10–30	1/4" NPSF internal	FYG22	FYW22
20–60	10–30	10–45	1/4" NPT external	FYG29	FYW29
9–40	6–30	3–10	1/4" NPSF internal	FYG42	FYW42
9–40	6–30	3–10	1/4" NPT external	FYG49	FYW49

**Table 22.60: Reverse Action: Contacts Open On Falling Pressure**

Cut-in Range (psig)	Approximate Adjustable Differential (psig)	Cut-out Range (psig)	Pressure Connection	1-Pole	2-Pole
				Type	Type
23–65	15–30	8–45	1/4" NPSF internal	FRG12	FRG2
			3/8" NPSF internal	FRG13	FRG3
			1/4" NPT external	FRG19	FRG9
10–45	6–20	4–25	1/4" NPSF internal	FRG32	FRG22
			3/8" NPSF internal	FRG33	FRG23
			1/4" NPT external	FRG39	FRG29
6–14	5, Fixed	1–9	1/4" NPSF internal	FRG52	FRG42
			3/8" NPSF internal	FRG53	FRG43
			1/4" NPT external	FRG59	FRG49
40–100	20–30	20–80	1/4" NPSF internal	FRG72	FRG62
			3/8" NPSF internal	FRG73	FRG63
			1/4" NPT external	FRG79	FRG69
65–150	30–45	35–120	1/4" NPSF internal	FRG92	FRG82
			3/8" NPSF internal	FRG93	FRG83
			1/4" NPT external	FRG99	FRG89

**Table 22.61: Special Features and Modifications for Type FSG, FYG & FRG Devices**

Description	Applies to Types	Form
Bulk package	All Type F	[11]
One normally open—one normally closed contact	FRG 2-Pole only	H
Maintained manual cut-out lever (Auto-Off)	FSG, FYG	M1
Momentary manual cut-in lever (Auto-Start)	FRG2-59 only	M3
Low pressure cut-off (Auto-Start-Off) – Operates at approximately 10 psig below cut-in and will turn off the pump	FSG, FYG	M4
Maintained manual cut-in lever (Auto-On)	FRG2-59 only	M5
Pulsation plug (Type 2 & 9 only)	FRG, FSG, FYG	P[12]
Plastic flange (max. temp. 120 °F) (max. pressure 80 psi) Available only on Types FSG2, FYG2, FRG2, FSG*2, FYG*2, FRG*2	FSG*, FYG*, FRG*	Q8
	1/4" NPSF internal only	
1/2" conduit bushing, 1/2" long thread—on left	All Type F	T
Slip-on connectors (load side terminals only)	FSG, FYG	U
Slip-on connectors (line and load terminals)	FSG, FYG	U2
Black cover	FSG, FYG	Z22

[7] Existence of a code does not imply that the code is available for any or all devices.

[8] Minimum order quantity is 4 pieces.

[9] Must be mounted in vertical position to maintain enclosure rating.

[10] Some product configurations are not available—contact your Schneider Electric representative for details.

[11] For bulk package quantities and Form numbers, see Table 22.62 on page 22-21. If a Form is not specified, devices will be shipped individually packaged.

[12] Nylon pulsation plug can be field installed on types having 1/4" NPSF internal connector.

Part number 1530S6G1 is one bag of 50 plugs.

**Table 22.62: Bulk Package Form Numbers for 9013F Pressure Switches**

Description		Bulk Package Quantity					
		16	20	40	50	400	500
Product without Forms M1, M3, M4, M5, T, X1	9013FHG (without 1/4" four-way)	—	C20	—	C50	—	—
	9013FHG4, 14, 24, 34, 44, 54 (with 1/4" four-way)	—	C20	—	C50	C400	—
	9013FRG	—	C20	—	C50	—	—
	9013FSG	—	C20	—	C50	—	—
	9013FYG	—	C20	—	C50	—	—
Product with Forms M1, M3, M4, M5	9013FHG (without 1/4" four-way)	—	C20	C40	—	—	—
	9013FHG4, 14, 24, 34, 44, 54 (with 1/4" four-way)	—	C20	C40	—	—	—
	9013FRG	—	C20	C40	—	—	—
	9013FSG	—	C20	C40	—	—	—
	9013FYG	—	C20	C40	—	—	—
Product with Forms T, X1	9013FHG (without 1/4" four-way)	C16	—	C40	—	—	—
	9013FHG4, 14, 24, 34, 44, 54 (with 1/4" four-way)	C16	—	C40	—	—	—
	9013FRG	C16	—	C40	—	—	—
	9013FSG	C16	—	C40	—	—	—
	9013FYG	C16	—	C40	—	—	—
9013FHG9 Special with Extended Flange		C16	—	—	—	—	C500

**Type G Pressure Switch Selection and Features**

Class 9013 Type G Pumtrol pressure switches are designed to control electrically driven water pumps and air compressors. These devices cover higher electrical ratings for directly controlling motors in pump and compressor applications.

- Contacts open on pressure rise.
- Diaphragm actuated.
- For electrical ratings, see .
- For repair parts kits, see [page 22-30](#).

PUMPTROL™



Shown with Form X



File E12158  
CCN NKPZ

File E12443  
CCN NOWT  
Haz Loc



File 25490  
File 26817  
Haz. Loc.

**Table 22.63: Pressure Codes**

Code	Pressure Setting (Close-Open), psi
J20	20–40
J21	30–50
J23	40–20 (reverse action)
J24	40–60
J25	60–80
J26	70–90
J28	70–100
J29	75–100
J30	80–100
J31	90–120
J50	135–175
J51	100–80 (reverse action)
J53	100–125
J54	110–125
J56	110–150
J57	120–150
J58	125–150
J60	125–175
J61	130–175
J62	140–175
J63	145–175
J64	150–120 (reverse action)
J65	215–250
J99	Specify the required setting

**Table 22.65: Selection Tables**

Cut-out Range (psig)	Approximate Adjustable Differential (psig)	Cut-in Range (psig)	Enclosure	Poles	NPSF Internal Pressure Connection	Type
10–35	4–8	5.5–30.5	NEMA 1 (General Purpose)	2	1/4	GMG2
20–80	15–30	5–60	NEMA 3R [13] (Rainproof)	2	1/4	GSB2
20–80	15–30	5–60	NEMA 1 (General Purpose)	2	1/8	GSG1
					1/4	GSG2
					3/8	GSG3
20–80	20–40	5–50	NEMA 7 & 9 (Hazardous Locations)	2	1/8	GSR1
					1/4	GSR2
					3/8	GSR3
					1/8	GSW1
					1/4	GSW2
65–200	20–40	40–170	NEMA 3R [13] (Rainproof)	2	1/4	GHB2
					1/8	GHG1
					1/4	GHG2
65–200	20–40	40–170	NEMA 1 (General Purpose)	2	3/8	GHG3
					1/8	GHR1
					1/4	GHR2
					3/8	GHR3
					1/8	GHW1
65–200	30–50	35–150	NEMA 4 (Watertight)	2	1/4	GHW2
					3/8	GHW3
					1/8	GHB5
					1/4	GHG4
					3/8	GHG6
80–250	24–45	32–215	NEMA 3R [13] (Rainproof)	2	1/8	GHG4
					1/4	GHG5
					3/8	GHG6
					1/8	GHR4
					1/4	GHR5
80–250	40–60	30–190	NEMA 7 & 9 (Hazardous Locations)	2	3/8	GHR6
					1/8	GHW4
					1/4	GHW5
					3/8	GHW6
					1/8	GHW6

**NOTE:** Some product configurations are not available. Contact your Schneider Electric representative for details.

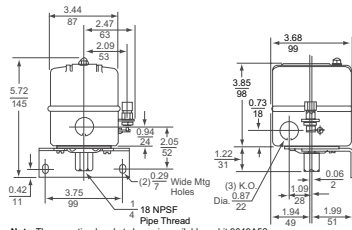
**Table 22.64: Special Features and Modifications**

Description	Form Letter
3-Way Lever (On-Auto-Off)	E
One Normally Open / One Normally Closed Contact	H
Pulsation Plug	P
Reverse Action	R
Slip-On Connectors (Load Side Terminals Only)	U
Slip-On Connectors (Line and Load Terminals)	U2
Two-Way Pressure Release Valve	X
1/4" Male Pipe Thread on Pressure Connection	Z
1/2"-14 NPT External	Z16
3/4"-18 NPT Internal	

**Ordering Information**

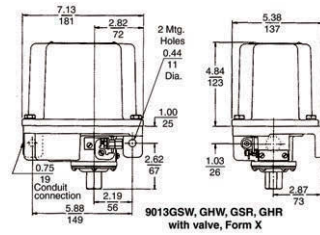
- Specify Class 9013 Type G.
- Select the pressure code from [Table 22.63](#), and add the code to the end of the Type number. Ensure that the pressure rating of the code falls within the limits of the device. See [Table 22.65](#).
- To order special features, add the appropriate Form letter to the Class and Type. Arrange Form letters in alphabetical order when ordering more than one special feature.

[13] Must be mounted in vertical position to maintain enclosure rating.



Note: The mounting bracket shown is available as kit 9049AS2.

**9013GHG, GSG - with or without Form X**



**9013GSW, GHW, GSR, GHR with valve, Form X**

**Table 22.66: Special Features and Modifications for Type G Devices [14]**

Description	Applies to	Form
Standard pack of 10 switches[15]	All Type G	C10
3-way lever (On-Auto-Off) (not compatible with Form X)	GHG, GMG, GSG	E
1 N.O., 1 N.C. contact	All Type G	H
Pulsation plug (not field replaceable.)	All Type G	P
Reverse action (Select pressure code from Table 22.60)	All Type G	R
Slip-on connectors (load side terminals only)	All Type G	U
Slip-on connectors (line and load terminals)	All Type G	U2
Two-way pressure release valve (Not compatible with Form E)	GHB, GMG, GSB, GHG, GSG GHR, GHW, GSR, GSW	X
1/4" male pipe thread on pressure connection	All Type G	Z
1/2"-14 NPT external 1/4"-18 NPT internal[16]	All Type G	Z16

**Table 22.67: Class 9049 Accessories for Class 9013 Pressure Switches**

Type	Description	Applies to Class
A12	Two-way pressure release valve, replacement only. Cannot be added to switch that originally had no valve.	9013GHG, GSG, Form X only
A52	Mtg. bracket—replacing obsolete 9013A with 9013G	9013GHG, GSG
A53	Mtg. bracket—replacing obsolete 9013A with 9013G, or for current 9016GVG	9013GMG, 9016GVG
A56	Two-way pressure release valve. Replacement only. Cannot be added to switch that originally had no valve.	9013FHG, Form X only

[14] Some product configurations are not available—contact your Schneider Electric representative for details.  
 [15] Available on GHB, GHG, GSB, and GSG.  
 If Form C10 is not specified, devices will be shipped individually packaged  
 [16] UL Listed industrial control equipment.



Type DG2



File No. E12158  
File No. E12443  
Haz Loc



Type GG



File LR25490  
File LR26817  
Haz Loc

**Open Tank or Sump Applications**

Ambient temperature ratings: Min. -30 °C (-22 °F); Max. +105 °C (+220 °F).

For accessories, refer to [page 22-30](#).

**Table 22.68: Class 9036, 2-Pole, Single Lever Operated**

Contact Operation	NEMA 1	NEMA 4	NEMA 7, 9
	Type	Type	Type
Close on liquid rise	DG2	DW31	DR31
Open on liquid rise	DG2R	DW31R	DR31R
Close on liquid rise	GG2	GW1	GR1
Open on liquid rise	GG2R	GW1R	GR1R

Order the universal mounting bracket and float accessory kits separately from the Class 9049 Accessories section on [page 22-30](#). Types GW and GR use a center-hole float. Devices with Form C use a center-hole float. All others use a tapped-at-top float.

**Table 22.69: Modifications [1]**

Description	Factory Installed	Field Installed
	Form	Class 9049 Kit
Types DG, DW, DR		
Reverse action (Type DG)	R	A58
Compensating spring (Type DG)	C	A19
Compensating spring (Type DR, DW)	C	A20
Compensating spring and reverse action	CR	Not available
Types GG, GW, GR		
Compensating spring for Type GG2	C	9049A13
Combination of compensating spring and reverse action (Type GG2)	CR	9049A13
1 N.O., 1 N.C. contact configuration	H	Not available
Combination of comp. spring & 1 N.O., 1 N.C. contact for Type GG2	CH	Not available
Reverse action (Type GR, GW)	R	Not available

**Table 22.70: Class 9049 Float Accessory Specifications (oz)**

Item	Type A6	Type A6S	Type A6C	Type A6CS	Type A6A	Type A6CA
Net buoyancy[2] (in water) 7" float	60[3]	60[3]	70[3]	70[3]	60[3]	70[3]
Weight of 5 ft rod	18.5	16.9	18.5	16.9	6	6
Weight of extra ft of rod (per ft)	3.7	3.4	3.7	3.4	1.2	1.2
Total weight of stops	3 (2 stops)	3 (2 stops)	6 (4 stops)	6 (4 stops)	3 (2 stops)	6 (4 stops)

[1] Some product configurations are not available—contact your Schneider Electric representative for details.

[2] Buoyancy data is calculated for use in water. Consult factory for buoyancy data in media with a different specific gravity than water.

**When ordering float accessories**, first specify the desired float accessory package, such as 9049A6 or 9049A6CS, then as a second item give the number of additional rod kits required.

For example, for a 9049A6 with 15 ft of rod, order as follows:

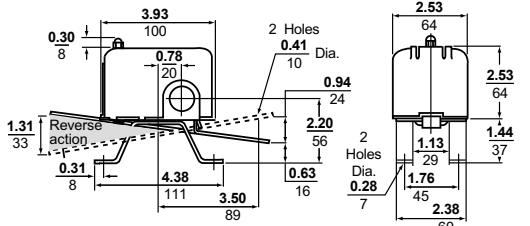
Item A = 9049A6, quantity = 1; Item B = 9049T1, quantity = 4.

[3] Net buoyancy of float has been calculated with float 80% submerged, thus allowing 20% factor of safety.

**Table 22.71: Maximum Forces at Which Switches Are Tested (oz)**

Type	Force Up To Trip	Force Down To Trip	Weight Supported with Compensating Spring	Type (with or without Form H)	Lever Length Position	Force Up to Trip	Force Down to Trip	Weight Supported with Compensating Spring at Max. Adjustment (oz)
DG2	9	8	60	GG2	Short	33	39	[4]
DG2 Form R	8	8	60	GG2	Long	21	27	100
DW31	8	8	66	GG2 Form R	Short	30	24	[4]
DW31 Form R	8	8	66	GG2 Form R	Long	22	16	150
DR31	8	8	66	GR1, GW1	Short	24	31	80
DR31 Form R	8	8	66	GR1, GW1	Medium	22	29	72
				GR1, GW1	Long	20	27	64

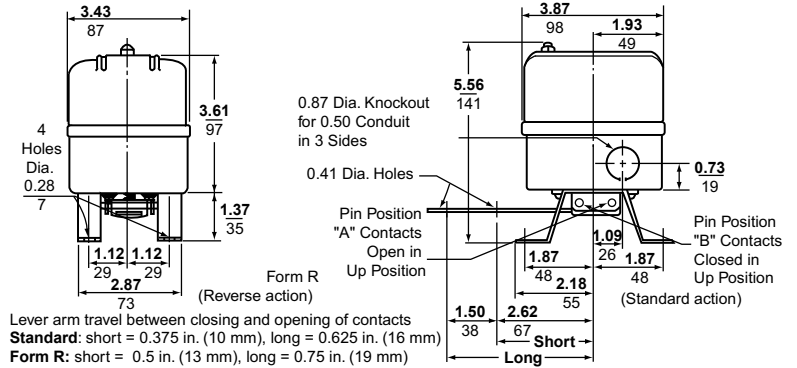
**Type DG Dimensions**



Float lever travel between closing and opening of contacts: short = 1 in. (25 mm), medium = 1.12 (28 mm), long = 1.25 in. (31.8)

For Type DR/DW dimensions, see catalog 9034CT9701.

**Type GG Dimensions**



Lever arm travel between closing and opening of contacts  
**Standard:** short = 0.375 in. (10 mm), long = 0.625 in. (16 mm)  
**Form R:** short = 0.5 in. (13 mm), long = 0.75 in. (19 mm)  
 For Type GR/GW dimensions, see catalog 9034CT9701.

**Table 22.72: Electrical Ratings for All Float Switches**

Applies to Class and Type	Control Circuit	Single Phase AC			Polyphase AC [5]			DC		
		115 V	230 V	460/ 575 V	115 V	230 V	460/ 575 V	32 V	115 V	230 V
9036DG, DR, DW (2-pole), FG	A600	2 hp	3 hp	—	3 hp	5 hp	1 hp	1/4 hp	1/2 hp	1/2 hp
9036GG, GR, GW (2-pole)	A600	2 hp	3 hp	5 hp	3 hp	5 hp	5 hp	1/2 hp	1 hp	1 hp
9036G Form H (1 N.O., 1 N.C.)	A300	1 hp	2 hp	2 hp	—	—	—	—	1/2 hp	1/2 hp
9037EG, ER, EW; HG, HR, HW (2-pole)	A600	2 hp	3 hp	—	3 hp	5 hp	1 hp	1/4 hp	1/2 hp	1/2 hp
9038 All Devices (2-pole)	A600	2 hp	3 hp	—	3 hp	5 hp	1 hp	1/4 hp	1/2 hp	1/2 hp

**Open Tank or Sump Applications, Float Switch, Class 9036 Type FG**

The Class 9036 Type FG30 pedestal style float switch is designed for liquid level control with electric motor operated pumps either directly or through a magnetic starter. It can also be used to activate alarms in liquid level control systems. The upward or downward movement of the lever arm of the Class 9036 Type FG30 float switch controls the On and Off positions corresponding to the water level changes required to turn the pump or alarm on and off.

Ambient temperature ratings: Min. -30 °C (-22 °F); Max. +105 °C (+220 °F)



9036FG, 9049A60, and 9049A61

**Table 22.73: Type FG Float Switch and Accessories**

Description	Class	Type
2-pole, NEMA 1, contacts close on liquid rise	9036	FG30
Plastic center hole float (1 required)	9049	A60
33.75 inch aluminum rod, 2 float stop assemblies and attaching hardware (1 required)	9049	A61

[4] Compensating spring not effective in combination with Short lever length position.  
 [5] See 1993 NEC Article 430-84



9037EG with 9049ER3 Rod Kit and 9049EF1 Float

**Closed Tank, Class 9037 Type E**

Type E switches are flange mounted and float movement is transmitted through a Quad-Ring® seal.

Build up the switch to meet your exact requirements from the **basic switch, float rod, and float** groups below. Switch may be assembled in the field to give contacts that open on liquid rise or close on liquid rise. Consult Schneider Electric for use in media with a different specific gravity than water.

Ambient temperature ratings: Min. -30 °C (-22 °F); Max. +105 °C (+220 °F)

**Table 22.74: Class 9037 Type E**

Application	Post Length L (in.)	NEMA 1	NEMA 4	NEMA 7 & 9
		Type	Type	Type
For minimum water level change	2-5/8	EG8	EW8	ER8
	4-11/16	EG10	—	—
For maximum water level change	2-5/8	EG9	EW9	ER9
	4-11/16	EG13	EW13	—

**Table 22.75: Class 9049 Floats for Type E Switches**

Description	Type
#304 stainless steel	EF1
#316 stainless steel	EF2

**Table 22.76: Class 9049 Float Rod Kits**

Type	A (in.)	F (in.)	R (in.)	H (in.)
ER1	1.00	4.75	1.75	8.25
ER2	1.00	4.75	2.5	9.00
ER3	1.00	4.75	3.50	9.50
ER5	1.00	4.75	5.25	11.75
ER7	1.00	5.00	7.25	13.75
ER12	1.00	5.75	12.25	18.75

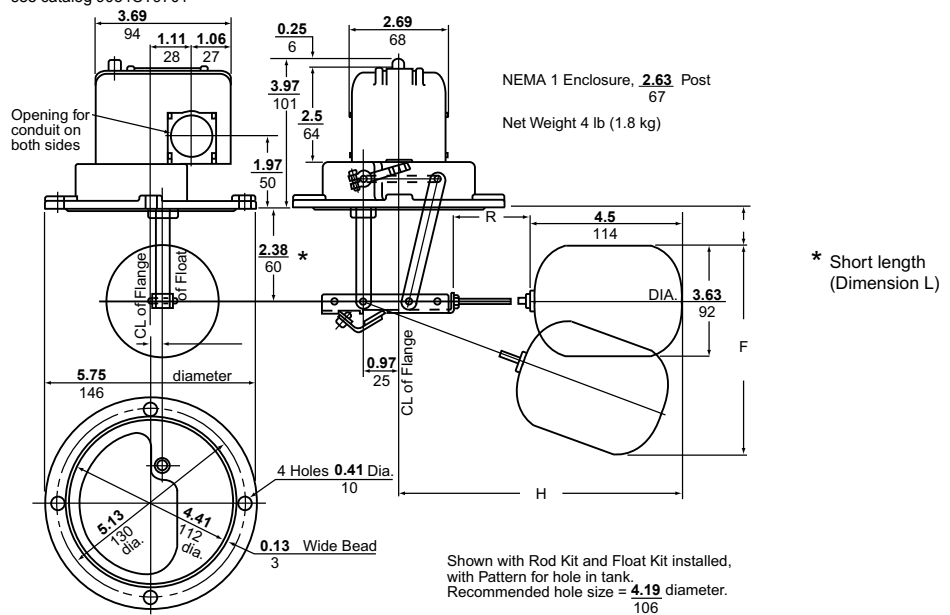


File No. E12158 and E12443 Haz Loc



File 25490 except Types ER8, ER9

**Type EG Dimensions, in. (mm)**  
For 9037ER/EW dimensions and rod positions, see catalog 9034CT9701



**Type H Switches**

Type H switches are attached to the tank by means of a 2-1/2 in. screw-in bushing. An external pointer indicates the float position within the tank when the unit is mounted. Switches come complete with stainless steel float and rod. A Buna N Quad-Ring® seal is used between the float rod and sealing connector. Normal application is at atmospheric pressure, but where higher pressures are encountered, the switch will withstand tank pressures up to 50 psi at temperatures up to +220 °F. Occasional replacement of the Quad-Ring seal may be necessary. Ambient temperature ratings: Min. -30 °C (-22 °F); Max. +105 °C (+220 °F)



Type HG35  
Float on Right, 90° Offset Rod



File No. E12158 and  
E12443 Haz Loc



File LR25490,  
File LR26817 Haz Loc

**Table 22.77: Class 9037 Type H Contacts Close On Liquid Rise**

Float Position (viewed from front of switch, facing indicator scale)	Float Rod Angle	Approximate Water Level Change (Field Adjustable)		NEMA 1	NEMA 4	NEMA 7 & 9
		Min. (in.)	Max. (in.)	Type	Type	Type
Right	45°	2	5	HG33	HW33	HR33
			5	HG35	HW35	HR35
	90° Offset	2	7	HG37	HW37	HR37
			8-1/4	HG39	HW39	—
Left	45°	2	5	HG34	HW34	HR34
			5	HG36	HW36	HR36
	90° Offset	2	7	HG38	—	HR38
			8-1/4	HG30	HW30	HR30
			11-1/2	HG32	HW32	HR32
			11-1/2	HG31	HW31	HR31

**NOTE:** For replacement floats, see Class 9049 Type H on page 22-30. Types shaded in gray are available with Form Z19; see Table 22.79 on page 22-27. See Accessories and Renewal Parts on page 22-30.

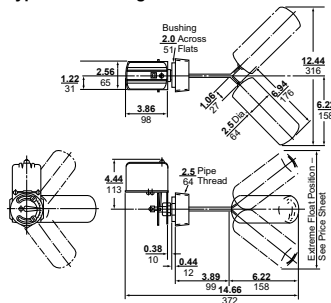
**Table 22.78: Type H Float Travel Distances**

Float Rod Angle	R in. (mm)	H (δ) in. (mm)	f1 in. (mm)		f2 in. (mm)		F in. (mm)	
			Minimum	Maximum	Minimum	Maximum	Minimum	Maximum
45°	—	6.22 (158)	2.25 (57)	4.50 (114)	2.00 (52)	4.50 (110)	4.25 (108)	9.00 (229)
	3.00 (76)	4.25 (108)	2.75 (70)	4.25 (108)	2.25 (57)	4.25 (108)	5.00 (127)	7.50 (191)
90° offset	4.25 (108)	5.50 (140)	3.50 (89)	5.50 (140)	2.75 (70)	4.00 (102)	6.25 (159)	9.50 (241)
	5.00 (127)	6.25 (159)	3.75 (95)	6.25 (159)	3.00 (76)	4.50 (110)	6.75 (171)	10.75 (273)
	7.00 (178)	8.25 (210)	4.75 (121)	8.25 (210)	3.75 (95)	5.75 (146)	8.50 (216)	14.00 (356)

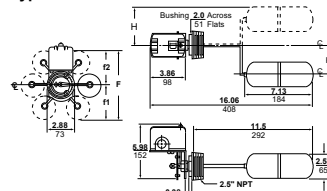
**Table 22.79: Available Modifications For Class 9037 Type H [7]**

Description	Form
Omit 2-1/2" tank connecting bushing	F3
Omit float	L
Reverse action, contacts open on rise	R
Viton® packing: 5 oz. float (diesel fuel) for Types shaded in gray in Table 22.77 above.	Z19
Viton packing (suitable for applications up to +250 °F)	Z20
#316 stainless steel float and Viton packing	Z21

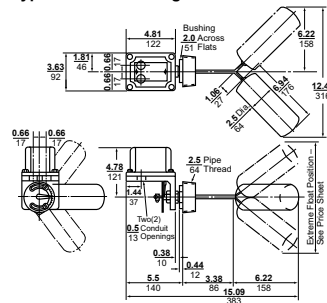
**Type HG—45° Angle Dimensions**



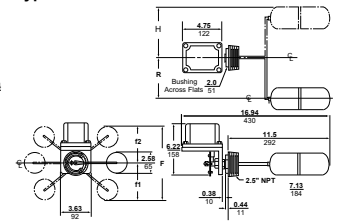
**Type HG—90° Offset Dimensions**



**Type HR/HW—45° Angle Dimensions**



**Type HR/HW—90° Offset Dimensions**



[6] Clearance from the centerline of the hub to the side of the tank.

[7] Some product configurations are not available—contact your Schneider Electric representative for details.



**Type D, Closed Tank, Top Mounted**

Designed for applications where mounting is to be made at the top of a closed tank.



Type DG Shown with Rod Kit 9049ER5 and Float Kit 9049HF3 Installed.



File No. E12158, excludes NEMA 7 & 9 products (9038AR, CR, and DR)



File LR25490, excludes NEMA 7 & 9 products (9038AR, CR, and DR)

**Table 22.84: Class 9038 Type D Contacts Close On Liquid Rise**

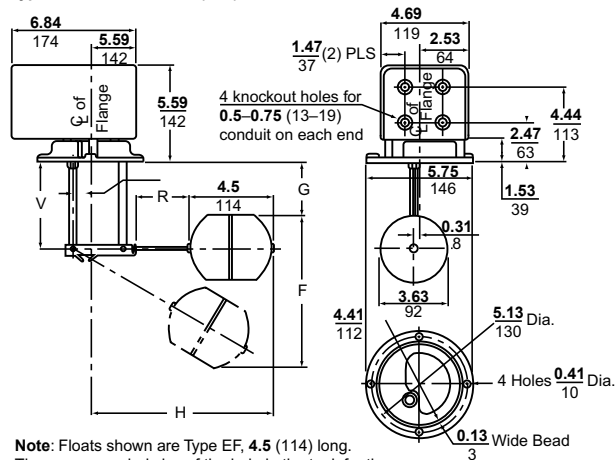
Water Level Change	Hinge Post Dimension "V" (in.)	NEMA 1	NEMA 4	NEMA 7 and 9
		Type	Type	Type
Min.	2-5/8	DG7	DW7	—
Max.		DG8	DW8	DR8
Min.	4-11/16	DG9	—	—
Max.		DG10	—	—

Size and Material Diameter x Length (in.)	Class and Type	Float Rod Kit, Class 9049				
		Type	R (in.)	H (in.)	G (in.)	F (in.)
3.625 x 4.50, #304 stainless steel	9049EF1	ER1	1.75	8.25	3.25	8.75
		ER2	2.50	9.00	3.50	10.50
3.625 x 4.50, #316 stainless steel	9049EF2	ER3	3.25	9.50	3.50	11.00
		ER5	5.25	11.75	3.75	12.75
2.50 x 7, #304 stainless steel	9049HF3	ER7	7.25	13.75	4.00	14.50
		ER12	12.25	18.75	4.75	19.00

**Table 22.85: Available Modifications for All Mechanical Alternators [13]**

Description	Form
Compensating spring (Type AG)	C
Omit 2-1/2 in. connecting bushing (Type CG, CR, CW)	F3
Omit float (Type CG, CR, CW)	L
Two-level non-alternating unit	N4
Addition of a third, high-water alarm circuit (Type AG, AR, AW, CG, DG only)	N5
High-water alarm circuit, 2-pole (Type CG only)	N25
Reverse action (contacts open on Rise)	R
Viton® packing, 5 oz. float (diesel fuel) (Type CG)	Z19
Viton packing (Type CG, CR, CW)	Z20
#316 stainless steel float and Viton packing (Type CG, CR, CW)	Z21

**Type DG Dimensions, in. (mm)**



**Note:** Floats shown are Type EF, 4.5 (114) long. The recommended size of the hole in the tank for the entry of the float and the mounting of the control is 4.19 (106). Add 2.5 (64) to "H" if using Type HF Floats, which are 7.0 (178) long.

**Table 22.86: Temperature Ratings for Class 9038**

Description	Rating
Ambient Temperature	-22 to 200 °F (-30 to 93 °C)
Media	Buna-N Seal
	Viton® Seal

[13] Some product configurations are not available—contact your Schneider Electric representative for details.

### Accessories for Float Switches

To order, specify the Class and Type number of the kit.

**Table 22.87: Class 9049 Accessories for Float Switches**

Description		Applies to Class	Type
Compensating Spring		9036GG	A13
		9038AG	A15
		9036DR, DW	A20
Float	Dia. 3.62 in. (92 mm), length 4.5 in. (114 mm)	#304 stainless steel	9037E, 9038D
		#316 stainless steel	9037E, 9038D
	Dia. 2.5 in. (64 mm), length 7 in. (178 mm)	#304 stainless steel	9037H, 9038C
		#316 stainless steel	9037H, 9038C
Float Kit	7 in. tapped-at-top #304 stainless steel float, 5 ft rod, 2 stops	Brass rod	All 9036, 9038A
		Aluminum rod	All 9036, 9038A
		Brass rod	All 9036, 9038A
		Aluminum rod	All 9036, 9038A
	7 in. center-hole #304 stainless steel float, 5 ft rod, 4 stops		All 9036, 9038A
	7 in. center-hole #316 stainless steel float, 5 ft stainless steel rod, 4 stainless steel stops		All 9036, 9038A
	7 in. tapped-at-top #316 stainless steel float, 5 ft stainless steel rod, 2 stainless steel stops		All 9036, 9038A
Replacement float—7 in. round center-hole #304 stainless steel		9049A6C, A6CA	
Lever	Form R	9036DG	A58
	Replacing obsolete 9036A with 9036G	9036GG	A54
Mounting Bracket	Replacing 9036A (S or F1) with 9036G	9036GG	A55
	Universal	All 9036, 9038AG, AR, AW	UMS1
Rod	Stainless steel	1-3/4 in. long	9037E, 9038D
		2-1/2 in. long	9037E, 9038D
		3-1/4 in. long	9037E, 9038D
		5-1/4 in. long	9037E, 9038D
		7-1/4 in. long	9037E, 9038D
		12-1/4 in. long	9037E, 9038D
Rod Kit	Additional 2-1/2 ft section with connector	Brass rod	9049A6, A6C
		Aluminum rod	9049A6A, A6CA
		Stainless steel rod	9049A6S, A6CS

### Renewal Parts for Class 9012–9038 Devices

Renewal parts are generally available for Pump Control Products with a numerical date code—for example, 172 (first quarter, 1972)—or a current date code. Parts are no longer available for devices manufactured before 1965.

To order, specify the Class and Type number of the kit.

**Table 22.88: Class 9998 Renewal Parts Kits for Class 9012–9038 Devices**

Description / Equipment To Be Serviced <sup>9thl</sup>	Parts Kit Type	
Actuator Assembly	9012GA, GD, GG, GK, GN, GR 5, 25, 55 Series C only	PC268[1]
	9012GA, GD, GG, GK, GN, GR 6, 26, 36, 46, 56 Series C only	PC269
	9012GB, GE, GH1, 21, 31, 41, 51; GL, GP, GS1	PC177[1]
	9012GB, GE, GH2, 22, 32, 42, 52; GL, GP, GS2	PC178[1]
Contact Kit (2-Pole Contacts)	9013FHG22, 29, 32, 39, 52, 59; 9013 FYG; 9036DG, DR, DW; 9037EG, ER, EW, HG, HR, HW30–39; 9038 All Types (2 Kits Required); obsolete 9013HHGY, HSGY; HSWY; 9037HEG, HSG3, 4; 9035DG10, DW10 (This kit also contains a replacement diaphragm for pressure switches. The diaphragm fits pressure switch only.)	PC242
	9013GHG, GSG, GHR, GSR, GMG; 9036GG, GR, GW; 9037GG Series C All except Forms H & R; 9016GVG, Form R	PC205
	9013GHG, GSG, GSR, GMG; 9036GG, GR, GW; 9037GG, GR, GW Series C Form H only; 9016GVG, Form H	PC206
	9013GHG, GSG, GHR, GSR, GMG; 9036GR, GW: Series C Form R only; 9016GVG	PC207
Contact Replacement Kit	9013FHG2 thru 19, 42 thru 49, all FSG (Complete contact replacement kit—includes new diaphragm)	PC241
Diaphragm Assembly	9012GA, GD, GN, GR1, 21 Series C only	PC265
	9012GA, GD, GG, GK, GN, GR 2, 3, 22, 52 Series C only	PC266[1]
	9012GA, GD, GG, GK, GN, GR4, 24, 54 Series C only	PC267[1]
	Convuluted diaphragm assembly for 9013GHG, GSG: Series C	PC208
	9013GHW, GSW; and GSW, GHR: Series C	PC211
Gasket Kit	9016 GAW-1, 21	PC233
Pilot Light, 24 Vdc	Contains all replaceable gaskets for all 9012 open, NEMA 1, 4, 4X, 13 devices	PC184
Piston Assembly	9012, 9016G Forms G7, G8, G9, G10, G21, G22	PC305
	9012GC, GF, GJ, GQ, GT1, 21, 31, 41, 51 Series C only	PC270[1]
	9012GC, GF, GJ, GQ, GT2, 22, 32, 42, 52 Series C only	PC271[1]
Seal Kit	9012GC, GF, GQ, GT4, 24, 34, 44, 54 Series C only	PC273
	Buna N, for Series A devices: 9037HG/HW/HR30–39; 9038CG/CW/CR31–36	PC337
Seal Tube Kit	Viton®, for Series A devices with Form Z19 or Z20; 9037HG/HW/HR30–39; 9038CG/CW/CR31–36	PC338
	Buna N Quad-Ring®, for Series C devices: 9037HG/HW/HR3–12; 9038CG/CW/CR1–6	PC282
Snap Switch	Viton Quad-Ring, for Series C devices: 9 037HG/HW/HR3–12; 9038CG/CW/CR1–6	PC333
	SPDT, for 9012GA, GB, GC, GD, GE, GF, GG, GH, GJ single pole; except Forms E2, E3, E4, H3: Series C only	PC313
Switch Mechanism	DPDT, for 9012GA, GB, GC, GD, GE, GF, GG, GH, GJ double pole; except Forms E2, E3, H6, H7: Series C only	PC314
	9036DR1, DW1 Series B	PC285

[1] If one of these Form designations appears on the pressure switch nameplate, complete the 9998 PC number by adding that same Form suffix from page 22-18, and add the Form price to the kit price.