

► **Code Number**

1171009

► **Description**

Vitreous china washdown retrofit urinal

► **Flush Cycle**

0.125 to 0.5 gpf/0.5 to 1.9 Lpf

Flush volume is determined by the flushometer used with fixture

► **Fixture Specifications**

- White Vitreous China
- Permanent SloanTec™ hydrophobic antimicrobial glaze inhibits the growth and buildup of germs, bacteria, mold, mildew and mineral scale on the surfaces
- 3/4" I.P.S. top spud inlet
- 2" NPT outlet flange
- All mounting hardware included
- Integral flushing rim
- Vandal resistant strainer assembly included
- 100% factory flush tested
- Washdown flushing action

► **Plumbing System Requirements**

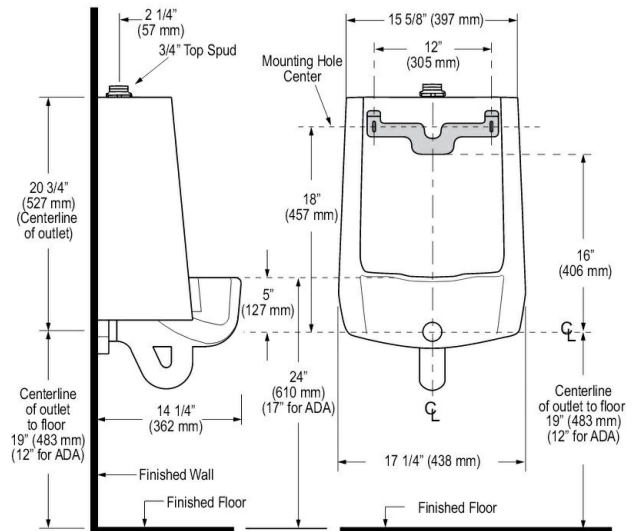
- Minimum Flow Rate: 18 GPM
- Maximum Static Pressure: 80 PSI
- Minimum Flowing Pressure: 25 PSI

► **Product Specification**

- Washdown urinal shall be made of vitreous china with a 3/4" top spud. Urinal shall have a 2" NPT outlet flange. Urinal shall include a removable strainer, inlet spud and hanger. Urinal shall be Sloan Model SU-1009-STG.

► **Notes**

- This model is fully interchangeable with Models SU-1000, SU-1002 & SU-1005 and matches all dimensional and performance parameters.
- All information contained in this document subject to change without written notice
- All vitreous china dimensions shown in these drawings are nominal and not to scale. Dimensions can vary within the tolerances established in the governing ASME A112.19/CSA B45.1 standard. It is important to consider this when planning rough-in and plumbing layouts.



► **Compliance & Certifications**



This space for Architect/Engineer Approval