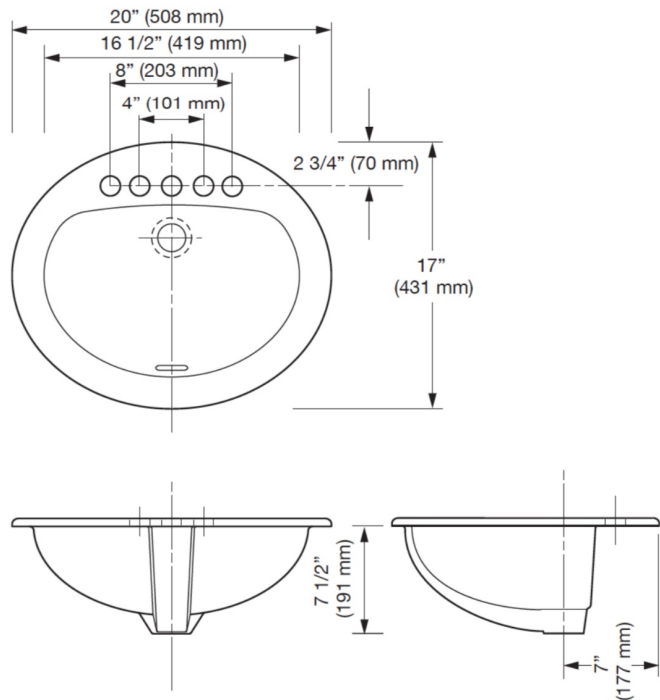
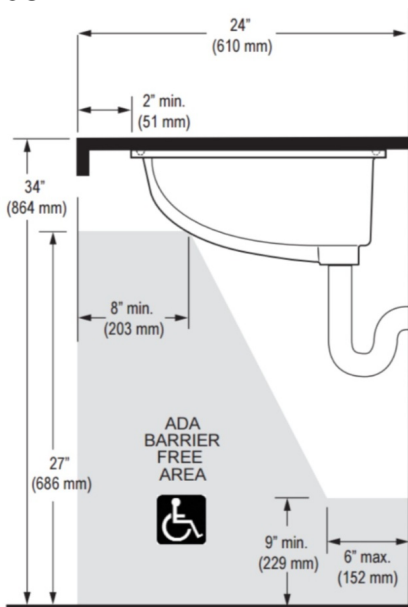


► **Code Number**  
3873072

► **Description**  
Vitreous china drop-in oval lavatory

- **Fixture Specification**
- White Vitreous china
  - Permanent SloanTec™ hydrophobic antimicrobial glaze inhibits the growth and buildup of germs, bacteria, mold, mildew and mineral scale on the surfaces
  - Self-rimming
  - 4" (102 mm) Centerset
  - Front Overflow
  - 20" x 17" (508 mm x 431 mm)

► **ROUGH-IN**



► **Product Specification**

Sink shall be made of vitreous china with SloanTec Glaze with a front overflow. Sink shall be drop-in mounted. Sink shall have a 4" centerset. Sink shall be Sloan Model SS-3002-STG.

► **Notes**

- All information contained in this document subject to change without written notice
- All vitreous china dimensions shown in these drawings are nominal and not to scale. Dimensions can vary within the tolerances established in the governing ASME A112.19/CSA B45.1 standard. It is important to consider this when planning rough-in and plumbing layouts.

► **Compliance & Certifications**



This space for Architect/Engineer Approval