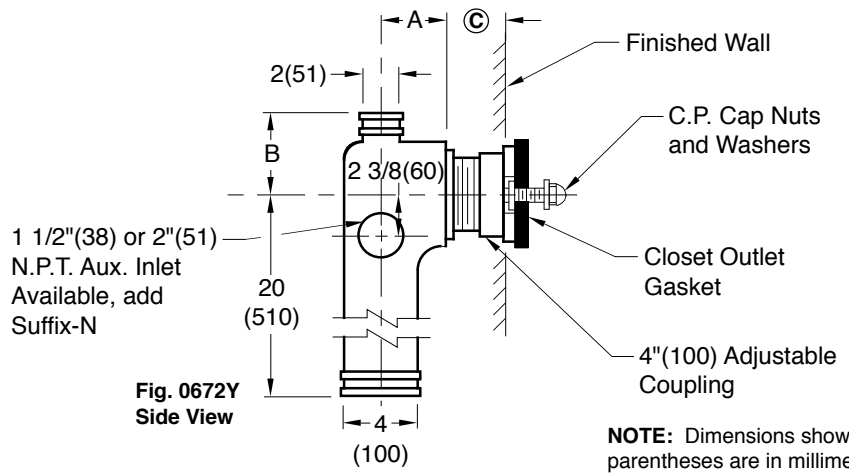
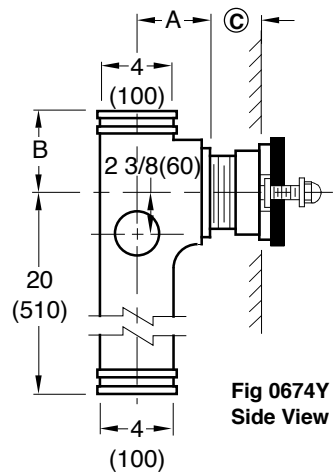
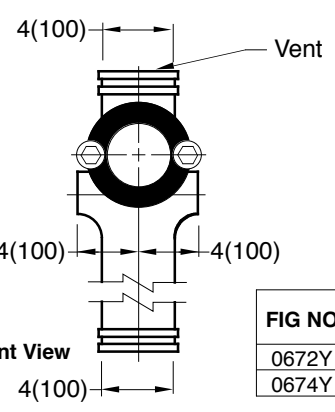


NO-HUB INLET STACK FITTINGS

FUNCTION: Recommended for use with a floor mounted back outlet water closet.



NOTE: Dimensions shown in parentheses are in millimeters.



□ Fig. 0672Y . . . NO-HUB Long Barrel With 2"(51) Vent
 □ Fig. 0674Y . . . NO-HUB Long Barrel With 4"(100) Vent

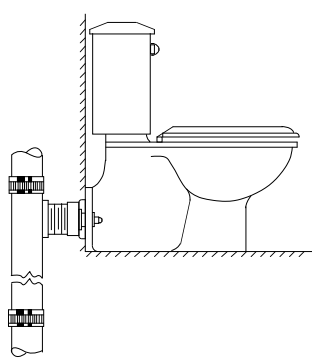
Ⓒ Dimension as regularly furnished permits a dimension of 3"(76) MIN to 4"(100) MAX. Coupling provides 1/2"(13) adjustment in either direction. Always specify Ⓒ dimension required. Minimum Ⓒ dimension of 1"(25) available using special male end coupling (see type 2M below).

NOTE: When required a 2"(51) NO-HUB Aux. inlet adapter is available specify suffix-NY

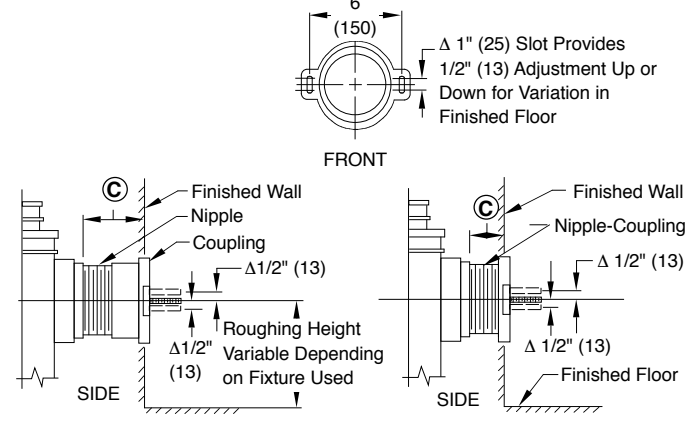
FIG NO	A	B
0672Y	4(100)	7(180)
0674Y	4(100)	5(125)

The water closet gasket regularly furnished is designed to fit water closet outlet dimensions and configurations shown in ANSI Standard A112.19.2. If gasket is not found to be compatible to fixture due to nonconformance of said fixture to ANSI A112.19.2, then fixture manufacturer shall be consulted for a suitable gasket recommendation. Jay R. Smith assumes no liability for connections to fixtures which do not conform to these standards.

TYPICAL APPLICATION



OUTLET CONNECTIONS



NIPPLE LENGTHS AVAILABLE

NIPPLE LENGTH	MIN	Ⓒ	MAX
2 1/2 (64)	2 3/4 (70)	3 3/4 (95)	
3 1/4 (83)	3 (76)	4 1/2 (115)	
4 1/2 (115)	4 1/4 (110)	5 3/4 (145)	
5 1/4 (135)	5 (125)	6 1/2 (165)	
6 1/4 (160)	6 (150)	7 1/2 (190)	
7 (180)	6 3/4 (170)	8 1/4 (210)	
8 1/4 (210)	8 (205)	9 1/2 (240)	
10 (255)	9 3/4 (250)	11 1/4 (285)	
12 (305)	11 3/4 (300)	13 1/4 (335)	
15 (380)	14 3/4 (375)	16 1/4 (415)	
18 (455)	17 3/4 (450)	19 1/4 (490)	

* Regularly Furnished

DRAWING NUMBER: S0672Y
 SIZE: A
 SCALE: NONE
 DATE: 8-21-72
 APPROVED BY: RP
 CHECKED BY: RP
 DRAWN BY: JH
 FIGURE NUMBER: 0672Y, 0674Y

REV.	DATE	DESCRIPTION	BY	CKD. BY
G	5-13-13	Revised Text	TBW	CL
T	3-6-97	Added Millimeters	EMB	BS
E	6-22-94	Revised	EMB	BS

WEIGHT POUNDS	VOLUME CUBIC FEET	FIGURE NUMBER
		0672Y, 0674Y