

DRAWING NUMBER
s2120

SIZE
A

SCALE:
NONE

DATE:
5-17-85

APPROVED BY:
TD

CHECKED BY:
TD

DRAWN BY:
PJ

2120, 2125

FIGURE NUMBER

WE CAN ASSUME NO RESPONSIBILITY FOR USE OF SUPERSEDED OR VOID DATA

FLOOR DRAINS

WITH 8 1/2" (215) ROUND TOPS

HEAVY DUTY DRAINS WITH TRACTOR GRATE

FUNCTION: Used in heavy traffic areas where waste water contains no sediment or debris and floor construction requires shallow drain body. Body flange and flashing collar serve as anchor in on grade locations and as flashing clamp when installed in waterproof floors.

Free Area
13 SQ IN
(84) SQ CM

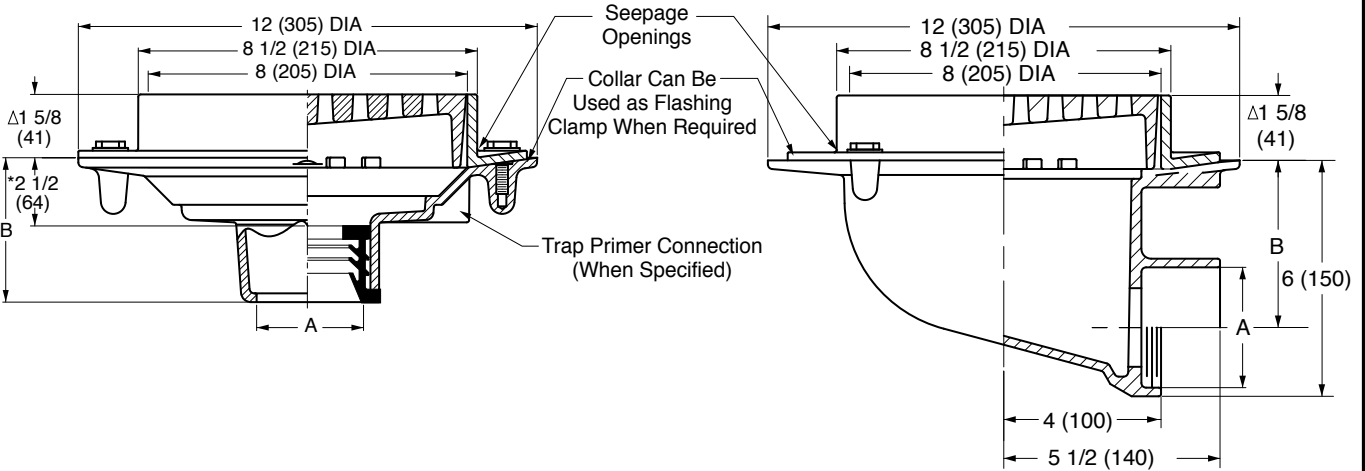


Fig. 2120C.....CAULK OUTLET
 Fig. 2120Y.....NO-HUB OUTLET

Fig. 2125T.....CAULK OUTLET
 Fig. 2125T.....THREADED OUTLET

A SIZE	02 (50)	03 (75)	04 (100)	06 (150)
B	3 3/4 (95) for Caulk, NO-HUB, and Speedi-Set, 2 (51) for Threaded		3 3/4 (95) NO-HUB Only	

A SIZE	02(50)	03(75)	04(100)
B	4 1/4(110)	3 3/4(95)	3 1/4(83)

REGULARLY FURNISHED:
 Duco Cast Iron Body and Flashing Collar with Cast Iron Tractor Grate.

VARIATIONS:

- Closure Plug -XP (Fig. 2110 only)
- Dome Grate -D
- Flat Bottom Strainer -FBS (Fig. 2120 only)
- L Speedi-Set Service Weight (Fig. 2120 only)
- LXH Speedi-Set Extra Heavy (Fig. 2120 only)
- NO-HUB Adaptor (Specify Fig. 2646Y) (Fig. 2120 only)
- Sediment Bucket -B
- Square Top -S
- Trap Primer Connection -P050 1/2" (13) & -P075 3/4" (19)
- Vandal Proof Grate -U
- T Threaded Outlet
- Quad Close Trap Seal (Specify Fig. 2692) (Fig. 2120 Only)

OPTIONAL MATERIALS:

- Ductile Iron Grate -M
- Galvanized Cast Iron -G
- Nickel Bronze Top -NB
- Polished Bronze Top -PB

ΔAdd 3/16" (5) when bronze top is specified.
 *This dimension to internal stop of Speedi-Set gasket.

NOTE: Dimensions shown in parentheses are in millimeters.
 *Not available on Fig. 2120T threaded outlet drain.

REV.	DATE	DESCRIPTION	BY	CKD. BY	WEIGHT POUNDS	VOLUME CUBIC FEET	FIGURE NUMBER
J	6-10-15	Revised Variations	TBW	CL			2120, 2125
H	7/29/10	Revised Size Table	RN	CL			
G	11/17/05	Revised 2120 A-Size Table	JJ	CL			
F	1-15-99	Submittal redraw Illustrator	CMD	CL			