

F

SMITH® JAY R. SMITH MFG. CO.®
 MEMBER OF MORRIS GROUP INTERNATIONAL
 POST OFFICE BOX 3237
 MONTGOMERY, ALABAMA 36109-0237 (USA)
 TEL: 334-277-8520 FAX: 334-272-7396 www.jrsmith.com



LOCATION

DRAWING NUMBER
5618

SIZE
A

SCALE:
NONE

DATE:
08/06/09

APPROVED BY:
CL

CHECKED BY:
CL

DRAWN BY:
JU

5618

FIGURE NUMBER

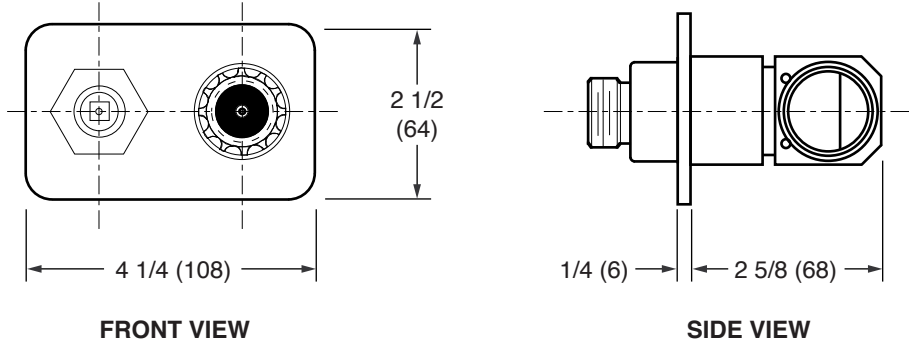
WE CAN ASSUME NO RESPONSIBILITY FOR USE OF SUPERSEDED OR VOID DATA

DIMENSIONS ARE SUBJECT TO MANUFACTURERS TOLERANCE AND CHANGE WITHOUT NOTICE

NARROW WALL WARM CLIMATE HYDRANT

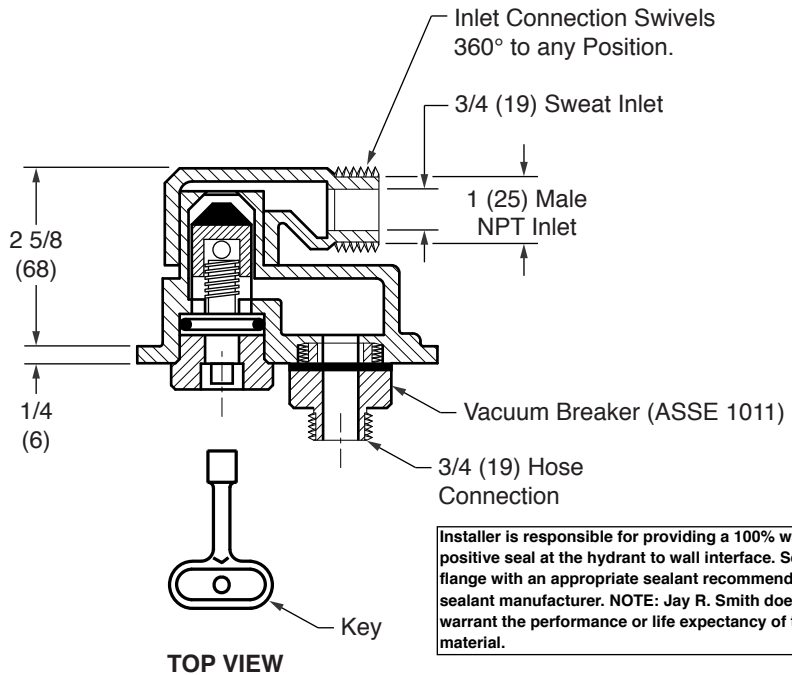
EXPOSED HOSE CONNECTION WITH INTEGRAL VACUUM BREAKER

FUNCTION: For installation in interior or exterior walls of building where an exposed hose connection is acceptable and there is no danger of freezing. Hydrant features an integral type vacuum breaker. Removable key prevents unauthorized use.



NOTES:

1. Recommended wall opening:
2 (51) x 3 3/4 (95).
2. All Jay R. Smith Hydrants are manufactured with "NO LEAD" brazing rings and USDA approved lubricants.
3. The AB1953, California Lead Law, and NSF/ANSI Standard 61-2008 - Drinking Water System Components are not applicable to Jay R. Smith hydrants as they do not convey/dispense water for human consumption through drinking or cooking.
4. Dimensions shown in parentheses are in millimeters.
5. **FOR IRRIGATION PURPOSES ONLY.**
6. Lead Free Construcion/Materials.



A small amount of water seepage may occur from the vacuum breaker and operating screw upon initial opening and closing of the hydrant. This is normal operation.

Installer is responsible for providing a 100% watertight positive seal at the hydrant to wall interface. Seal all the flange with an appropriate sealant recommended by a sealant manufacturer. NOTE: Jay R. Smith does not warrant the performance or life expectancy of the sealant material.

REGULARLY FURNISHED:

All Bronze Warm Climate Hydrant with Chrome Plated Face, Hose Connection and Integral ASSE 1011 Vacuum Breaker, 360° Swivel Inlet Connection and "T" Handle Key.



NSF/ANSI 372

Certified by Truesdail Laboratories. Meets all Federal and state Safe Drinking Water Acts and requirements.

F	4-5-18	Added Note	TBW	BW	WEIGHT POUNDS	VOLUME CUBIC FEET	FIGURE NUMBER 5618
E	2-6-17	Added Truesdail Note	TBW	SJM			
D	11-19-13	Added Lead Free Note	TBW	SJM			
C	4-23-13	Added Note 6	TBW	SJM			
REV.	DATE	DESCRIPTION	BY	CKD. BY			

B

SMITH® JAY R. SMITH MFG. CO.®
 MEMBER OF MORRIS GROUP INTERNATIONAL
 POST OFFICE BOX 3237
 MONTGOMERY, ALABAMA 36109-0237 (USA)
 TEL: 334-277-8520 FAX: 334-272-7396 www.jrsmith.com



LOCATION

DRAWING NUMBER
S5618BS

SIZE
A

SCALE:
NONE

DATE:
08/26/09

APPROVED BY:
CL

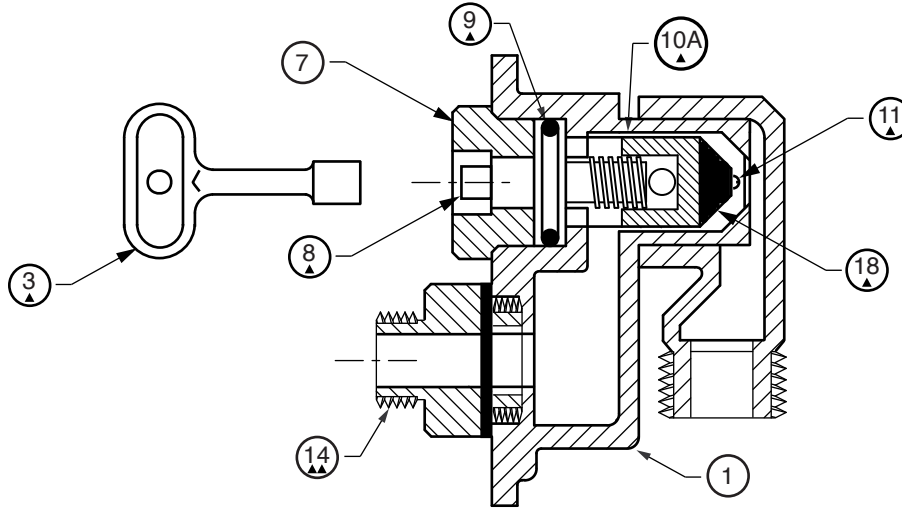
CHECKED BY:
CL

DRAWN BY:
JJ

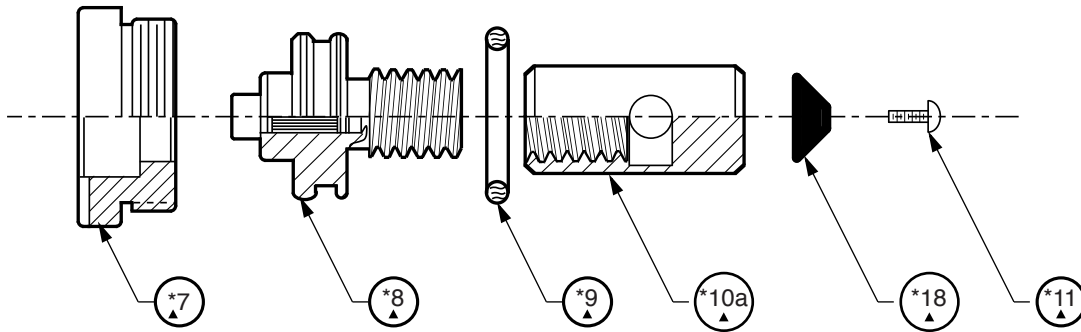
5618BS

WE CAN ASSUME NO RESPONSIBILITY FOR USE OF SUPERSEDED OR VOID DATA
DIMENSIONS ARE SUBJECT TO MANUFACTURERS TOLERANCE AND CHANGE WITHOUT NOTICE

PARTS LIST WITH MAINTENANCE INSTRUCTIONS



▲▲ THESE REPLACEMENT PARTS AVAILABLE IN HPRK-18VB



▲ THESE REPLACEMENT PARTS AVAILABLE IN HPRK-18

MAINTENANCE INSTRUCTIONS:

1. Shut off water supply.
2. Remove face nut.
3. Pull stem out for complete access to all working parts.
4. Check all working parts for replacement.
5. Replace complete stem assembly and face nut.

* These Parts are accessible from face of hydrant by removing face nut.

HYDRANT PARTS LIST			
No.	Description	No.	Description
1	Head/Casing Assembly	10a	Coupling
3	Key	11	Washer Screw
7	Face Nut	14	Vacuum Breaker
8	Operating Screw	18	Plunger Washer
9	Operating Screw "O" Ring		

Installer is responsible for providing a 100% watertight positive seal at the hydrant to wall interface. Seal all the flange with an appropriate sealant recommended by a sealant manufacturer. NOTE: Jay R. Smith does not warrant the performance or life expectancy of the sealant material.

REV.	DATE	DESCRIPTION	BY	CKD. BY
B	4-5-18	Added Note	TBW	BW
A	12-3-12	Rev. Replacement Parts	TBW	CL

WEIGHT POUNDS	VOLUME CUBIC FEET	FIGURE NUMBER
		5618BS