

Sentinel Mark II® Pressure Balance Diverter Valve

FEATURES:

- Brass body construction
- Four port valve with (2) 1/2" female copper sweat inlets, (1) 1/2" female copper sweat shower outlet, and (1) 1/2" -14 NPT female tub outlet
- Pressure balancing and ceramic temperature regulating cartridge with built-in check valves
- Ceramic diverter cartridge allows for transition between two independent settings
- Adjustable temperature limit stop to control maximum temperature setting
- Integral stops allow water shut off for servicing valve
- Supports back-to-back installation
- Includes rough-in template and 1/2" pipe plug

TRIM OPTIONS:

- CPT-1400-P
- CPT-1401-P
- CPT-6400-P
- CPT-7400-P
- CPT-8400-P
- CPT-8401-P
- CPT-10400-P
- CPT-11400-P
- CPT-24400

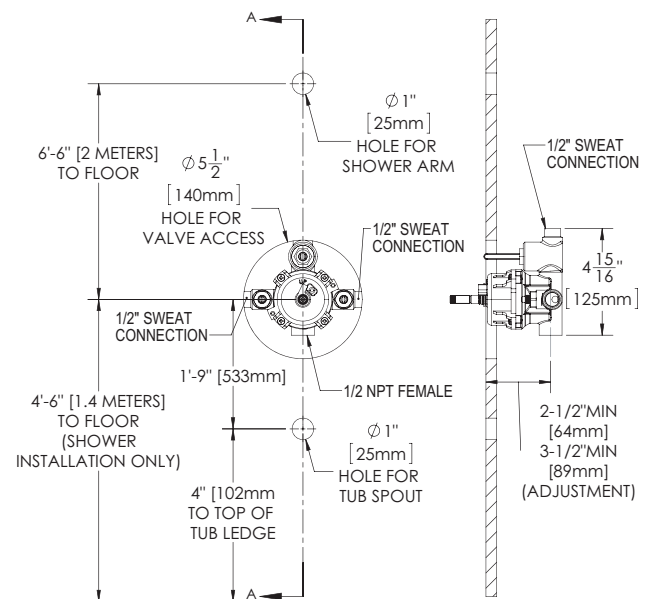
STANDARDS:

- ASME A112.18.1/CSA B125.1 certified
- ASSE 1016 certified

WARRANTY:

Visit www.speakman.com for full product warranty information

- 5 Year Limited Warranty (consumer)
- 5 Year Limited Warranty (commercial)



1. All dimensions are in inches (millimeters) unless otherwise specified and are subject to change without notice. 2. For ADA mounting locations, consult ADAAG, ANSI A117.1, and state regulations.

Architect/Engineer Approval Space:

SPEAKMAN
400 ANCHOR MILL ROAD
NEW CASTLE, DE 19720

P: 800-537-2107
F: 800-977-2747
W: WWW.SPEAKMAN.COM
R: 01-APRIL 2018