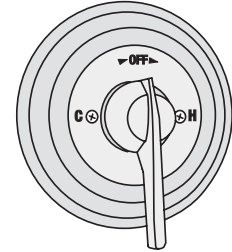
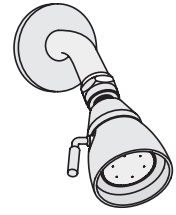


Location:


SYMMONS® Temptrol®

Tub-Shower System C-96-2

Specification Submittal



Feature Highlights

- Symmons commercial series tub-shower system
- Symmons Temptrol® pressure balancing mixing valve with adjustable stop screw to limit handle turn.
- Showerhead #4-137 single mode, cast brass with adjustable flood / mist spray
- Showerhead mounting arm and flange
- Flow rate 2.5 gpm (9.5 L/min)
Optional lower flow rate restrictor available 
- Diverter tub spout, #054
- Polished chrome finish (standard)

Model Numbers

- C-96-2..... Tub-Shower System with Symmons Temptrol® pressure balancing mixing valve
- C-96-2-TRM.. Tub-Shower Trim only, valve must be ordered separately


Handle Options / Modifications

Append appropriate -suffix to model number.

- LAM Metal finish insert handle 

Options / Modifications

Append appropriate -suffix to model number.

- IPS 1/2 inch female IPS connections on Symmons Temptrol® mixing valve
- X Symmons Temptrol® pressure balancing mixing valve includes integral service stops to allow water shut-off for service,
- VP Vandal resistant escutcheon screws
-  -2.0 2.0 (7.6 L/min) flow rate restrictor
- SS Tub spout is slip-on type in place of standard tub spout
- REV Reverse coring, hot on right, cold on left (used in back to back installations)
- X-CHKS Integral check stops

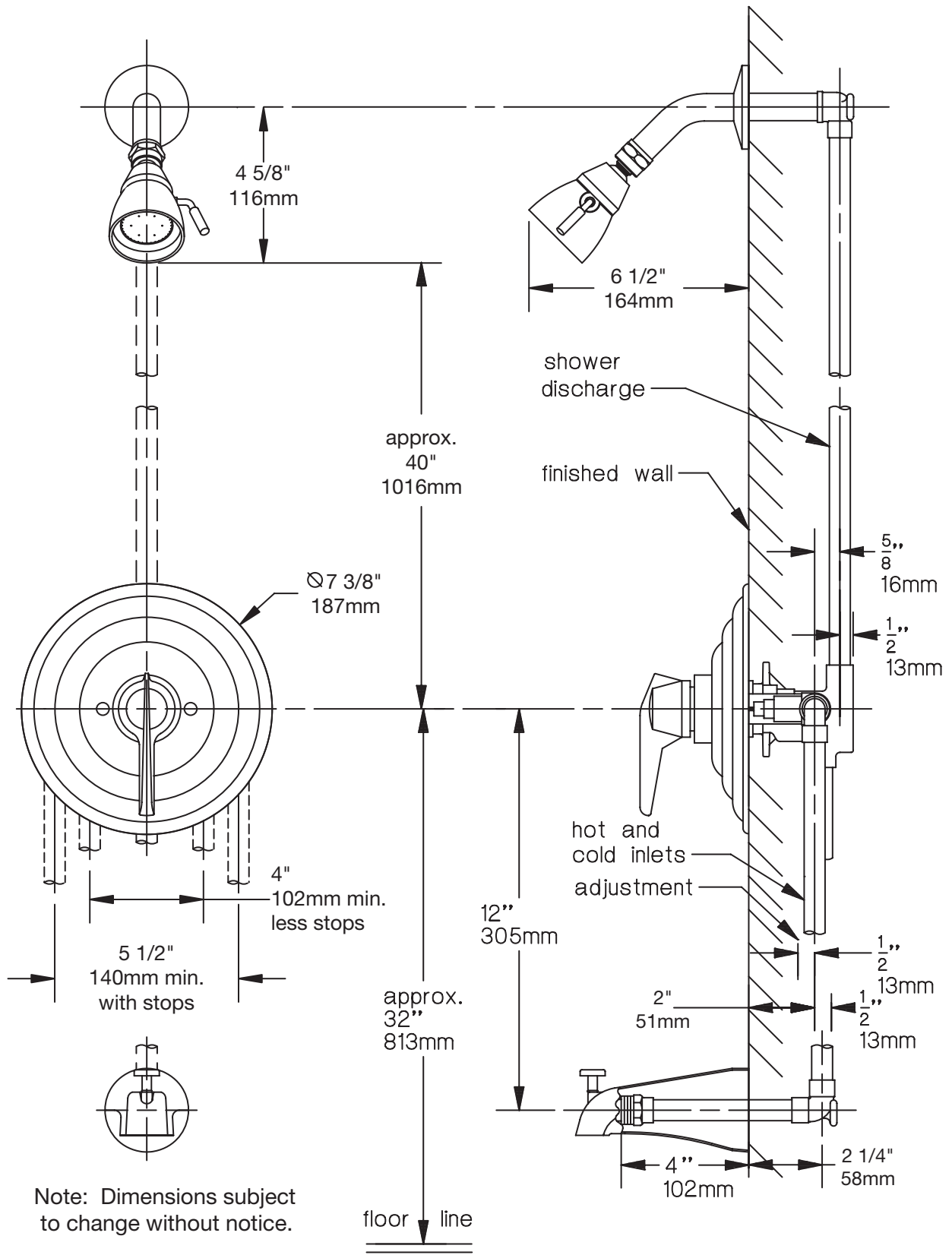
Warranty

- Limited Lifetime - to the original end purchaser in consumer installations.
- 5 years - for commercial installations

Standards / Certifications

ASME A112.18.1/CSA B125.1

Dimensions Commercial Temptrol Tub-Shower System, C-96-2



Note: Dimensions subject to change without notice.

Symmons Industries, Inc. ■ 31 Brooks Drive ■ Braintree, MA 02184
 Phone: (800) 796-6667 ■ Fax: (800) 961-9621
 Website: symmons.com ■ Email: gethelp@symmons.com

Copyright © 2016 Symmons Industries, Inc. Printed in U.S.A. ■ ZV-1613 REV A ■ 101716

SYMMONS[®]
 the smart choice™