

## Viega PureFlow® Press Zero Lead\* Commercial Ball Valves

### Description

The Viega PureFlow Press commercial ball valve available in sizes from 1 - 2" is equipped with a Zero Lead\* bronze body, stainless steel ball and EPDM seals.

### Features


- Stainless Steel Ball
- PTFE Seat
- Brass Stem
- EPDM Stem Seals

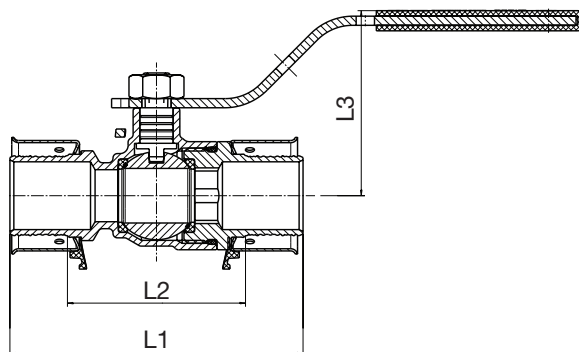
### Ratings

- Temperature Range: 0°F - 180°F
- Max. Operating Pressure: 160 psi

### Approvals

 - cSAUS: CSA B137.5, CSA B125.3

-  - UPC®
- NSFus-pw-372
  - NSF / ANSI 359
  - ASTM F877



Component	Material
Body	Zero Lead* bronze
Ball	Stainless Steel
O-Ring	EPDM
Seat	PTFE
Stem	Brass
Stem Seals	EPDM
Handle	Steel Zinc-plated
Handle Cover	Plastic
Locator Ring	Plastic Polystyrene
Press Sleeve	Stainless Steel

### Viega PureFlow Press Ball Valve Zero Lead Brass P x P - Model 2870ZL

Part No	Size	L1 (in)	L2 (in)	L3 (in)
	d			
98200	1"	3.15	1.89	1.99
98201	1¼"	3.60	1.87	2.10
98202	1½"	3.88	2.15	2.47
98203	2"	4.57	2.44	2.69

\*Zero Lead identifies Viega® products meeting the lead free requirements of NSF 61-G through testing under NSF/ANSI 372 (0.25% or less maximum weighted average lead content).

**Viega products are designed to be installed by licensed and trained plumbing and mechanical professionals who are familiar with Viega products and their installation. Installation by non-professionals may void Viega LLC's warranty.**

This document subject to updates. For the most current Viega technical literature please visit [www.viega.us](http://www.viega.us).  
Click Services -> Click Electronic Literature Downloads -> Select Product Line -> Select Desired Document

**Viega LLC, 12303 Airport Way, Ste. 395 • Broomfield, CO 80021 • Ph: 800-976-9819 • Fax: 800-976-9817**