

8100, 8200, 8300 Hot Tap Operating Instructions



WHEELER-REX • ASHTABULA, OHIO USA
TEL: 800-321-7950 OR 440-998-2788 • FAX: 440-992-2925
WHEELER@WHEELERREX.COM • WWW.WHEELERREX.COM

INSTRUCTIONS FOR 3/4", 1", 1-1/4" DIAMETER TAPS



FIGURE 1

- A HOT TAP SPINDLE
- B HOT TAP SLEEVE
- C HOT TAP FEED SCREW
- D ADAPTER
- E ADAPTER FLUSH VALVE
- F RATCHET (NOT SHOWN)
- G SOCKET (NOT SHOWN)



FIGURE 2

1. Attach service saddle to the pipe according to the manufacturer's specs
2. Attach corporation stop to saddle. Ensure that it is tight and in the open position.



- FIGURE 3**
1. SELECT THE PROPER VALVE ADAPTER, (NPT, CTS AND BSPT CONNECTIONS AVAILABLE).
 2. SELECT THE PROPER SHELL CUTTER FOR THE PIPE MATERIAL TO BE CUT.
 - A. SHELL CUTTERS FOR STEEL, COPPER, DUCTILE IRON AND PLASTIC
 3. SELECT THE PROPER SHAFT OR COMBINATION OF SHAFTS TO ALLOW THE PROPER STROKE LENGTH TO CUT THROUGH THE PIPE AND TO BE RETRACTED ABOVE THE CORPORATION STOP AFTER THE CUT.

NOTE: NOT ALL ADAPTERS AND SHELL CUTTERS ARE SHOWN.



- FIGURE 4**
1. ATTACH THE PROPER VALVE ADAPTER TO THE CORPORATION STOP.
 2. ENSURE THAT THE ADAPTER'S FLUSH VALVE IS IN THE OPEN POSITION. THIS ALLOWS THE CHIPS TO BE FLUSHED OUT OF THE SYSTEM.



1. SLIDE HOT TAP SLEEVE ("B" FIG) DOWN TO ENGAGE THE THREADS OF THE HOT TAP FEED SCREW.
2. TURN HOT TAP SLEEVE CLOCKWISE UNTIL SHELL CUTTER TOUCHES PIPE.
3. USING THE SOCKET AND RATCHET, ROTATE THE HOT TAP SPINDLE ("A" FIG1) CLOCKWISE WHILE CONTINUALLY APPLYING PRESSURE. (BY TURNING THE HOT TAP SLEEVE ("B" FIG1)).
4. DRILL THROUGH THE PIPE UNTIL NO RESISTANCE IS FELT WHEN ADVANCING THE HOT TAP SLEEVE.



1. AFTER HOLE IS DRILLED THROUGH THE PIPE, RETRACT HOT TAP SLEEVE BY TURNING COUNTER-CLOCKWISE.
2. DISENGAGE THREADS AND PULL UP ON HOT TAP SLEEVE TO ENSURE PROPER CLEARANCE BETWEEN HOT TAP SHELL CUTTER AND CORPORATION STOP.

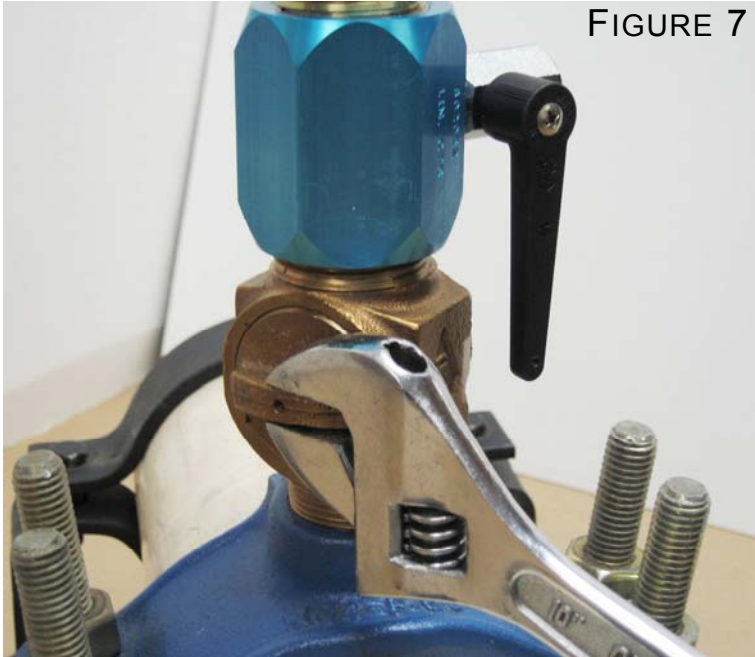
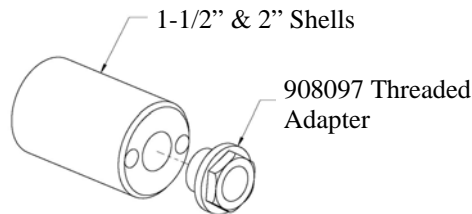


FIGURE 7

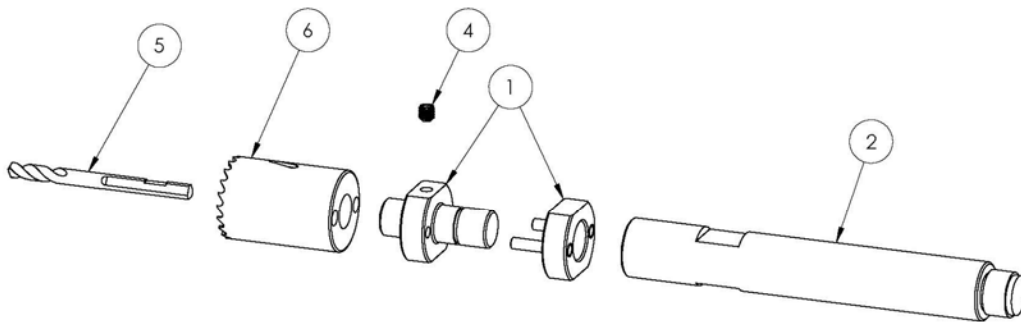
1. TURN ADAPTER VALVE TO THE “OFF” POSITION.
2. WITH A WRENCH, TURN THE CORPORATION STOP VALVE TO THE “OFF” POSITION.
3. REMOVE ADAPTER FROM CORPORATION STOP.

INSTRUCTIONS FOR 1-1/2" AND 2" DIAMETER TAPS

1. INSERT PILOT DRILL INTO ARBOR. BE SURE TO ALIGN FLAT FOR SET SCREW AND TIGHTEN WITH ALLEN KEY. IF YOU HAVE THIS STYLE 1-1/2" AND 2" ARBOR, REMOVE THREADED INSERT AND WASHER FROM SHELL CUTTER.
2. TURN SHELL CUTTER CLOCKWISE ONTO THREADED SHAFT OF ARBOR. BE SURE TO ALIGN HOLES IN ARBOR WITH HOLES IN SHELL CUTTER
3. SLIDE COLLER PINS THROUGH ARBOR AND INTO SHELL CUTTER.
4. TURN SHAFT CLOCKWISE ONTO OPPOSITE THREADED END OF ARBOR. USE WRENCHES ON "FLATS" OF BOTH ARBOR AND SHAFT TO TIGHTEN SHAFT AGAINST COLLAR.

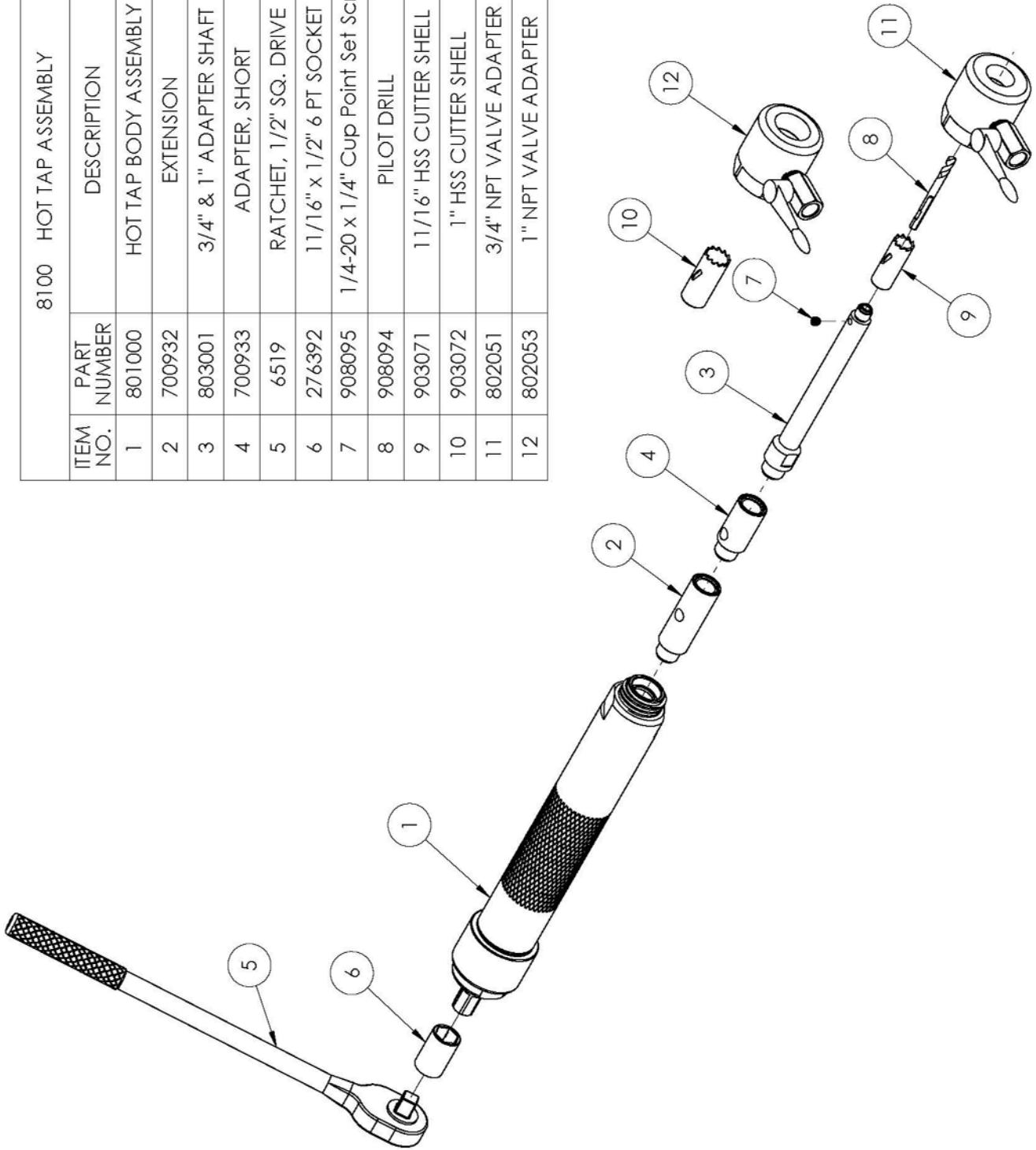


ITEM NO.	PART NUMBER	DESCRIPTION	QTY.
1	701420	1 1/2"-2" HOT TAP ARBOR ASSY.	1
2	701425	1 1/2" & 2" SHAFT	1
3	277226	3/16" x 1" Groove Dowel Pin	2
4	908095	1/4-20 x 1/4" Cup Point Set Screw	1
5	908094	PILOT DRILL	1
6	903074	1 3/8" HSS CUTTER SHELL	1

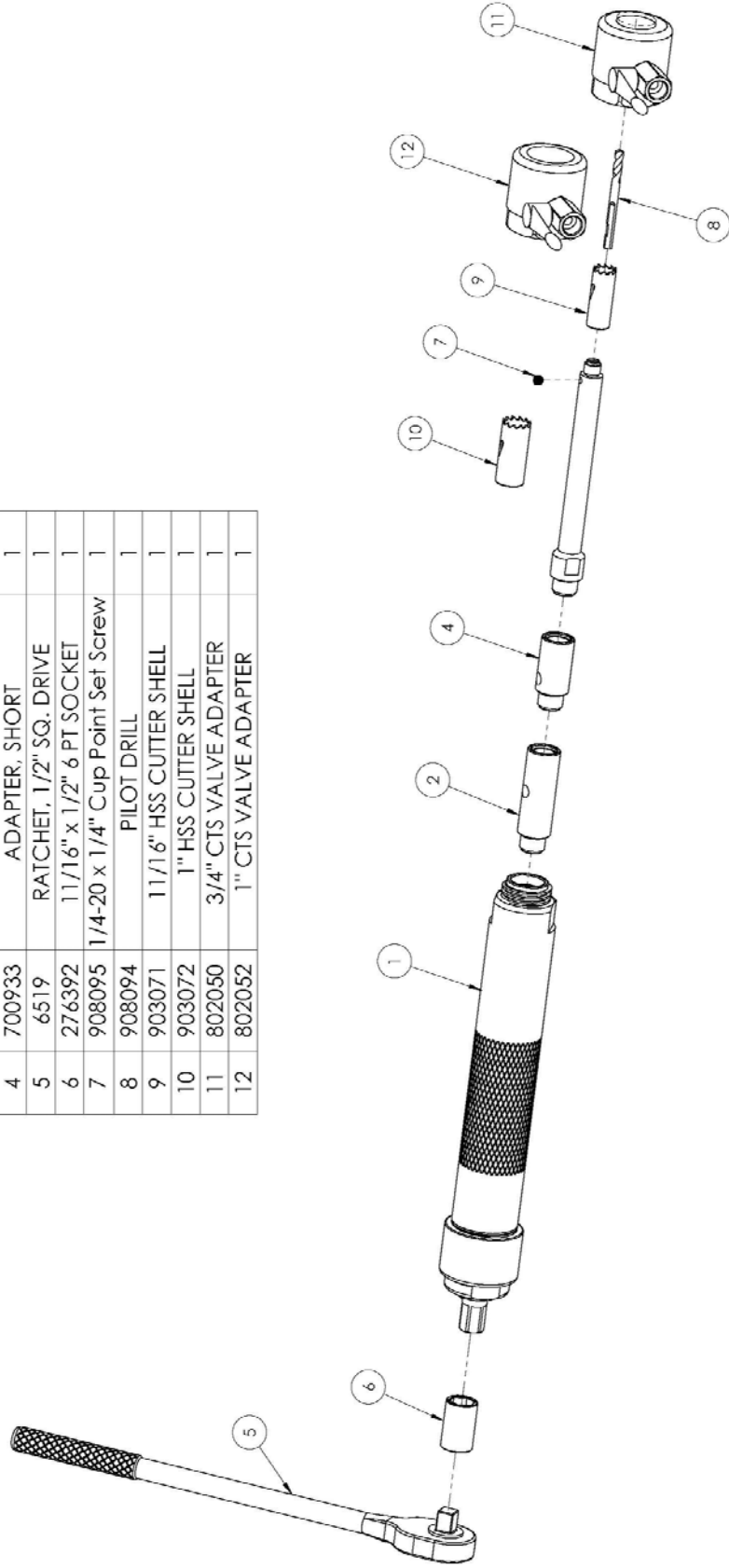


8100 HOT TAP ASSEMBLY

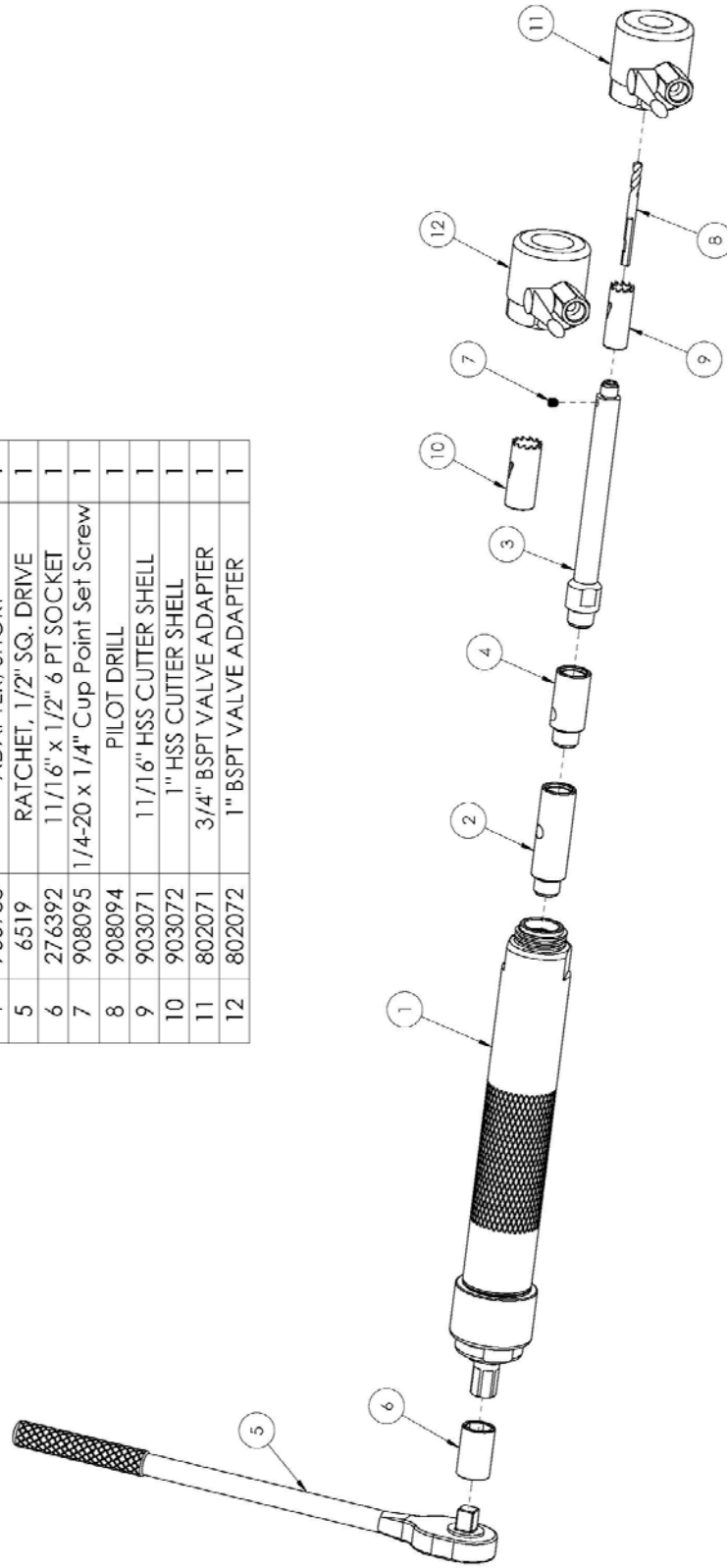
ITEM NO.	PART NUMBER	DESCRIPTION	QTY.
1	801000	HOT TAP BODY ASSEMBLY	1
2	700932	EXTENSION	1
3	803001	3/4" & 1" ADAPTER SHAFT	1
4	700933	ADAPTER, SHORT	1
5	6519	RATCHET, 1/2" SQ. DRIVE	1
6	276392	11/16" x 1/2" 6 PT SOCKET	1
7	908095	1/4-20 x 1/4" Cup Point Set Screw	1
8	908094	PILOT DRILL	1
9	903071	11/16" HSS CUTTER SHELL	1
10	903072	1" HSS CUTTER SHELL	1
11	802051	3/4" NPT VALVE ADAPTER	1
12	802053	1" NPT VALVE ADAPTER	1



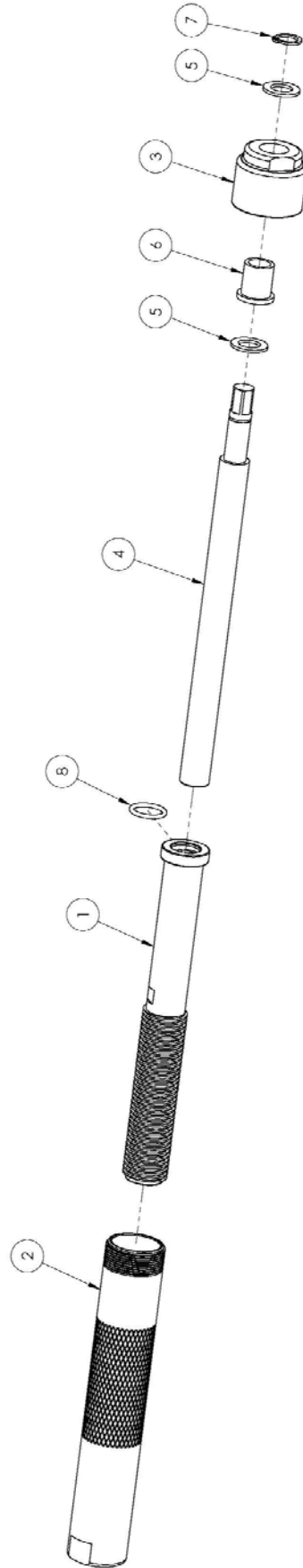
8200 HOT TAP ASSEMBLY FOR CTS			
ITEM NO.	PART NUMBER	DESCRIPTION	QTY.
1	801000	HOT TAP BODY ASSEMBLY	1
2	700932	EXTENSION	1
3	803001	3/4" & 1" ADAPTER SHAFT	1
4	700933	ADAPTER, SHORT	1
5	6519	RATCHET, 1/2" SQ. DRIVE	1
6	276392	11/16" x 1/2" 6 PT SOCKET	1
7	908095	1/4-20 x 1/4" Cup Point Set Screw	1
8	908094	PILOT DRILL	1
9	903071	1 1/16" HSS CUTTER SHELL	1
10	903072	1" HSS CUTTER SHELL	1
11	802050	3/4" CTS VALVE ADAPTER	1
12	802052	1" CTS VALVE ADAPTER	1



8300 HOT TAP ASSEMBLY FOR BSPT			
ITEM NO.	PART NUMBER	DESCRIPTION	QTY.
1	801000	HOT TAP BODY ASSEMBLY	1
2	700932	EXTENSION	1
3	803001	3/4" & 1" ADAPTER SHAFT	1
4	700933	ADAPTER, SHORT	1
5	6519	RATCHET, 1/2" SQ. DRIVE	1
6	276392	11/16" x 1/2" 6 PT SOCKET	1
7	908095	1/4-20 x 1/4" Cup Point Set Screw	1
8	908094	PILOT DRILL	1
9	903071	1 1/16" HSS CUTTER SHELL	1
10	903072	1" HSS CUTTER SHELL	1
11	802071	3/4" BSPT VALVE ADAPTER	1
12	802072	1" BSPT VALVE ADAPTER	1

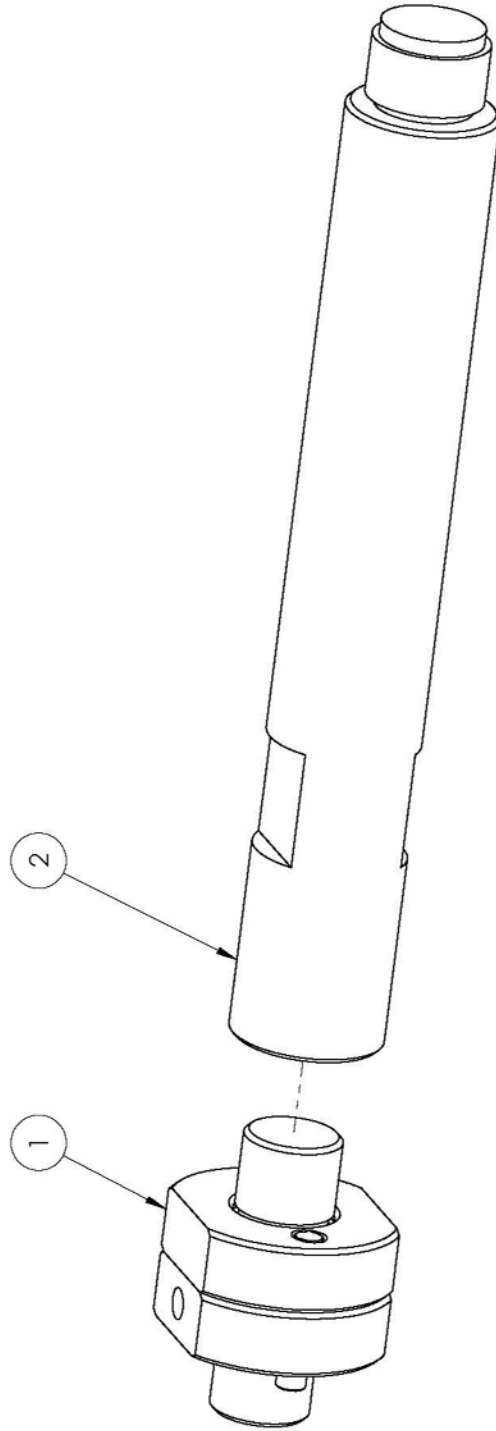


801000 HOT TAP BODY ASSEMBLY			
ITEM NO.	PART NUMBER	DESCRIPTION	QTY.
1	801012	HOT TAP FEED SCREW	1
2	801011	HOT TAP SLEEVE	1
3	801013	HOT TAP CAP END	1
4	801010	HOT TAP SPINDLE	1
5	276570	THRUST WASHER	2
6	276394	FLANGE BEARING	1
7	275043	Retaining Ring	1
8	276393	O-RING	1



701440 LARGE HOT TAP ARBOR ASSEMBLY

ITEM NO.	PART NUMBER	DESCRIPTION	QTY.
1	701420	1 1/2" - 2" HOT TAP ARBOR ASSY.	1
2	701425	1 1/2" & 2" SHAFT	1



OUTLET SIDE
CAN HAVE A VARIETY OF END CONNECTIONS:

- MUELLER 110 COMPRESSION CONNECTION
- MUELLER INSTA-TITE CONNECTION
- COPPER FLARE
- INSIDE IRON PIPE
- OUTSIDE IRON PIPE
- INCREASING IRON PIPE
- MUELLER COUPLING THREADS

NPT
CONNECTION



COMPRESSION
CONNECTION



COPPER FLARE
CONNECTION



INLET SIDE

TYPICALLY AN AWWA TAPER THREAD
(ie MUELLER 'CC' THREAD) ATTACHES EI-
THER TO A SERVICE SADDLE OR TAPPED
DIRECTLY INTO A WATER MAIN LINE
(OTHER INLET CONNECTIONS AVAILABLE)

SERVICE SADDLE



WATER FLOW

- **Corporation Stops & Adapters**

- Mueller $\frac{3}{4}$ " Copper Flare & 110 Compression Conn. CTS (Corp Stops) have the same threads.
- Mueller 1" Copper Flare & 110 Compression Conn. CTS (Corp Stops) have the same threads.
- $\frac{3}{4}$ " Mueller 110 Compression Conn. CTS (Corp Stop)
Use Wheeler #802050 $\frac{3}{4}$ " CTS Flare Adapter
- $\frac{3}{4}$ " Mueller Copper Flare (Corp Stop)
Use Wheeler #802050 $\frac{3}{4}$ " CTS Flare Adapter
- 1" Mueller 110 Compression Conn. CTS (Corp Stop)
Use Wheeler #802052 1" CTS Flare Adapter
- 1" Mueller Copper Flare (Corp Stop)
Use Wheeler #802052 1" CTS Flare Adapter
- 1 $\frac{1}{2}$ " Mueller 110 Compression Conn. CTS (Corp Stop)
Use Wheeler #802060 1- $\frac{1}{2}$ " Mueller Adapter
- 1 $\frac{1}{2}$ " Mueller Copper Flare (Corp Stop)
Use Wheeler #802056 1- $\frac{1}{2}$ " CTS Flare Adapter
- 2" Mueller 110 Compression Conn. CTS (Corp Stop)
Use Wheeler #802061 2" Mueller Adapter
- 2" Mueller Copper Flare (Corp Stop)
Use Wheeler #802058 2" CTS Flare Adapter



WHEELER-REX LIMITED LIFETIME WARRANTY

WHEELER-REX covers its products with a Limited Lifetime Warranty, with exception of pipe threading machines which have a Limited Three Year Warranty (including electric motors). Warranties from manufacturers of components used in our products may pre-empt the Wheeler-Rex warranty. Wheeler-Rex warranties against defects in material or workmanship. To take advantage of this warranty, the complete product must be delivered prepaid to Wheeler-Rex or any WHEELER-REX AUTHORIZED SERVICE CENTER. No tools are to be returned to the factory without receiving prior authorization. Obviously, failures due to misuse, abuse, or normal wear and tear are not covered by this warranty. NO OTHER WARRANTY, WRITTEN, OR ORAL, APPLIES. THERE ARE NO WARRANTIES WHICH EXTEND BEYOND THE DESCRIPTION ON THE FACE HEREOF. No employee, agent, dealer, or other person is authorized to give any warranty on behalf of Wheeler-Rex. Warranted products will be repaired or replaced at our option, at no charge and returned to you via prepaid transportation. Such replacement or repair is the exclusive remedy available from Wheeler-Rex. Wheeler-Rex is not liable for damage of any sort, including incidental and consequential damages. Some U.S.A. states do not allow the exclusion or limitation of incidental or consequential damages, so the above limitation or exclusion may not apply. This warranty gives you specific legal rights, and you may also have other rights which vary from state to state.

Form # 1031

WARNING

GENERAL TOOL OPERATION WARNINGS

FOR ALL TOOLS--

1. Keep Guards in Place and in working order.
2. Remove Adjusting Keys and Wrenches from tool before turning it on.
3. Keep Work Area Clean. Cluttered areas and benches invite accidents.
4. Avoid Dangerous Environment. Don't use power tools in damp or wet locations. Keep work area well lit. Don't expose power tools to rain.
5. If you must use an electric tool in a damp or wet location; make sure it is plugged into a circuit which is protected by a ground fault interrupt.
6. Keep Children Away. ALL VISITORS SHOULD BE KEPT A SAFE DISTANCE FROM WORK AREA.
7. Store Idle Tools in dry, high, or locked-up place out of reach of children.
8. Don't Force Tool. It will do a better and safer job at the rate for which it is designed.
9. Use Right Tool. Don't force a small tool or attachment to do the job of a heavy-duty tool.
10. Wear Proper Apparel. No loose clothing or jewelry to get caught in moving parts. Rubber gloves and footwear are recommended when working outdoors.
11. Use Safety Glasses.
12. Don't Abuse Cord. Never carry tool by cord or yank it to disconnect from receptacle. Keep cord from heat, oil, and sharp edges.
13. Secure Work. Use clamps or vise to hold work when practical. It's safer than using your hand and it frees both hands to operate tool.
14. Don't Overreach. Keep proper footing and balance at all times.
15. Maintain Tools Properly. Keep tools sharp and clean for best and safest performance. Follow instructions for lubricating and changing accessories. Equipment operators must have proper maintenance & instruction sheets. Be sure the tool operator reads and understands this information. If you don't have current maintenance and instruction sheets, contact the factory & we will supply them at no charge.
16. Disconnect Tools when not in use; before servicing; when changing accessories such as dies, cutters, etc.
17. Avoid Accidental Starting. Don't carry plugged-in tool with finger on switch. Be sure switch is off when plugging in.
18. Outdoor Use Extension Cords. When tool is used outdoors, use only extension cords suitable for use outdoors and so marked.
19. Wear Ear Protection if exposed to long periods of very noisy shop operations.
20. Do not operate tools while under the influence of alcohol, drugs or medication.

Notes.....



Wheeler-Rex • Ashtabula, Ohio
Tel: 800-321-7950 or 440-998-2788 • Fax: 440-992-2925
wheeler@wheelerrex.com • www.wheelerrex.com