



FEATURES

Powered by CentriPro 4" motors for dependable operation and long service life.

Built in Check Valve screws into discharge head from the top, easily removed for drain-back systems or replacement without disassembling the pump. Spring loaded, o-ring poppet design for positive seal in all conditions.

Nylon motor adapter for strength and corrosion resistance.

Stainless steel hex design shafts, shaft couplings, casings and stage bowls inhibit corrosion.

Noryl® engineered composite impellers for abrasion resistance and durability.

Lexan® engineered composite diffusers are abrasion resistant.

All engineered composite components are non-toxic, non-leaching, FDA compliant materials.

Goulds Water Technology field proven floating impeller stack design for superior sand and abrasive handling and durability.

Quad Lock Technology: 4 Roll Formed grooves provide durability and strength, tested to exceed strength of poly and PVC pipes.

Complete pump/motor assemblies are CSA listed, CSA/CUS approved motors are available in 2-wire and 3-wire single phase designs.



HS

60 HZ STANDARD CAPACITY 4" SUBMERSIBLE PUMPS



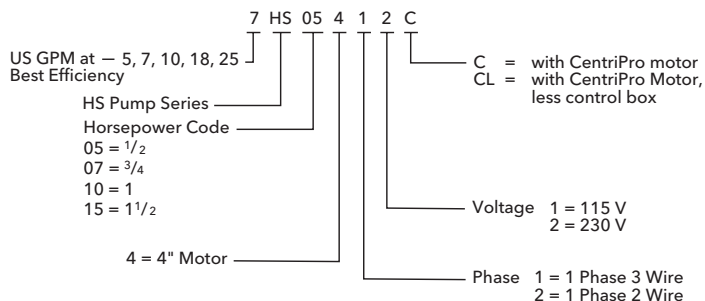
WATER END DATA

| Model | Order No. | Req. HP | Stages | Weight (lbs) | Length (in) |
|-------|-----------|---------|--------|--------------|-------------|
| 5HS | 5HS05 | ½ | 12 | 5.5 | 15.7 |
| | 5HS07 | ¾ | 15 | 6.5 | 17.8 |
| | 5HS10 | 1 | 20 | 8.1 | 21.2 |
| 7HS | 7HS05 | ½ | 10 | 4.9 | 14.6 |
| | 7HS07 | ¾ | 13 | 5.9 | 16.7 |
| | 7HS10 | 1 | 17 | 7.2 | 19.6 |
| 10HS | 10HS05 | ½ | 7 | 3.9 | 12.3 |
| | 10HS07 | ¾ | 10 | 4.9 | 14.3 |
| | 10HS10 | 1 | 12 | 5.5 | 15.7 |
| | 10HS15 | 1½ | 17 | 7.2 | 19.2 |
| 18HS | 18HS07 | ¾ | 6 | 3.8 | 12.6 |
| | 18HS10 | 1 | 8 | 4.5 | 14.3 |
| | 18HS15 | 1½ | 11 | 5.6 | 16.8 |
| 25HS | 25HS10 | 1 | 7 | 4.3 | 14.0 |
| | 25HS15 | 1½ | 9 | 5.1 | 15.9 |

MATERIALS OF CONSTRUCTION

| Part Name | Material |
|--|-----------------------------------|
| Discharge Head | Glass Filled Engineered Composite |
| Check Valve Poppet | Delrin® |
| Check Valve Seal | BUNA, FDA compliant |
| Check Valve Retaining Ring | AISI 302 SS |
| Bearing | Proprietary Engineered Polymer |
| Shaft Retaining Ring | AISI 301 SS |
| Diffuser | Lexan® |
| Impeller | Noryl® |
| Bowl | AISI 304 SS |
| Shim | AISI 304 SS |
| Screws - Cable Guard | AISI 304 SS |
| Motor Adapter | Glass Filled Engineered Composite |
| Casing | AISI 304 SS |
| Shaft | AISI 304 SS |
| Coupling | AISI 304 SS, Powder Metal |
| Cable Guard | AISI 304 SS |
| Optional wrap around suction strainer | |
| Order 7K3356 (quantity 1) • Order 7K3361 (quantity 50) | |

NOMENCLATURE



GENERATION II – 2-WIRE & 3-WIRE WEIGHTS AND DIMENSIONS

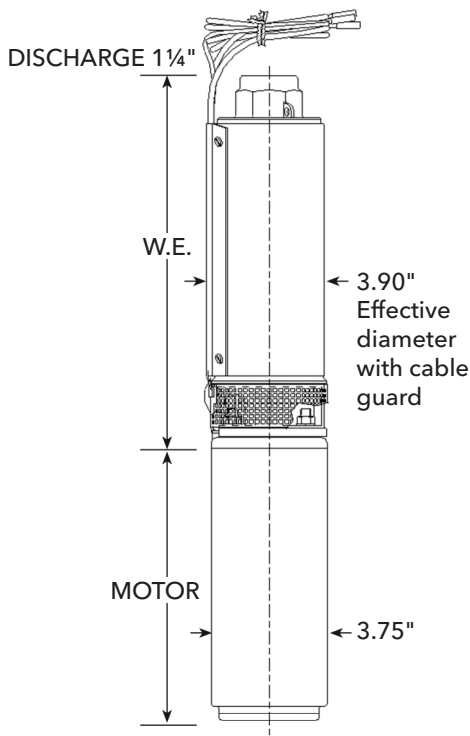
| Type | CentriPro Order No. | HP | Volts | Length (L) In. | Weight (lbs) |
|--------|---------------------|-----|-------|----------------|--------------|
| 2-Wire | M05421 | .5 | 115 | 10.5 | 18 |
| | M05422 | .5 | 230 | 10.5 | 18 |
| | M07422 | .75 | | 11.9 | 22 |
| | M10422 | 1 | | 12.5 | 24 |
| | M15422 | 1.5 | | 14.2 | 28 |
| 3-wire | M05411 | .5 | 115 | 9.6 | 18 |
| | M05412 | .5 | 230 | 9.2 | 17 |
| | M07412 | .75 | | 10.3 | 20 |
| | M10412 | 1 | | 11.2 | 22 |
| | M15412 | 1.5 | | 12.8 | 26 |
| | M20412 | 2 | | 15.1 | 31 |
| | M30412 | 3 | | 18.3 | 40 |
| | M50412 | 5 | | 27.7 | 70 |

2-WIRE MODELS WITH CENTRIPRO MOTOR

| Model | Order No. | HP | Stages | Volts | 2-Wire CP |
|-------|------------|----|--------|-------|-----------|
| 5HS | 5HS05421C | ½ | 12 | 115 | M05421 |
| | 5HS05422C | ½ | 12 | 230 | M05422 |
| | 5HS07422C | ¾ | 15 | 230 | M07422 |
| | 5HS10422C | 1 | 20 | 230 | M10422 |
| 7HS | 7HS05421C | ½ | 10 | 115 | M05421 |
| | 7HS05422C | ½ | 10 | 230 | M05422 |
| | 7HS07422C | ¾ | 13 | 230 | M07422 |
| | 7HS10422C | 1 | 17 | 230 | M10422 |
| 10HS | 10HS05421C | ½ | 7 | 115 | M05421 |
| | 10HS05422C | ½ | 7 | 230 | M05422 |
| | 10HS07422C | ¾ | 10 | 230 | M07422 |
| | 10HS10422C | 1 | 12 | 230 | M10422 |
| | 10HS15422C | 1½ | 17 | 230 | M15422 |
| 18HS | 18HS07422C | ¾ | 6 | 230 | M07422 |
| | 18HS10422C | 1 | 8 | 230 | M10422 |
| | 18HS15422C | 1½ | 11 | 230 | M15422 |
| 25HS | 25HS10422C | 1 | 7 | 230 | M10422 |
| | 25HS15422C | 1½ | 9 | 230 | M15422 |

3-WIRE MODELS WITH CENTRIPRO MOTOR

| Model | Order No. | HP | Stages | Volts | 3-Wire CP |
|-------|------------|----|--------|-------|-----------|
| 5HS | 5HS05411C | ½ | 12 | 115 | M05411 |
| | 5HS05412C | ½ | 12 | 230 | M05412 |
| | 5HS07412C | ¾ | 15 | 230 | M07412 |
| | 5HS10412C | 1 | 20 | 230 | M10412 |
| 7HS | 7HS05411C | ½ | 10 | 115 | M05411 |
| | 7HS05412C | ½ | 10 | 230 | M05412 |
| | 7HS07412C | ¾ | 13 | 230 | M07412 |
| | 7HS10412C | 1 | 17 | 230 | M10412 |
| 10HS | 10HS05411C | ½ | 7 | 115 | M05411 |
| | 10HS05412C | ½ | 7 | 230 | M05412 |
| | 10HS07412C | ¾ | 10 | 230 | M07412 |
| | 10HS10412C | 1 | 12 | 230 | M10412 |
| | 10HS15412C | 1½ | 17 | 230 | M15412 |
| 18HS | 18HS07412C | ¾ | 6 | 230 | M07412 |
| | 18HS10412C | 1 | 8 | 230 | M10412 |
| | 18HS15412C | 1½ | 11 | 230 | M15412 |
| 25HS | 25HS10412C | 1 | 7 | 230 | M10412 |
| | 25HS15412C | 1½ | 9 | 230 | M15412 |



MODEL 5HS

SELECTION CHART

Horsepower Range ½ - 1½, Recommended Range 1.2 - 7.5 GPM, 60 Hz, 3450 RPM

| Pump Model | HP | PSI | Depth to Water in Feet/Ratings in GPM (Gallons per Minute) | | | | | | | | | | | | | | | | | | | | | | | | | | | | | |
|--------------|----|-----|--|-----|-----|-----|-----|-----|-----|-----|-----|-----|-----|-----|-----|-----|-----|-----|-----|-----|-----|-----|-----|-----|-----|-----|-----|-----|-----|-----|-----|--|
| | | | 20 | 40 | 60 | 80 | 100 | 120 | 140 | 160 | 180 | 200 | 220 | 240 | 260 | 280 | 300 | 340 | 380 | 420 | 460 | 500 | 540 | 580 | 620 | 660 | 700 | 740 | 780 | 820 | 860 | |
| 5HS05 | ½ | 0 | | | | | | | 7.7 | 7.3 | 6.9 | 6.4 | 6.0 | 5.6 | 5.1 | 4.7 | 4.1 | 2.6 | | | | | | | | | | | | | | |
| | | 20 | | | | | 7.5 | 7.1 | 6.7 | 6.3 | 5.9 | 5.4 | 5.0 | 4.5 | 3.9 | 3.2 | 2.3 | | | | | | | | | | | | | | | |
| | | 30 | | | | 7.5 | 7.1 | 6.7 | 6.2 | 5.8 | 5.4 | 4.9 | 4.4 | 3.8 | 3.1 | 2.1 | | | | | | | | | | | | | | | | |
| | | 40 | | | 7.4 | 7.0 | 6.6 | 6.2 | 5.7 | 5.3 | 4.9 | 4.3 | 3.7 | 2.9 | 1.9 | | | | | | | | | | | | | | | | | |
| | | 50 | 7.7 | 7.4 | 6.9 | 6.5 | 6.1 | 5.7 | 5.2 | 4.8 | 4.2 | 3.6 | 2.8 | 1.8 | | | | | | | | | | | | | | | | | | |
| | | 60 | 7.3 | 6.9 | 6.5 | 6.0 | 5.6 | 5.2 | 4.7 | 4.2 | 3.5 | 2.6 | 1.6 | | | | | | | | | | | | | | | | | | | |
| Shut-off PSI | | | 156 | 147 | 138 | 130 | 121 | 112 | 104 | 95 | 86 | 78 | 69 | 60 | 52 | 43 | 34 | 17 | | | | | | | | | | | | | | |
| 5HS07 | ¾ | 0 | | | | | | | | | | | 7.6 | 7.3 | 7.0 | 6.6 | 6.3 | 5.9 | 5.2 | 4.4 | 3.3 | 1.6 | | | | | | | | | | |
| | | 20 | | | | | | | | 7.5 | 7.2 | 6.9 | 6.5 | 6.2 | 5.8 | 5.5 | 5.1 | 4.2 | 3.1 | 1.3 | | | | | | | | | | | | |
| | | 30 | | | | | | | 7.5 | 7.2 | 6.8 | 6.5 | 6.1 | 5.8 | 5.4 | 5.0 | 4.6 | 3.6 | 2.1 | | | | | | | | | | | | | |
| | | 40 | | | | | | 7.4 | 7.1 | 6.8 | 6.4 | 6.1 | 5.7 | 5.4 | 5.0 | 4.6 | 4.1 | 2.8 | | | | | | | | | | | | | | |
| | | 50 | | | | | 7.4 | 7.1 | 6.7 | 6.4 | 6.0 | 5.7 | 5.3 | 4.9 | 4.5 | 4.0 | 3.4 | 1.8 | | | | | | | | | | | | | | |
| | | 60 | | | 7.6 | 7.3 | 7.0 | 6.7 | 6.3 | 6.0 | 5.6 | 5.3 | 4.9 | 4.4 | 3.9 | 3.3 | 2.6 | | | | | | | | | | | | | | | |
| Shut-off PSI | | | | | 184 | 175 | 167 | 158 | 149 | 141 | 132 | 123 | 115 | 106 | 97 | 89 | 80 | 63 | 45 | 28 | 11 | | | | | | | | | | | |
| 5HS10 | 1 | 0 | | | | | | | | | | | | | | | 7.5 | 7.0 | 6.5 | 5.9 | 5.3 | 4.6 | 3.8 | 2.8 | 1.6 | | | | | | | |
| | | 20 | | | | | | | | | | | | 7.6 | 7.4 | 7.2 | 7.0 | 6.4 | 5.9 | 5.2 | 4.5 | 3.7 | 2.6 | | | | | | | | | |
| | | 30 | | | | | | | | | | | | 7.6 | 7.4 | 7.2 | 6.9 | 6.7 | 6.1 | 5.5 | 4.8 | 4.0 | 3.1 | 1.9 | | | | | | | | |
| | | 40 | | | | | | | | | | | 7.6 | 7.4 | 7.1 | 6.9 | 6.6 | 6.3 | 5.8 | 5.1 | 4.4 | 3.5 | 2.5 | | | | | | | | | |
| | | 50 | | | | | | | | | | 7.5 | 7.3 | 7.1 | 6.8 | 6.6 | 6.3 | 6.0 | 5.4 | 4.7 | 3.9 | 2.9 | 1.7 | | | | | | | | | |
| | | 60 | | | | | | | | | 7.5 | 7.3 | 7.1 | 6.8 | 6.5 | 6.3 | 6.0 | 5.7 | 5.0 | 4.3 | 3.4 | 2.3 | | | | | | | | | | |
| Shut-off PSI | | | | | | | | | | 214 | 206 | 197 | 188 | 180 | 171 | 162 | 154 | 136 | 119 | 102 | 84 | 67 | 50 | 32 | 15 | | | | | | | |

MODEL 7HS

SELECTION CHART

Horsepower Range ½ - 1, Recommended Range 1.5 - 10 GPM, 60 Hz, 3450 RPM

| Pump Model | HP | PSI | Depth to Water in Feet/Ratings in GPM (Gallons per Minute) | | | | | | | | | | | | | | | | | | | | | | | | | | | | | |
|--------------|----|-----|--|------|------|------|-----|------|------|------|------|------|------|-----|-----|------|-----|-----|-----|-----|-----|-----|-----|-----|-----|-----|-----|-----|-----|-----|--|--|
| | | | 20 | 40 | 60 | 80 | 100 | 120 | 140 | 160 | 180 | 200 | 220 | 240 | 260 | 280 | 300 | 320 | 340 | 360 | 380 | 400 | 420 | 440 | 460 | 480 | 500 | 540 | 580 | 620 | | |
| 7HS05 | ½ | 0 | | | | | | | | | 10.1 | 9.2 | 8.3 | 7.4 | 6.3 | 5.0 | 3.4 | | | | | | | | | | | | | | | |
| | | 20 | | | | | | | 9.8 | 9.0 | 8.1 | 7.1 | 6.0 | 4.6 | 2.7 | | | | | | | | | | | | | | | | | |
| | | 30 | | | | | 9.7 | 8.8 | 7.9 | 6.9 | 5.8 | 4.3 | 2.4 | | | | | | | | | | | | | | | | | | | |
| | | 40 | | | 10.4 | 9.6 | 8.7 | 7.8 | 6.7 | 5.6 | 4.1 | 2.0 | | | | | | | | | | | | | | | | | | | | |
| | | 50 | | 10.3 | 9.4 | 8.5 | 7.6 | 6.6 | 5.4 | 3.8 | 1.7 | | | | | | | | | | | | | | | | | | | | | |
| | | 60 | 10.2 | 9.3 | 8.4 | 7.5 | 6.4 | 5.1 | 3.5 | | | | | | | | | | | | | | | | | | | | | | | |
| Shut-off PSI | | | 125 | 116 | 107 | 99 | 90 | 81 | 73 | 64 | 55 | 47 | 38 | 29 | 21 | 12 | | | | | | | | | | | | | | | | |
| 7HS07 | ¾ | 0 | | | | | | | | | | | 10.0 | 9.3 | 8.6 | 7.9 | 7.1 | 6.2 | 5.2 | 4.0 | 2.4 | | | | | | | | | | | |
| | | 20 | | | | | | | | 10.4 | 9.8 | 9.1 | 8.4 | 7.7 | 6.9 | 6.0 | 4.9 | 3.5 | 1.8 | | | | | | | | | | | | | |
| | | 30 | | | | | | | 10.3 | 9.7 | 9.0 | 8.3 | 7.5 | 6.7 | 5.8 | 4.7 | 3.3 | 1.5 | | | | | | | | | | | | | | |
| | | 40 | | | | | | 10.2 | 9.5 | 8.9 | 8.2 | 7.4 | 6.6 | 5.6 | 4.5 | 3.1 | | | | | | | | | | | | | | | | |
| | | 50 | | | | 10.1 | 9.4 | 8.8 | 8.1 | 7.3 | 6.5 | 5.5 | 4.3 | 2.8 | | | | | | | | | | | | | | | | | | |
| | | 60 | | | 10.0 | 9.3 | 8.7 | 7.9 | 7.2 | 6.3 | 5.3 | 4.1 | 2.5 | | | | | | | | | | | | | | | | | | | |
| Shut-off PSI | | | | | 140 | 131 | 122 | 114 | 105 | 96 | 88 | 79 | 70 | 62 | 53 | 44 | 36 | 27 | 18 | 10 | | | | | | | | | | | | |
| 7HS10 | 1 | 0 | | | | | | | | | | | | | | 10.1 | 9.6 | 9.0 | 8.5 | 7.9 | 7.3 | 6.7 | 6.0 | 5.3 | 4.4 | 3.4 | 2.1 | | | | | |
| | | 20 | | | | | | | | | | | 10.4 | 9.9 | 9.4 | 8.9 | 8.3 | 7.7 | 7.1 | 6.5 | 5.8 | 5.0 | 4.1 | 3.0 | 1.6 | | | | | | | |
| | | 30 | | | | | | | | | | 10.3 | 9.9 | 9.3 | 8.8 | 8.2 | 7.6 | 7.0 | 6.4 | 5.7 | 4.9 | 4.0 | 2.8 | | | | | | | | | |
| | | 40 | | | | | | | | | 10.3 | 9.8 | 9.2 | 8.7 | 8.1 | 7.5 | 6.9 | 6.3 | 5.6 | 4.8 | 3.8 | 2.6 | | | | | | | | | | |
| | | 50 | | | | | | | | 10.2 | 9.7 | 9.2 | 8.6 | 8.0 | 7.4 | 6.8 | 6.2 | 5.4 | 4.6 | 3.7 | 2.4 | | | | | | | | | | | |
| | | 60 | | | | | | | 10.1 | 9.6 | 9.1 | 8.5 | 7.9 | 7.3 | 6.7 | 6.0 | 5.3 | 4.5 | 3.5 | 2.2 | | | | | | | | | | | | |
| Shut-off PSI | | | | | | | | 166 | 158 | 149 | 140 | 132 | 123 | 114 | 106 | 97 | 88 | 80 | 71 | 62 | 54 | 45 | 36 | 28 | 19 | 10 | | | | | | |

MODEL 10HS

SELECTION CHART

Horsepower Range ½ - 1½, Recommended Range 3 - 16 GPM, 60 Hz, 3450 RPM

| Pump Model | HP | PSI | Depth to Water in Feet/Ratings in US GPM (Gallons per Minute) | | | | | | | | | | | | | | | | | | | | | |
|--------------|----|-----|---|------|------|------|------|------|------|------|------|------|------|------|------|------|------|------|------|------|------|------|-----|-----|
| | | | 20 | 40 | 60 | 80 | 100 | 120 | 140 | 160 | 180 | 200 | 220 | 240 | 260 | 280 | 300 | 340 | 380 | 420 | 460 | 500 | 540 | |
| 10HS05 | ½ | 0 | | | | 16.0 | 15.3 | 14.3 | 12.8 | 11.3 | 9.0 | 6.4 | | | | | | | | | | | | |
| | | 20 | | 15.9 | 14.9 | 13.8 | 12.5 | 10.8 | 8.3 | 4.8 | | | | | | | | | | | | | | |
| | | 30 | 15.7 | 14.6 | 13.5 | 12.3 | 10.5 | 7.8 | 4.0 | | | | | | | | | | | | | | | |
| | | 40 | 14.5 | 13.4 | 12.0 | 10.3 | 7.5 | 3.0 | | | | | | | | | | | | | | | | |
| | | 50 | 13.0 | 11.5 | 9.8 | 7.2 | | | | | | | | | | | | | | | | | | |
| | | 60 | 11.3 | 9.0 | 6.4 | | | | | | | | | | | | | | | | | | | |
| Shut-off PSI | | | 89 | 81 | 72 | 63 | 55 | 46 | 37 | 29 | 20 | 11 | | | | | | | | | | | | |
| 10HS07 | ¾ | 0 | | | | 15.8 | 15.0 | 14.0 | 13.0 | 12.3 | 11.2 | 10.2 | 8.5 | 6.0 | | | | | | | | | | |
| | | 20 | | | | 15.7 | 14.8 | 13.9 | 12.8 | 12.0 | 11.0 | 9.8 | 8.2 | 5.5 | | | | | | | | | | |
| | | 30 | | | 15.6 | 14.7 | 13.8 | 12.7 | 11.9 | 10.8 | 9.7 | 8.1 | 5.2 | | | | | | | | | | | |
| | | 40 | | 15.6 | 14.7 | 13.8 | 12.7 | 11.9 | 10.8 | 9.7 | 8.1 | 5.2 | | | | | | | | | | | | |
| | | 50 | 15.3 | 14.4 | 13.5 | 12.6 | 11.6 | 10.5 | 9.4 | 7.5 | 4.8 | | | | | | | | | | | | | |
| | | 60 | 14.3 | 13.4 | 12.5 | 11.5 | 10.3 | 9.0 | 7.0 | 4.0 | | | | | | | | | | | | | | |
| Shut-off PSI | | | 130 | 121 | 113 | 104 | 95 | 87 | 78 | 69 | 61 | 52 | 43 | 35 | 26 | 17 | 9 | | | | | | | |
| 10HS10 | 1 | 0 | | | | | | | | | 15.8 | 15.2 | 14.5 | 13.7 | 12.8 | 12.0 | 11.0 | 10.0 | 6.7 | | | | | |
| | | 20 | | | | | | 15.7 | 14.9 | 14.3 | 13.5 | 12.7 | 11.7 | 10.6 | 9.6 | 8.1 | 6.5 | | | | | | | |
| | | 30 | | | | 16.0 | 15.6 | 14.8 | 14.2 | 13.3 | 12.5 | 11.6 | 10.4 | 9.4 | 7.8 | 5.5 | 3.0 | | | | | | | |
| | | 40 | | | 16.0 | 15.5 | 14.7 | 14.1 | 13.2 | 12.4 | 11.5 | 10.3 | 9.1 | 7.4 | 5.0 | 3.0 | | | | | | | | |
| | | 50 | | | 15.3 | 14.6 | 13.9 | 13.0 | 12.3 | 11.3 | 10.1 | 8.9 | 7.0 | 4.3 | | | | | | | | | | |
| | | 60 | 15.8 | 15.2 | 14.5 | 13.7 | 12.8 | 12.0 | 11.0 | 10.0 | 8.6 | 6.7 | 4.0 | | | | | | | | | | | |
| Shut-off PSI | | | 158 | 150 | 141 | 132 | 124 | 115 | 106 | 98 | 89 | 81 | 72 | 63 | 55 | 46 | 37 | 20 | | | | | | |
| 10HS15 | 1½ | 0 | | | | | | | | | | | | 15.7 | 15.3 | 14.8 | 14.4 | 13.3 | 12.2 | 10.9 | 9.3 | 7.1 | 3.0 | |
| | | 20 | | | | | | | | | | | | 16.0 | 15.6 | 15.2 | 14.7 | 14.3 | 13.7 | 13.2 | 11.9 | 10.6 | 9.0 | 6.5 |
| | | 30 | | | | | | | | | | 15.9 | 15.5 | 15.2 | 14.6 | 14.2 | 13.5 | 13.1 | 12.6 | 11.3 | 9.7 | 7.6 | 4.0 | |
| | | 40 | | | | | | | | 15.8 | 15.5 | 15.1 | 14.6 | 14.2 | 13.5 | 13.0 | 12.5 | 11.8 | 10.3 | 8.8 | 6.0 | | | |
| | | 50 | | | | | | 15.7 | 15.4 | 14.9 | 14.5 | 14.0 | 13.4 | 12.8 | 12.3 | 11.7 | 11.0 | 9.4 | 7.4 | 3.4 | | | | |
| | | 60 | | | | | 15.7 | 15.3 | 14.8 | 14.4 | 13.9 | 13.3 | 12.8 | 12.2 | 11.6 | 10.9 | 10.1 | 8.1 | 5.6 | | | | | |
| Shut-off PSI | | | | | | 197 | 188 | 180 | 171 | 162 | 154 | 144 | 136 | 128 | 119 | 110 | 93 | 76 | 58 | 41 | 24 | 6 | | |

MODEL 18HS

SELECTION CHART

Horsepower Range $\frac{3}{4}$ - $1\frac{1}{2}$, Recommended Range 6 - 28 GPM, 60 Hz, 3450 RPM

| Pump Model | HP | PSI | Depth to Water in Feet/Ratings in US GPM (Gallons per Minute) | | | | | | | | | | | | | | |
|--------------|----------------|-----|---|------|------|------|------|------|------|------|------|------|------|------|------|------|------|
| | | | 20 | 40 | 60 | 80 | 100 | 120 | 140 | 160 | 180 | 200 | 220 | 240 | 260 | 280 | 300 |
| 18HS07 | $\frac{3}{4}$ | 0 | | | 28.2 | 26.5 | 24.0 | 21.0 | 17.9 | 13.5 | | | | | | | |
| | | 20 | 27.7 | 25.9 | 23.0 | 20.0 | 16.5 | 10.8 | | | | | | | | | |
| | | 30 | 25.0 | 22.0 | 18.8 | 15.7 | 9.5 | | | | | | | | | | |
| | | 40 | 22.2 | 18.9 | 15.1 | 9.0 | | | | | | | | | | | |
| | | 50 | 18.4 | 15.0 | 7.5 | | | | | | | | | | | | |
| | | 60 | 13.5 | 5.0 | | | | | | | | | | | | | |
| Shut-off PSI | | | 74 | 66 | 58 | 49 | 40 | 32 | 23 | 14 | | | | | | | |
| 18HS10 | 1 | 0 | | | | | 27.0 | 25.5 | 23.6 | 21.2 | 18.8 | 15.9 | 12.0 | | | | |
| | | 20 | | 28.0 | 26.6 | 25.1 | 22.7 | 20.0 | 17.6 | 14.0 | 10.0 | | | | | | |
| | | 30 | 27.9 | 26.1 | 24.3 | 22.2 | 19.8 | 17.1 | 13.8 | 8.3 | | | | | | | |
| | | 40 | 26.0 | 24.1 | 22.0 | 19.7 | 17.0 | 13.1 | 8.0 | | | | | | | | |
| | | 50 | 24.0 | 22.0 | 19.1 | 16.5 | 13.0 | 7.1 | | | | | | | | | |
| | | 60 | 21.0 | 18.6 | 15.8 | 12.0 | | | | | | | | | | | |
| Shut-off PSI | | | 103 | 94 | 86 | 77 | 68 | 60 | 51 | 42 | 34 | 25 | 16 | | | | |
| 18HS15 | $1\frac{1}{2}$ | 0 | | | | | | 28.4 | 27.2 | 26.0 | 24.8 | 23.0 | 21.4 | 19.6 | 17.5 | 15.0 | 12.1 |
| | | 20 | | | | | 27.8 | 26.8 | 25.4 | 24.0 | 22.2 | 20.6 | 18.8 | 16.7 | 14.0 | 10.0 | |
| | | 30 | | | | 27.7 | 26.5 | 25.3 | 23.8 | 22.0 | 20.2 | 18.5 | 16.1 | 13.5 | 10.0 | | |
| | | 40 | | | 27.5 | 26.3 | 25.0 | 23.6 | 22.0 | 20.1 | 18.1 | 16.0 | 13.1 | 9.5 | | | |
| | | 50 | 27.6 | 26.4 | 25.0 | 23.4 | 21.8 | 20.0 | 18.0 | 15.5 | 13.0 | 9.2 | | | | | |
| | | 60 | 26.0 | 24.6 | 23.0 | 21.2 | 19.5 | 17.5 | 15.0 | 12.0 | 7.9 | | | | | | |
| Shut-off PSI | | | 143 | 134 | 126 | 117 | 108 | 100 | 91 | 82 | 74 | 65 | 56 | 48 | 39 | 30 | 22 |

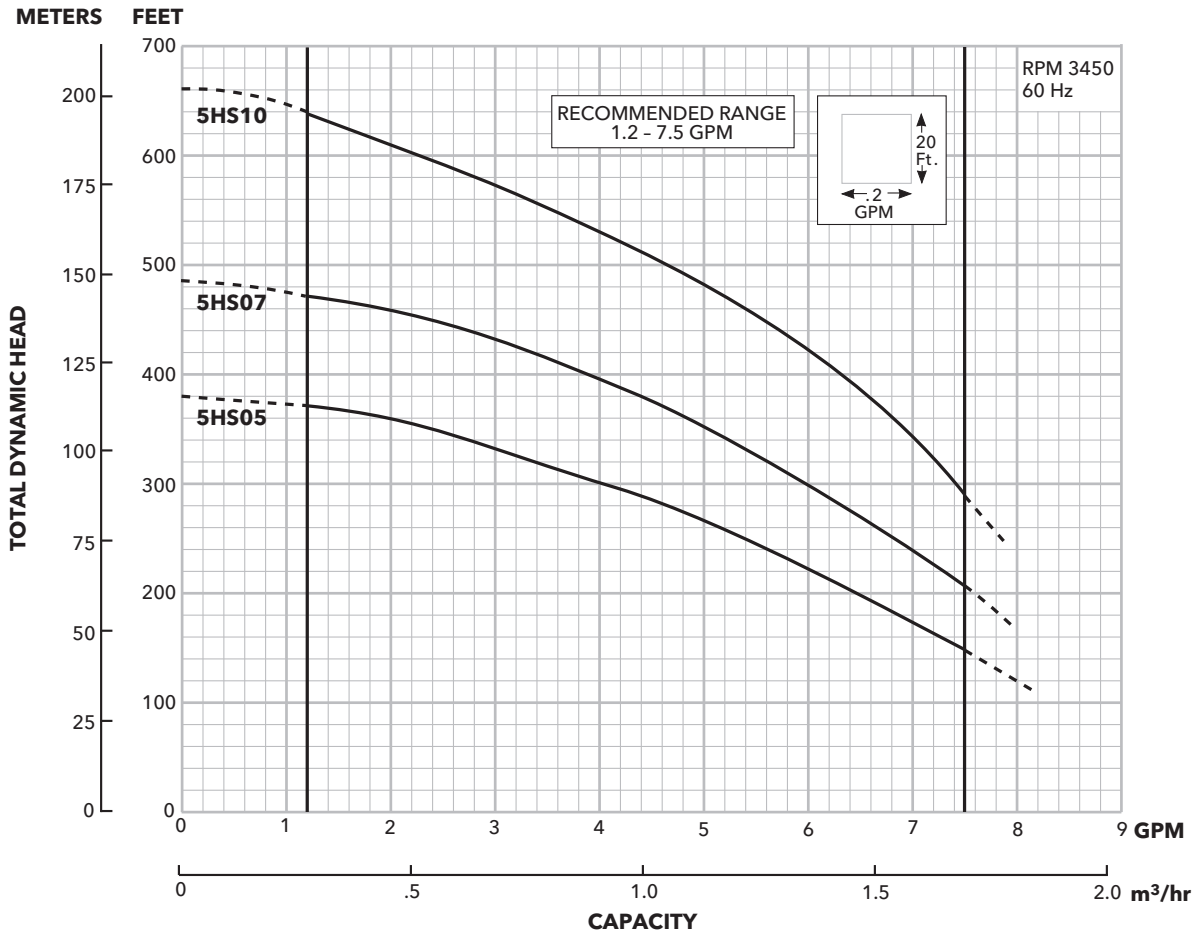
MODEL 25HS

SELECTION CHART

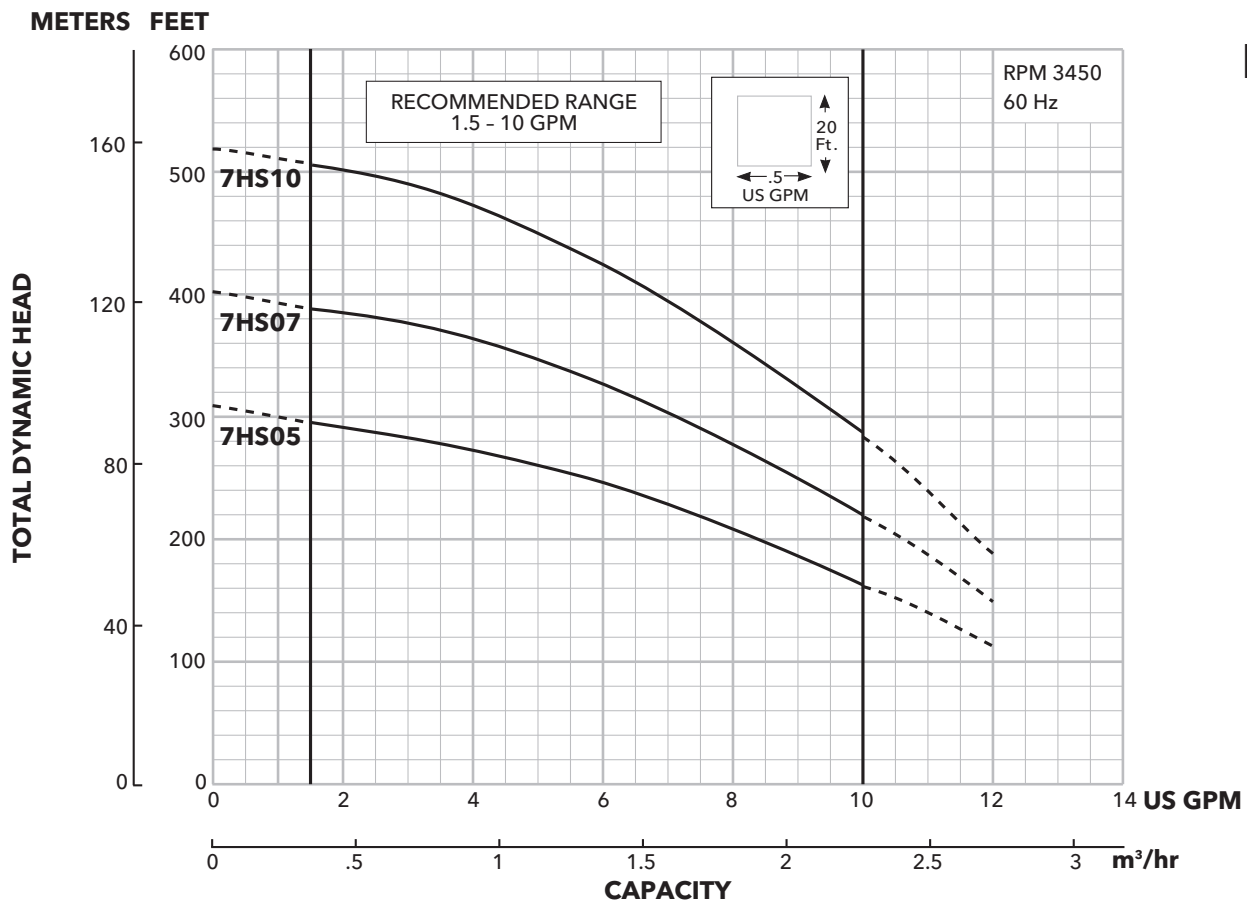
Horsepower Range 1, Recommended Range 8 - 33 GPM, 60 Hz, 3450 RPM

| Pump Model | HP | PSI | Depth to Water in Feet/Ratings in GPM (Gallons per Minute) | | | | | | | | | | | | |
|--------------|----|-----|--|------|------|------|------|------|------|------|------|------|------|------|------|
| | | | 20 | 40 | 60 | 80 | 100 | 120 | 140 | 160 | 180 | 200 | 220 | 240 | 260 |
| 25HS10 | 1 | 0 | | | 31.5 | 29.3 | 27.2 | 24.7 | 22.8 | 18.9 | 15.0 | 10.7 | | | |
| | | 20 | 30.8 | 29.1 | 26.7 | 24.4 | 21.3 | 18.4 | 14.6 | 7.8 | | | | | |
| | | 30 | 28.7 | 26.4 | 24.3 | 21.0 | 17.5 | 13.6 | | | | | | | |
| | | 40 | 26.3 | 24.2 | 20.9 | 17.4 | 13.5 | | | | | | | | |
| | | 50 | 23.6 | 20.4 | 17.0 | 12.6 | | | | | | | | | |
| | | 60 | 19.4 | 15.7 | 10.7 | | | | | | | | | | |
| Shut-off PSI | | | 80 | 72 | 63 | 54 | 47 | 38 | 29 | 21 | 13 | 4 | | | |
| 25HS15 | 1½ | 0 | | | | 32.0 | 30.8 | 29.4 | 27.9 | 26.1 | 24.1 | 21.3 | 19.2 | 16.5 | 11.0 |
| | | 20 | | 31.6 | 30.3 | 28.7 | 27.2 | 25.2 | 23.1 | 20.4 | 17.6 | 14.4 | 7.8 | | |
| | | 30 | 31.5 | 30.1 | 28.6 | 26.8 | 24.8 | 22.5 | 20.3 | 17.4 | 13.6 | | | | |
| | | 40 | 30.0 | 28.5 | 26.7 | 24.7 | 22.4 | 20.2 | 17.2 | 13.2 | | | | | |
| | | 50 | 28.1 | 26.4 | 24.3 | 22.2 | 19.8 | 16.7 | 12.6 | | | | | | |
| | | 60 | 26.1 | 24.1 | 21.3 | 19.2 | 16.0 | 10.7 | | | | | | | |
| Shut-off PSI | | | 108 | 100 | 91 | 82 | 75 | 66 | 57 | 49 | 41 | 32 | 24 | 16 | 7 |

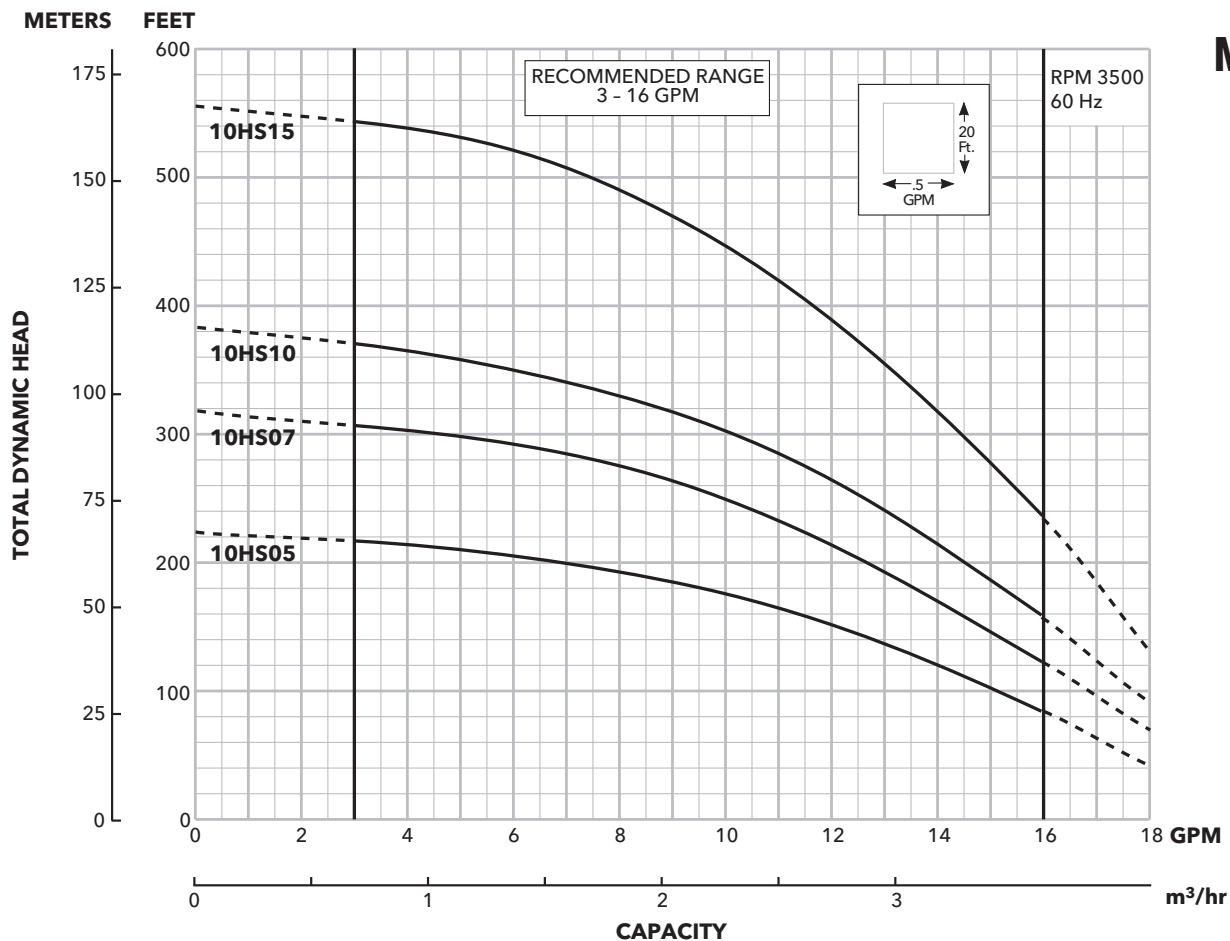
Model 5HS



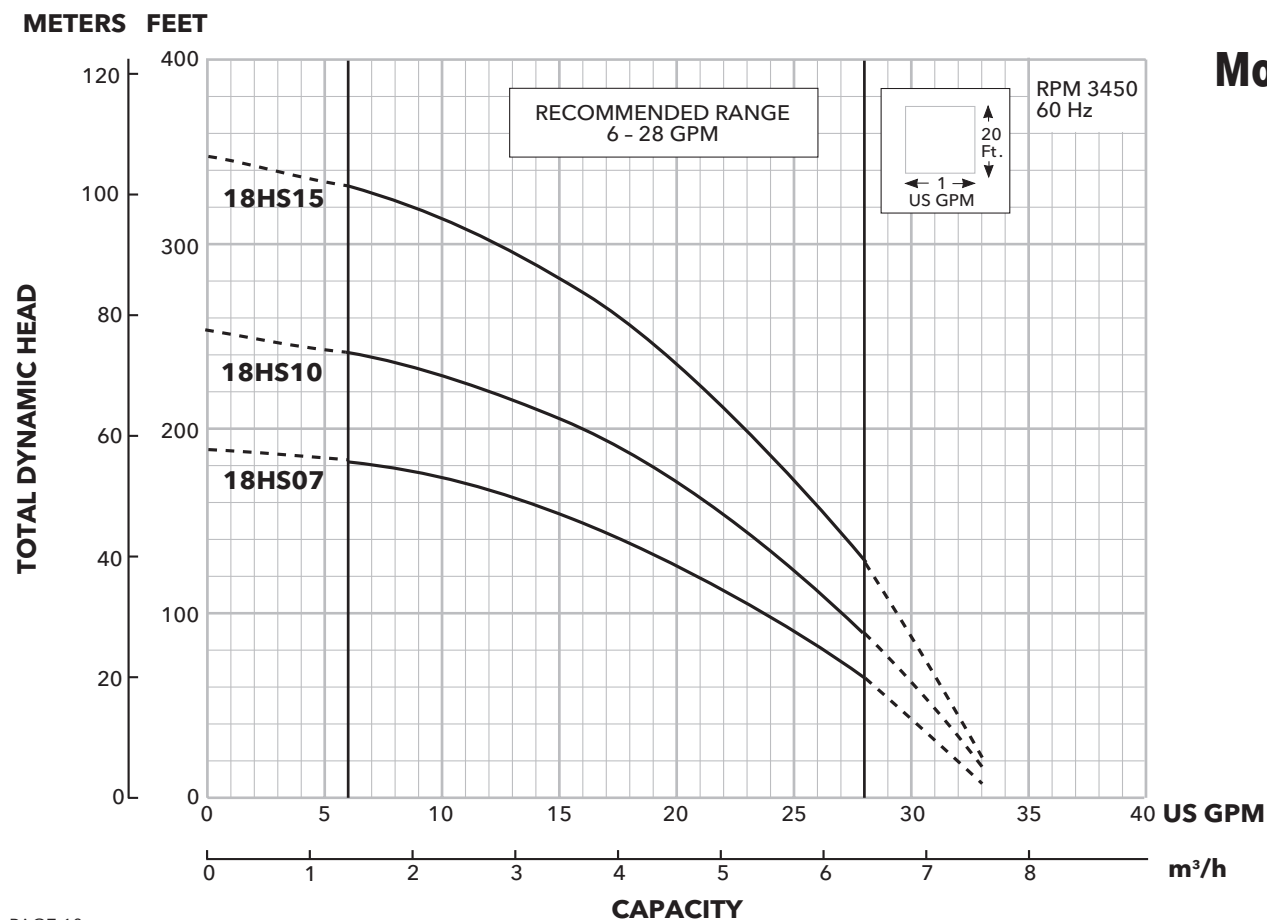
Model 7HS



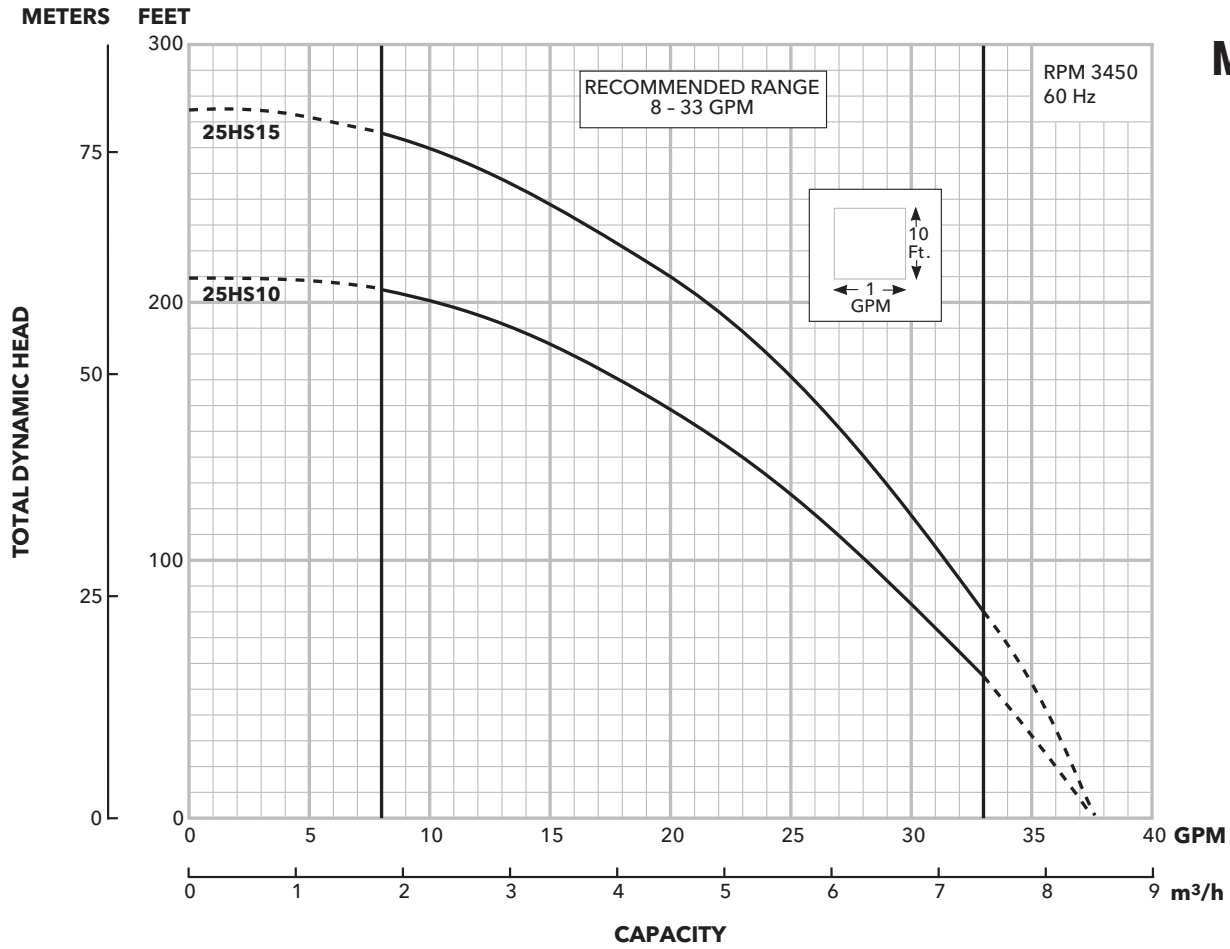
Model 10HS



Model 18HS



Model 25HS



Xylem |'zīləm|

- 1) The tissue in plants that brings water upward from the roots;
- 2) a leading global water technology company.

We're a global team unified in a common purpose: creating advanced technology solutions to the world's water challenges. Developing new technologies that will improve the way water is used, conserved, and re-used in the future is central to our work. Our products and services move, treat, analyze, monitor and return water to the environment, in public utility, industrial, residential and commercial building services, and agricultural settings. With its October 2016 acquisition of Sensus, Xylem added smart metering, network technologies and advanced data analytics for water, gas and electric utilities to its portfolio of solutions. In more than 150 countries, we have strong, long-standing relationships with customers who know us for our powerful combination of leading product brands and applications expertise with a strong focus on developing comprehensive, sustainable solutions.

For more information on how Xylem can help you, go to www.xylem.com



Xylem Inc.
2881 East Bayard Street Ext., Suite A
Seneca Falls, NY 13148
Phone: (866) 325-4210
Fax: (888) 322-5877
www.gouldswatertechnology.com

Goulds is a registered trademark of Goulds Pumps, Inc. and is used under license.
CentriPro is a trademark of Xylem Inc. or one of its subsidiaries.
Noryl and Lexan are trademarks of GE Plastic.
© 2017 Xylem Inc. B5-25HS R3 March 2017