



2AUW/3AUW

INSTALLATION, OPERATION AND TROUBLESHOOTING INSTRUCTIONS



Owner's Information

Please fill in data from your pump nameplate.
Warranty information is on page 4.

Pump Model: _____

Serial Number: _____

Dealer: _____

Dealer's Phone Number: _____

Date of Purchase: _____

Installation Date: _____

Table of Contents

SUBJECT	PAGE
Important Safety Precautions.....	2
Before Starting	2
Operating Instructions.....	3
Repair Parts.....	3
Troubleshooting	4
Goulds Water Technology Limited Warranty	4

Description and Specifications

This Self-Priming – Centrifugal Pump is designed to pump muddy water with minute quantities of suspended solids. When pumping water, the pumps are self priming on static suction lifts up to 25 feet (7.6 meters), while with liquids which foam or foam emulsions, the static suction lift is reduced to 10 feet (3 meters). A cast iron impeller with solids handling capabilities is used.

WARNING THIS PUMP IS DESIGNED TO PUMP WATER. NEVER USE THIS SELF PRIMING PUMP TO PUMP FUEL, FLAMMABLE, CORROSIVE OR COMBUSTIBLE LIQUIDS. PUMPING ABRASIVE LIQUIDS IS ALSO HAZARDOUS. IF IN DOUBT, CONSULT FACTORY FOR PROPER USE AND APPLICATION.

1. Important Safety Precautions

CAUTION BEFORE USING YOUR SELF-PRIMING – CENTRIFUGAL PUMP, READ AND FOLLOW THESE SAFETY PRECAUTIONS.

1. Never use these pumps for pumping flammable liquids such as diesel or gasoline.
2. Before starting the pumps, follow all of the instructions in this manual and any supplemental instructions supplied with the pump.
3. Any person operating this pump and its power unit should be fully aware of its safe operation before they start using it.

4. Never operate an engine driven unit in an explosive atmosphere, near combustible materials, or where insufficient ventilation exists unless specific provisions have been made regarding the power unit so as to prevent possible injury and damage. Be certain the power unit is safe for the area in which it is to be operated.
5. Always be sure the unit is on a secure footing. Keep the immediate pump area free of all unauthorized personnel. If the pump is sitting beside a pit, be sure it is well anchored so that it does not fall in.
6. Never operate the unit with any guards removed.
7. Do not overtighten the drain or filler plugs. Excessive force may damage the threads or the pump body.
8. With engine driven pumps: A) Observe all safety precautions for the handling of fuel. B) Never refuel the engine while running. C) Never refuel a hot engine. D) Run engine only in well ventilated areas.
9. Before working on this pump make sure the power unit cannot inadvertently be started.
10. Be sure the power unit, pump, wiring and piping installations are suitable for the liquid being pumped and comply with all applicable codes and regulations.
11. Use at least 12" (300 mm) of flexible hose to make plumbing connections to the pump body. Rigid piping may put stresses on the pump, causing damage. If rigid piping must be used, properly support it so as to eliminate stresses on the pump.
12. Do not run the pump dry. Always fill the pump body with water before starting. It is not necessary to drain the pump body after use, unless there is danger of freezing, settling of solids, or crystallization.
13. Do not subject pump to extreme conditions of acidity or basicity. Consult factory for specific recommendations concerning chemicals and temperatures.
14. Only use original spare parts.

2. Before Starting

- 2.1 A suction strainer should be attached to the suction hose or pipe. It is provided with holes or slots small enough to prevent big stones, etc., from working through and damaging the pump. Keep the strainer clean. If possible, suspend the strainer to keep it from working into the sediment. Or,
A) Prepare a bed of stones on which to rest the strainer.
B) Tie the strainer inside a basket or pail.
- 2.2 Fill the engine crankcase and air cleaner with oil as specified in the Engine Manual.
- 2.3 FUEL: Regular gasoline (leaded or unleaded) which can be mixed to the extent of 10% by volume with ethanol. **DO NOT** use methanol.
- 2.4 Fill the pump with water through the priming port on the top of the pump. Remember the pump is self-priming only when the pump is filled.
- 2.5 Make certain that all hose and pipe connections are airtight.

IMPORTANT: An air leak in the suction line may prevent priming and will reduce the capacity of the pump. Use sealant on all threaded connections.

2.6 Place the pump on level, firm foundation, putting it as near as possible to the level of the liquid which is to be pumped, but never higher than 25 feet (7.5 meters). Keep all lines straight and as short as possible. Avoid sharp bends.

3. Operating Instructions

3.1 STARTING – See Engine Manual

3.2 PRIMING TIME – with a suction lift from 5 to 10 feet (1.5 to 3 meters)*, the pump should discharge liquid in less than a minute; a suction lift of 25 feet (7.6 meters)*, requires less than 2 minutes. To further reduce priming time the engine speed may be increased, after the engine is properly broken in. If pumping does not start within this time, shut off engine and check to find the difficulty (see Troubleshooting).

3.3 CONTROL – On high suction lifts, a higher engine speed is necessary. On shallow lifts or when there is but a little liquid to pump, save fuel and engine life by reducing the engine speed. (See Engine Manual)

3.4 CHECK VALVE – If discharge line runs vertically more than 30 feet (9 meters), it is advisable to install a check valve in the discharge line near the pump to stop destructive water hammer when pump is shut down. If this is done, it may be necessary to vent the top of the pump so that air can be expelled during automatic re-priming. This air bleed may be accomplished by providing a ¼" (.5 cm) line from the top of the pump back to the liquid source. We will not assume any responsibility for damage to the pump if no check valve is used in the discharge line. Properly fueled and lubricated, your pump will run without attention.

3.5 If flexible hose must be laid across a roadway, protect it with planking. Instantaneous shutoff pressure applied when a vehicle runs over an unprotected hose will cause “hydraulic shock”, which may damage the casing or seals.

3.6 Drain the pump body whenever there is danger of freezing.

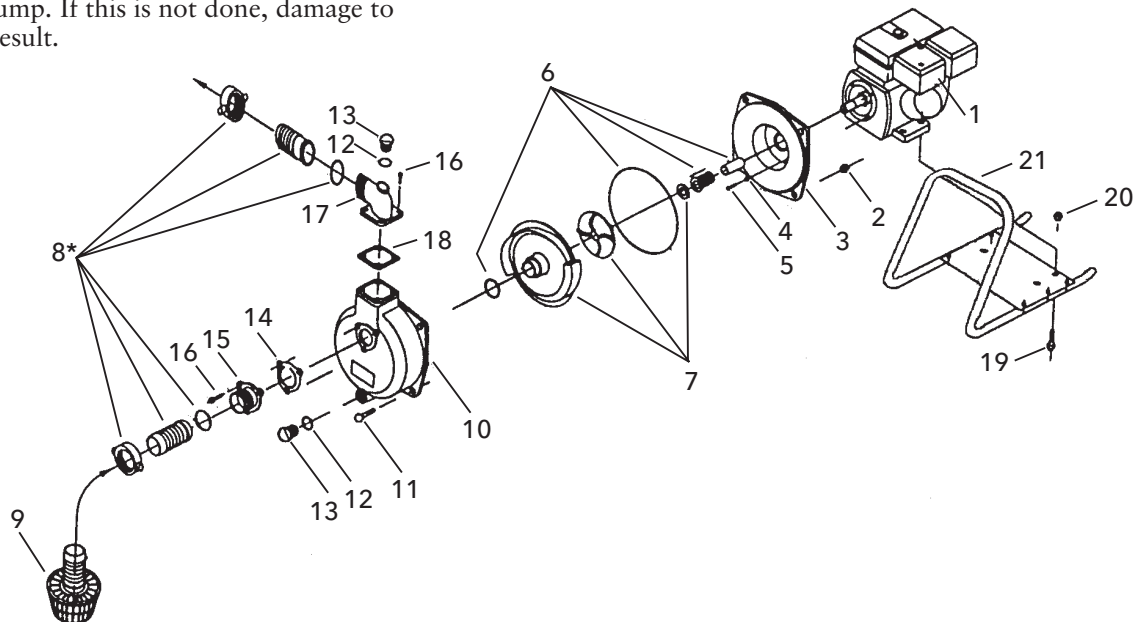
3.7 Always flush out the pump at the end of operation if the liquid being pumped may leave a solid or sticky residue in the pump. If this is not done, damage to the pump may result.

Components List

Item No.	Part Description	Quantity
1	Engine - 3.5 HP	1
	Engine - 5.5 HP	
2	Locknut - ⅜" - 16	4
3	Engine adapter	1
4	Aluminum washer - ⅝"	4
5	Bolt - ⅝" - 24" x ¾"	4
6	Seal assembly	1
	Shaft sleeve	
	O-ring housing	
	O-ring volute	
7	Impeller	1
	Volute	
	Impeller shim: 010, 020, 030	
8*	Hose mounting gasket	2
	Hose mounting nipple	2
	Hose mounting nut	2
	Suction strainer	1
9	Suction strainer	1
13	Pump housing	1
14	Bolt - ⅜" - 16" x 1½"	4
15	O-ring, drain/filler plug	2
16	Drain/fill plug	2
17	Flapper valve	1
18	Suction flange BSP*	1
	Suction flange NPT	
19	Bolt - ⅝" - 18" x ⅞"	7
24	Discharge elbow BSP*	1
	Discharge elbow NPT	
25	Discharge gasket	1
26	Bolt - ⅝" - 18" x 1½"	4
27	Lock nut - ⅝" - 18	4
28	Cradle assembly	1

* Supplied with 2AU, built before September 2005.

See RAU - Model AU Repair Part bulletin for part order numbers.



4. Troubleshooting

A) PUMP FAILS TO PRIME

1. Priming chamber empty or not sufficiently full.
2. Wrong direction of rotation.
3. Air leaks through the suction line joints (loose screws or broken hoses).
4. Quick coupling gaskets broken or not well mounted.
5. Hose clamps loose or broken (tighten or replace).
6. Liquid in priming chamber overheated (fill with cold liquid).
7. Delivery line under pressure (see Operating Instructions).
8. Rotation Speed too slow (increase speed).
9. Worn or broken impeller, worn or damaged volute (replace as required).
10. Air leaks through damaged mechanical seal (replace the seal).

B) LOW CAPACITY

1. Suction strainer clogged (clean).
2. Suction or delivery line obstructed (remove obstruction).
3. High friction losses in the suction line (eliminate unnecessary curves, restrictions or valves).
4. Suction lift too high (set up the pump as near as possible to the water level).
5. Rotation speed too low (increase speed).
6. Impeller clogged (remove obstruction).

LIMITED CONSUMER WARRANTY

For goods sold for personal, family or household purposes, Seller warrants the goods purchased hereunder (with the exception of membranes, seals, gaskets, elastomer materials, coatings and other "wear parts" or consumables all of which are not warranted except as otherwise provided in the quotation or sales form) will be free from defects in material and workmanship for a period of one (1) year from the date of installation or eighteen (18) months from the product date code, whichever shall occur first, unless a longer period is provided by law or is specified in the product documentation (the "Warranty").

Except as otherwise required by law, Seller shall, at its option and at no cost to Buyer, either repair or replace any product which fails to conform with the Warranty provided Buyer gives written notice to Seller of any defects in material or workmanship within ten (10) days of the date when any defects or non-conformance are first manifest. Under either repair or replacement option, Seller shall not be obligated to remove or pay for the removal of the defective product or install or pay for the installation of the replaced or repaired product and Buyer shall be responsible for all other costs, including, but not limited to, service costs, shipping fees and expenses. Seller shall have sole discretion as to the method or means of repair or replacement. Buyer's failure to comply with Seller's repair or replacement directions shall terminate Seller's obligations under this Warranty and render this Warranty void. Any parts repaired or replaced under the Warranty are warranted only for the balance of the warranty period on the parts that were repaired or replaced. The Warranty is conditioned on Buyer giving written notice to Seller of any defects in material or workmanship of warranted goods within ten (10) days of the date when any defects are first manifest.

Seller shall have no warranty obligations to Buyer with respect to any product or parts of a product that have been: (a) repaired by third parties other than Seller or without Seller's written approval; (b) subject to misuse, misapplication, neglect, alteration, accident, or physical damage; (c) used in a manner contrary to Seller's instructions for installation, operation and maintenance; (d) damaged from ordinary wear and tear, corrosion, or chemical attack; (e) damaged due to abnormal conditions, vibration, failure to properly prime, or operation without flow; (f) damaged due to a defective power supply or improper electrical protection; or (g) damaged resulting from the use of accessory equipment not sold or approved by Seller. In any case of products not manufactured by Seller, there is no warranty from Seller; however, Seller will extend to Buyer any warranty received from Seller's supplier of such products.

Goulds Water Technology Policy Concerning Online Sales to Consumers. Homeowners using the Internet to locate information regarding residential water systems, residential wastewater systems, controls and tanks may discover several sites offering a direct-to-consumer purchasing opportunity. Residential water and wastewater systems are mission critical applications and are designed to be installed by qualified professionals. Goulds Water Technology has an extensive nationwide network of distributors and dealers, including authorized resellers. For a complete view of Goulds Water Technology recognized distributors, dealers and authorized resellers, please refer to our locator at: <http://goulds.com/sales-service/>

No warranty is offered on Goulds Water Technology equipment purchased over the Internet, including web-based options from unauthorized retailers. This policy is necessary to ensure that Goulds Water Technology equipment is installed properly, in compliance with applicable laws, rules and codes, in a manner that addresses safety concerns and the proper performance of Goulds Water Technology equipment.

THE FOREGOING WARRANTY IS PROVIDED IN PLACE OF ALL OTHER EXPRESS WARRANTIES. ALL IMPLIED WARRANTIES, INCLUDING BUT NOT LIMITED TO THE IMPLIED WARRANTIES OF MERCHANTABILITY AND FITNESS FOR A PARTICULAR PURPOSE, ARE LIMITED TO ONE (1) YEAR FROM THE DATE OF INSTALLATION OR EIGHTEEN (18) MONTHS FROM THE PRODUCT DATE CODE, WHICHEVER SHALL OCCUR FIRST. EXCEPT AS OTHERWISE REQUIRED BY LAW, BUYER'S EXCLUSIVE REMEDY AND SELLER'S AGGREGATE LIABILITY FOR BREACH OF ANY OF THE FOREGOING WARRANTIES ARE LIMITED TO REPAIRING OR REPLACING THE PRODUCT AND SHALL IN ALL CASES BE LIMITED TO THE AMOUNT PAID BY THE BUYER FOR THE DEFECTIVE PRODUCT. IN NO EVENT SHALL SELLER BE LIABLE FOR ANY OTHER FORM OF DAMAGES, WHETHER DIRECT, INDIRECT, LIQUIDATED, INCIDENTAL, CONSEQUENTIAL, PUNITIVE, EXEMPLARY OR SPECIAL DAMAGES, INCLUDING BUT NOT LIMITED TO LOSS OF PROFIT, LOSS OF ANTICIPATED SAVINGS OR REVENUE, LOSS OF INCOME, LOSS OF BUSINESS, LOSS OF PRODUCTION, LOSS OF OPPORTUNITY OR LOSS OF REPUTATION.

Some states do not allow limitations on how long an implied warranty lasts, so the above limitation may not apply to you. Some states do not allow the exclusion or limitation of incidental or consequential damages, so the above exclusions may not apply to you. This warranty gives you specific legal rights, and you may also have other rights which may vary from state to state.

To make a warranty claim, check first with the dealer from whom you purchased the product or visit www.xylem.com for the name and location of the nearest dealer providing warranty service.



Xylem Inc.
2881 East Bayard Street Ext., Suite A
Seneca Falls, NY 13148
Phone: (866) 325-4210
Fax: (888) 322-5877
www.gouldswatertechnology.com

Goulds is a registered trademark of Goulds Pumps, Inc. and is used under license.
© 2016 Xylem Inc. IM085 Revision Number 4 February 2016



AUW

Bomba de autocebado con motor de impulsión

MANUAL DE INSTALACIÓN, OPERACIÓN E IDENTIFICACIÓN Y RESOLUCIÓN DE PROBLEMAS



Información del propietario

Por favor proporcione la información y entregue este folleto al dueño de casa. La información de la garantía está en la página 8.

Modelo No.: _____

Número de serie: _____

Agente: _____

No. telefónico del agente: _____

Fecha de compra: _____

Instalación: _____

Índice

TEMA	PÁGINA
Descripción y especificaciones	6
Precauciones importantes de seguridad.....	6
Antes del arranque.....	6
Instrucciones de operación	6
Partes de repuesto.....	7
Identificación y resolución de problemas	8
Garantía limitada de Goulds Water Technology	8

Descripción y especificaciones

La bomba centrífuga de autocebado está diseñada para bombear agua turbia con cantidades diminutas de sólidos suspendidos. Cuando bombean agua, las bombas son de autocebado con elevaciones de succión estática de hasta 25 pies (7.6 metros) mientras que con líquidos que producen espuma o emulsiones de espuma, la elevación de succión estática se reduce a 10 pies (3 metros). Se utiliza un impulsor de hierro fundido con capacidad para el manejo de sólidos.

ADVERTENCIA ESTA BOMBA ESTÁ DISEÑADA PARA BOMBEAR AGUA. NUNCA UTILICE ESTA BOMBA DE AUTOCEBADO PARA BOMBEAR COMBUSTIBLE, LÍQUIDOS INFLAMABLES, CORROSIVOS O COMBUSTIBLES. TAMBIÉN ES PELIGROSO BOMBEAR LÍQUIDOS ABRASIVOS. SI TIENE DUDAS, CONSULTE CON LA FÁBRICA CON RESPECTO AL USO Y APLICACIÓN APROPIADOS.

Precauciones importantes de seguridad

PRECAUCIÓN ANTES DE UTILIZAR LA BOMBA CENTRÍFUGA DE AUTOCEBADO, LEA Y SIGA ESTAS INSTRUCCIONES DE SEGURIDAD.

1. Nunca utilice estas bombas para bombear líquidos inflamables como diesel o gasolina.
2. Antes de arrancar las bombas, siga todas las instrucciones en este manual y cualquier instrucción adicional suministrada con la bomba.
3. Toda persona que opere esta bomba y su unidad de energía debe estar familiarizada con su funcionamiento seguro antes de comenzar a usarla.

4. Nunca opere una unidad a motor en una atmósfera explosiva, cerca de materiales combustibles o donde no exista ventilación suficiente, a menos que se hayan tomado las medidas necesarias con respecto a la unidad de energía para evitar posibles lesiones o daños. Cerciórese de que no haya peligro en operar la unidad de energía en el área en la cual se utilizará.
5. Siempre verifique que la unidad esté firmemente en posición. Mantenga a todo el personal no autorizado alejado del área inmediata de la bomba. Si la bomba está instalada adyacente a una fosa, asegúrese de que esté bien sujeta para que no se caiga.
6. Nunca opere la unidad con alguno de los resguardos retirado.
7. No apriete demasiado los tapones de drenaje o de llenado. La fuerza excesiva puede dañar las roscas o el cuerpo de la bomba.
8. Con las bombas a motor: A) Siga todas las precauciones de seguridad para el manejo de combustible. B) Nunca abastezca combustible al motor mientras está funcionando. C) Nunca abastezca combustible a un motor caliente. D) Haga funcionar el motor en áreas bien ventiladas únicamente.
9. Antes de trabajar en esta bomba, asegúrese de que la unidad de energía no pueda arrancarse accidentalmente.
10. Asegúrese de que la unidad de energía, la bomba, el cableado y las instalaciones de tuberías sean adecuadas para el líquido que se está bombeando y que cumplan con todos los códigos y reglamentos pertinentes.
11. Utilice al menos 12 pulg. (300 mm) de manguera flexible para hacer las conexiones de plomería al cuerpo de la bomba. La tubería rígida podría aplicar tensiones sobre la bomba y producir daños. Si se debe usar una tubería rígida, apóyela correctamente para eliminar las tensiones sobre la bomba.
12. No haga funcionar la bomba seca. Siempre llene el cuerpo de la bomba con agua antes de arrancarla. No es necesario drenar el cuerpo de la bomba después de usar, a menos que exista peligro de congelación, asentamiento de sólidos o cristalización.
13. No someta la bomba a condiciones ácidas o básicas extremas. Consulte con la fábrica acerca de recomendaciones específicas con respecto a productos químicos y temperaturas.
14. Sólo use repuestos originales.

2. Antes del arranque

- 2.1 Debe conectarse un colador de succión a la manguera o tubo de succión. Éste tiene agujeros o ranuras suficientemente pequeñas para evitar el paso de piedras grandes que pudiesen entrar y dañar la bomba. Mantenga el colador limpio. Si es posible, cuelgue el colador para evitar que se introduzca en el sedimento.
 - A) Prepare un lecho de piedras sobre las cuales apoyar el colador.
 - B) Amarre el colador dentro de un cesto o balde.
- 2.2 Llene el cárter del motor y el depurador de aire con aceite, tal como se especifica en el Manual del Motor.
- 2.3 COMBUSTIBLE: Gasolina regular (con o sin plomo), la cual puede mezclarse en un 10% por volumen con etanol. NO use metanol.

- 2.4 Llene la bomba con agua hasta el orificio de cebado en el extremo superior de la misma. Recuerde que la bomba es de autocebado sólo cuando está llena.
- 2.5 Asegúrese de que todas las conexiones de mangueras y tuberías sean herméticas.
- IMPORTANTE:** Una fuga de aire en la línea de succión podría impedir el cebado y reducirá la capacidad de la bomba. Utilice sellador en todas las conexiones roscadas.
- 2.6 Coloque la bomba sobre un cimiento firme y nivelado, situándola lo más cerca posible al nivel del líquido que se va a bombear, pero nunca a más de 25 pies (7.6 metros). Mantenga todas las líneas rectas y lo más cortas posible. Evite las curvas pronunciadas.

3. Instrucciones de operación

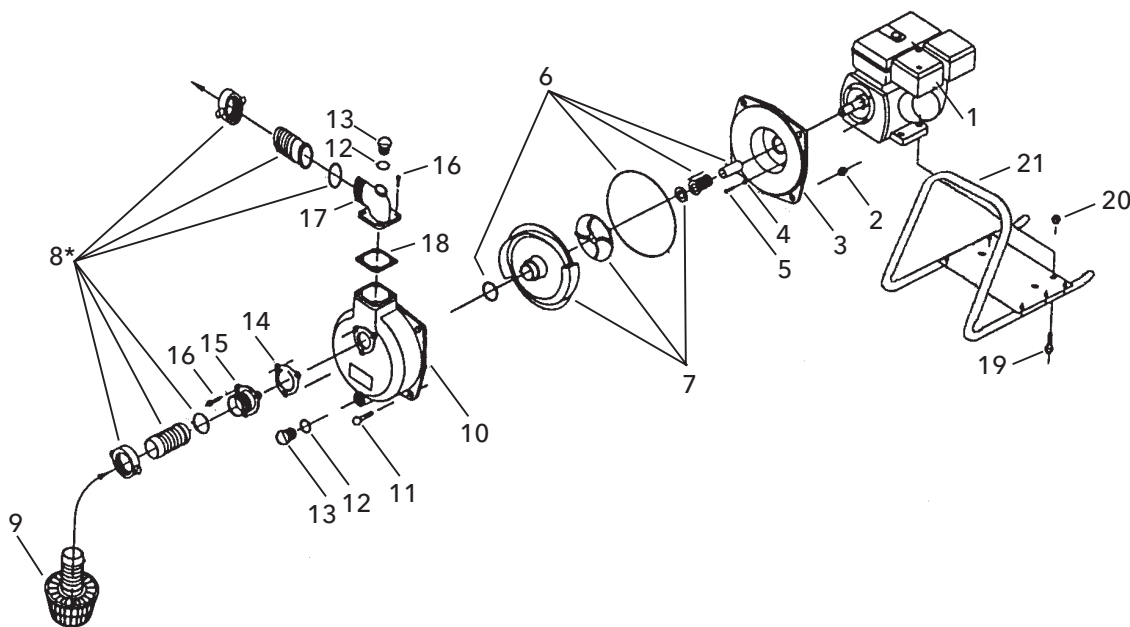
- 3.1 ARRANQUE – Consulte el Manual del Motor
- 3.2 TIEMPO DE CEBADO – con una elevación de succión de 5 a 10 pies (1.5 a 3 metros)*, la bomba debe descargar líquido en menos de un minuto; una elevación de 25 pies (7.6 metros)* requiere menos de 2 minutos. Para reducir aún más el tiempo de cebado, se puede aumentar la velocidad del motor después del período de rodaje correcto. Si no comienza el bombeo en este tiempo, apague el motor e inspeccione para encontrar la dificultad (consulte la sección de Identificación y resolución de problemas).
- 3.3 CONTROL – en el caso de una elevación de succión alta, se requiere una velocidad más alta del motor. En el caso de elevaciones poco profundas o cuando sólo hay una pequeña cantidad de líquido para bombear, ahorre combustible y desgaste del motor reduciendo la velocidad del mismo. (Consulte el Manual del Motor)

Lista de componentes

Artículo N°	Descripción de la parte	Cantidad
1	Motor - 3.5 caballos de fuerza motor - 5.5 caballos de fuerza	1
2	Contratuerca - 3/8 pulg. - 16	4
3	Adaptador del motor	1
4	Arandela de aluminio - 5/16 pulg.	4
5	Perno - 5/16 pulg.- 24 pulg. x 3/4 pulg.	4
6	Conj. del sello Camisa del eje Caja del anillo en O Voluta del anillo en O	1
7	Impulsor Voluta Calza del impulsor: 010, 020, 030	1
8*	Empaquetadura de montaje de la manguera Niple de montaje de la manguera Tuerca de montaje de la manguera Colador de succión	2 2 2 1
9	Colador de succión	1
13	Caja de la bomba	1
14	Perno - 3/8 pulg.- 16 pulg. x 1 1/2 pulg.	4
15	Anillo en O, tapón de drenaje/llenado	2
16	Tapón de drenaje/llenado	2
17	Válvula de chapaleta	1
18	Brida de succión BSP* Brida de succión NPT*	1
19	Perno - 5/16 pulg.- 18 pulg. x 7/8 pulg.	7
24	Codo de descarga BSP* Codo de descarga NPT*	1
25	Empaquetadura de descarga	1
26	Perno - 5/16 pulg. - 18 pulg. x 1 1/2 pulg.	4
27	Contratuerca - 5/16 pulg. - 18	4
28	Conjunto del soporte	1

* Provisto de 2AU, construido antes de septiembre de 2005.

Vea RAU - Modele el boletín de la pieza de reparación del AU para los números de orden de la parte.



- 3.4 VÁLVULA DE RETENCIÓN – si la línea de descarga está más de 30 metros (9 metros) en dirección vertical, se recomienda instalar una válvula de retención en dicha línea cerca de la bomba para evitar el destructivo ariete de agua cuando la bomba está apagada. En este caso, podría ser necesario ventear el extremo superior de la bomba para que pueda expulsarse el aire durante el cebado automático. Esta purga de aire puede lograrse proporcionando una línea de ¼ pulg. (0.5 cm) desde el extremo superior de la bomba de regreso a la fuente de líquido. No asumiremos ninguna responsabilidad por daños a la bomba si no se utiliza una válvula de retención en la línea de descarga. Correctamente abastecida de combustible y lubricada, su bomba funcionará sin necesidad de atención.
- 3.5 Si la manguera flexible debe tenderse atravesando un camino, protéjala con tabloncillos. La presión de cierre instantánea aplicada cuando un vehículo pasa sobre una manguera sin protección producirá un “choque hidráulico”, cuál puede dañar la cubierta o los sellos.
- 3.6 Drene el cuerpo de la bomba cuando haya peligro de congelación.
- 3.7 Siempre purgue la bomba al finalizar la operación si el líquido que se está bombeando podría dejar un residuo sólido o pegajoso en la bomba. De lo contrario, podría dañarse la bomba.

4. Identificación y resolución de problemas

A) LA BOMBA NO SE CEBA

1. La cámara de cebado está vacía o no está suficientemente llena.
2. Dirección de rotación incorrecta.
3. Fuga de aire a través de las uniones de la línea de succión (tornillos sueltos o mangueras rotas).
4. Las empaquetaduras de acoplamiento rápido están rotas o mal instaladas.
5. Las abrazaderas de la manguera están sueltas o rotas (apriételas o reemplácelas).
6. El líquido en la cámara de cebado está demasiado caliente (llene con líquido frío).
7. La línea de entrega está bajo presión (consulte las Instrucciones de funcionamiento).
8. La velocidad de rotación está demasiado lenta (aumente la velocidad).
9. Impulsor gastado o roto, voluta gastada o dañada (reemplácela según sea requerido).
10. Fuga de aire en un sello mecánico dañado (reemplace el sello).

B) BAJA CAPACIDAD

1. Colador de succión obstruido (límpielo).
2. Línea de succión o de entrega obstruida (elimine la obstrucción).
3. Pérdidas de alta fricción en la línea de succión (elimine las curvas, restricciones o válvulas innecesarias).
4. Elevación de succión demasiado alta (instale la bomba lo más cerca posible del nivel de agua).
5. Velocidad de rotación demasiado baja (aumente la velocidad).
6. Impulsor obstruido (elimine la obstrucción).

GARANTÍA LIMITADA DEL CONSUMIDOR

Para mercadería vendida para fines personales, familiares o de vivienda, el Vendedor garantiza que la mercadería vendida conforme al presente (a excepción de membranas, sellos, juntas, materiales de elastómero, recubrimientos y otras "piezas de desgaste" o consumibles, que no están bajo garantía salvo que se especifique lo contrario en el presupuesto o formulario de ventas) estarán libres de defectos en los materiales o mano de obra durante un (1) año a partir de la fecha de instalación o dieciocho (18) meses desde el código de fecha del producto, de los anteriores el que ocurra primero, salvo la ley o la documentación del producto (la "Garantía") especifiquen un período mayor.

Salvo que la ley establezca lo contrario, el Vendedor debe, según su opción y sin costo para el Comprador, reparar o reemplazar cualquier producto que no cumpla con la Garantía; siempre y cuando el Comprador le avise por escrito al Vendedor de cualquier defecto en el material o mano de obra en un plazo de diez (10) días desde la fecha de la primera manifestación del defecto o incumplimiento. Bajo la opción de reparación o reemplazo, el Vendedor no estará obligado a remover o pagar por la remoción del producto defectuoso, o instalar o pagar por la instalación del producto reemplazado o reparado y el Comprador será responsable de todos los demás costos, que incluyen, entre otros, costos de servicio, tarifas de envío y gastos. El método o el medio de reparación o reemplazo será a total discreción del Vendedor. Si el Comprador no cumple con las instrucciones de reparación o reemplazo del Vendedor, esto rescindirá las obligaciones del Vendedor conforme a la presente Garantía y anulará la misma. Cualquier parte reparada o reemplazada bajo la Garantía está bajo garantía solo por el saldo del período de garantía sobre las partes reparadas y reemplazadas. La Garantía está condicionada a que el Comprador le avise por escrito al Vendedor de cualquier defecto en el material o la mano de obra de la mercadería bajo garantía en un plazo de diez (10) días desde la fecha de la primera manifestación del defecto.

El Vendedor no tendrá obligaciones de garantía hacia el Comprador respecto de cualquier producto o partes de un producto que: (a) hayan sido reparados por terceros que no sean el Vendedor o sin la aprobación escrita del Vendedor; (b) hayan estado sujetos a usos indebidos, aplicaciones indebidas, negligencia, alteraciones, accidentes o daños físicos; (c) hayan sido usados de una manera contraria a las instrucciones del Vendedor para la instalación, operación y mantenimiento; (d) hayan sido dañados por desgaste, corrosión o ataque químico habituales; (e) hayan sido dañados por condiciones anormales, vibración, falta de cebado correcto u operación sin flujo; (f) hayan sido dañados por suministro eléctrico defectuoso o protección eléctrica indebida; o (g) hayan sido dañados por el uso de equipos accesorios no vendidos ni aprobados por el Vendedor. En el caso de productos no fabricados por el Vendedor, no habrá Garantía del Vendedor; sin embargo, el Vendedor transferirá al Comprador toda Garantía recibida del proveedor del Vendedor para dichos productos.

Política de Goulds Water Technology sobre ventas en línea a clientes. Los propietarios que utilizan Internet para encontrar información sobre sistemas de agua residenciales, sistemas residenciales de aguas residuales, controles y tanques, pueden descubrir varios sitios que ofrecen oportunidades de compra directa al consumidor. Los sistemas de agua y de aguas residuales residenciales son aplicaciones críticas y su diseño es tal que deben ser instalados por profesionales calificados. Goulds Water Technology posee una extensa red nacional de vendedores y distribuidores, que incluye revendedores autorizados. Para ver una lista completa de vendedores, revendedores y distribuidores autorizados por Goulds Water Technology, consulte nuestro localizador en: <http://goulds.com/sales-service/>

No se ofrece ninguna garantía sobre el equipo de Goulds Water Technology adquirido por medio de Internet y esto incluye las opciones basadas en la red a través de distribuidores minoristas no autorizados. Esta política es necesaria para garantizar que el equipo de Goulds Water Technology se instale de manera adecuada, en cumplimiento con las leyes, reglas y códigos aplicables, de manera que se aborden las preocupaciones de seguridad y el rendimiento apropiado del equipo de Goulds Water Technology.

LA GARANTÍA ANTERIOR SE FORMULA EN LUGAR DE TODA OTRA GARANTÍA EXPRESA. TODAS LAS GARANTÍAS IMPLÍCITAS, INCLUYENDO, ENTRE OTRAS, LAS GARANTÍAS IMPLÍCITAS DE COMERCIABILIDAD Y APTITUD PARA UN FIN EN PARTICULAR, SE LIMITAN A UN (1) AÑO A PARTIR DE LA FECHA DE INSTALACIÓN O DIECIOCHO (18) MESES DESDE EL CÓDIGO DE FECHA DEL PRODUCTO, DE LOS ANTERIORES EL QUE OCURRA PRIMERO. EXCEPTO SEGÚN LO DISPUESTO POR LA LEY EN SENTIDO CONTRARIO, EL RECURSO EXCLUSIVO DEL COMPRADOR Y LA RESPONSABILIDAD TOTAL DEL VENDEDOR POR INCUMPLIMIENTO DE CUALQUIERA DE LAS ANTERIORES GARANTÍAS SE LIMITAN A REPARAR O REEMPLAZAR EL PRODUCTO Y EN TODOS LOS CASOS SE LIMITARÁN AL MONTO PAGADO POR EL COMPRADOR POR EL PRODUCTO DEFECTUOSO. EN NINGÚN CASO EL VENDEDOR SERÁ RESPONSABLE DE CUALQUIER OTRO TIPO DE DAÑOS Y PERJUICIOS, YA SEAN DIRECTOS, INDIRECTOS, LIQUIDADOS, INCIDENTALS, CONSECUENTES, PUNITIVOS, EJEMPLARES O ESPECIALES, LOS QUE INCLUYEN, A TÍTULO ENUNCIATIVO Y NO LIMITATIVO, LUCRO CESANTE, PÉRDIDA DE AHORROS O INGRESOS ANTICIPADOS, PÉRDIDA DE INGRESOS, PÉRDIDA DE NEGOCIOS, PÉRDIDA DE PRODUCCIÓN, PÉRDIDA DE OPORTUNIDADES O PÉRDIDA DE REPUTACIÓN.

Algunos estados no permiten limitaciones sobre la extensión de una garantía implícita, por lo que las limitaciones anteriores pueden no corresponder para usted. Algunos estados no permiten la exclusión o limitación de daños y perjuicios incidentales o consecuentes, por lo que las exclusiones anteriores pueden no corresponder para usted. La presente garantía le otorga derechos legales específicos, y usted también puede tener otros derechos que pueden variar dependiendo del estado.

Para realizar un reclamo de garantía, primero verifique con el representante a quien le compró el producto o visite xxx.xylem.com para buscar el nombre y ubicación del representante más cercano que ofrezca servicio de garantía.



Xylem Inc.
2881 East Bayard Street Ext., Suite A
Seneca Falls, NY 13148
Teléfono: (866) 325-4210
Fax: (888) 322-5877
www.gouldswatertechnology.com

Goulds es una marca registrada de Goulds Pumps, Inc. y se utiliza bajo licencia.
© 2016 Xylem Inc. IM085 Revisión Número 4 Febrero 2016



AUW

Pompe auto-amorçante
à moteur à combustion

MANUEL D'INSTALLATION, D'UTILISATION ET DE DÉPANNAGE



Fiche du client

Remplir la fiche et donner le livret au propriétaire. Pour les conditions de garantie, voir page 12.

Numéro du modèle : _____

Numéro de modèle : _____

Détaillant : _____

N° de téléphone du détaillant: _____

Date de l'achat : _____

Installation : _____

Table des matières

SUJET	PAGE
Description et caractéristiques.....	10
Consignes de sécurité importantes.....	10
Préparatifs de mise en service.....	10
Directives d'utilisation.....	11
Liste de composants.....	11
Dépannage.....	12
Garantie limitée de Goulds Water Technology.....	12

Description et caractéristiques

La pompe centrifuge auto-amorçante A UW est conçue pour pomper l'eau boueuse contenant une infime quantité de solides en suspension. La hauteur géométrique d'aspiration maximale de la pompe est de 7,6 m (25 pi) pour l'eau, mais baisse à 3 m (10 pi) pour les liquides écumeux et les émulsions moussantes. La pompe est munie d'une roue en fonte pouvant pomper les solides.



LA POMPE AUTO-AMORÇANTE A UW EST CONÇUE POUR POMPER L'EAU. NE JAMAIS L'EMPLOYER POUR LES CARBURANTS NI POUR LES LIQUIDES CORROSIFS, COMBUSTIBLES OU INFLAMMABLES. LES LIQUIDES ABRASIFS CONSTITUENT AUSSI UN RISQUE. EN CAS DE DOUTE SUR L'UTILISATION DE LA POMPE, COMMUNIQUER AVEC L'USINE.

Consignes de sécurité importantes



AVANT D'UTILISER LA POMPE A UW, LIRE ET SUIVRE LES CONSIGNES DE SÉCURITÉ CI-APRÈS.

1. Ne jamais employer la pompe pour les liquides inflammables tels que l'essence et le gazole (diesel).
2. Avant de mettre la pompe en service, suivre les directives du présent manuel et toute directive supplémentaire fournie avec la pompe.
3. Les personnes chargées de l'utilisation de la pompe et de son groupe moteur doivent en connaître à fond le mode d'utilisation sécuritaire avant de commencer à s'en servir.

4. Ne jamais faire fonctionner une pompe à moteur à combustion dans une atmosphère explosive, près de matières combustibles ni dans un lieu non suffisamment ventilé, sauf si l'on a pris des mesures spéciales quant au moteur pour prévenir blessures et dommages. S'assurer que le moteur ne présentera aucun danger là où on prévoit l'utiliser.
5. Il faut toujours s'assurer que l'appareil est installé sur une surface portante solide. S'il est près d'une fosse, voir à ce qu'il soit bien fixé pour ne pas qu'il y tombe. Ne permettre l'accès aux environs immédiats de la pompe qu'au personnel autorisé.
6. Ne jamais faire fonctionner l'appareil sans ses carters de protection.
7. Ne pas trop serrer les bouchons de vidange et de remplissage pour ne pas endommager les filets ni le corps de pompe.
8. Dans le cas des pompes à moteur à combustion : a) observer toutes les mesures de sécurité visant la manutention des carburants ; b) ne jamais faire le plein pendant que le moteur est en marche ; c) ne jamais faire le plein quand le moteur est chaud ; d) faire fonctionner le moteur uniquement dans un endroit bien ventilé.
9. Avant d'effectuer tout travail sur la pompe, s'assurer que le moteur ne peut être mis en marche par inadvertance.
10. S'assurer que le moteur, la pompe, le câblage et la tuyauterie sont appropriés au liquide pompé et conformes aux codes et règlements applicables.
11. Employer au moins 30 cm (12 po) de tuyau souple pour raccorder la tuyauterie au corps de pompe : un raccordement rigide pourrait exercer des contraintes sur la pompe et l'endommager. Si l'on doit utiliser un raccord rigide, supporter la tuyauterie correctement pour éliminer toute contrainte.
12. Ne pas faire fonctionner la pompe à sec. On doit toujours remplir le corps de pompe d'eau avant la mise en marche. Il n'est pas nécessaire de vidanger le corps de pompe après usage, sauf s'il y a risque de gel, de dépôt de solides ou de cristallisation.
13. Ne pas exposer la pompe à des produits d'une acidité ou d'une alcalinité extrêmes. Communiquer avec l'usine pour obtenir des recommandations précises sur les produits chimiques et les températures de service.
14. N'employer que des pièces de rechange d'origine.

Préparatifs de mise en service

1. Une crépine devrait être posée à l'entrée du tuyau d'aspiration. Ses orifices sont suffisamment petits pour empêcher les roches et autres solides d'être aspirés dans la pompe et d'endommager celle-ci. Maintenir les orifices de la crépine dégagés. Dans la mesure du possible, suspendre la crépine pour ne pas qu'elle aspire les sédiments, ou bien : a) former un lit de pierres sur lequel on placera la crépine ; b) fixer la crépine à l'intérieur d'un panier ou d'un seau.
2. Remplir le réservoir d'huile et le boîtier du filtre à air avec l'huile spécifiée dans le manuel d'utilisation du moteur.

3. CARBURANT : essence ordinaire (avec ou sans plomb) pouvant être mélangée avec un maximum de 10 % d'alcool éthylique en volume. NE PAS employer d'alcool méthylique.
4. Remplir le corps de pompe d'eau par l'orifice de remplissage situé sur le dessus. Ne pas oublier que l'auto-amorçage n'est possible que lorsque le corps de pompe est rempli d'eau.
5. S'assurer que tous les raccords de tuyauterie sont étanches.

IMPORTANT : toute fuite dans la tuyauterie d'aspiration peut empêcher l'amorçage et réduire le débit de la pompe. Employer un produit d'étanchéité pour tous les raccords filetés.

6. Placer la pompe sur une surface portante solide et de niveau, aussi près que possible du liquide à pomper, mais pas plus haut que 7,6 m (25 pi) par rapport au liquide. Garder la tuyauterie aussi droite que possible. Ne pas employer de coudes en équerre.

Directives d'utilisation

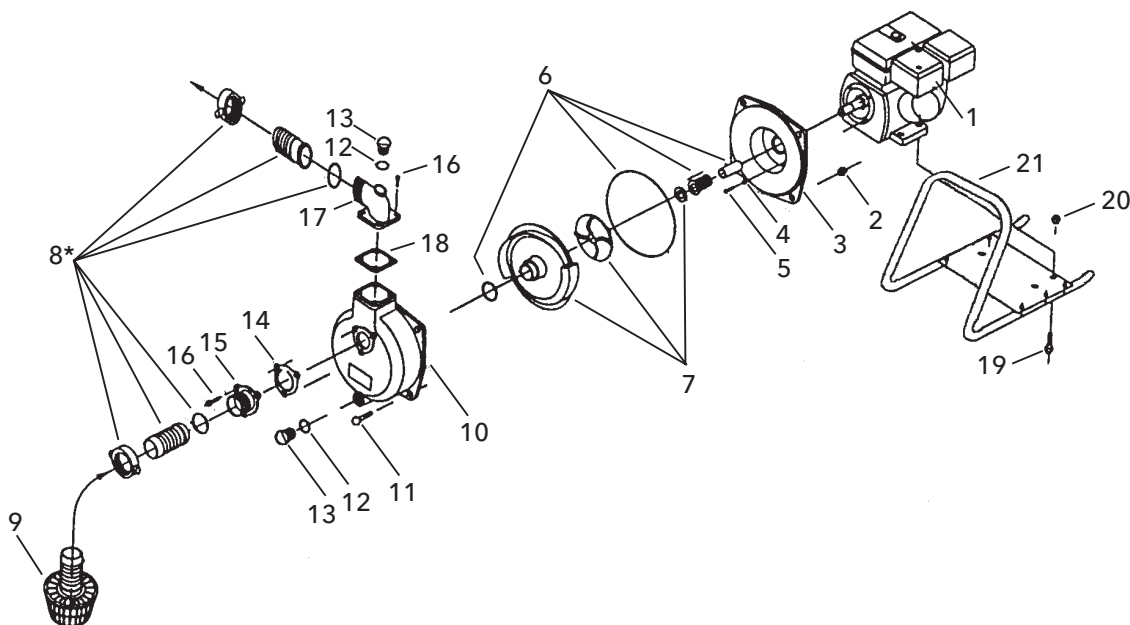
1. DÉMARRAGE — voir le manuel d'utilisation du moteur.
2. TEMPS D'AMORÇAGE — pour une hauteur d'aspiration de 1,5 à 3 m (5 à 10 pi), le liquide devrait sortir de la pompe en moins d'une minute et, pour 7,6 m (25 pi), en moins de deux minutes. Pour réduire le temps d'amorçage, on peut augmenter la vitesse du moteur une fois que celui-ci a été rodé correctement. Si le pompage ne commence pas pendant ce temps, arrêter le moteur et en chercher la cause (voir Dépannage).
3. VITESSE DE ROTATION — une vitesse de rotation accrue est nécessaire pour les hauteurs d'aspiration élevées. Quand la hauteur d'aspiration et la quantité de liquide sont faibles, réduire la vitesse de rotation pour économiser l'essence et prolonger la vie du moteur. (Voir le manuel d'utilisation du moteur.)

Liste de composants

N° d'art.	Description	Quantité
1	Moteur – 3.5 hp	1
	Moteur – 5.5 hp	
2	Écrous freinés – 3/8 po x 16	4
3	Adaptateur de moteur	1
4	Rondelles en aluminium – 5/16 po	4
5	Vis – 5/16 po x 3/4 po x 24	4
6	Garniture mécanique	1
	Chemise d'arbre	
	Joint torique du corps de pompe	
	Joint torique de la volute	
7	Roue	1
	Volute	
	Cales de roue – épaisseurs : 0,010, 0,020 et 0,030 po	3
	8*	Joints d'étanchéité du tuyau souple
	Mamelons du tuyau souple	2
	Écrous de fixation du tuyau souple	2
	Crépine	1
9	Crépine	1
13	Corps de pompe	1
14	Vis – 3/8 po x 1 1/2 po x 16	4
15	Joints toriques (bouchons de remplissage et de vidange)	2
16	Bouchons (remplissage et vidange)	2
17	Clapet de non-retour à battant	1
18	Bride d'aspiration BSP*	1
	Bride d'aspiration NPT	
19	Vis – 5/16 po x 7/8 po x 18	7
24	Coude de refoulement BSP*	1
	Coude de refoulement NPT	
25	Joint d'étanchéité (coude de refoulement)	1
26	Vis – 5/16 po x 1 1/2 po x 18	4
27	Écrous freinés – 5/16 po x 18	4
28	Bâti-support	1

* Fourni avec 2AU, construit avant septembre 2005.

Voir le RAU - Modélez le bulletin de pièce de réparation d'AU pour des numéros de commande de partie.



4. CLAPET DE NON-RETOUR — si le tuyau de refoulement monte sur une hauteur de plus de 9 m (30 pi), il est conseillé de poser un clapet de non-retour sur le tuyau en question, près de la pompe, pour empêcher les effets destructeurs des coups de bélier à l'arrêt de cette dernière. Il pourrait cependant être nécessaire de poser un purgeur d'air sur le dessus de la pompe pour évacuer l'air au cours de l'auto-amorçage. Pour ce faire, on peut utiliser un tube de 0,5 cm (1/4 po) de calibre pour amener l'air purgé directement dans la source de liquide. Nous ne serons nullement tenus responsables des dommages causés à la pompe par l'absence d'un clapet de non-retour sur le tuyau de refoulement. Si la lubrification et le plein sont effectués correctement, la pompe fonctionnera sans surveillance.
5. Lorsqu'un tuyau souple doit traverser une voie carrossable, le protéger en le bordant de madriers pour prévenir les « coups de bélier » causés par l'augmentation de pression instantanée due à l'écrasement du tuyau par les roues des véhicules, ce qui peut endommager l'enveloppe ou les joints.
6. Vidanger le corps de pompe chaque fois qu'il y a risque de gel.
7. Lorsque le liquide pompé peut former des résidus gluants ou solides dans la pompe, après usage, il faut toujours rincer l'intérieur de celle-ci afin de prévenir les dommages.

Dépannage

A. AMORÇAGE IMPOSSIBLE

1. La chambre d'amorçage est vide ou insuffisamment pleine.
2. La pompe tourne dans le mauvais sens.
3. La tuyauterie d'aspiration ou ses raccords fuient (tuyaux fissurés ou raccords mal serrés).
4. Les joints d'étanchéité des raccords rapides sont endommagés ou mal posés.
5. Des colliers de serrage des raccords de tuyauterie sont mal serrés ou brisés (les serrer ou les remplacer).
6. Le liquide de la chambre d'amorçage est trop chaud (remplir la chambre de liquide froid).
7. La tuyauterie de refoulement est sous pression (voir Directives d'utilisation).
8. La vitesse de rotation est trop lente (l'augmenter).
9. La roue ou la volute sont usées ou endommagées (les remplacer au besoin).
10. La garniture mécanique est abîmée et fuit (la remplacer).

B. DÉBIT FAIBLE

1. La crépine est engorgée (la nettoyer).
2. La tuyauterie d'aspiration ou de refoulement est obstruée (la déboucher).
3. La perte de charge (par frottement) de la tuyauterie d'aspiration est élevée (éliminer les courbes, les réducteurs et la robinetterie non nécessaires).
4. La hauteur d'aspiration est trop élevée (placer la pompe aussi près que possible du niveau du liquide).
5. La vitesse de rotation est trop lente (l'augmenter).
6. La roue est engorgée (la nettoyer).

GARANTIE LIMITÉE DU CONSOMMATEUR

Pour les biens vendus à des fins personnelles, familiales ou domestiques, le Vendeur garantit que les biens achetés ci-après (avec l'exception des membranes, joints, joints d'étanchéité, matériaux élastomères, revêtements et autres « pièces d'usure » ou consommables qui ne sont pas garantis sauf si autrement indiqué dans la proposition ou le formulaire de ventes) seront exempts de tout défaut de matériaux ou de fabrication pour une période de un (1) an à partir de la date d'installation ou 18 (18) mois à partir du code de date du produit, selon la première éventualité, à moins qu'une période plus longue soit prévue par la loi ou spécifiée dans la documentation du produit (la « Garantie »).

Sauf mention contraire dans la loi, le Vendeur devra, à sa discrétion et sans frais pour l'Acheteur, soit réparer soit remplacer tout produit qui ne se conforme pas avec la Garantie en autant que l'Acheteur donne un avis écrit au Vendeur de tous défauts de matériaux ou de fabrication en dedans de dix (10) jours de la date lorsque tous défauts ou non conformité se manifeste. Que ce soit pour une réparation ou un remplacement, le Vendeur ne sera pas obligé d'enlever ou de payer pour le retrait du produit défectueux ou d'installer ou de payer pour l'installation du produit remplacé ou réparé et l'Acheteur sera responsable de tous les autres coûts, incluant mais sans s'y limiter, les coûts de service, les frais et les dépenses de transport. Le Vendeur aura une absolue discrétion en ce qui concerne la méthode ou les moyens de réparation ou de remplacement. Le non-respect de l'Acheteur de se conformer aux directives de réparation ou de remplacement du Vendeur mettra fin aux obligations du Vendeur sous cette Garantie et annulera cette Garantie. Toutes les pièces réparées ou remplacées sous la Garantie sont garanties seulement pour le restant de la période de garantie sur les pièces qui ont été réparées ou remplacées. La Garantie est conditionnelle à ce que l'Acheteur donne un avis écrit au Vendeur de tous défauts dans les matériaux ou la fabrication des biens garantis en dedans de dix (10) jours de la date lorsque tous défauts se sont manifestés.

Le Vendeur n'aura aucune obligation de garantie à l'Acheteur en ce qui a trait à tout produit ou toutes pièces qui ont été : (a) réparés par des tiers autre que le Vendeur ou sans l'approbation écrite du Vendeur; (b) sujets à une mauvaise utilisation, un usage impropre, une altération, un accident, ou dommage physique; (c) utilisés de manière contraire aux instructions du Vendeur pour l'installation, le fonctionnement ou l'entretien; (d) endommagés par l'usure ordinaire, la corrosion, ou une attaque chimique; (e) endommagés à cause de conditions anormales, de vibrations, d'un manque dans une mise en service appropriée, ou d'un fonctionnement sans débit; (f) endommagés à cause d'une alimentation électrique défectueuse ou de protection électrique inappropriée; ou (g) endommagés suite à l'utilisation d'accessoires non vendus ou approuvés par le Vendeur. Dans tous les cas de produits non fabriqués par le Vendeur, il n'y a aucune garantie de la part du Vendeur; toutefois, le Vendeur prolongera à l'Acheteur toute garantie reçue du fournisseur du Vendeur de tels produits.

Politique de Goulds Water Technology concernant les ventes en ligne aux clients. Les propriétaires de maison utilisant l'Internet pour trouver des informations concernant les systèmes d'eau résidentielle, les systèmes d'eaux usées résidentielles, les commandes et les réservoirs peuvent découvrir plusieurs sites offrant la possibilité de faire des achats directs. Les systèmes d'eau et d'eaux usées résidentielles sont des applications très importantes conçues pour être installées par des professionnels qualifiés. Goulds Water Technology dispose d'un vaste réseau national de distributeurs et de concessionnaires ainsi que de revendeurs agréés. Pour obtenir une liste complète des distributeurs reconnus ainsi que des concessionnaires et des revendeurs agréés de Goulds Water Technology, veuillez consulter notre localisateur à : <http://goulds.com/sales-service/>

Aucune garantie n'est offerte sur l'équipement Goulds Water Technologie acheté sur l'Internet, incluant les options basées sur le Web provenant de détaillants non autorisés. Cette politique est nécessaire afin d'assurer que l'équipement de Goulds Water Technology est correctement installé, conformément aux lois, règlements et codes en vigueur, de manière qui couvre les préoccupations de sécurité et la bonne performance de l'équipement de Goulds Water Technology.

LA GARANTIE QUI PRÉCÈDE EST FOURNIE À LA PLACE DE TOUTES AUTRES GARANTIES EXPRESSES. TOUTES LES GARANTIES IMPLICITES, Y COMPRIS MAIS SANS S'Y LIMITER LES GARANTIES IMPLICITES DE VALEUR MARCHANDE ET D'ADAPTABILITÉ POUR UN BUT PARTICULIER, SONT LIMITÉES À UN (1) AN DE LA DATE DE L'INSTALLATION OU DIX-HUIT (18) MOIS DU CODE DE DATE DU PRODUIT, SELON LA PREMIÈRE ÉVENTUALITÉ. SAUF LORSQU'AUTREMENT REQUIS PAR LA LOI, L'UNIQUE RECOURS DE L'ACHETEUR ET LA RESPONSABILITÉ GLOBALE DU VENDEUR POUR VIOLATION DE TOUTES GARANTIES QUI PRÉCÈDENT SONT LIMITÉS À LA RÉPARATION OU AU REMPLACEMENT DU PRODUIT ET NE SERONT EN AUCUN CAS LIMITÉS AU MONTANT PAYÉ PAR L'ACHETEUR POUR LE PRODUIT DÉFECTUEUX. DANS AUCUN CAS LE VENDEUR NE SERA RESPONSABLE DE TOUTE AUTRE FORME DE DOMMAGES, QU'ILS SOIENT DIRECTS, INDIRECTS, LIQUIDÉS, ACCESSOIRES, PUNITIFS, EXEMPLAIRES OU DOMMAGES SPÉCIAUX, INCLUANT MAIS SANS S'Y LIMITER LA PERTE DE PROFIT, LA PERTE D'ÉCONOMIES OU DE REVENUS ANTICIPÉS, LA PERTE DE REVENU, LA PERTE COMMERCIALE, LA PERTE DE PRODUCTION, LA PERTE D'OPPORTUNITÉ OU LA PERTE DE RÉPUTATION.

Certaines provinces ne permettent pas de limiter la durée des garanties implicites, par conséquent la limite ci-dessus peut ne pas s'appliquer à vous. Certaines provinces ne permettent pas l'exclusion ou la limite de dommages accessoires ou indirects, par conséquent les exclusions ci-dessus peuvent ne pas s'appliquer à vous. Cette garantie vous confère des droits juridiques spécifiques, et vous pouvez également jouir d'autres droits qui peuvent varier d'une juridiction à l'autre.

Pour faire une réclamation de garantie, vérifier d'abord avec le concessionnaire où vous avez acheté le produit ou visiter www.xylem.com pour le nom et l'emplacement du concessionnaire le plus près qui offre un service de garantie.



Xylem Inc.
2881 East Bayard Street Ext., Suite A
Seneca Falls, NY 13148
Téléphone: (866) 325-4210
Télécopie: (888) 322-5877
www.gouldswatertechnology.com

Goulds est une marque déposée de Goulds Pumps, Inc. et est utilisé sous le permis.
© 2016, Xylem Inc. IM085 Révision numéro 4 Février 2016