



Definite Purpose Three-Phase Starters

BY EATON

FEATURES

- A27 Definite Purpose Three-Phase Starters by EATON
- Adjustable Overloads are Standard - XT Series, Class 10, Bi-metallic, Ambient Compensated Overload Relays - no need to order or purchase separate heaters or overloads.
- NEMA 1 Indoor Rated Enclosures are Standard, N3R enclosure available as an option.
- UL Recognized, CSA Certified, CE Listings
- 25, 30 and 40 Amp Sizes
- "Common Control" - matched power supply and coil voltages are standard
- 208-230, 460 or 575 Volt Coil and Power Voltages are standard
- Optional 115V and 24VAC Coils requiring separate power feeds are available as options.
- Run Pilot Light available as an option
- Overload Trip Pilot Light available as an option
- H-O-A, Hand-Off-Automatic Switch, available as an option
- See the new IEC Starter Bulletin for sizes not covered by these DP Starters or for additional features such as: Phase Loss Protection, Phase Unbalance and Overload Class Selection.
- Normally Open Auxiliary Contact is standard.

NOMENCLATURE

Characters	Code	Description
1 & 2	DP	Definite Purpose Starter
3 & 4	Starter FLA	25, 30, 40 Amps
5	Overload Relay	A - R
6	Power Supply Voltage	2 = 208-230V, 4 = 460 V, 5 = 575V
Option Suffixes	Option Codes	
	¹ V	115V Coil
	H	H-O-A Switch
	P	Run Pilot Light
	R	N3R Enclosure
	T	Overload Trip Light
	¹ 24A	24 VAC Coil

¹ Use one of these coil option suffixes to order a 115V or 24VAC coil on a standard 230, 460 or 575V starter.

² Standard starters have "Common Control" meaning that the coil voltage matches the power supply voltage.

Example - a DP25E2 requires a 208-230V power supply and has a matched 208-230V coil

- a DP25E2V requires a 208-230V power supply and a separate 115V coil power supply

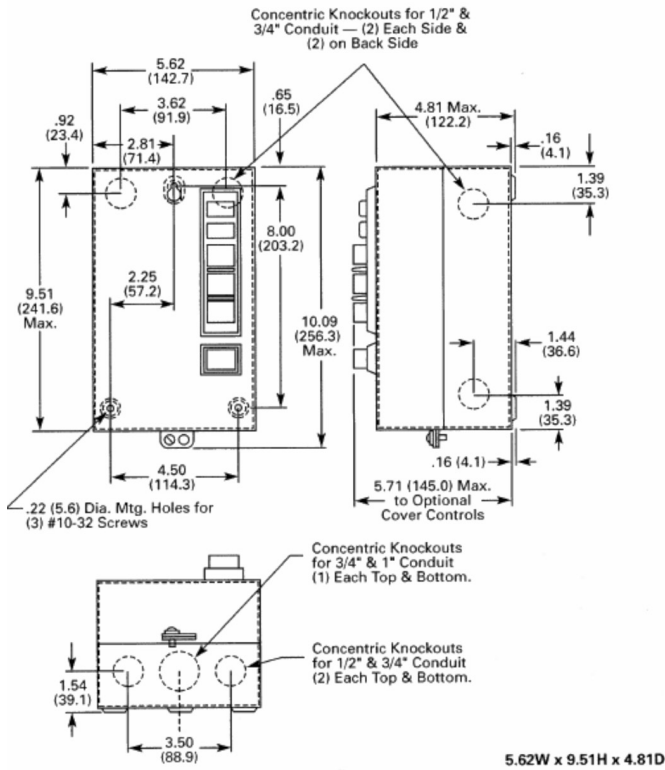
NOTE - All options except the N3R enclosure may also be ordered as separate, field installable options.

DEFINITE PURPOSE THREE PHASE STARTERS WITH ADJUSTABLE OVERLOADS

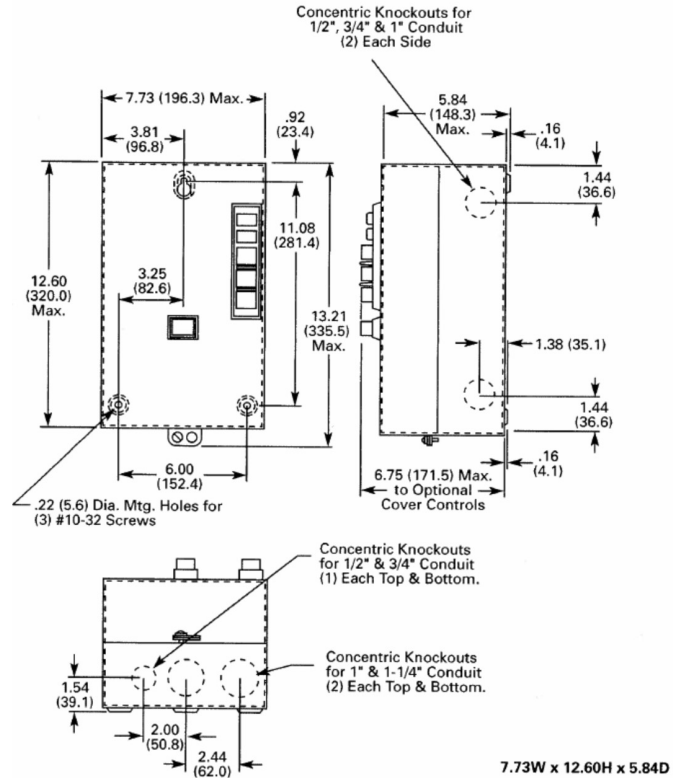
CentriPro Order Number	Xylem Style Number	Maximum Amps	Supply Voltage	Overload Relay	Overload Range	Maximum LRA	Typical HP Range
DP25D2	D1A27CGY15	25	208-230	D	1.6-2.4	150	.5 - 5
DP25E2	D1A27CGY10			E	2.4-4		
DP25F2	D1A27CGY11			F	4-6		
DP25G2	D1A27CGY12			G	6-10		
DP25H2	D1A27CGY13			H	10-16		
DP25J2	D1A27CGY14			J	16-24		
DP25C4	D1A27CGY21		C	1-1.6	125	.5 - 10	
DP25D4	D1A27CGY22		D	1.6-2.4			
DP25E4	D1A27CGY16		E	2.4-4			
DP25F4	D1A27CGY17		F	4-6			
DP25G4	D1A27CGY18		G	6-10			
DP25H4	D1A27CGY19		H	10-16			
DP25J4	D1A27CGY20		J	16-24	100	1.5 - 10	
DP25E5	D1A27CGY23		E	2.4-4			
DP25F5	D1A27CGY24		F	4-6			
DP25G5	D1A27CGY25		G	6-10			
DP25H5	D1A27CGY26		H	10-16	180	1.5 - 7.5	
DP30L2	D1A27CGY27		L	6-10			
DP30M2	D1A27CGY28	M	10-16				
DP30N2	D1A27CGY29	N	16-24				
DP30P2	D1A27CGY30	P	24-40	150	5 - 20		
DP30L4	D1A27CGY31	L	6-10				
DP30M4	D1A27CGY32	M	10-16				
DP30N4	D1A27CGY33	N	16-24				
DP30P4	D1A27CGY34	P	24-40	120	5 - 15		
DP30L5	D1A27CGY35	L	6-10				
DP30M5	D1A27CGY36	M	10-16				
DP30N5	D1A27CGY37	N	16-24	240	1.5 - 10		
DP40L2	D1A27CGY38	L	6-10				
DP40M2	D1A27CGY39	M	10-16				
DP40N2	D1A27CGY40	N	16-24				
DP40P2	D1A27CGY41	P	24-40	200	5 - 20		
DP40L4	D1A27CGY42	L	6-10				
DP40M4	D1A27CGY43	M	10-16				
DP40N4	D1A27CGY44	N	16-24				
DP40P4	D1A27CGY45	P	24-40	160	5 - 20		
DP40L5	D1A27CGY46	L	6-10				
DP40M5	D1A27CGY47	M	10-16				
DP40N5	D1A27CGY48	N	16-24				
DP40P5	D1A27CGY49	P	24-40				

DIMENSION DRAWINGS

25 & 30 Amp Models



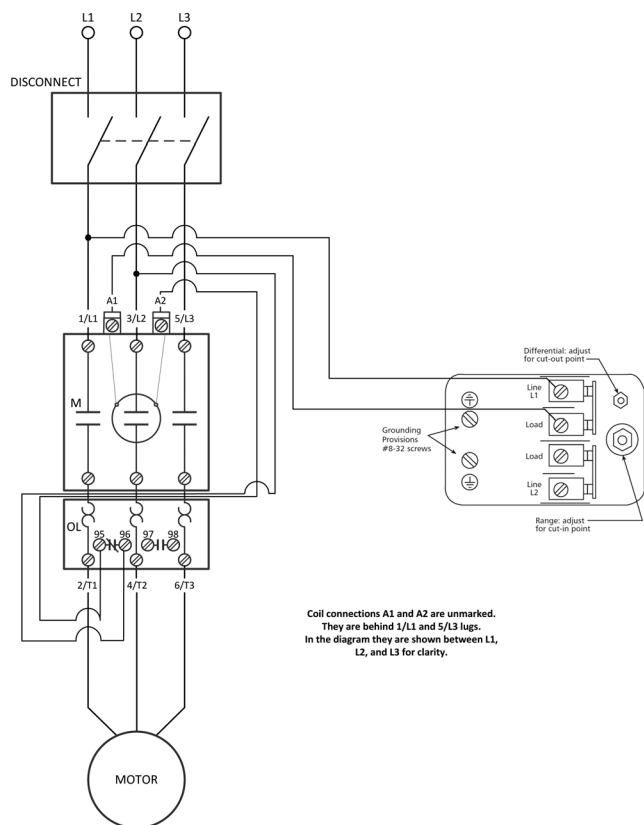
40 Amp Models



WIRING DIAGRAMS

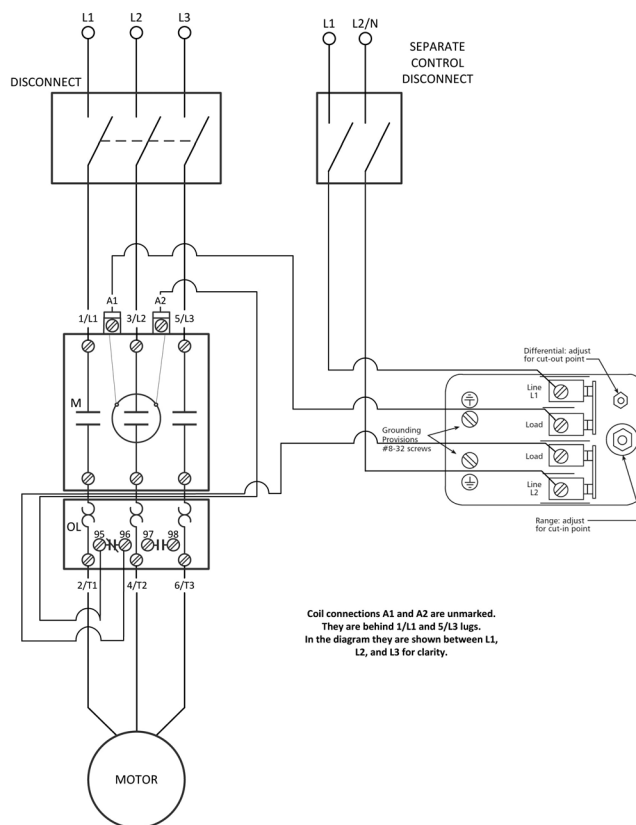
Wiring for Starter with Common Control Voltage

Ex. 230V power and 230V coil



Wiring for Starter with Different Power and Control Voltages

Ex. 460V power and 115V coil



OVERLOAD RELAYS FOR DEFINITE PURPOSE, ENCLOSED STARTERS

CentriPro Overload Relay Code	Motor Amp Range	Starter FLA	Frame Size *	Eaton Code
A	0.4 - 0.6	25	C	P60
B	0.6 - 1.0	25	C	001
C	1.0 - 1.6	25	C	1P6
D	1.6 - 2.4	25	C	2P4
E	2.4 - 4.0	25	C	004
F	4.0 - 6.0	25	C	006
G	6.0 - 10.0	25	C	010
H	10.0 - 16.0	25	C	016
J	16.0 - 24.0	25	C	024
K	24.0 - 32.0	25	C	032
L	6.0 - 10.0	30-45	D	010
M	10.0 - 16.0	30-45	D	016
N	16.0 - 24.0	30-45	D	024
P	24.0 - 40.0	30-45	D	040
R	40.0 - 57.0	30-45	D	057

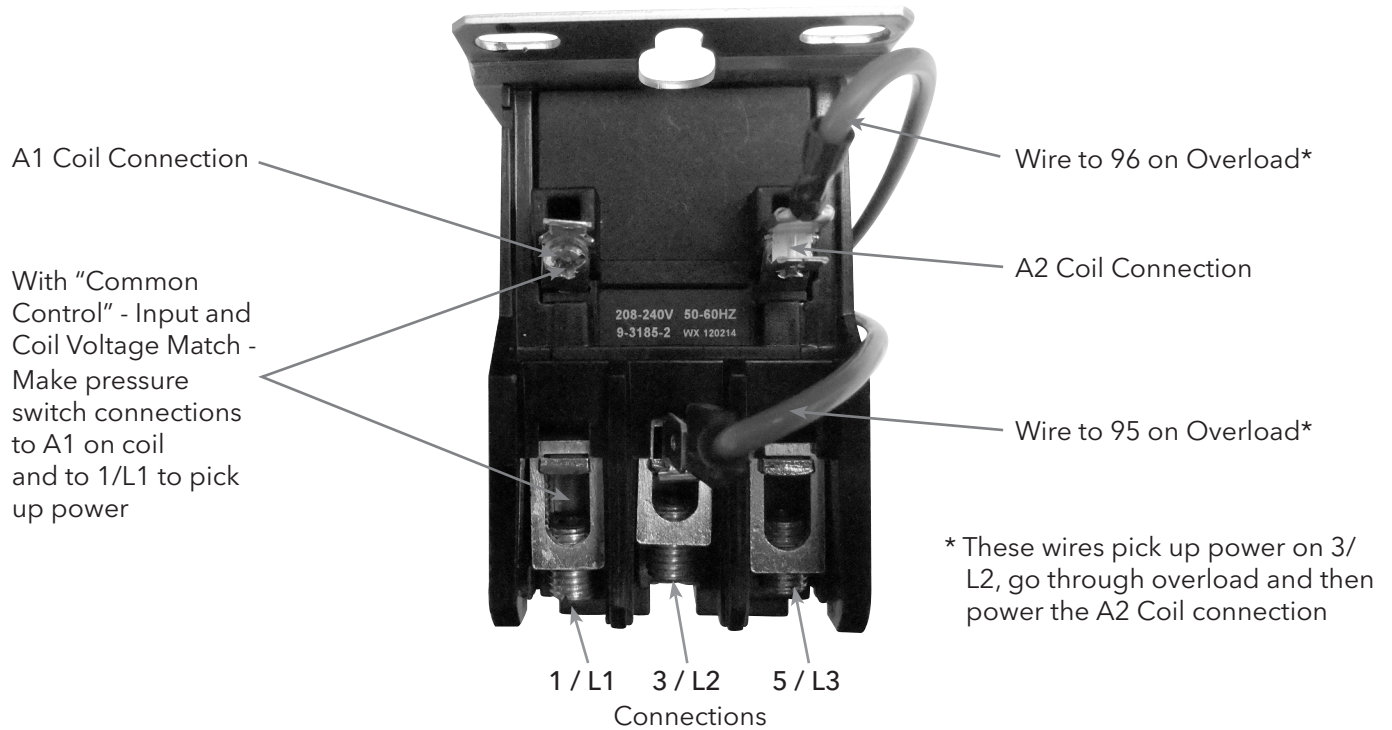
* Frame C = 25 Amp Models

* Frame D = 30 & 40 Amp Models

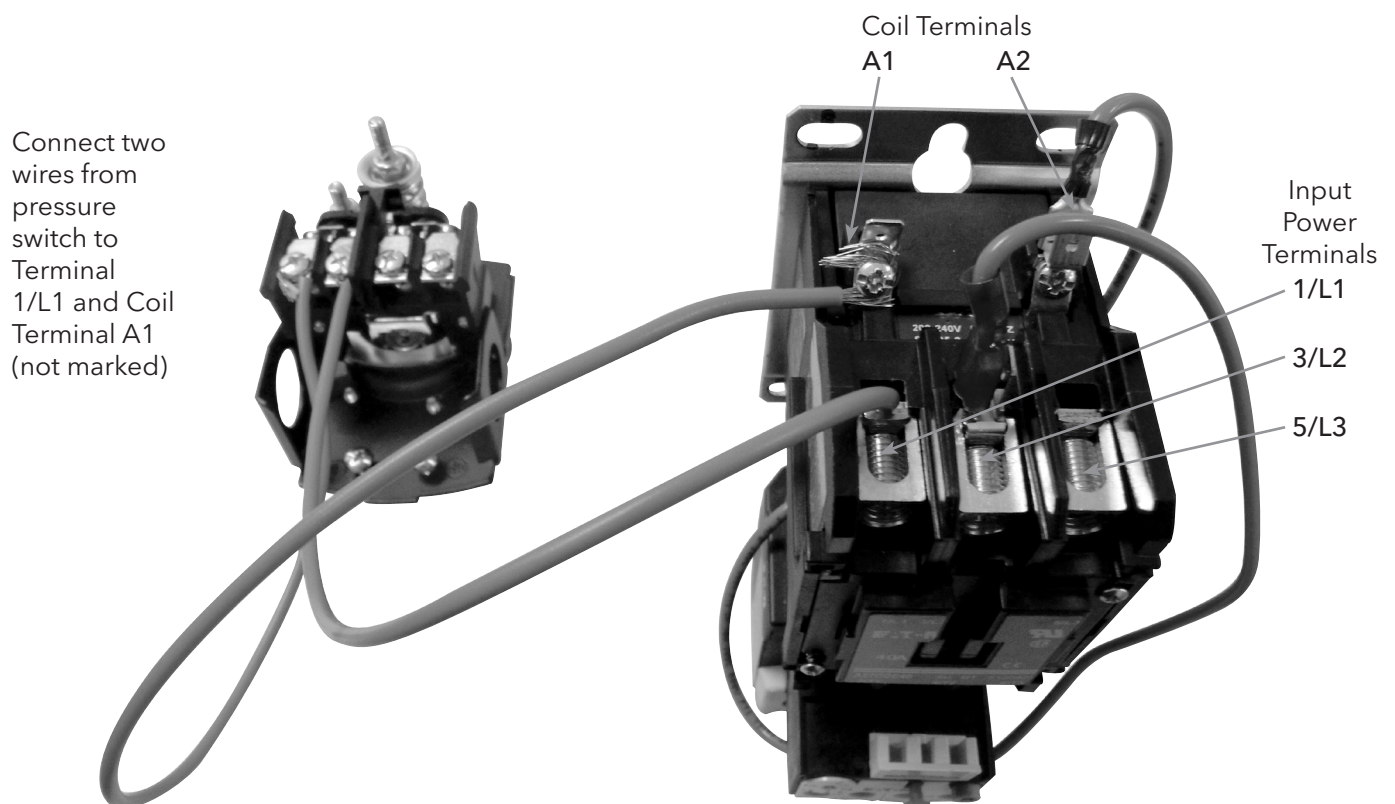
FIELD INSTALLABLE OPTIONS AND REPLACEMENT COILS FOR DP STARTERS

9K625	Hand/Off/Auto Switch Kit
9K626	Red RUN pilot light, 115V 60Hz
9K627	Red RUN pilot light, 230V 60Hz
9K628	Red RUN pilot light, 460V 60Hz
9K629	Red RUN pilot light, 575V 60HZ
9K630	Red RUN pilot light, 208V 60HZ
9K631	Green OFF pilot light, 115V 60HZ
9K632	Green OFF pilot light, 230V 60HZ
9K633	Green OFF pilot light, 460V 60HZ
9K634	Green OFF pilot light, 575V 60HZ
9K635	Green OFF pilot light, 208V 60HZ
9K636	115V Coil
9K637	208/230V Coil
9K638	460V Coil
9K639	575V Coil
9K640	24VAC Coil

DP STARTER TOP VIEW OF COIL AND 1/L1, 3/L2, 5/L3 TERMINALS



PRESSURE SWITCH CONNECTIONS FOR 230, 460 OR 575V COIL MODELS



Xylem |'zīləm|

- 1) The tissue in plants that brings water upward from the roots;
- 2) a leading global water technology company.

We're 12,900 people unified in a common purpose: creating innovative solutions to meet our world's water needs. Developing new technologies that will improve the way water is used, conserved, and re-used in the future is central to our work. We move, treat, analyze, and return water to the environment, and we help people use water efficiently, in their homes, buildings, factories and farms. In more than 150 countries, we have strong, long-standing relationships with customers who know us for our powerful combination of leading product brands and applications expertise, backed by a legacy of innovation.

For more information on how Xylem can help you, go to www.xylem.com



Xylem Inc.
2881 East Bayard Street Ext., Suite A
Seneca Falls, NY 13148
Phone: (866) 325-4210
Fax: (888) 322-5877
www.centripro.com