

PRODUCT SPECIFICATIONS

Elkay Celebrity[®] Stainless Steel 25" x 17" x 6-1/2" 2-Hole Single Bowl Drop-in Classroom ADA Sink and Faucet Kit. Sink is manufactured from 20 gauge 304 Stainless Steel with a Brushed Satin finish, Center drain placement, and Bottom only pads.

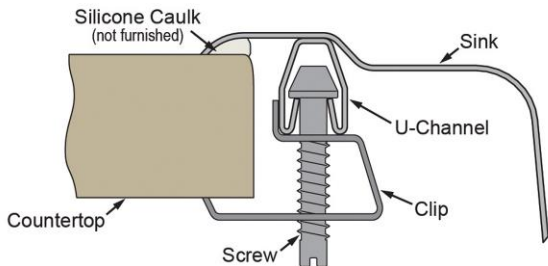
| | |
|------------------------------|------------------------------------------------------------------|
| Installation Type: | Drop-in, Sink Kits |
| Material: | 304 Stainless Steel |
| Finish: | Brushed Satin |
| Gauge: | 20 |
| Sound Deadening: | Bottom only pads |
| Number of Bowls: | 1 |
| Sink Dimensions: | 25" x 17" x 6-1/2" |
| Bowl 1 Dimensions: | 15-3/4" x 14" x 6-3/8" |
| Drain Size: | 3-1/2" (89mm) |
| Drain Location: | Center |
| Minimum Cabinet Size: | 30" |
| Mounting Hardware: | Part # 64090012 included for countertops up to 3/4" (19mm) thick |
| Template Included: | No |
| Cutout Template #: | 1000001246 |

Template is available for download at elkay.com. CAD software will be required to open the template.

Cutout Dimensions for Drop-in Installation:

24-3/8" x 16-3/8" (619mm x 416mm) with 1-1/2" (38mm) corner radius

Installation Profile:



Included with Product: LKD208513LC faucet, LK35 drain, LK1141A bubblers

A Century of Tradition and Quality.

For more than 100 years, Elkay has been making innovative products and providing exceptional customer care. We take pride in offering plumbing products that make life easier, inspire change and leave the world a better place.

Product Compliance: ADA & ICC A117.1
ASME A112.19.3/CSA B45.4
Faucet: ASME A112.18.1/CSA B125.1
CEC
NSF 372 (lead free)
NSF 61 (Q≤1)
Accessory: ASME A112.18.2/CSA B125.2



Complies with ADA & ICC A117.1 accessibility requirements when installed according to the requirements outlined in these standards.

[Clean and Care Manual \(PDF\)](#)
[Installation Instructions \(PDF\) - 1000005236](#)
[Installation Instructions \(PDF\) - 0000001000](#)
[Installation Instructions \(PDF\) - 1000005235 drain](#)
[Warranty \(PDF\)](#)

PART: _____ QTY: _____

PROJECT: _____




CONTACT: _____

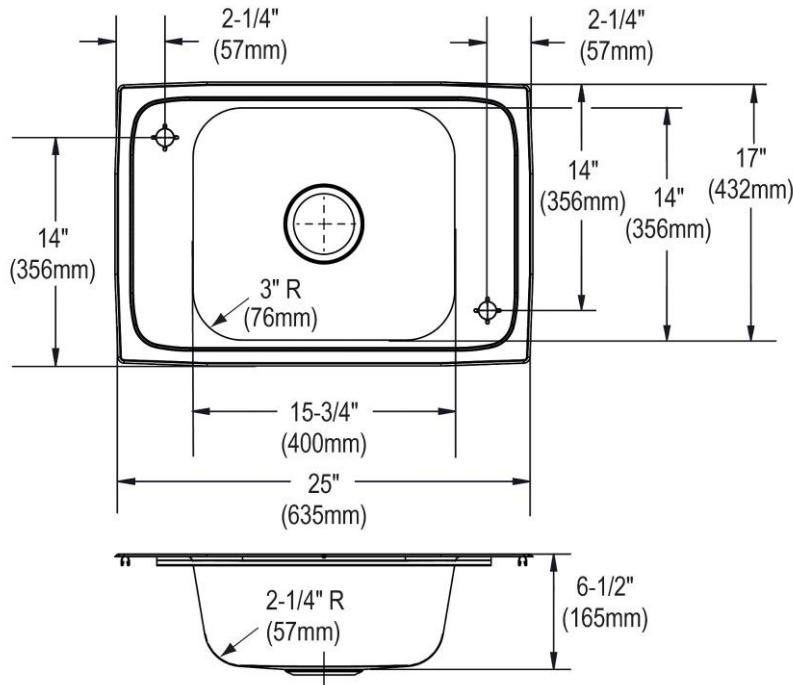
DATE: _____

NOTES: _____

APPROVAL: _____

In keeping with our policy of continuing product improvement, Elkay reserves the right to change product specifications without notice. Please visit elkay.com for the most current version of Elkay product specification sheets. This specification describes an Elkay product with design, quality, and functional benefits to the user. When making a comparison of other producers' offerings, be certain these features are not overlooked.

| Included Accessories | | |
|-----------------------------|--------------------------------------------------------------------------------------------------------------------------------------|-------------------------------------------------------------------------------------|
| LK1141A | Elkay Flexi-Guard Classroom Bubbler Spec Sheet (PDF) |  |
| LK35 | Elkay 3-1/2" Drain Fitting Type 304 Stainless Steel Body Strainer Basket and Tailpiece Spec Sheet (PDF) |  |
| LKD208513LC | Elkay Single Hole 8-5/8" Deck Mount Faucet with Gooseneck Spout Lever Handle on Left Side Chrome Spec Sheet (PDF) |  |



1-1/8" (29mm) Diameter Slotted Holes (2 Places)

In keeping with our policy of continuing product improvement, Elkay reserves the right to change product specifications without notice. Please visit elkay.com for the most current version of Elkay product specification sheets. This specification describes an Elkay product with design, quality, and functional benefits to the user. When making a comparison of other producers' offerings, be certain these features are not overlooked.