

Click here to see: Foot Valves in our Online Catalog

FLOMATIC® VALVES



New Stainless Steel Models

Foot Valves

Pumping Applications

- Threaded Model 63 & 60S6
- Flanged Model 302BT & S6
- Threaded Model 357



FLOMATIC® VALVES

High Quality Valves Built to Last...

Foot Valve Model 63

Economical foot valve designed for use in irrigation, water systems and other industrial pumping applications. This foot valve offers spring load closing and can be installed in any direction. The foot valve has extremely low headloss. The valve has female NPT threaded connection for easy installation.

Foot Valve Operation:

Floematic offer a wide range of foot valves in a size range from 3/8" through 36" in several different materials. Foot valves, Model 63, 302BT and 357 are designed to be installed on the suction side of a pump. The purpose of a foot valve is to maintain pump prime between pumping cycles. A strainer prevents debris from entering the piping system. Foot valves are designed to minimize headloss and optimize pumping efficiency.

Foot Valve Applications:

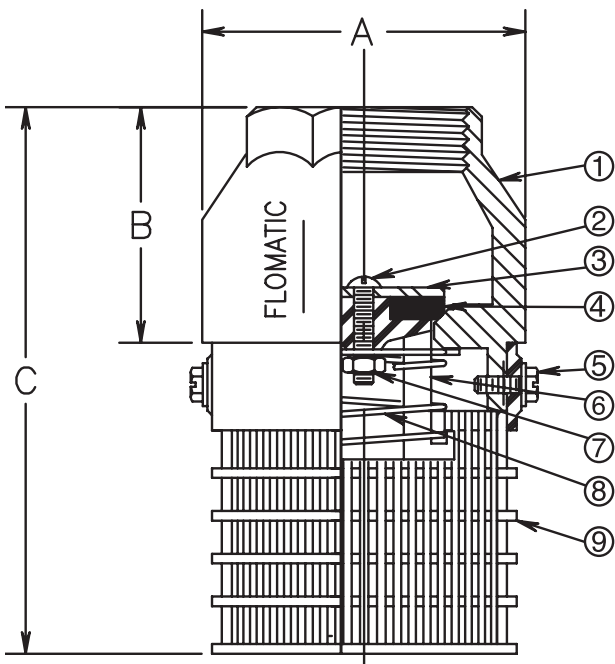
Foot valves are usually installed and positioned at the lowest point of the intake (suction) piping, below the water level, and often near the bottom of lakes, rivers storage tanks and pits.

- Municipal Water Treatment
- Rural Fire Protection
- Irrigation/Agriculture
- Industrial
- HVAC
- Car Wash Systems

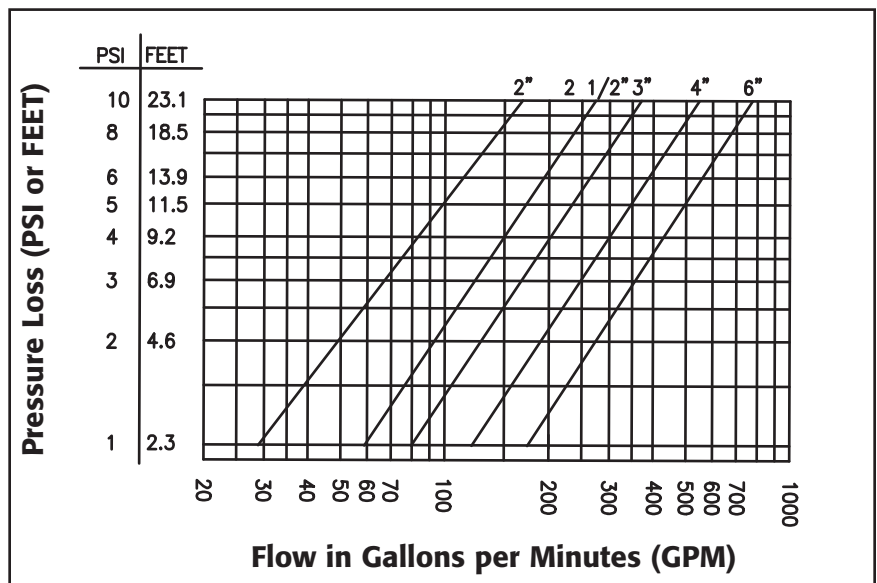
Valve Sizes and Weights

SIZE	PART NO.	"A" Width	"B" Height	"C" Height	Weight (lbs.)
2"	4764	3 ¹³ / ₃₂ "	2 ¹⁹ / ₃₂ "	6 ¹ / ₁₆ "	4
2 1/2"	4765	4 ¹¹ / ₃₂ "	2 ³ / ₄ "	6 ¹⁵ / ₁₆ "	5
3"	4766	5 1/4"	3 ³ / ₄ "	9 ⁹ / ₆₄ "	9
4"	4767	6 ³ / ₈ "	4 ²¹ / ₃₂ "	11 ¹³ / ₃₂ "	17
6"*	4789	8"	7 ²¹ / ₃₂ "	17 ¹⁵ / ₁₆ "	63

*Note: 6" Models have a different body style, see product spec sheet for details.



*Note: 2" size Delrin® and 2 1/2" size Unleaded Bronze



Material of Construction

- | | | |
|---|--------------------------|-----------------------------|
| 1 | Body (Epoxy Coated) | Cast Iron - ASTM A-216 |
| 2 | Hex Bolt | Stainless Steel - ASTM 18-8 |
| 3 | Flat Washer | Stainless Steel - ASTM 18-8 |
| 4 | Rubber Disc | Buna - N |
| 5 | Type F Screw | Plated Steel |
| 6 | Follower* (Epoxy Coated) | Ductile Iron ASTM 60-40-18 |
| 7 | Hex Nut | Stainless Steel - ASTM 18-8 |
| 8 | Spring | Stainless Steel - ASTM 302 |
| 9 | Screen | Polyethylene |

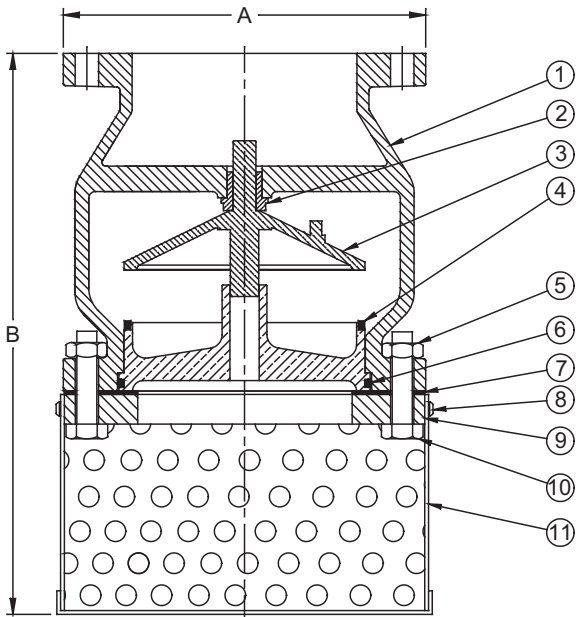
Foot Valve Model 302 BT

Designed specifically for municipal and industrial pumping applications where a heavy duty, extremely reliable valve may be required. This top quality foot valve offers field replaceable vulcanized rubber seat ring and has extremely low headloss. The foot valve has flanged connection ANSI 125.

Valve Sizes and Weights



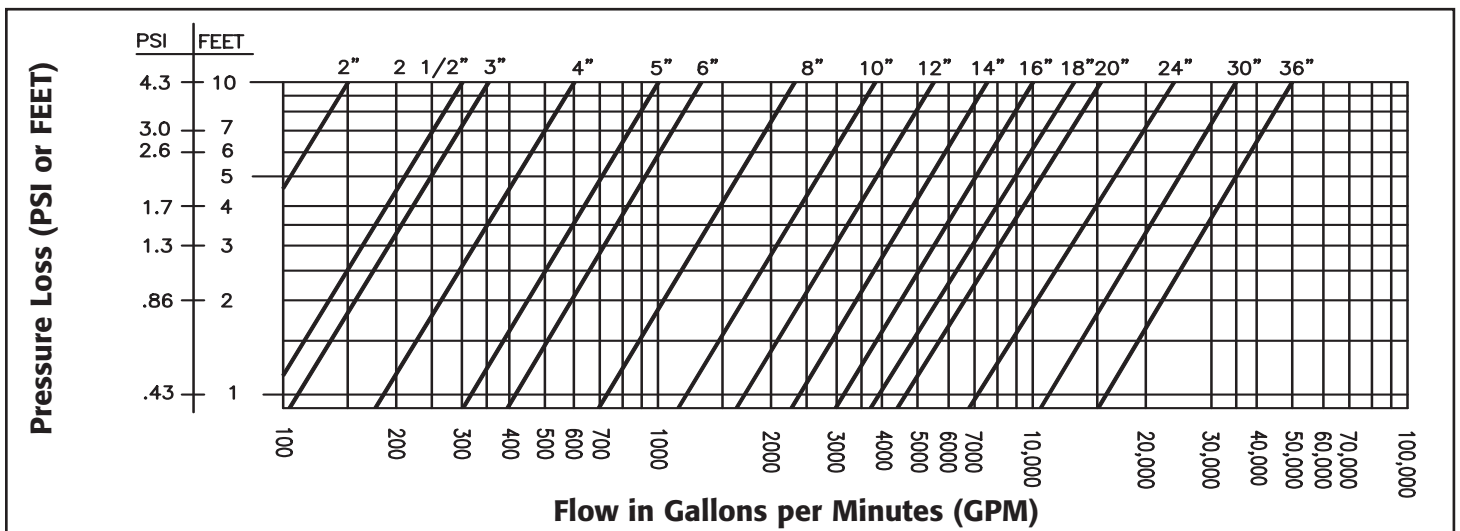
SIZE	PART NO.	"A" Width	"B" Height	Weight (lbs.)
2"	4763BT	6"	8 21/64"	23
2 1/2"	4768BT	7"	8 19/32"	30
3"	4769BT	7 1/2"	9 9/64"	37
4"	4770BT	9"	10 3/8"	63
5"	4771BT	10"	12 5/8"	80
6"	4772BT	11"	15 7/8"	100
8"	4774BT	13 1/2"	20 3/4"	160
10"	4775BT	16"	25 5/8"	260
12"	5416BT	19 1/2"	26 7/32"	410
14"	5417BT	22"	27 7/8"	500
16"	5418BT	25"	33 3/4"	650
18"	5419BT	28"	36 7/8"	850
20"	5420BT	31"	40 3/4"	1050
24"	5422BT	37"	48 1/8"	1440



Material of Construction

- | | | |
|----|--------------------------|----------------------|
| 1 | Body (Epoxy Coated) | Cast Iron - Class 30 |
| 2 | Bushing | Bronze C93200 |
| 3 | Poppet | Bronze C83600 |
| 4 | Seat Ring / with Rubber | Bronze C83600 |
| 5 | Hex Nut | Zinc Plated Steel |
| 6 | O-Ring | Buna - N |
| 7 | Gasket | Vellumoid |
| 8 | Button Head Socket Screw | Stainless Steel 304 |
| 9 | Flange | Cast Iron - Class 30 |
| 10 | Hex Head Bolt | Zinc Plated Steel |
| 11 | Strainer Basket | Stainless Steel 304 |

*Request product specifications sheet for additional dimensions and data.
Covered by Patent No. 6,024,121*



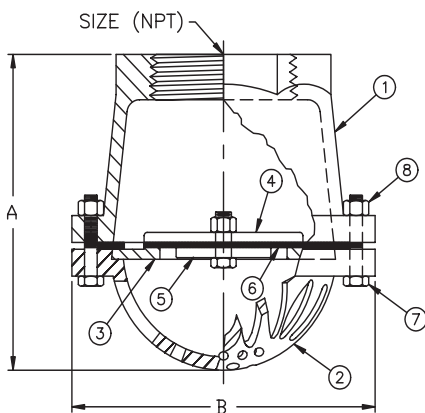
Foot Valve Model 357

Designed for use in irrigation and other pumping applications where water may be dirty due to suspended silt and sand. This foot valve offers extremely low headless. Female NPT threads for easy installation.

Valve Sizes and Weights

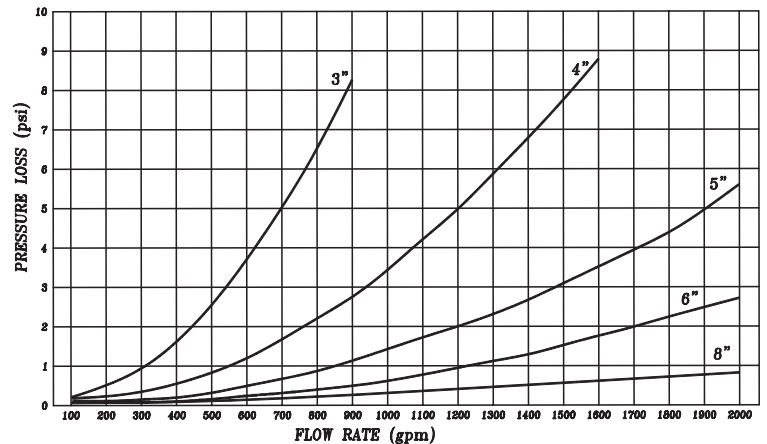
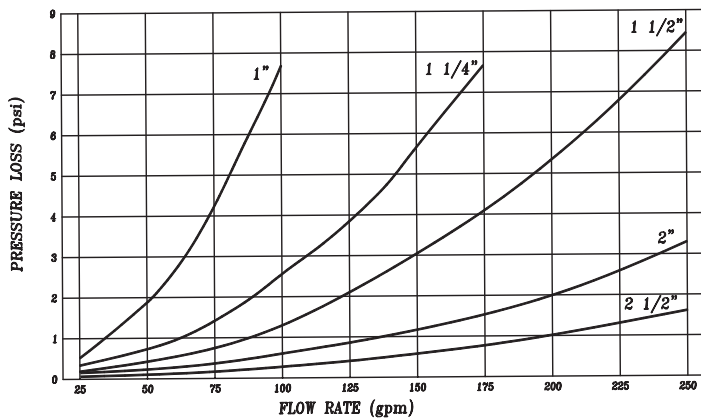


SIZE	PART NO.	"A" Height	"B" Width	Weight (lbs.)
1"	4961	3 ⁵ / ₈ "	4"	2
1 1/4"	4962	4 1/8"	4 ⁷ / ₈ "	3
1 1/2"	4963	4 1/8"	4 ⁷ / ₈ "	3
2"	4964	5 1/8"	5 ⁷ / ₈ "	6
3"	4966	7 1/8"	7 1/2"	13
4"	4967	9"	9"	20
5"	4968	10 1/2"	10 ³ / ₈ "	28
6"	4969	12"	11 ³ / ₈ "	45
8"	4970	15 11/16"	15 1/8"	99



Material of Construction

1	Body (Epoxy Coated)	Cast Iron - ASTM A-48
2	Strainer (Epoxy Coated)	Cast Iron - ASTM A-48
3	Seat	Cast Iron - ASTM A48
4	Weight	Cast Iron - ASTM A-48
5	Weight	Cast Iron - ASTM A-48
6	Seal	Leather
7	Bolt	Zinc Plated
8	Nut	Zinc Plated



Other Flomatic Foot Valves



Model 812XTF
Size range: 1/2" - 8"
All 316 stainless steel construction. Threaded connection. Metal to metal seating ring and Teflon O-Ring seal.



Model 812XFF
Size range: 1/2" - 8"
All 316 stainless steel construction. Threaded connection. Metal to metal seating and Teflon O-Ring seal.



Model 80S6F
Size range: 1" - 8"
All 316 stainless steel construction. Threaded connection. Stainless steel poppet with VITON seating.



Model 60SE
Size range: 1/2" - 4"
Unleaded body with threaded female NPT connection. Feature a Nitrile seat (Buna N)



Model 190D
Size range: 3/8" - 2"
Acetal body and strainer Nylon poppet with Nitrile seat (Buna N)



Model 104PS
Size range: 1" & 1 1/4"
Features rugged high strength Noryl valve body with tapered Stainless steel Nitrile (BunaN) Seal.