



FEATURES:

Sizes: 3/8" 1/2" 3/4" 1" 1 1/4" 1 1/2"

Body Pressure rating 200 psi (14 bar)
 Max Work Pressure 125 psi (9 bar)
 Temperature rating 180°F (82°C)
 End connection* ANSI/ASME B1.20.1

STANDARDS COMPLIANCE:

Complies with
NSF/ANSI 372
NSF/ANSI/CAN 61

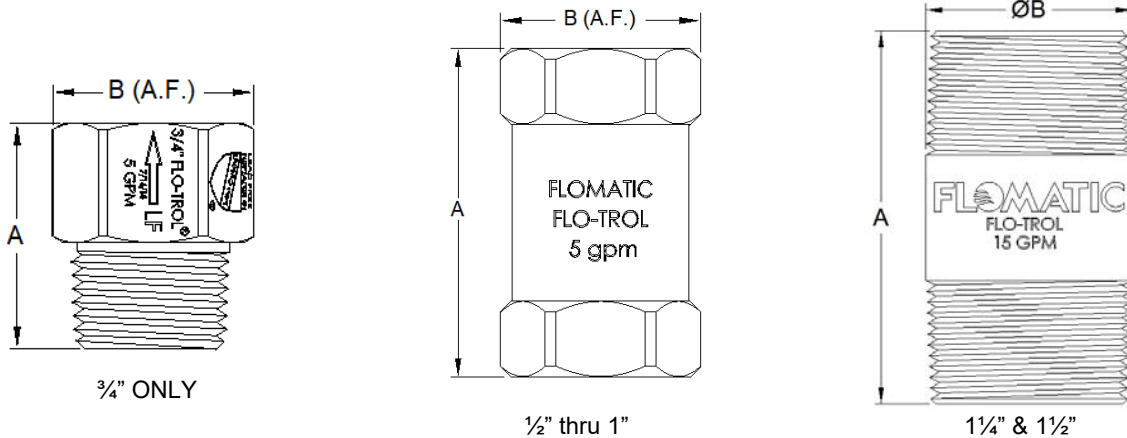
MATERIALS:

Body* 304 Stainless Steel
 Seat NSF 61 Approved Buna

APPLICATION:

Flo-Trol® automatic flow control valves are designed to give constant flow over a wide pressure range. The internal controlling mechanism has no moving parts, consisting only of a flexible orifice that varies with applied pressure maintaining a constant flow rate. Flow rates are +/- 15% between 15 and 125 psi (1 to 6 bar). Valve bodies are stainless steel, date coded and laser engraved. No chrome or nickel-plated brass.

Recommended Max. Pump setting			
▶ STRENGTH OF FLO-TROL® VALVES TO SUPPORT WEIGHT IN A VERTICAL WELL INSTALLATION			
Valve Series	CDX	CDP	CDT
Valve Size	1"	1-1/4"	1-1/2"
Max Setting (feet)	1200	1000	1250



Size		Series	A		B		Flow Range	Weight	
Inch	mm		Inch	mm	Inch	mm		lbs	kg
3/8	10	CDA	1-3/4	45	7/8	22	.25 – 1.0	.19	.09
1/2	15	CDB	2	50	1	25	1.0 – 6.0	.22	.10
3/4	20	CDC	2-9/32	58	1-1/4	32	1.0 – 11.5	.40	.18
3/4	20	CDY	1-9/16	40	1-1/8	32	1.0 – 11.5	.40	.18
1	25	CDX	2-3/4	70	1-1/2	38	1.0 - 30	.80	.36
1 1/4	32	CDP	3	76	1-11/16	42	1.0 - 30	.75	.34
1 1/2	40	CDT	3	76	1-15/16	49	9.0 - 30	1.05	.48

* CDY is Male NPT inlet x Female NPT outlet
 ** Current CDC and CDX bodies are 316 Stainless Steel

WARRANTY: Flomatic valves are guaranteed against defects of materials or workmanship when used for the services recommended. If in any recommended service, a defect develops due to material or workmanship, and the device is returned, freight prepaid, to Flomatic Corporation within 12 months from the date of purchase, it will be repaired or replaced free of charge. Flomatic Corporations' liability shall be limited to our agreement to repair or replace the valve only.