

Flow Control Valve

Sizes 1" / 25 mm

Flo-Trol®

Model CD900

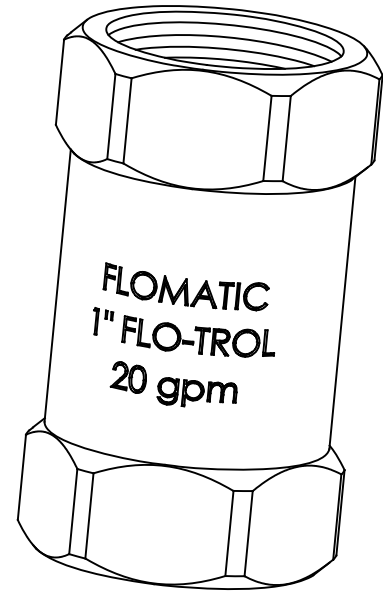
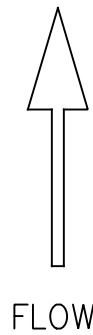
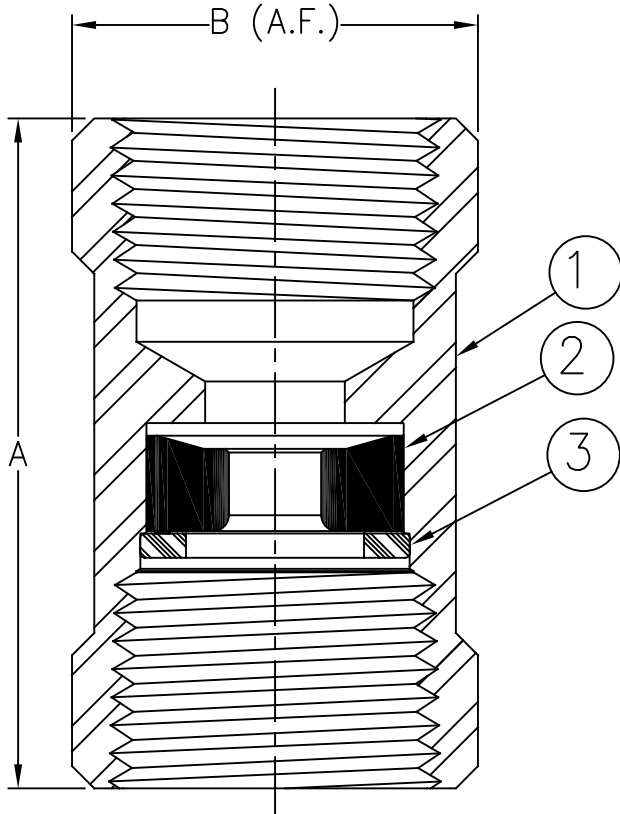


Flomatic Corporation

LEAD FREE
NSF/ANSI 61



Materials



Max Temp 180°F (82°C)
Max Pressure 125psi (8.6 bar)

| Item # | Qty | Description | Material | ASTM |
|--------|-----|----------------|-----------------|--------|
| 1 | 1 | Body | Stainless Steel | 316 |
| 2 | 1 | Orifice | Buna-N | NSF 61 |
| 3 | 1 | Retaining Ring | Celcon | M90 |

Dimensions (F x F NPT)

| Size | | Part # | Flow gpm | A | | B | | Weight | |
|------|----|--------|----------|-------|----|-------|----|--------|-----|
| inch | mm | | | inch | mm | inch | mm | lbs | kg |
| 1 | 25 | CDX9.0 | 9 | 2-3/4 | 70 | 1-1/2 | 38 | .65 | .29 |
| 1 | 25 | CDX10 | 10 | 2-3/4 | 70 | 1-1/2 | 38 | .65 | .29 |
| 1 | 25 | CDX12 | 12 | 2-3/4 | 70 | 1-1/2 | 38 | .65 | .29 |
| 1 | 25 | CDX15 | 15 | 2-3/4 | 70 | 1-1/2 | 38 | .65 | .29 |
| 1 | 25 | CDX17 | 17 | 2-3/4 | 70 | 1-1/2 | 38 | .65 | .29 |
| 1 | 25 | CDX20 | 20 | 2-3/4 | 70 | 1-1/2 | 38 | .65 | .29 |
| 1 | 25 | CDX25 | 25 | 2-3/4 | 70 | 1-1/2 | 38 | .65 | .29 |
| 1 | 25 | CDX30 | 30 | 2-3/4 | 70 | 1-1/2 | 38 | .65 | .29 |

Flow gmp is +/- 15%

Flomatic Corporation can accept no responsibility for possible errors in catalogues, brochures and other printed material. Flomatic Corporation reserves the right to alter its products without notices. This also applies to product already agreed. All trademarks in this material are property of the respective companies. All right reserved. ©2019 Flomatic Corporation. The drawings & information on this drawing sheet are the sole & exclusive property of Flomatic Corporation. Any reproduction, distribution, display or use of these drawings or information in whole or in part without written authorization of Flomatic Corporation is strictly prohibited. www.flomatic.com



February 9, 2017
Dwg No: SCDX9-20 Rev: C (12/19)

FLOMATIC CORPORATION
GLENS FALLS, N.Y. 12801
PHONE (518) 761-9797
FAX (518) 761-9798