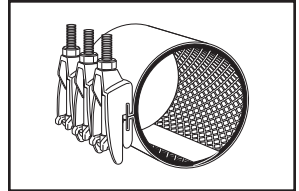


# SUBMITTAL INFORMATION

## Repair Clamps - (F1-xxx-length-E3 style)



### 2" TO 4" STAINLESS STEEL REPAIR CLAMPS WITH EPOXY-COATED DUCTILE IRON LUGS

**Optional Stainless Taps**

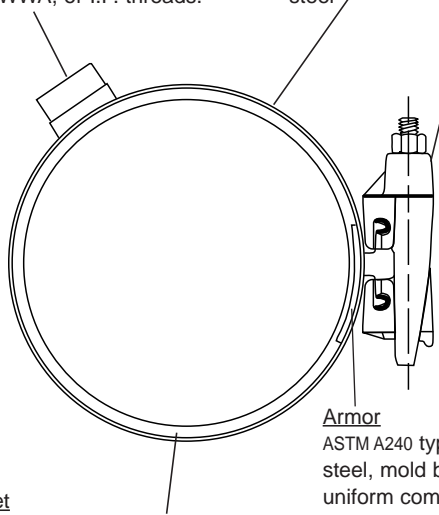
ASTM A240 type 304 stainless steel TIG welded to band. Available with AWWA, or I.P. threads.

**Band**

ASTM A240 type 304 stainless steel

**Lugs**

Ductile Iron per ASTM A536  
Finish: Epoxy applied via the e-coat process

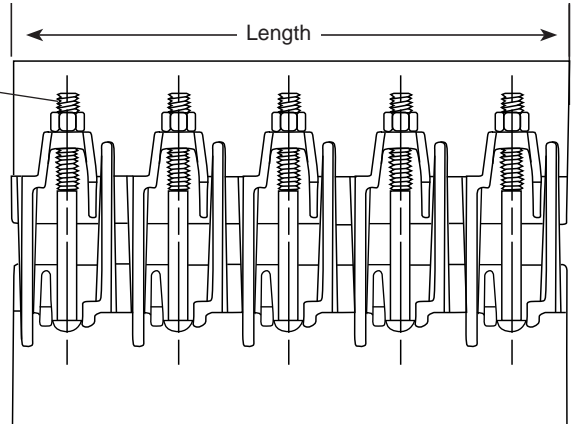


**Nuts and Bolts**

Low alloy steel per ASTM A242 and AWWA C111/A21.11

**Optional**

304 Stainless Steel Bolts and Nuts



**Armor**

ASTM A240 type 304 heavy gauge stainless steel, mold bonded into the gasket to insure uniform compression against the pipe

**Gasket**

Gridded Virgin SBR compounded for water service, per ASTM D2000. Buna-N, Nitrile, is available as optional material.

**OUTLET THREAD TAP CODE**

CC (AWWA) Thread			IP Thread		
THREAD	CODE NUMBER	MIN. CLAMP SZ.	THREAD	CODE NUMBER	MIN. CLAMP SZ.
3/4" CC	-CC3	2.63	3/4" IP	-IP3	2.63
1" CC	-CC4	2.63	1" IP	-IP4	2.63
1-1/4" CC	-CC5	3.70	1-1/4" IP	-IP5	3.70
1-1/2" CC	-CC6	4.25	1-1/2" IP	-IP6	3.70
2" CC	-CC7	4.73	2" IP	-IP7	4.25

NOM. PIPE SIZE	PIPE O.D. RANGE	LENGTH AND APPROXIMATE WEIGHT (LBS.)						BOLT SIZE	BAND THICKNESS	CATALOG NUMBER F1-XXX-LENGTH-E3	✓ SUBMITTED ITEM(S)
		7.5"	10"	12.5"	15"	20"	30"				
2"	2.35 - 2.63	7	9	12	14	n/a	n/a	5/8" x 6-1/2"	24 GA.	F1-263-	
2-1/4" - 2-1/2"	2.70 - 3.00	7	10	12	14	n/a	n/a			F1-300-	
	2.97 - 3.25	8	10	12	14	n/a	n/a			F1-325-	
3.46 - 3.70	F1-370-										
3" - 4"	3.73 - 4.00	8	11	13	15	n/a	n/a			F1-400-	
	3.96 - 4.25									F1-425-	
4"	4.45 - 4.73	11	15	18	22	29	44		F1-473-		
	4.74 - 5.14								F1-514-		
	4.95 - 5.35								F1-535-		
Number of Bolts		3	4	5	6	8	12			F1-562-	

**FEATURES**

- Drop-in bolt design allows bolts to remain attached - no loose parts to lose in the ditch.
- Also available in two- and three- section clamps for a wider range of pipe sizes and tolerances.
- Optional Outlet Taps are available for repair of service line pull-outs. Add tapping code to catalog number.
- All welds are fully passivated to restore corrosion resistant characteristics of stainless steel.
- Removable Lugs, epoxy coated via the e-coat process
- UL Classified to ANSI/NSF Standard 61

The Ford Meter Box Company considers the information in this submittal form to be correct at the time of publication. Item and option availability, including specifications, are subject to change without notice. Please verify that your product information is current.



**The Ford Meter Box Company, Inc.**

P.O. Box 443, Wabash, Indiana U.S.A. 46992-0443

Phone: 260-563-3171 / Fax: 800-826-3487

Overseas Fax: 260-563-0167

http://www.fordmeterbox.com

08/01/12

Submitted By: