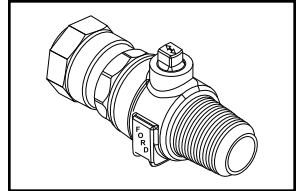
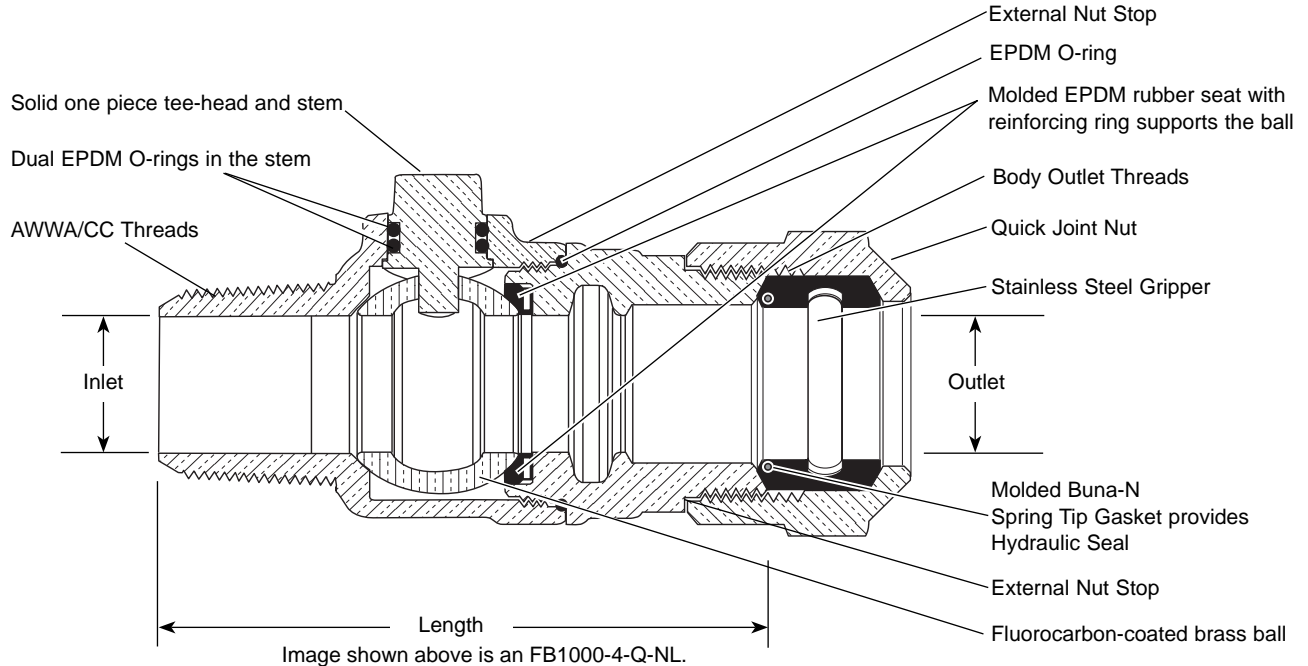


SUBMITTAL INFORMATION

Ballcorp Corporation Stops - (FB1000-xx-Q-NL style)



AWWA/CC TAPER THREAD INLET BY QUICK JOINT FOR COPPER OR PLASTIC TUBING (CTS) OUTLET



VALVE SIZE	INLET SIZE	OUTLET SIZE	VALVE LENGTH	BODY OUTLET THREADS	APPROX. WT. LBS	PART NUMBER	✓ SUBMITTED ITEM(S)
3/4"	3/4"	3/4"	4-19/64"	3/4" Flare Copper	1.6	FB1000-3-Q-NL	
1"	1"	1"	4-31/64"	1" Flare Copper	2.6	FB1000-4-Q-NL	
1"	1"	1-1/4"	4-5/16"	1-1/4" Special Thread	3.4	*FB1000-45-Q-NL	
1-1/4"	1-1/4"	1-1/4"	5-21/32"	1-1/4" Special Thread	4.3	*FB1000-5-Q-NL	
1-1/2"	1-1/2"	1-1/2"	5-45/64"	1-1/2" Special Thread	5.4	FB1000-6-Q-NL	
2"	2"	2"	7-1/16"	2" Special Thread	8.2	FB1000-7-Q-NL	

Note: Ford recommends using insert stiffeners with plastic pipe or tubing.

* 1-1/4" Quick Joint has EPDM spring tip gasket.

FEATURES

- All brass that comes in contact with potable water conforms to AWWA Standard C800 (ASTM B584, UNS C89833)
- The product has the letters "NL" cast into the main body for lead-free identification
- Certified to NSF/ANSI Standard 61 and NSF/ANSI Standard 372 where applicable
- Brass components that do not come in contact with potable water conform to AWWA Standard C800 (ASTM B62 and ASTM B584, UNS C83600, 85-5-5-5)
- Ends are integral or secured with adhesive to prevent unintentional disassembly
- 300 PSI working pressure

The Ford Meter Box Company considers the information in this submittal form to be correct at the time of publication. Item and option availability, including specifications, are subject to change without notice. Please verify that your product information is current.



The Ford Meter Box Company, Inc.

P.O. Box 443, Wabash, Indiana U.S.A. 46992-0443

Phone: 260-563-3171 / Fax: 800-826-3487

Overseas Fax: 260-563-0167

www.fordmeterbox.com

03/30/16

Submitted By: