



GE APPLIANCES

DUCTLESS HEAT PUMP SYSTEM STANDARD HIGHWALL

09K

SUBMITTAL

Job Name: _____

Purchaser: _____

Submitted To: _____

Construction: _____

Reference: _____

Approval: _____

Date: _____

Submitted By: _____

Unit: _____

Drawing #: _____

GS09WB2BEA



Indoor Accessories

Remote Controller (Included)	WJ26X35395
Wired Controller	GACT17B
Refrigerant Detection Sensor (RDS)	UALS01A

Specifications

Cooling	Rated Cooling Capacity Btu/hr	9,000
	Rated Heating Capacity Btu/hr	10,000
Heating	Voltage, Cycle, Phase V/Hz/Phase	208-230/60/1
	Operating Voltage Range	187-253 VAC
Power	Fan Speed Stages	5 + Auto
	Airflow CFM: Cooling (Turbo/High/Med/Low/Quiet)	360/290/260/230/210
	Motor Speed RPM: Cooling (Turbo/High/Med/Low/Quiet)	1250/1050/950/850/750
	Indoor Sound Level dB: Cooling (Turbo/High/Med/Low/Quiet)	44/38/35/32/27
	Airflow CFM: Heating (Turbo/High/Med/Low/Quiet)	350/290/250/220/200
	Motor Speed RPM: Heating (Turbo/High/Med/Low/Quiet)	1200/1020/895/770/700
	Indoor Sound Level dB: Heating (Turbo/High/Med/Low/Quiet)	42/36/32/28/26
	Auto Up-Down Louver	Yes
	Auto Left-Right Louver	No
	Dimension: H x W x D in (mm)	11 7/8 x 34 1/4 x 7 3/4 (301 x 870 x 196)
Weight (Net/Ship)- lbs (kg)	21.84/26.92 (9.9/12.2)	
Drain Pipe Size O.D in	5/8	
WiFi*	Built-in	
Factory-Installed Refrigerant Detection Sensor (RDS)	No	
Refrigerant Detection Sensor (RDS) Compatible	Yes	
Refrigerant Line	Liquid O.D. in	1/4
	Suction O.D. in	3/8

*WiFi includes SmartHQ™ Home and SmartHQ™ Service compatibility.

For more information visit us:

GEAppliancesAirAndWater.com

©Copyright 2025 GE Appliances, a Haier Company. GE is a trademark of the General Electric Company. Manufactured under trademark license. GE Appliances has a policy of continuous improvement of its products and reserves the right to change materials and specifications without notice.



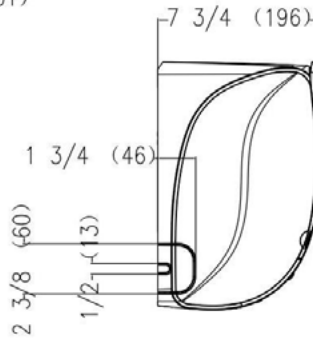
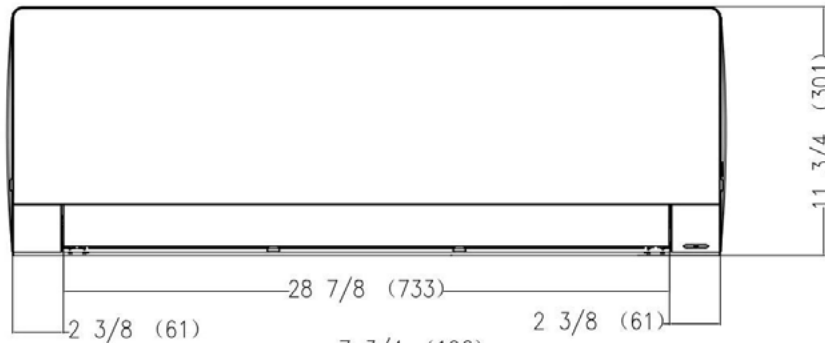
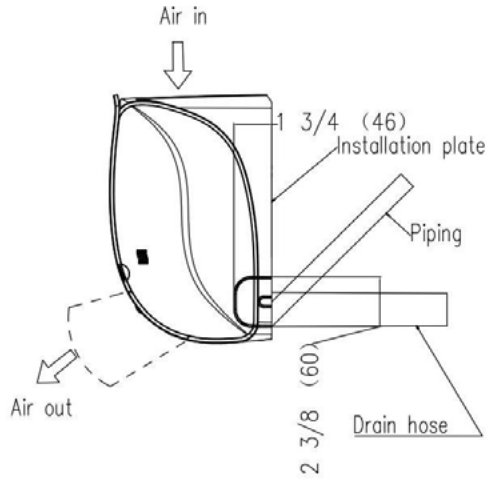
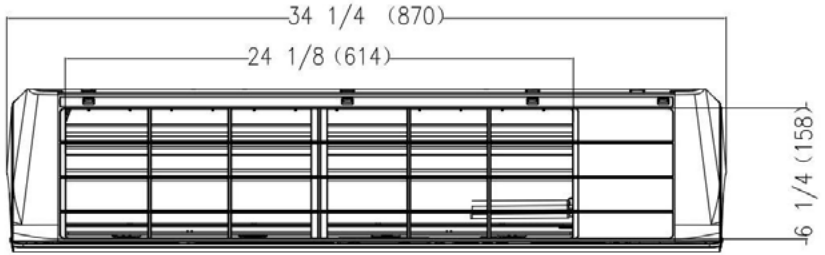


GE APPLIANCES

DUCTLESS HEAT PUMP SYSTEM STANDARD HIGHWALL

09K

GS09WB2BEA



Note: Dimensions are shown in inches (millimeters)

SUBMITTAL REVISION HISTORY

03-31-25: Submittal release.

For more information visit us:

GEAppliancesAirAndWater.com

©Copyright 2025 GE Appliances, a Haier Company. GE is a trademark of the General Electric Company. Manufactured under trademark license. GE Appliances has a policy of continuous improvement of its products and reserves the right to change materials and specifications without notice.

