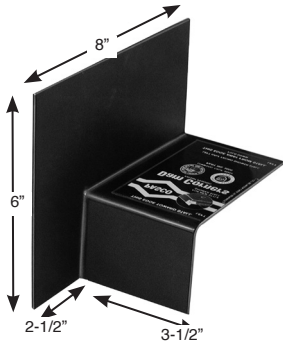


This type of installation will probably never exist. It is to illustrate all the corner applications.

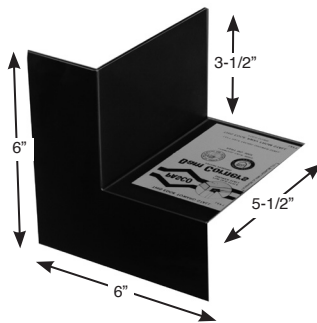
## PRE-FAB CORNERS

# 3000



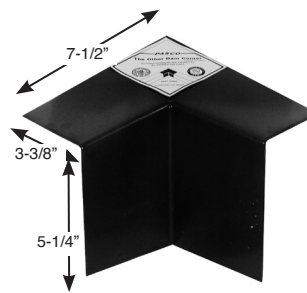
**Flush Dam Corner**  
Use where a flat wall or stall backing board meets a dam at a 90° angle.

# 3002



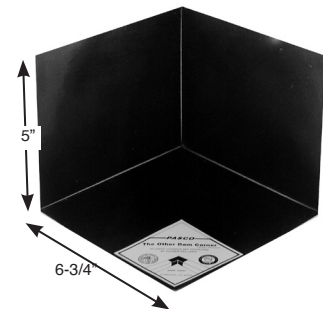
**Return Dam Corner**  
Use where wrap-around protection is necessary.

# 3003



**Top Dam Corner**  
Use where a wide 90° top corner of a two dam stall or roman tub meet.

# 3005



**Inside Corner**  
For deep tubs. Prevents folded pan buildup in corners.