



Strap Wrenches

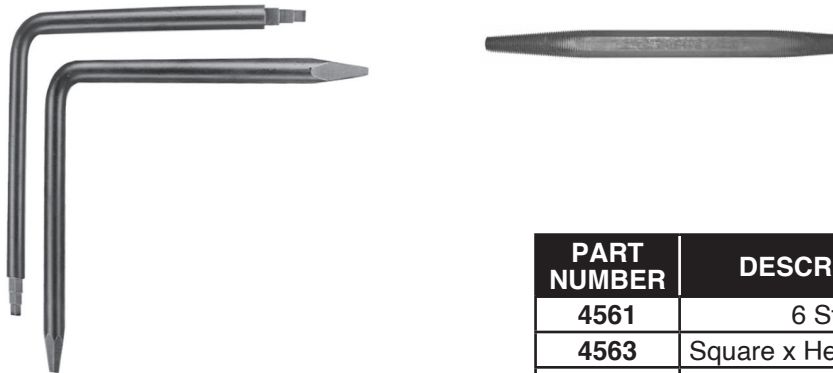
- Ideal for chrome pipe nipples
- Will not mar chrome, fittings & nipples



PART NUMBER	SIZE
4542	7"
4543	11"

Bibb Seat Tools

- For all faucet seats
- Cadmium plated
- Heat treated



PART NUMBER	DESCRIPTION
4561	6 Step
4563	Square x Hex x Straight
4564	Tapered

Bibb Seat Tool Set

SET INCLUDES:

- 1- 3/8" x 7/16" ratcheting box wrench
- 1- Small hex-large hex-tapered
- 1- Small square-large square-tapered
- 1- Small square-large square-straight
- Handy clear poly storage tube



Packed in a sturdy, sealable plastic case.

PART NUMBER
4568