



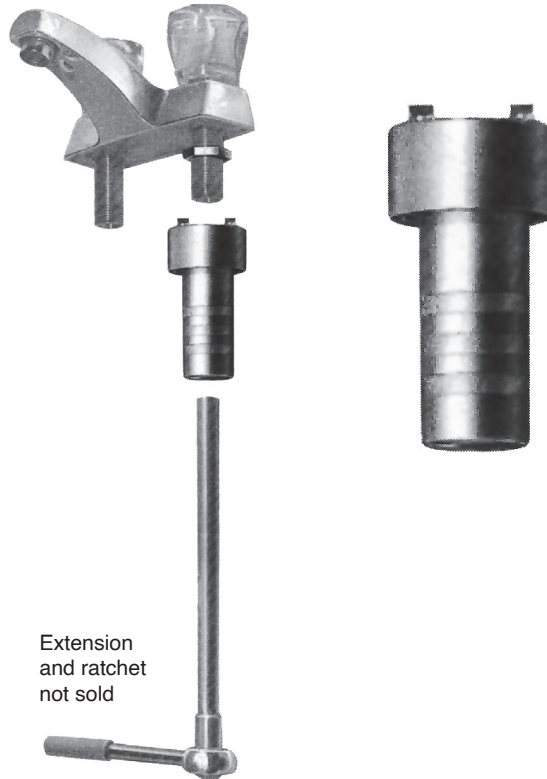
Quick Nutcracker

Quickly removes corroded 1/2" zinc locknuts from faucet shanks.

- Heat treated cutter blades
- Ball thrust bearings
- Durable black oxide finish
- Will work on faucet shanks with only three threads showing

For use on:

- 1/2" Shank single basin faucet
- 1/2" Shank centerset faucet
- 1/2" Shank kitchen faucets



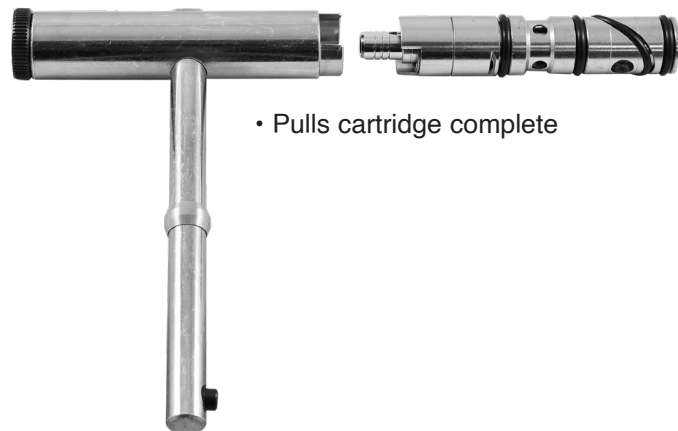
Extension and ratchet not sold

PART NUMBER
7000

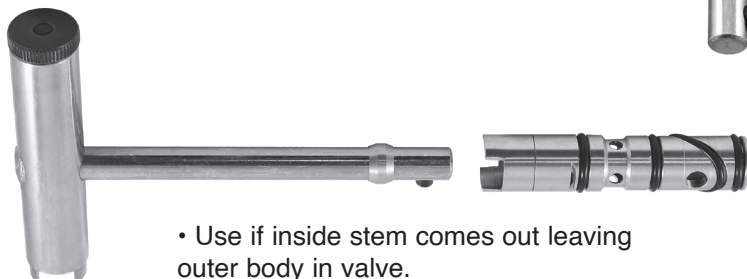
Moen® Stem and Cartridge Puller - The Original - 2-in-1 Tool

Removes Moen® stems and Moen® cartridges from faucets and shower valves. Also removes the Posi-Temp® tub/shower cartridge.

- Removes brass cartridges
- Removes outer body of stems
- Removes plastic stems & cartridges
- Precision made
- High quality steel components
- One piece construction
- Easy to use



- Pulls cartridge complete



- Use if inside stem comes out leaving outer body in valve.

PART NUMBER
7040