



The new degree of comfort.®

Rheem® Builder Class Residential Hybrid Electric Water Heater

Designed for Builders to Maximize Energy Design Rating / HERS Rating

Product Highlights

- 3.50 - 3.70 UEF
- Meets NEEA Tier 3 Requirements
- 10 Year Limited Tank & Parts Warranty¹
- Grid-Enabled for Utility-Level Performance Monitoring
- Quiet Operation
- Low Lead Compliant



FEATURES & BENEFITS	
High Efficiency	Meets ENERGY STAR® requirements
	Increased property value for consumers
Easy Installation	Easily Ducted – for installation in smaller spaces with minimal make up air required
	Easy access to side water connection and top electrical junction box; <i>Zero to minimal clearance required in the back or side of the unit</i>
	¾" NPT water inlet & outlet; ¾" condensate drain connections
	Dry fire protection
Available EcoNet® Smart Technology	WiFi connected for mobile access ²
	Energy usage reporting
	Grid interactive for utility demand response / load management programs

**Hybrid Electric
Builder Class**
50, 65 and 80-Gallon Capacities
208-240 Volt / 1 PH / 24 Amps



LEED Points = 3

DESCRIPTION					ENERGY INFO.		FEATURES				TANK DIMENSIONS					
NOMINAL GALLON CAPACITY	RATED GALLON CAPACITY	MODEL NUMBER	MODEL VARIANT	ELECTRIC BREAKER SIZE	UNIFORM ENERGY FACTOR (UEF)	ESTIMATED YEARLY ENERGY COST	COMPRESSOR BTU/H	SOUND LEVEL (dBA)	UEF FIRST HR. RATING G.P.H.	RECOVERY IN G.P.H 90° F RISE	HEIGHT	DIAM.	HT. TO COLD INLET & DRAIN VALVE	HT. TO HOT OUTLET & T&P	UNIT WT. (LBS.)	APPROX. SHIP WT. (LBS.)
50	45	PROH50 T2RH350BM	697710	30	3.50	\$111	4200	53	67	29	61"	22-1/4"	3-5/8"	39-5/8"	178	218
65	59	PROH65 T2RH350BM	697727	30	3.70	\$161	4200	53	75	29	64"	24-1/4"	3-7/8"	42-3/8"	225	262
80	72	PROH80 T2RH350BM	697734	30	3.70	\$161	4200	53	89	29	74"	24-1/4"	3-7/8"	52-3/8"	244	281

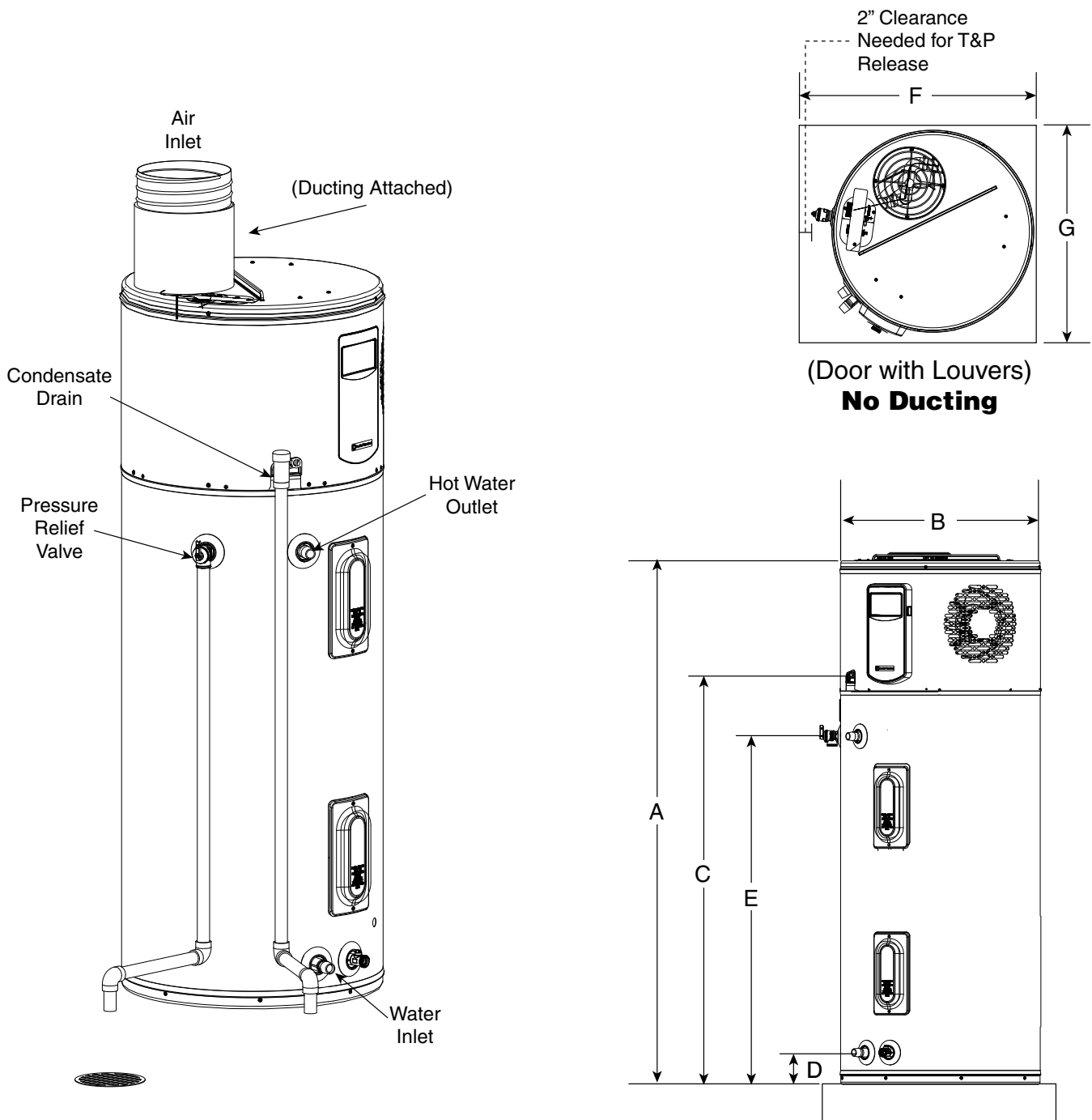
Estimated energy cost based on a national average electricity cost of 12.00 /kWh. Uniform Energy Factor and rated gallon capacity based on Department of Energy (DOE) requirements. Units meet or exceed ANSI requirements and have been tested according to D.O.E. procedures. Units meet or exceed the energy efficiency requirements of NAECA, ASHRAE standard 90, ICC Code and all state energy efficiency performance criteria.

¹ See Residential Warranty Certificate for complete information. ² WiFi broadband internet connection required. Need WiFi module, purchased separately. ³ Consult your tax advisor for details on eligibility requirements for any available tax credits. Rebates vary by state.

For more product information, visit: Rheem.com/HybridSolutions



Rheem® Builder Class Residential Hybrid Electric Water Heater

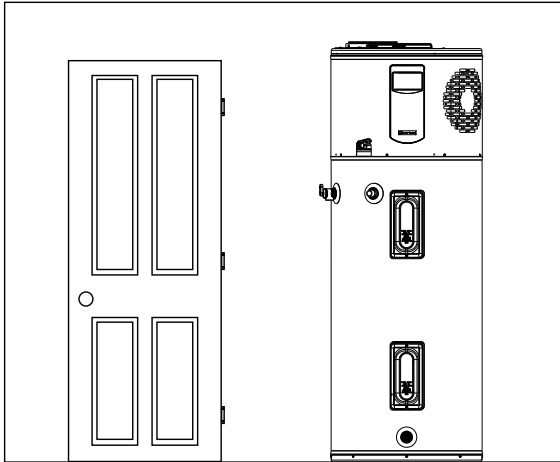


DESCRIPTION		DIMENSIONS (SHOWN IN INCHES)							
NOMINAL GALLON CAPACITY	MODEL NUMBER	A	B	C	D	E	F	G	
50	PROH50	61	22-1/4	47	3-5/8	39-5/8	28	24	
65	PROH65	64	24-1/4	49	3-7/8	42-3/8	30	26	
80	PROH80	74	24-1/4	59	3-7/8	52-3/8	30	26	

Rheem® Builder Class Residential Hybrid Electric Water Heater

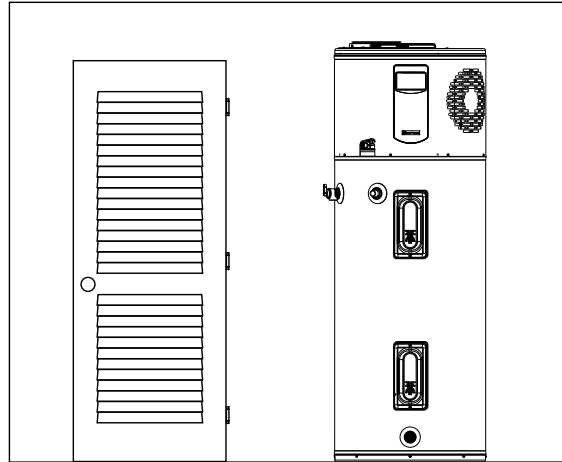
Heater: Not Ducted

Room size: Larger than 700 ft³ (e.g. 7' x 10' x 10').
Requirements: No additional ventilation needed.



Heater: Not Ducted

Room size: Smaller than 700 ft³ (e.g. 7' x 10' x 10').
Requirements: Full louvered door OR two louvers top and bottom. See below.



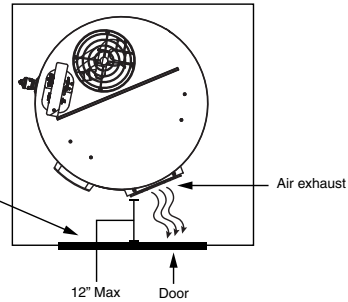
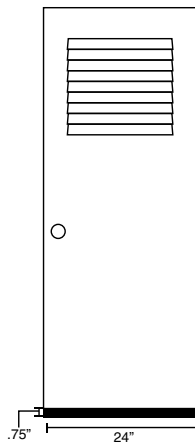
Heater: Not ducted

Room: Small Closet

Requirements: * Air gap under door equal to 18 in² (0.75" clearance).

* Louver must be located the same height on door as the air exhaust on heater.

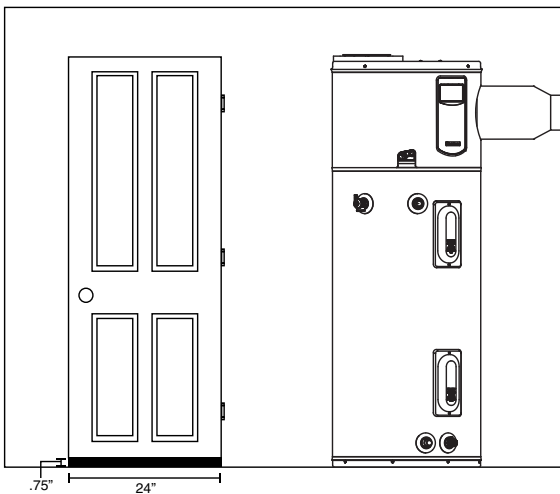
* Heater air exhaust must be positioned towards louver within one foot of door.



Heater: Ducted with inlet OR outlet duct

Room size: Any size room

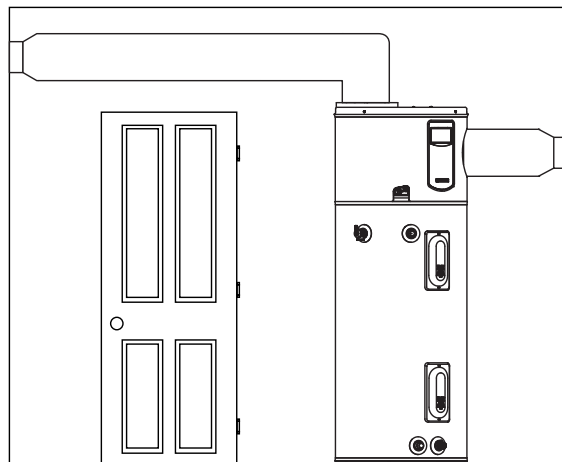
Requirements: Air gap under door equal to 18 in² (0.75" clearance)



Heater: Ducted with inlet AND outlet duct

Room size: Any size room

Requirements: No additional ventilation needed.





The new degree of comfort®



Residential Electric
Builder Class
Hybrid Water Heaters

Hybrid Accessories

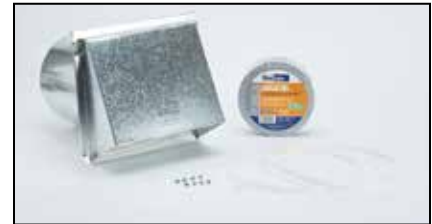
PART NUMBER	DESCRIPTION	USE FOR
SP20882	Earthquake Isolation Kit	Installations in seismic regions
SP20883	Vibration Isolation Kit	Installation on non-concrete floors
SP20884	8" Diameter UL Certified Termination Kit	Termination to the outside or to the attic with 8" diameter
SP20885	7" Diameter UL Certified Termination Kit	Termination to the outside or to the attic with 7" diameter
SP20886	6" Diameter UL Certified Termination Kit	Termination to the outside or to the attic with 6" diameter
SP20887	5" Diameter UL Certified Termination Kit	Termination to the outside or to the attic with 5" diameter
SP20888	8" Rheem Approved Damper Kit	Exhaust only to the outside ducting configuration (no inlet duct)
SP20889	25' Flexible 8" Diameter Duct Kit	For up to 25' of ducting
SP20890	Rigid Elbow Duct Kit	Installation in tight places where space needs to be minimized
SP17829	Exhaust Duct Adaptor	Allows to duct exhaust air



SP20882



SP20883



SP20884



SP20885



SP20886



SP20887



SP20888



SP20889



SP20890



SP178229

In keeping with its policy of continuous progress and product improvement, Rheem reserves the right to make changes without notice.

Rheem Water Heating • 1115 Northmeadow Parkway, Suite 100
Roswell, Georgia 30076 • www.rheem.com

Rheem Canada Ltd./Ltée • 125 Edgeware Road, Unit 1
Brampton, Ontario L6Y 0P5 • www.rheem.com



INTEGRATED HOME COMFORT