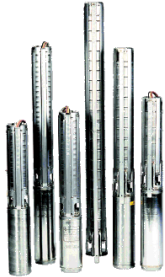


Tender Text



Product photo could vary from the actual product

Product No.: [15B70008](#)

230S250-8

Multi-stage submersible pump for raw water supply, groundwater lowering and pressure boosting. The pump is suitable for pumping clean, thin, non-aggressive liquids without solid particles or fibers.

The pump is made entirely of Stainless steel DIN W.-Nr. EN 1.4301 and suitable for horizontal and vertical installation. The pump is fitted with a built-in non-return valve.

Liquid:

Pumped liquid: Water
Maximum liquid temperature: 104 °F
Liquid temperature during operation: 68 °F
Density: 62.29 lb/ft³

Technical:

Speed for pump data: 3450 rpm
Rated flow: 242 US gpm
Rated head: 321.5 ft
Curve tolerance: ISO9906:2012 3B

Materials:

Pump: Stainless steel
EN 1.4301
AISI 304
Impeller: Stainless steel
EN 1.4301
AISI 304

Installation:

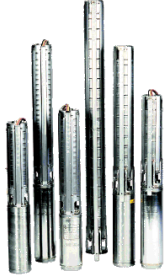
Pump outlet: 3"NPT
Motor diameter: 6 inch

Electrical data:

Rated power - P2: 25 HP
Power (P2) required by pump: 25 HP
Start. method: direct-on-line

Others:

ErP status: EuP Standalone/Prod.
Net weight: 53.8 lb
Gross weight: 63.5 lb
Shipping volume: 1.84 ft³

Position	Count	Description
	1	<p>230S250-8</p>  <p style="text-align: center;">Product photo could vary from the actual product</p> <p>Product No.: 15B70008 Multi-stage submersible pump for raw water supply, groundwater lowering and pressure boosting. The pump is suitable for pumping clean, thin, non-aggressive liquids without solid particles or fibers.</p> <p>The pump is made entirely of Stainless steel DIN W.-Nr. EN 1.4301 and suitable for horizontal and vertical installation. The pump is fitted with a built-in non-return valve.</p> <p>Liquid: Pumped liquid: Water Maximum liquid temperature: 104 °F Liquid temperature during operation: 68 °F Density: 62.29 lb/ft³</p> <p>Technical: Speed for pump data: 3450 rpm Rated flow: 242 US gpm Rated head: 321.5 ft Curve tolerance: ISO9906:2012 3B</p> <p>Materials: Pump: Stainless steel EN 1.4301 AISI 304 Impeller: Stainless steel EN 1.4301 AISI 304</p> <p>Installation: Pump outlet: 3"NPT Motor diameter: 6 inch</p> <p>Electrical data: Rated power - P2: 25 HP Power (P2) required by pump: 25 HP Start. method: direct-on-line</p> <p>Others: ErP status: EuP Standalone/Prod. Net weight: 53.8 lb Gross weight: 63.5 lb Shipping volume: 1.84 ft³</p>



Company name:

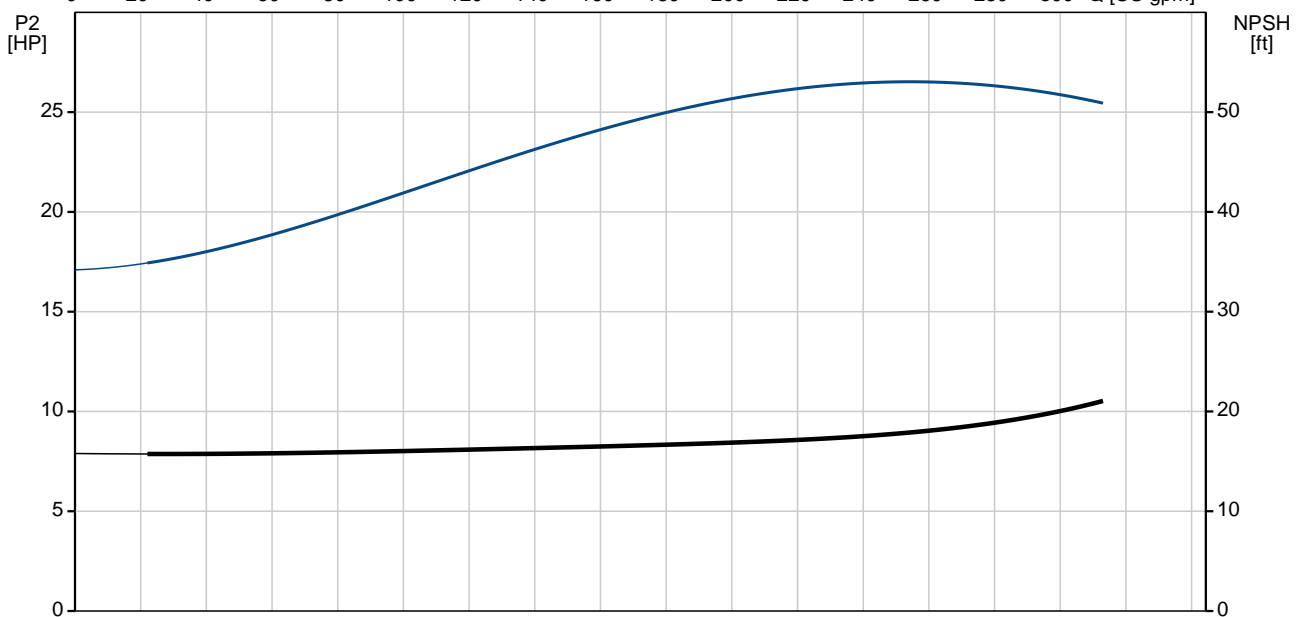
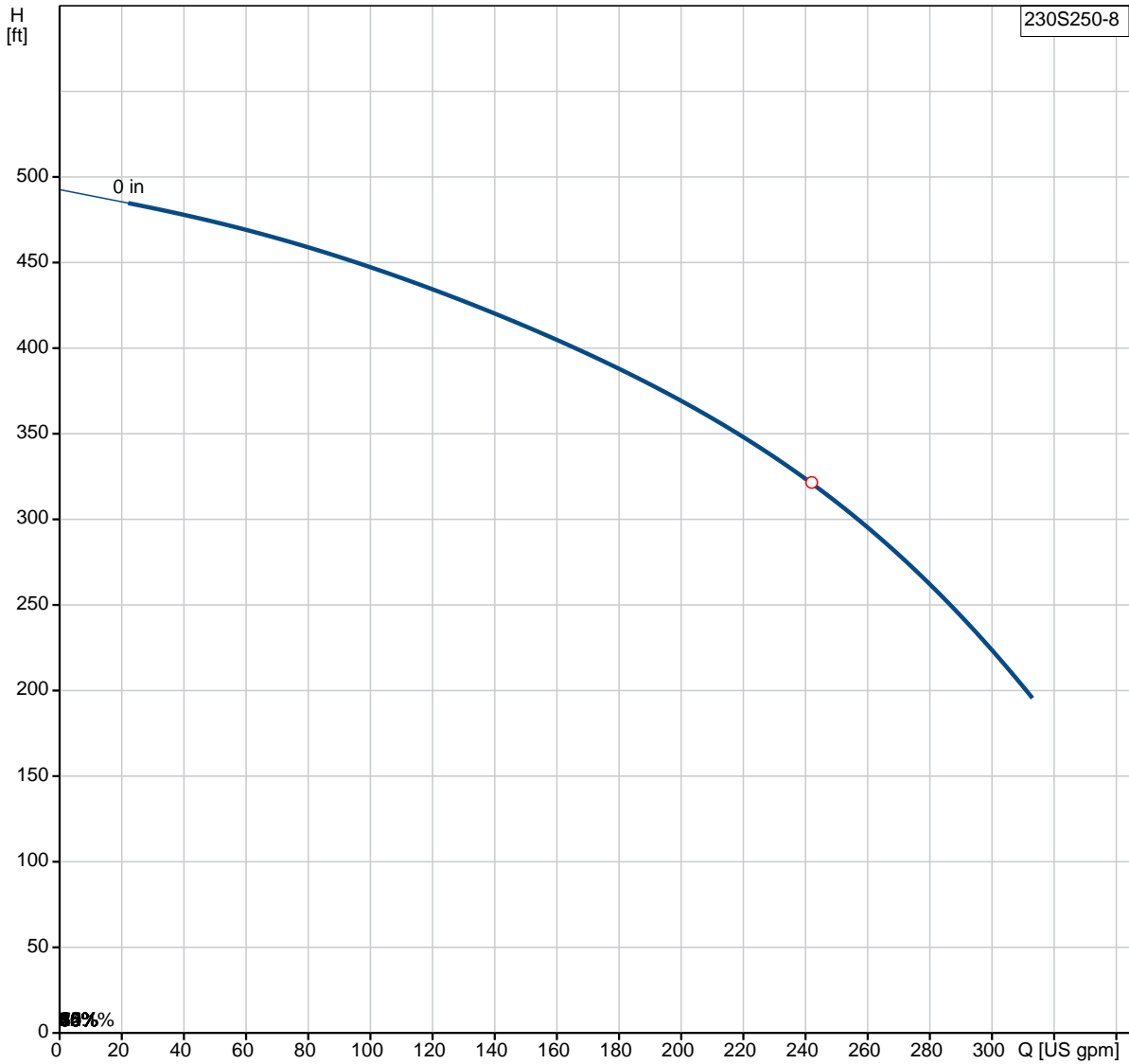
Created by:

Phone:

Date:

2/22/2018

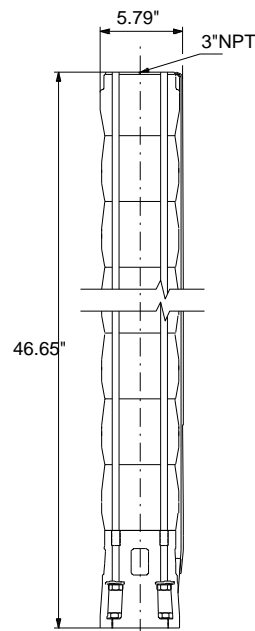
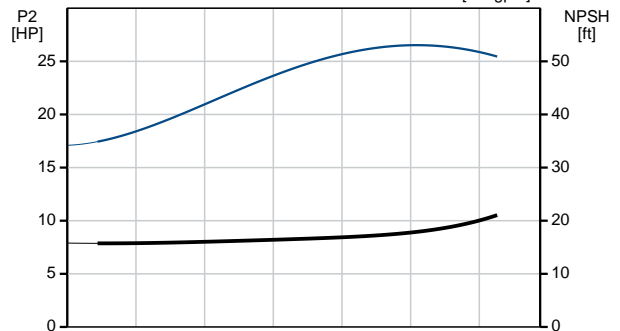
15B70008 230S250-8 60 Hz



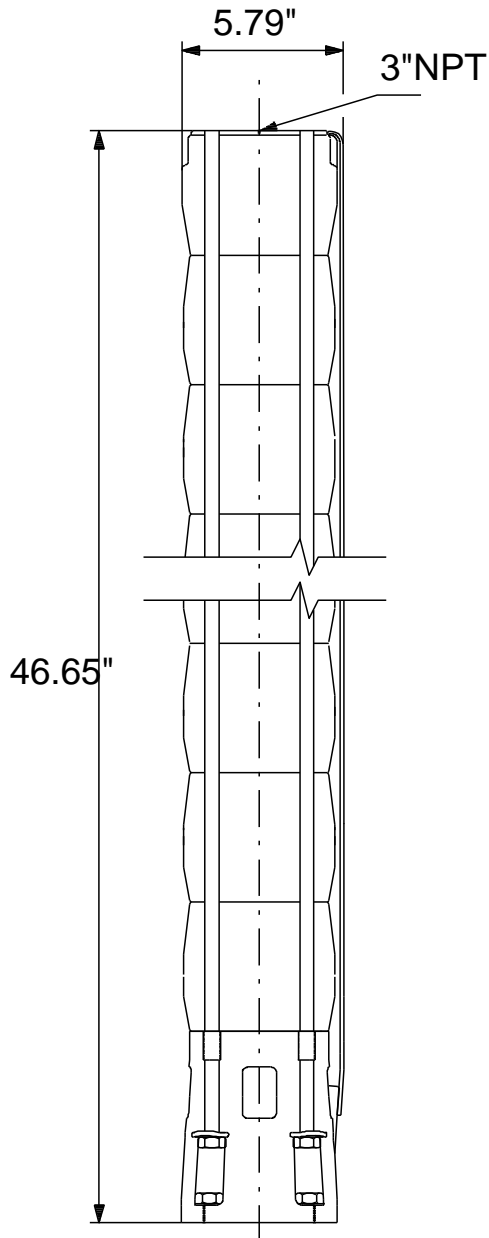
Description	Value
General information:	
Product name:	230S250-8
Product No.:	15B70008
EAN:	5700391829277
Technical:	
Speed for pump data:	3450 rpm
Rated flow:	242 US gpm
Rated head:	321.5 ft
Stages:	8
Impeller reduc.:	NONE
Curve tolerance:	ISO9906:2012 3B
Model:	B
Valve:	YES
Materials:	
Pump:	Stainless steel EN 1.4301 AISI 304
Impeller:	Stainless steel EN 1.4301 AISI 304
Installation:	
Pump outlet:	3"NPT
Motor diameter:	6 inch
Liquid:	
Pumped liquid:	Water
Maximum liquid temperature:	104 °F
Liquid temperature during operation:	68 °F
Density:	62.29 lb/ft ³

Electrical data:	
Applic. motor:	GRUNDFOS
Rated power - P2:	25 HP
Power (P2) required by pump:	25 HP
Start. method:	direct-on-line

Others:	
ErP status:	EuP Standalone/Prod.
Net weight:	53.8 lb
Gross weight:	63.5 lb
Shipping volume:	1.84 ft ³
Sales region:	Namreg



15B70008 230S250-8 60 Hz



Note! All units are in [mm] unless otherwise stated.
Disclaimer: This simplified dimensional drawing does not show all details.



Company name:

Created by:

Phone:

Date: 2/22/2018

Order Data:

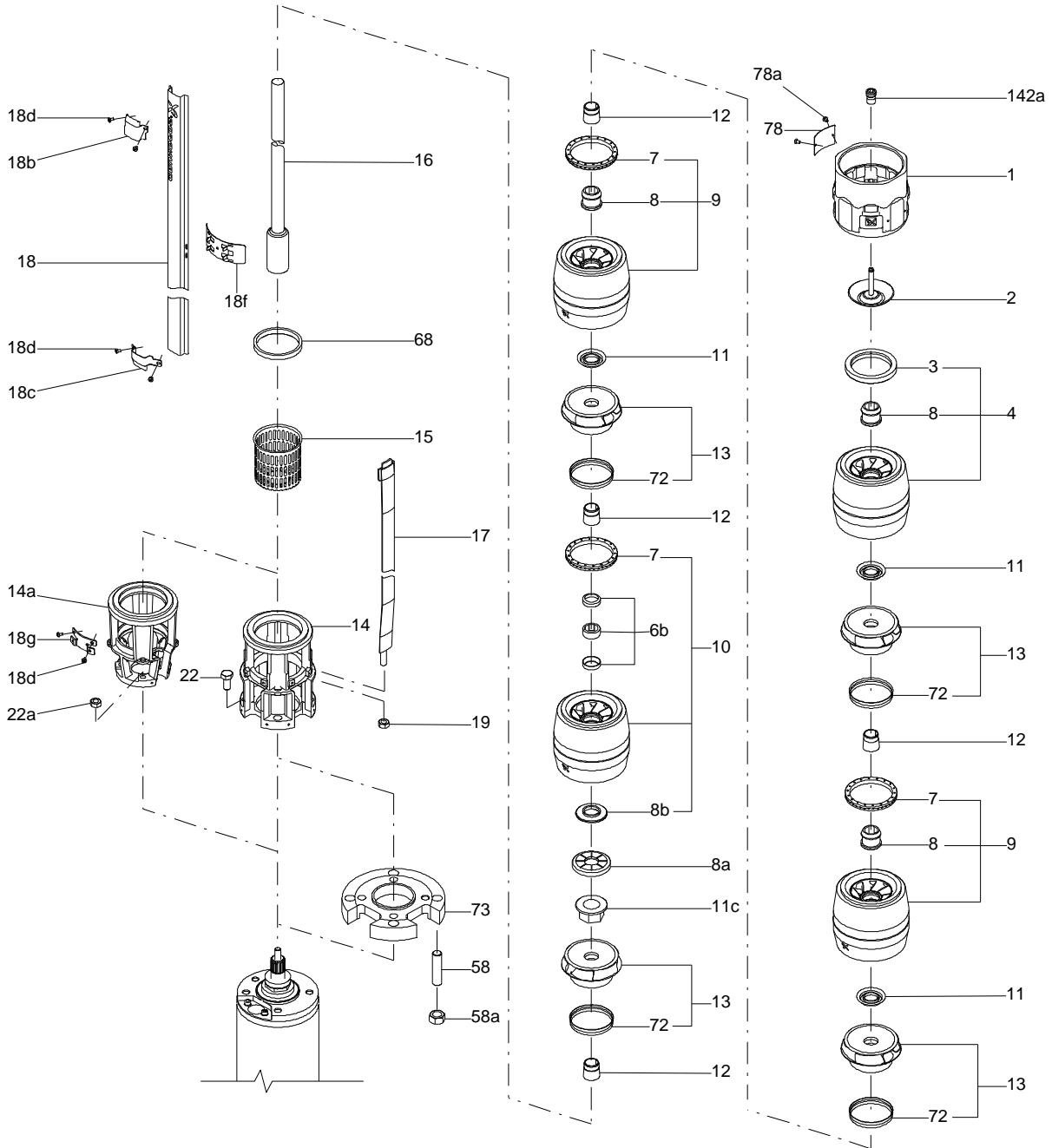
Product name: 230S250-8

Amount: 1

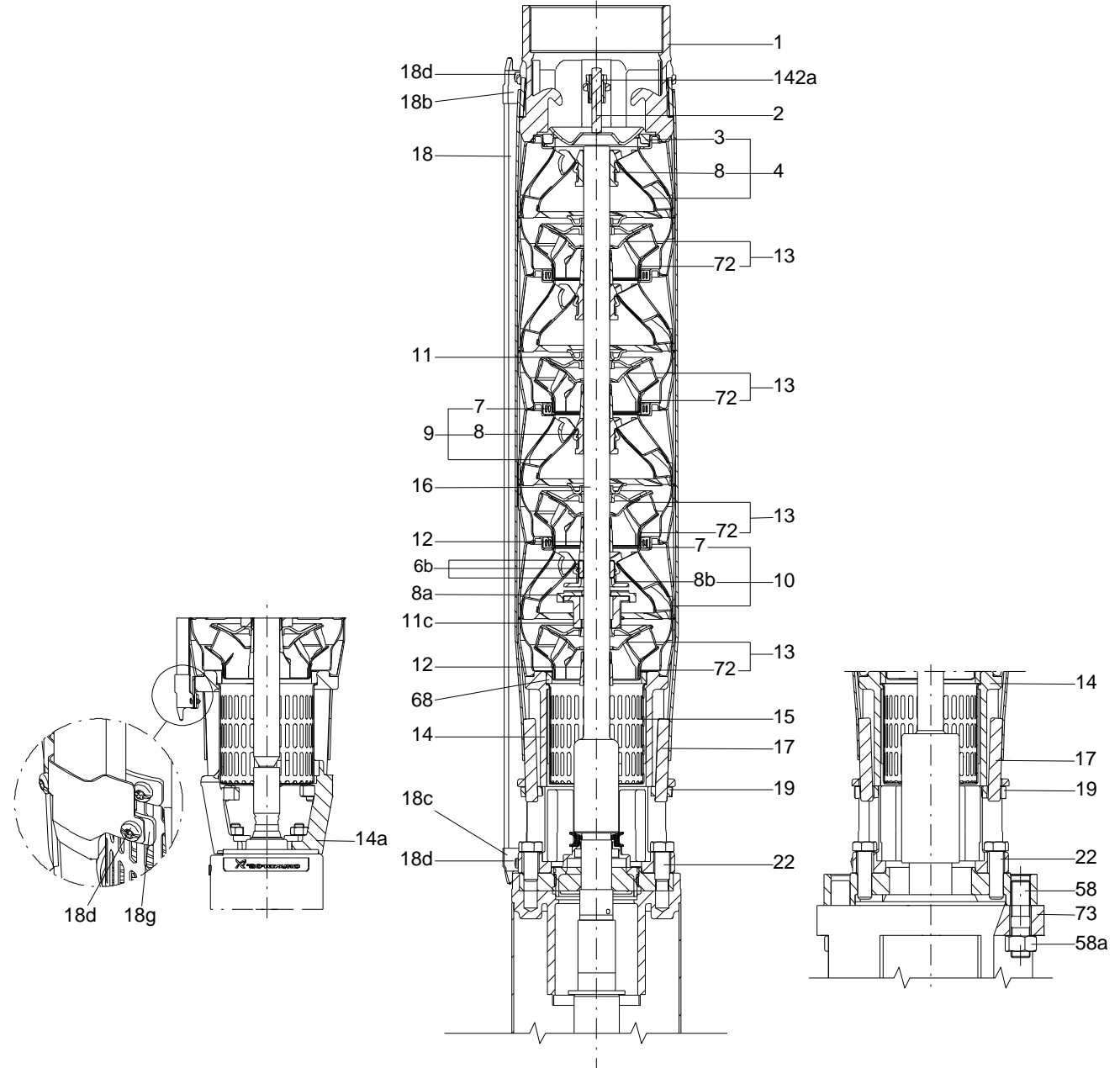
Product No.: 15B70008

Total: Price on request

Exploded view (TM054014 SP(LDC) for Normal pump)



Sectional drawing (TM054153 SP(LDC) Normal pump)



Parts list 230S250-8, Prod number 15B70008

Valid from 1.3.2016 (1610)

Position	Description	Annotation	Classification data	Part No.	Count	Unit
-	Shaft,cableg,strap				1	pcs
- 16	Shaft cpl.				1	
-	Coupling cpl.					
	Washer					
	Coupling					
32	O-ring					
- 17	Strap cpl.				4	
	Threaded bush					
	Lug					
18	Cable guard				1	
1	Valve casing				1	pcs
2	Valve				1	pcs
- 4	Chamber cpl.				1	pcs
	Chamber				1	
3	Valve seat				1	
8	Bearing				1	
- 8	Bearing cpl.				1	pcs
	Pipe				1	
8a	Washer				1	pcs
- 9	Chamber cpl.				6	pcs
	Chamber				1	
7	Seal ring				1	
8	Bearing				1	
- 10	Chamber cpl.				1	pcs
	Chamber				1	
6b	Bearing				1	
6b	Cup				2	
7	Seal ring				1	
8b	Stop ring				1	
- 13	Impeller cpl.				7	pcs
11	Split cone nut				1	
12	Split cone				1	
72	Wear ring				1	
- 13	Impeller cpl.				1	pcs
11c	Nut				1	
12	Split cone				1	
72	Wear ring				1	
14	Suction interconnector				1	pcs
15	Strainer				1	pcs
18b	Clamp				1	pcs
18c	Clamp				1	pcs
18d	Hex socket head cap screw				4	pcs
19	Nut				4	pcs
68	Seal ring				1	pcs
74	Hex head screw				4	pcs
78	Nameplate				2	pcs
78a	Rivet				2	pcs