

PROJECT: _____	UNIT TAG: _____	QUANTITY: _____
REPRESENTATIVE: _____	TYPE OF SERVICE: _____	DATE: _____
ENGINEER: _____	SUBMITTED BY: _____	DATE: _____
CONTRACTOR: _____	APPROVED BY: _____	DATE: _____
	ORDER NO.: _____	DATE: _____

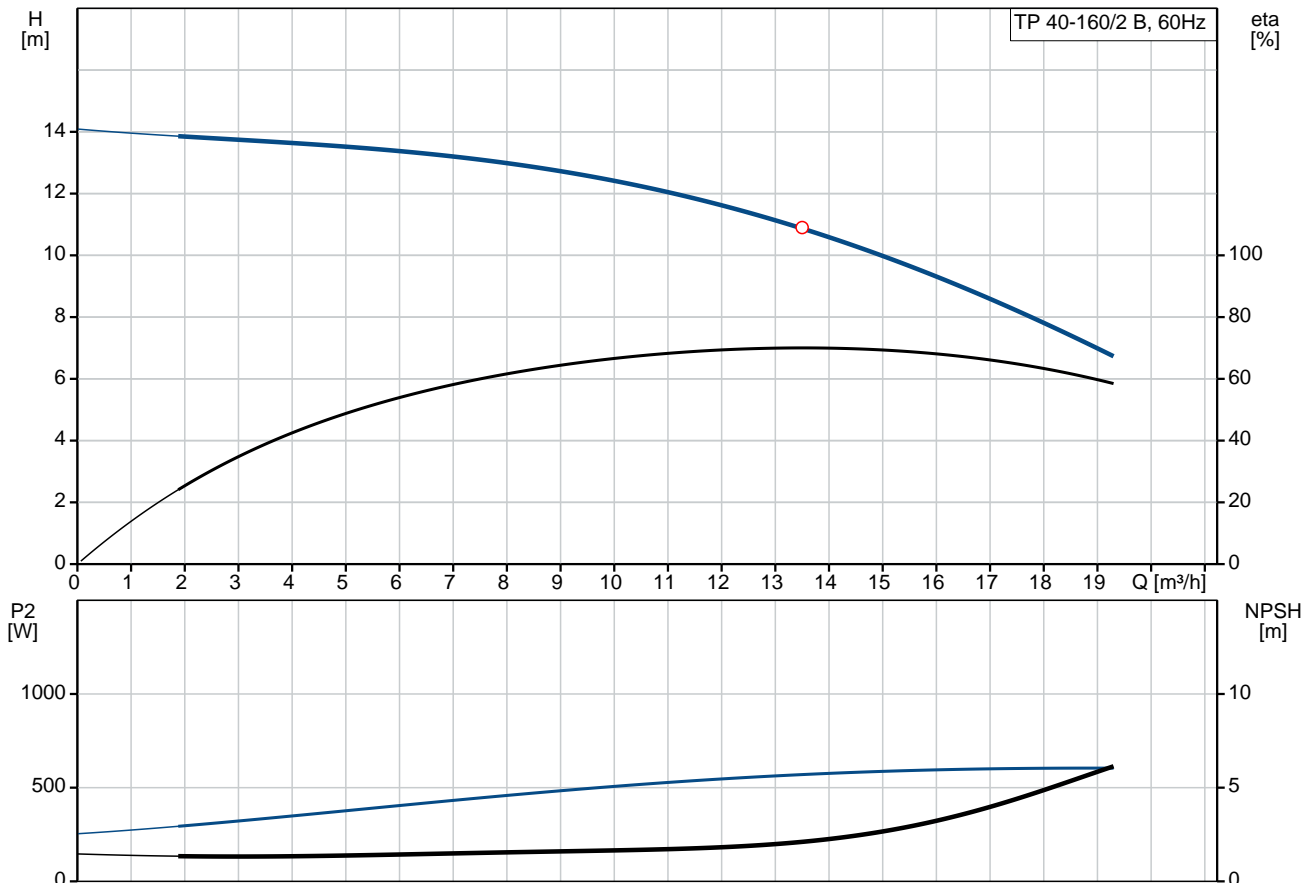


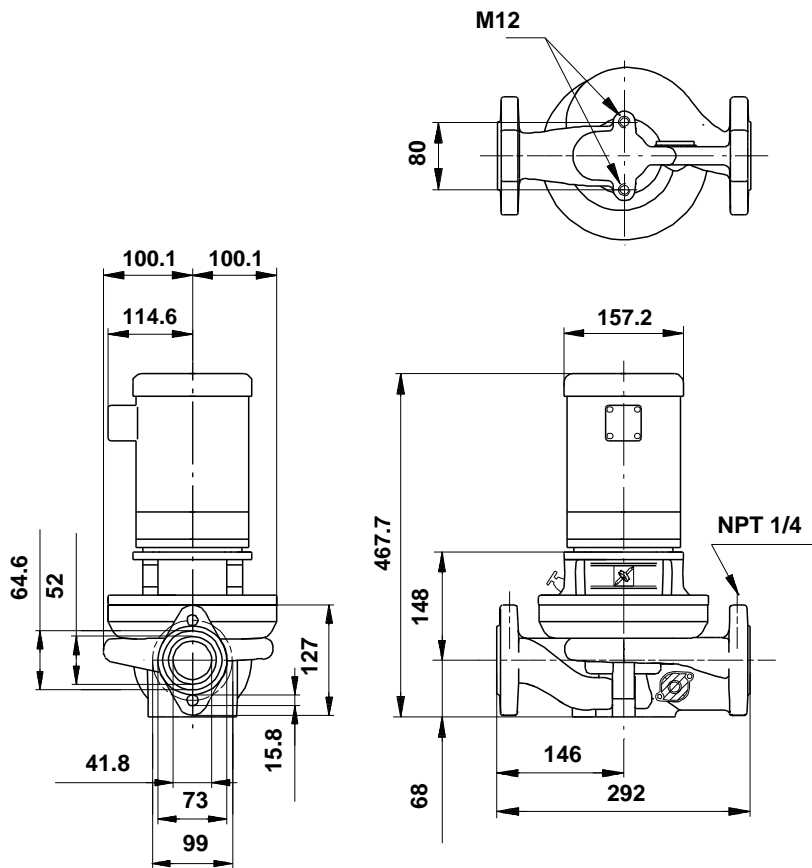
### TP 40-160/2 B

Single-stage in-line pumps

Note! Product picture may differ from actual product

Conditions of Service	Pump Data	Motor Data
Flow: _____	Maximum operating pressure: 10 bar	Rated power - P2: 0.55 kW
Head: _____	Liquid temperature range: -15 .. 140 °C	Rated voltage: 115/208-230 V
Efficiency: _____	Maximum ambient temperature: 40 °C	Mains frequency: 60 Hz
Liquid: Water	Approvals motor: UL Recognized Component, CSA	Number of poles: 2
Temperature: 20 °C	Shaft seal: BUBE	Insulation class: B
NPSH required: m	Flange standard: USA	Motor protection: NONE
Viscosity: _____	Pipe connection: 1 1/2"	Motor type: Baldor, TEFC
Specific Gravity: 1.000	Product number: 96411800	Motor_efficiency: 66 %





**Materials:**

Pump housing: Bronze  
 DIN W.-Nr. 2.1093

Impeller: Stainless steel  
 DIN W.-Nr. 1.4301  
 AISI 304

Material code: Z

## Tender Text



Product No.: [96411800](#)

### TP 40-160/2 B A-G-Z-BUBE

Single-stage centrifugal volute in-line single-head pump:

- neck rings and impeller made of stainless steel
- cataphoresis treatment
- shell coupling
- top-pull-out principle for easy maintenance
- optimized hydraulics
- in-line design with opposite suction and discharge ports enabling mounting in pipework or on a concrete foundation
- corrosion resistant maintenance-free mechanical shaft seal.

The motor is a 1-phase AC motor.

#### Liquid:

Pumped liquid: Water  
Liquid temperature range: -15 .. 140 °C  
Liquid temperature during operation: 20 °C  
Density: 998.2 kg/m<sup>3</sup>

#### Technical:

Speed for pump data: 3450 rpm  
Rated flow: 13.5 m<sup>3</sup>/h  
Rated head: 10.9 m  
Primary shaft seal: BUBE  
Approvals on motor nameplate: UL Recognized Component, CSA  
Curve tolerance: ISO9906:2012 3B

#### Materials:

Pump housing: Bronze  
DIN W.-Nr. 2.1093  
Impeller: Stainless steel  
DIN W.-Nr. 1.4301  
AISI 304

#### Installation:

Maximum ambient temperature: 40 °C  
Maximum operating pressure: 10 bar  
Flange standard: USA  
Pipe connection: 1 1/2"


#### Electrical data:

Motor type: Baldor, TEFC  
Rated power - P2: 0.55 kW  
Mains frequency: 60 Hz  
Rated voltage: 1 x 115/208-230 V  
Service factor: 1,25

Rated current: 9,6/5-4,8 A  
Starting current: 56/31-28 A  
Cos phi - power factor: 74  
Rated speed: 3450 rpm  
Motor efficiency at full load: 66 %  
Number of poles: 2  
Insulation class (IEC 85): B

**Others:**

Net weight: 32.8 kg  
Gross weight: 33.1 kg  
Shipping volume: 0.056 m<sup>3</sup>

Position	Qty.	Description
	1	<p><b>TP 40-160/2 B A-G-Z-BUBE</b></p>  <p>Product No.: <a href="#">96411800</a></p> <p>Single-stage centrifugal volute in-line single-head pump:</p> <ul style="list-style-type: none"> <li>- neck rings and impeller made of stainless steel</li> <li>- cataphoresis treatment</li> <li>- shell coupling</li> <li>- top-pull-out principle for easy maintenance</li> <li>- optimized hydraulics</li> <li>- in-line design with opposite suction and discharge ports enabling mounting in pipework or on a concrete foundation</li> <li>- corrosion resistant maintenance-free mechanical shaft seal.</li> </ul> <p>The motor is a 1-phase AC motor.</p> <p><b>Liquid:</b>  Pumped liquid: Water  Liquid temperature range: -15 .. 140 °C  Liquid temperature during operation: 20 °C  Density: 998.2 kg/m<sup>3</sup></p> <p><b>Technical:</b>  Speed for pump data: 3450 rpm  Rated flow: 13.5 m<sup>3</sup>/h  Rated head: 10.9 m  Primary shaft seal: BUBE  Approvals on motor nameplate: UL Recognized Component, CSA  Curve tolerance: ISO9906:2012 3B</p> <p><b>Materials:</b>  Pump housing: Bronze  DIN W.-Nr. 2.1093  Impeller: Stainless steel  DIN W.-Nr. 1.4301  AISI 304</p> <p><b>Installation:</b>  Maximum ambient temperature: 40 °C  Maximum operating pressure: 10 bar  Flange standard: USA  Pipe connection: 1 1/2"</p> <p><b>Electrical data:</b>  Motor type: Baldor, TEFC  Rated power - P2: 0.55 kW  Mains frequency: 60 Hz  Rated voltage: 1 x 115/208-230 V  Service factor: 1,25  Rated current: 9,6/5-4,8 A</p>



Company name:

Created by:

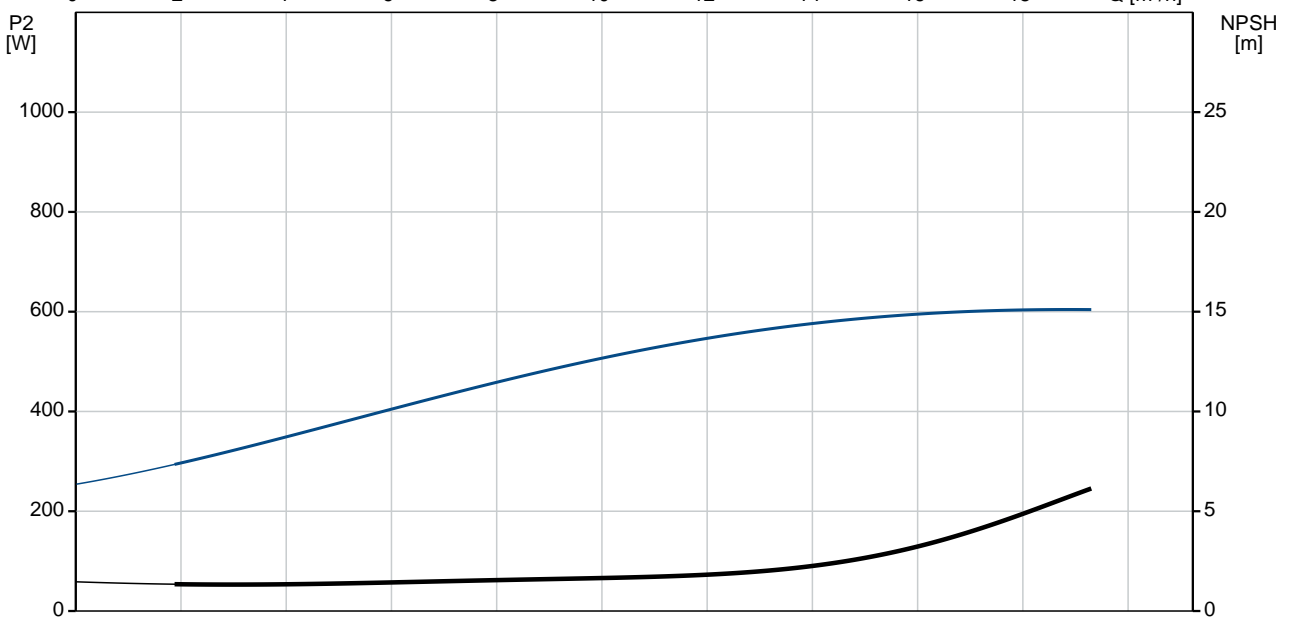
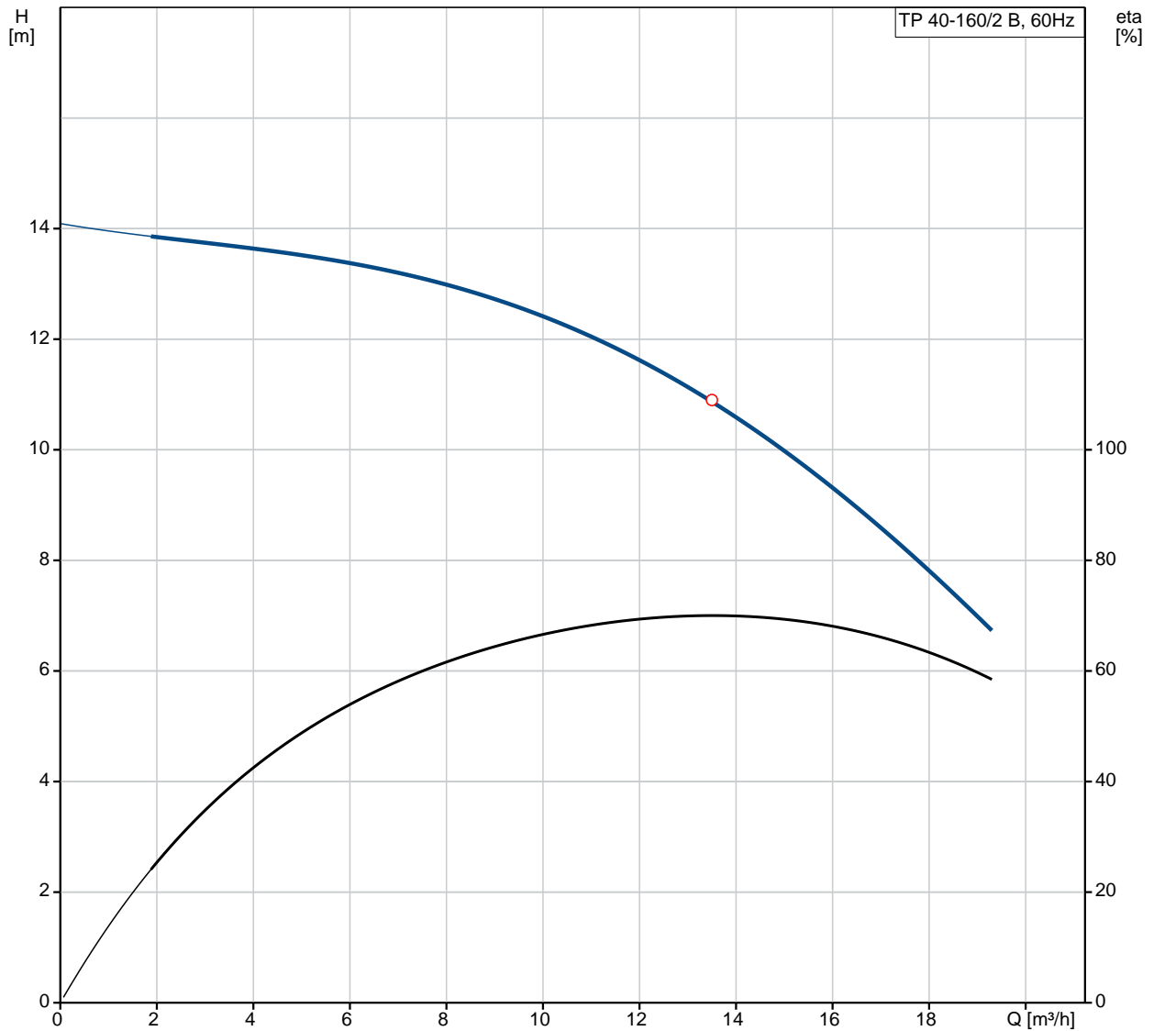
Phone:

Date:

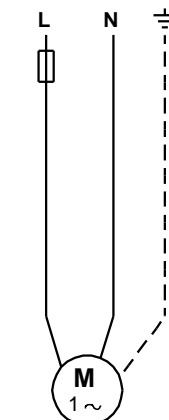
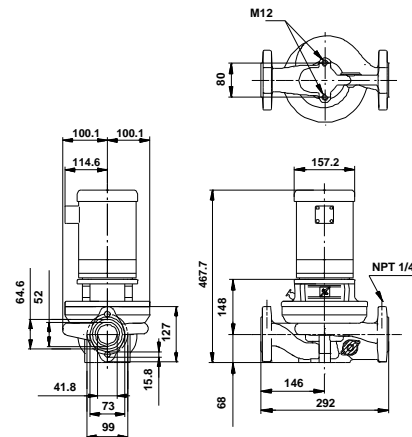
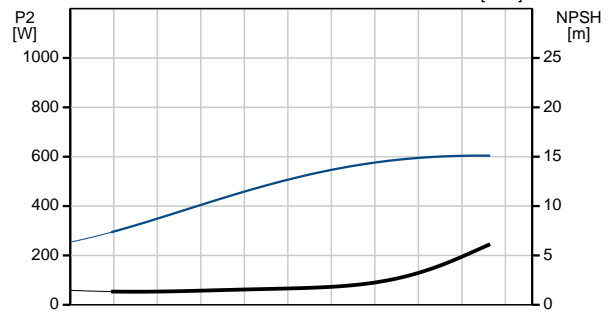
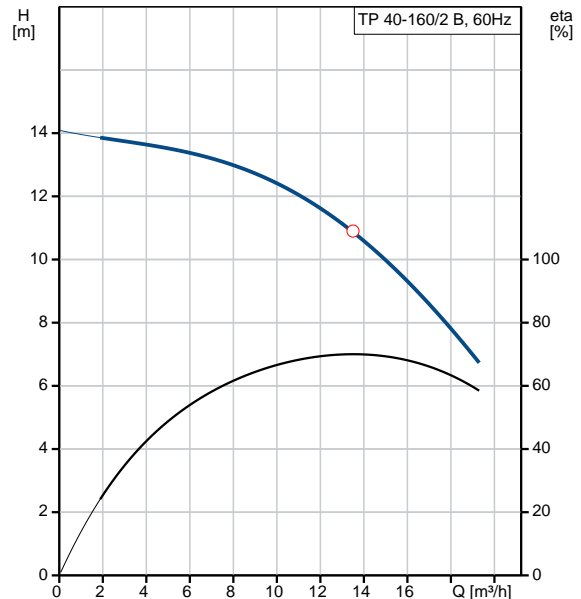
21/02/2018

Position	Qty.	Description
		Starting current: 56/31-28 A Cos phi - power factor: 74 Rated speed: 3450 rpm Motor efficiency at full load: 66 % Number of poles: 2 Insulation class (IEC 85): B  <b>Others:</b> Net weight: 32.8 kg Gross weight: 33.1 kg Shipping volume: 0.056 m <sup>3</sup>

## 96411800 TP 40-160/2 B 60 Hz



Description	Value
<b>General information:</b>	
Product name:	TP 40-160/2 B A-G-Z-BUBE
Product No:	96411800
EAN number:	5700390524234
<b>Technical:</b>	
Speed for pump data:	3450 rpm
Rated flow:	13.5 m <sup>3</sup> /h
Rated head:	10.9 m
Head max:	160 dm
Primary shaft seal:	BUBE
Approvals on motor nameplate:	UL Recognized Component, CSA
Curve tolerance:	ISO9906:2012 3B
Pump No:	96405258
Pump version:	A
<b>Materials:</b>	
Pump housing:	Bronze DIN W.-Nr. 2.1093
Impeller:	Stainless steel DIN W.-Nr. 1.4301 AISI 304
Material code:	Z
<b>Installation:</b>	
Maximum ambient temperature:	40 °C
Maximum operating pressure:	10 bar
Flange standard:	USA
Connect code:	G
Pipe connection:	1 1/2"
<b>Liquid:</b>	
Pumped liquid:	Water
Liquid temperature range:	-15 .. 140 °C
Liquid temperature during operation:	20 °C
Density:	998.2 kg/m <sup>3</sup>
<b>Electrical data:</b>	
Motor type:	Baldor, TEFC
Rated power - P2:	0.55 kW
KVA code:	K
Mains frequency:	60 Hz
Rated voltage:	1 x 115/208-230 V
Service factor:	1,25
Rated current:	9,6/5-4,8 A
Starting current:	56/31-28 A
Load current:	11,4/6-5,7 A
Cos phi - power factor:	74
Rated speed:	3450 rpm
Motor efficiency at full load:	66 %
Number of poles:	2
Insulation class (IEC 85):	B
Motor protec:	NONE
Motor No:	84Z04001
<b>Others:</b>	
Net weight:	32.8 kg
Gross weight:	33.1 kg





**Company name:**

**Created by:**

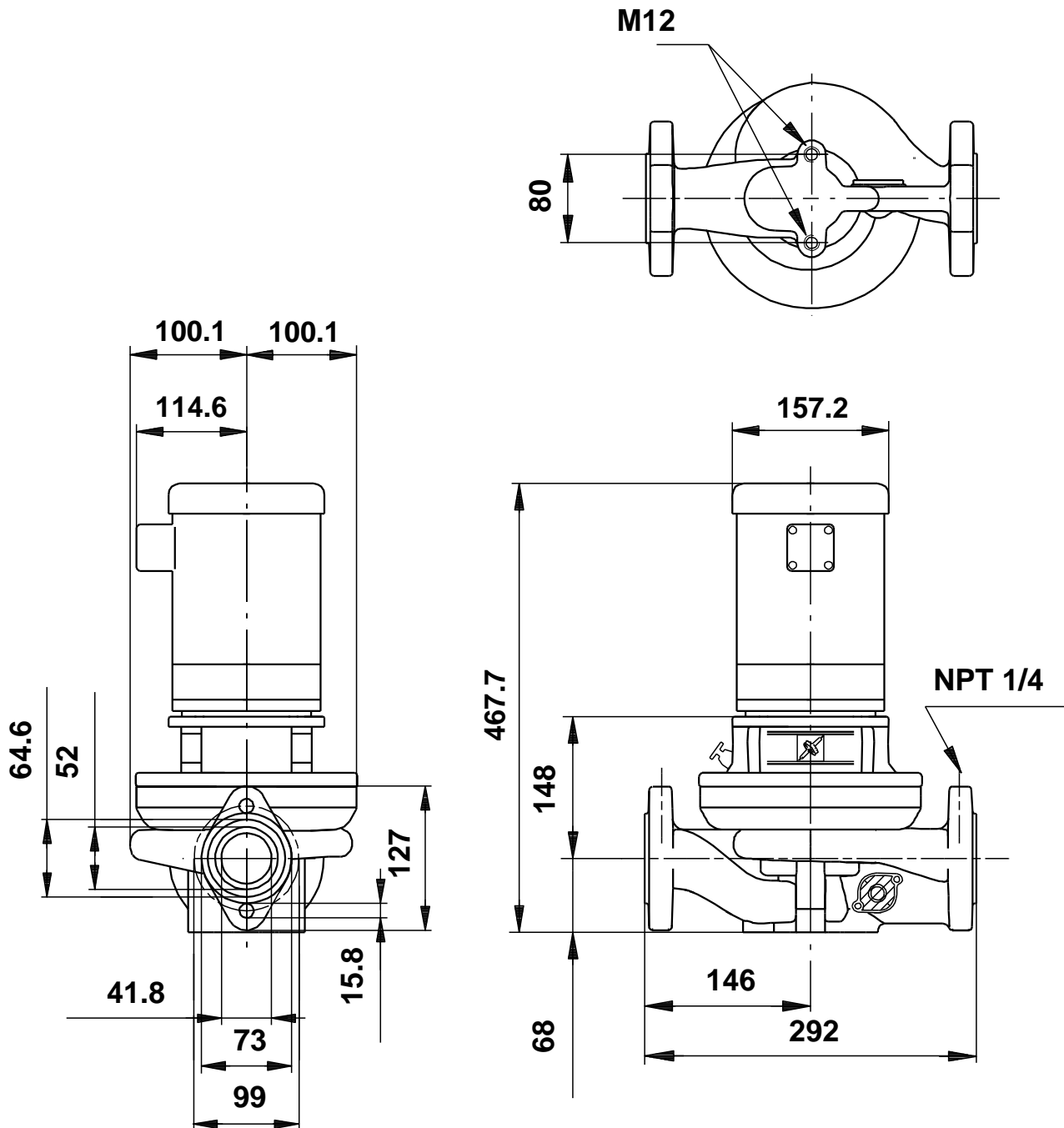
**Phone:**

**Date:**

21/02/2018

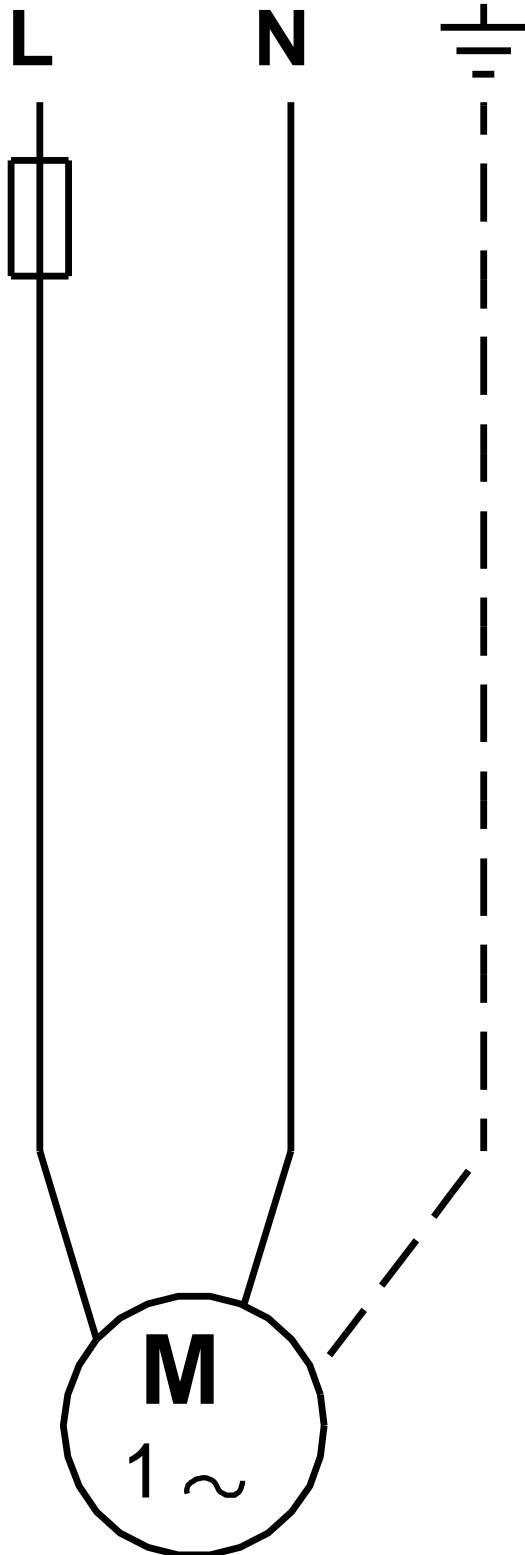
Description	Value
Shipping volume:	0.056 m <sup>3</sup>
Country code:	Namreg

## 96411800 TP 40-160/2 B 60 Hz



Note! All units are in [mm] unless others are stated.  
Disclaimer: This simplified dimensional drawing does not show all details.

**96411800 TP 40-160/2 B 60 Hz**



Note! All units are in [mm] unless others are stated.



Company name:

Created by:

Phone:

Date: 21/02/2018

---

**Order Data:**

Product name: TP 40-160/2 B A-G-Z-BUBE

Amount: 1

Product No: 96411800

Total: Price on request

---



**Parts list TP 40-160/2 B, Product No. 96411800**

**Valid from 8.11.2013 (1345)**

Pos	Description	Annotation	Classification Data	Part no.	Qty.	Unit
	Motor				1	pcs
-	Pump				1	pcs
2	Motor stool				1	
6	Pump housing				1	
7	Coupling guard				2	
7a	Pan head screw				4	
9	Hex socket head cap screw		Designation: DIN 912		4	
			Length (mm): 20			
			Thread: M6			
10	Shaft pin		Diameter: 5		1	
			Length (mm): 26			
10a	Coupling half				2	
17	Air vent screw				1	
19	Pipe plug				2	
26	Hex head screw		Length (mm): 28		4	
			Thread: M10			
49	Impeller cpl.				1	
49b	Split cone				1	
49b	Split cone nut				1	
65	Retainer for neck ring				1	
72a	O-ring		Diameter: 154		1	
			Material type: EPDM			
			Thickness: 4			
76	Nameplate				1	
105	Shaft seal		Material type: EPDM		1	