

PROJECT: _____	UNIT TAG: _____	QUANTITY: _____
REPRESENTATIVE: _____	TYPE OF SERVICE: _____	DATE: _____
ENGINEER: _____	SUBMITTED BY: _____	DATE: _____
CONTRACTOR: _____	APPROVED BY: _____	DATE: _____
	ORDER NO.: _____	DATE: _____

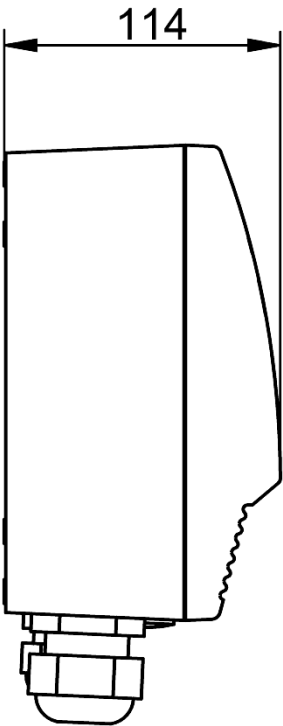
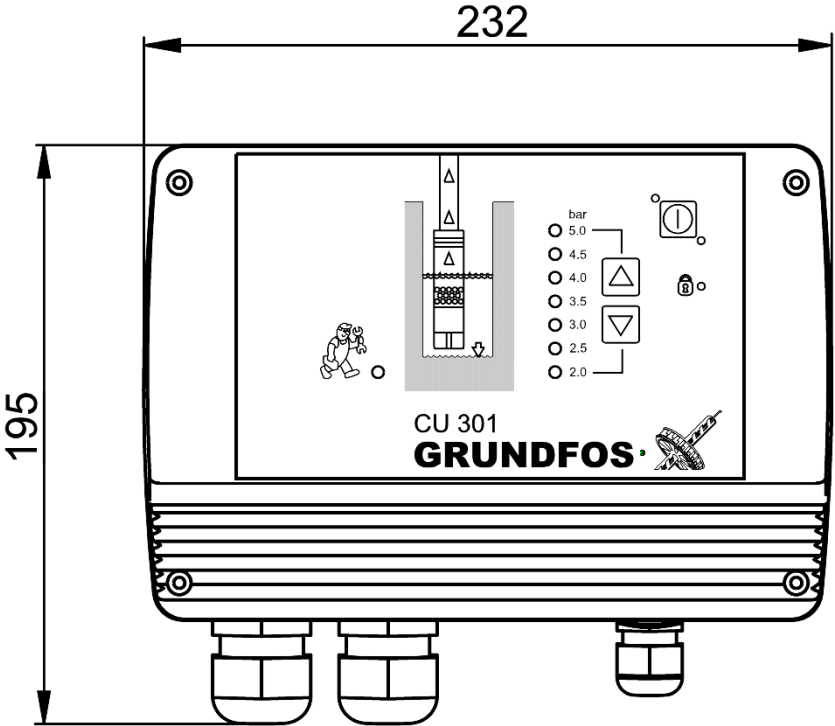
CU 301 MkII constant pressure kit

Accessories



Product photo could vary from the actual product

Conditions of Service	Pump Data	Motor Data
Flow: _____	Product number: 96438895	Rated voltage: 100-240 V
Head: _____		Main frequency: 60 Hz
Efficiency: _____		
Liquid: _____		
Temperature: _____		
NPSH required: _____		
Viscosity: _____		
Specific Gravity: _____		



Tender Text



Product photo could vary from the actual product

Product No.: [96438895](#)

CU 301 MkII constant pressure kit

The CU 301 control unit has been developed for the SQE submersible pumps.

The CU 301 enables:

- constant-pressure control on the basis of one sensor signal,
- setting of system pressure and
- monitoring of operation and alarm indication.

The CU 301 communicates with the pump via the pump cable which means that there is no need for extra cabling between the CU 301 and the pump.


Electrical data:

Main frequency:

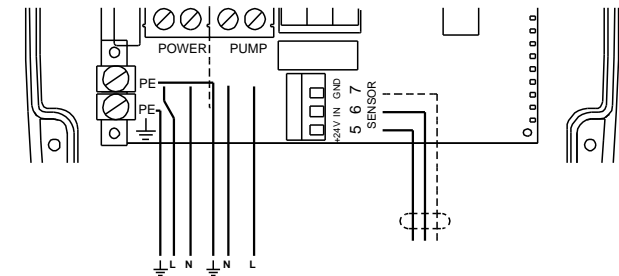
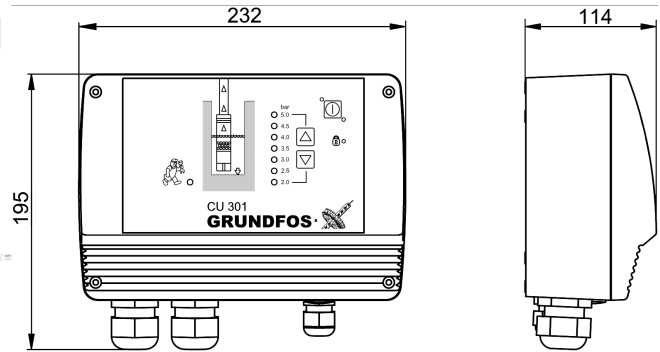
60 Hz

Rated voltage:

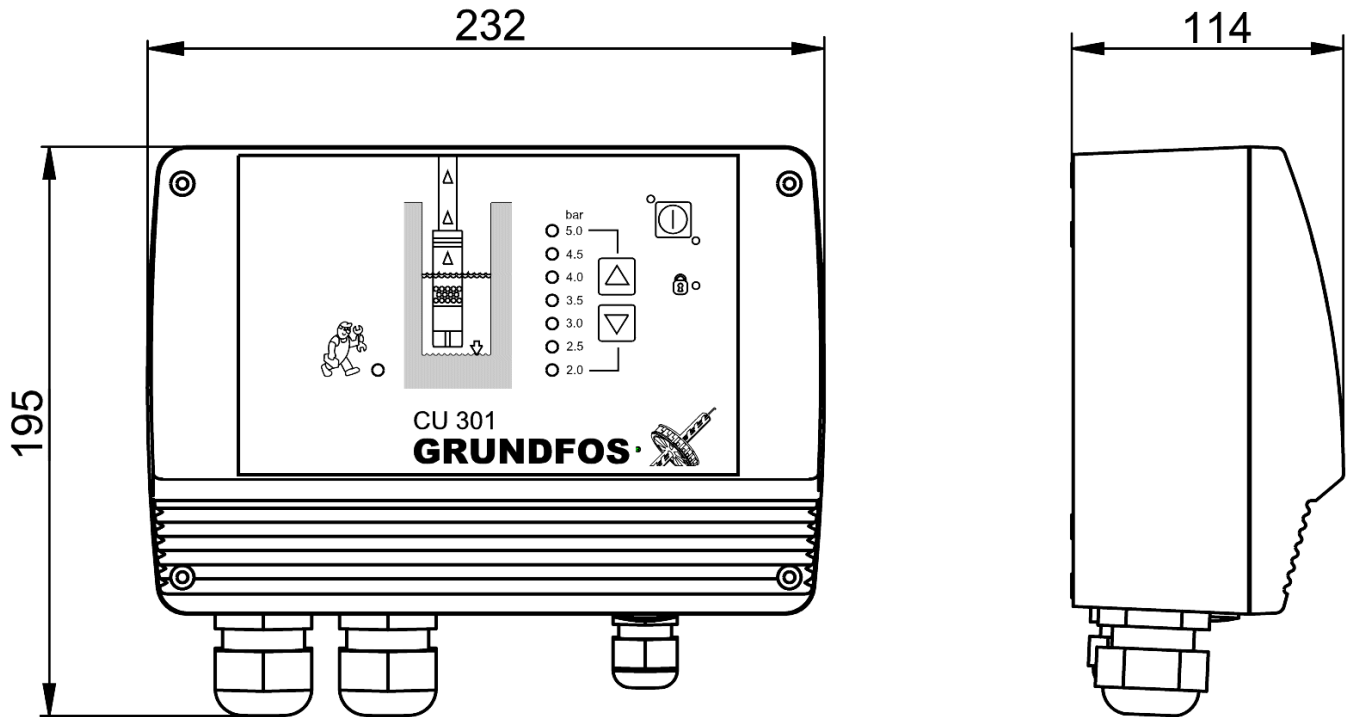
1 x 100-240 V

Position	Count	Description				
	1	<p data-bbox="343 340 742 369">CU 301 MkII constant pressure kit</p> <div data-bbox="391 488 678 683" style="text-align: center;">  </div> <p data-bbox="734 772 1189 795" style="text-align: center;">Product photo could vary from the actual product</p> <p data-bbox="343 801 606 828">Product No.: 96438895</p> <p data-bbox="343 833 1197 860">The CU 301 control unit has been developed for the SQE submersible pumps.</p> <p data-bbox="343 891 574 918">The CU 301 enables:</p> <ul data-bbox="343 922 1005 1008" style="list-style-type: none"> -constant-pressure control on the basis of one sensor signal, -setting of system pressure and -monitoring of operation and alarm indication. <p data-bbox="343 1041 1300 1097">The CU 301 communicates with the pump via the pump cable which means that there is no need for extra cabling between the CU 301 and the pump.</p> <p data-bbox="343 1131 518 1158">Electrical data:</p> <table data-bbox="343 1160 861 1220" style="width: 100%;"> <tr> <td>Main frequency:</td> <td style="text-align: right;">60 Hz</td> </tr> <tr> <td>Rated voltage:</td> <td style="text-align: right;">1 x 100-240 V</td> </tr> </table>	Main frequency:	60 Hz	Rated voltage:	1 x 100-240 V
Main frequency:	60 Hz					
Rated voltage:	1 x 100-240 V					

Description	Value
General information:	
Product name:	CU 301 MkII constant pressure kit
Product No.:	96438895
EAN:	5700393866171
Electrical data:	
Main frequency:	60 Hz
Rated voltage:	1 x 100-240 V
Controls:	
Unit:	40 - 100 psi
Others:	
Country code:	Namreg

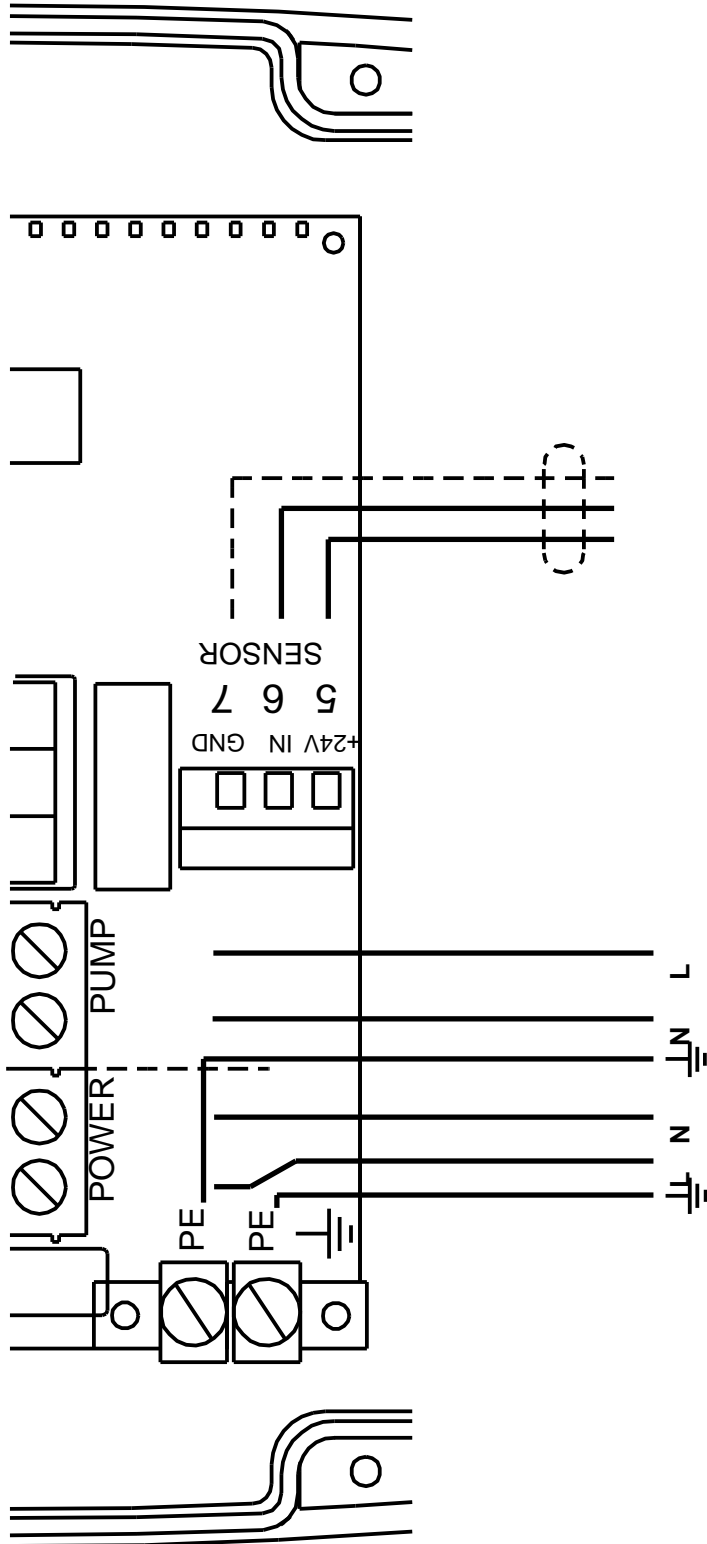


96438895 CU 301 Mkl constant pressure kit 60 Hz



Note! All units are in [mm] unless otherwise stated.
Disclaimer: This simplified dimensional drawing does not show all details.

96438895 CU 301 MkII constant pressure kit 60 Hz



All units are [mm] unless otherwise presented.



Company name:

Created by:

Phone:

Date: 2/21/2018

Order Data:

Product name: CU 301 MkII constant pressure kit

Amount: 1

Product No.: 96438895

Total: Price on request
