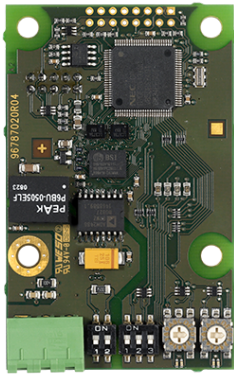


| | | |
|-----------------------|------------------------|-----------------|
| PROJECT: _____ | UNIT TAG: _____ | QUANTITY: _____ |
| REPRESENTATIVE: _____ | TYPE OF SERVICE: _____ | DATE: _____ |
| ENGINEER: _____ | SUBMITTED BY: _____ | DATE: _____ |
| CONTRACTOR: _____ | APPROVED BY: _____ | DATE: _____ |
| | ORDER NO.: _____ | DATE: _____ |

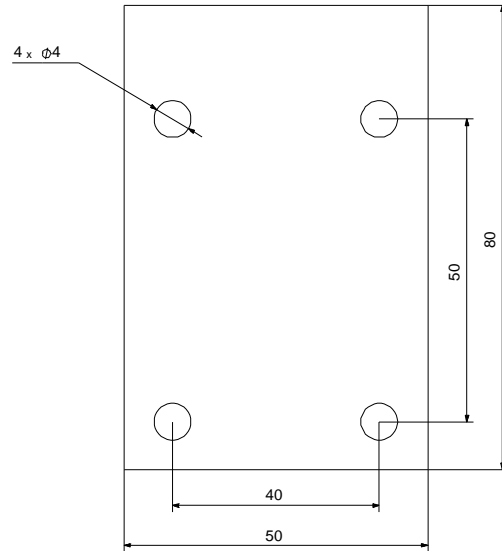


CIM 300 BACnet interface module

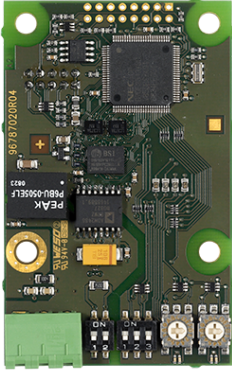
Communication interface for BACnet MS/TP

Product photo could vary from the actual product

| Conditions of Service | Pump Data | Motor Data |
|-------------------------|--------------------------|------------|
| Flow: _____ | Product number: 96893770 | |
| Head: _____ | | |
| Efficiency: _____ | | |
| Liquid: _____ | | |
| Temperature: _____ | | |
| NPSH required: _____ | | |
| Viscosity: _____ | | |
| Specific Gravity: _____ | | |



Tender Text



Product photo could vary from the actual product

Product No.: [96893770](#)

Communication interface for BACnet MS/TP

- for building automation

The CIM 300 is a standard interface for data transmission between a BACnet MS/TP network and a Grundfos pump or controller. It makes data exchange possible between Grundfos pumping systems and a Building Management System or a supervisory controller.

The communication interface is based on standard BACnet object types, allowing for straight forward data access over the network.

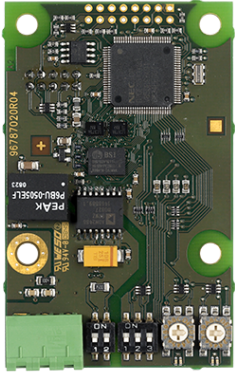
The BACnet functional profile has been optimized for exchanging data between pumping systems and building management systems / operator workstations.

The CIM 300 is an add-on communication module installed internally in the Grundfos product.

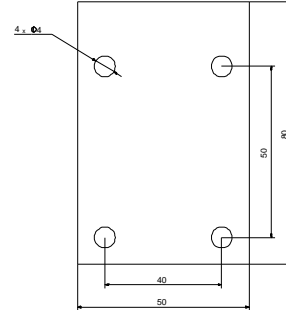
Supported products:

- E-pump types up to 2.2 kW and E-pump types at or above 11 kW
- MAGNA3 circulators
- CU 352 MPC controller

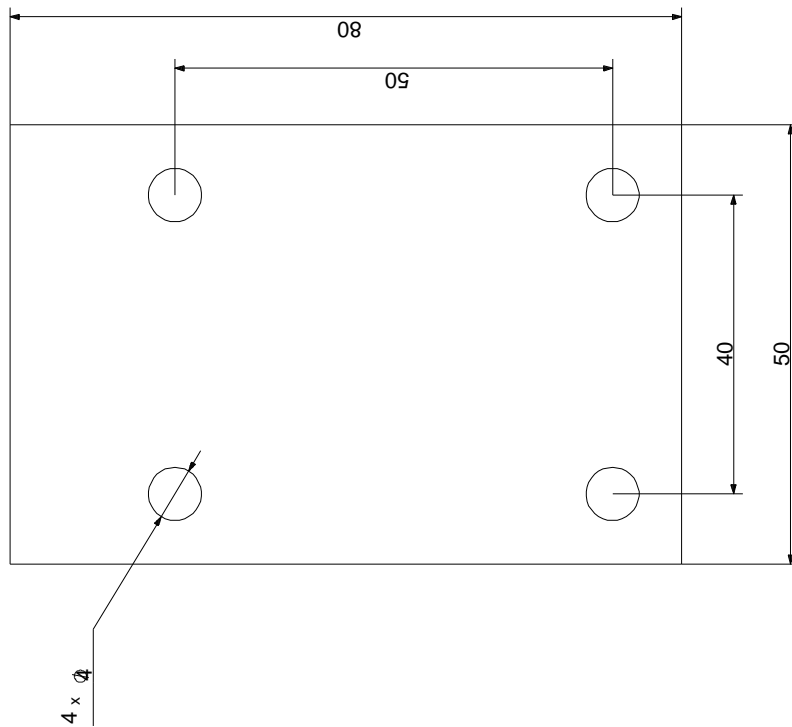
Transmission speeds (BACnet): 9.6 / 19.2 / 38.4 / 76.8 kbps

| Position | Count | Description |
|----------|-------|--|
| | 1 | <p data-bbox="347 340 863 369">Communication interface for BACnet MS/TP</p> <div data-bbox="416 398 651 768" style="text-align: center;">  </div> <p data-bbox="735 770 1190 795" style="text-align: center;">Product photo could vary from the actual product</p> <p data-bbox="347 801 671 862">Product No.: 96893770 - for building automation</p> <p data-bbox="347 891 1437 969">The CIM 300 is a standard interface for data transmission between a BACnet MS/TP network and a Grundfos pump or controller. It makes data exchange possible between Grundfos pumping systems and a Building Management System or a supervisory controller.</p> <p data-bbox="347 1003 1449 1059">The communication interface is based on standard BACnet object types, allowing for straight forward data access over the network.</p> <p data-bbox="347 1093 1417 1149">The BACnet functional profile has been optimized for exchanging data between pumping systems and building management systems / operator workstations.</p> <p data-bbox="347 1182 1369 1216">The CIM 300 is an add-on communication module installed internally in the Grundfos product.</p> <p data-bbox="347 1238 1075 1361">Supported products: <ul style="list-style-type: none"> • E-pump types up to 2.2 kW and E-pump types at or above 11 kW • MAGNA3 circulators • CU 352 MPC controller </p> <p data-bbox="347 1417 1002 1451">Transmission speeds (BACnet): 9.6 / 19.2 / 38.4 / 76.8 kbps</p> |

| Description | Value |
|-----------------------------|---------------------------------|
| General information: | |
| Product name: | CIM 300 BACnet interface module |
| Product No.: | 96893770 |
| EAN: | 5700313002153 |



96893770 CIM 300 BACnet interface module 50 Hz



Note! All units are in [mm] unless otherwise stated.
Disclaimer: This simplified dimensional drawing does not show all details.



Company name:

Created by:

Phone:

Date: 2/21/2018

Order Data:

Product name: CIM 300 BACnet interface module

Amount: 1

Product No.: 96893770

Total: Price on request
