

# STORAGE TANKS

## STANDARD STOCK UNJACKETED STORAGE TANKS

State commercial hot water storage tanks are designed for use with gas/electric water heaters and boilers to provide additional hot water storage capacity for systems with large hot water draws. State glasslined storage tanks are designed and recommended for systems with operating temperatures up to 180°F.



### GLASSLINED

- All internal surfaces exposed to water are glasslined per ASME HLW procedures, using an NSF-approved glasslining compound
- Glass is highly resistant to effects of temperature, corrosion and electrolysis

### SIZES FROM 80 TO 1,000 GALLONS

- All tanks in table on reverse side are normally carried in stock. ASME construction available on all except 80 and 120 gallon sizes.

### HORIZONTAL OR VERTICAL MOUNTING

- The State standard stock tanks (except the 80 and 120 gallon tanks) are shipped factory standard with leg sockets for vertical installation, but are also designed to have the proper inlet/outlet openings that allow horizontal installation
- For horizontal installations, optional tank saddles are required

### MAGNESIUM ANODES

- For maximum tank protection against corrosion

### WORKING PRESSURES

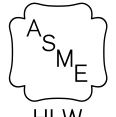
- Tanks tested at pressures assigned in accordance with working pressures shown in table on reverse side

### OPTIONS

- ASME and National Board Certification sheets
- Tank Saddles - two per horizontal tank required

### 5-Year Limited Tank Warranty

**CRN**  
(OPTIONAL)

**ASME**  
  
HLW  
(OPTIONAL)

  
Low Lead Content

**NOTE:** State also offers a full line of custom tanks that are built to order and are available with many options such as: various working pressures, lifting lugs, handholes, manholes, special linings, special openings, factory jacket/installation, and built to military specifications. For custom tanks please see State Custom Tanks.

For more information on Storage Tanks contact:

State Water Heaters  
500 Tennessee Waltz Parkway  
Ashland City, TN 37015  
800.365.0024 Toll-free USA  
www.statewaterheaters.com

**SOLID.STATE.**



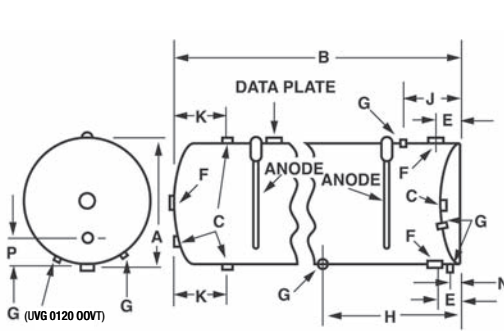


FIGURE 1 - UVG 0800 OOVV, UVG 0120 OOVV  
NOTE: UVG 0120 OOVV SHOWN

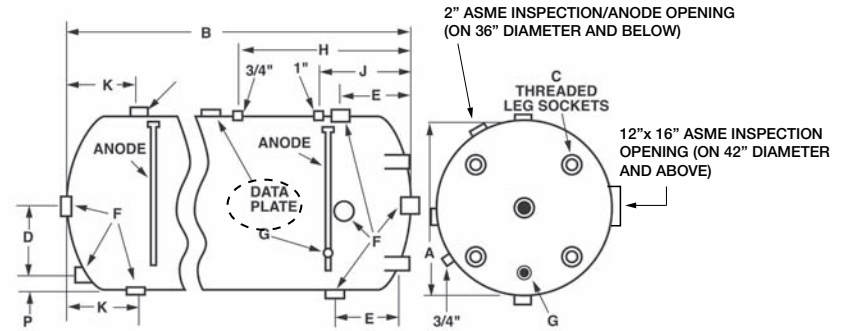


FIGURE 2 - UVG 0140 OOVV THROUGH UVG 1000 OOVTA125  
UVG 0500 OOVTA125 - HORIZONTAL MOUNTING ONLY.  
NO LEG SOCKETS.

**DIMENSION AND SHIPPING WEIGHTS**

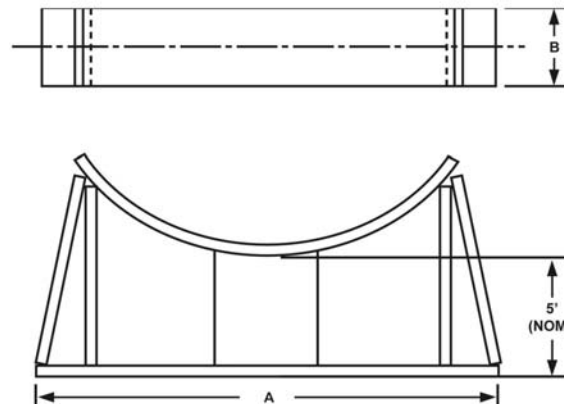
MODEL NUMBER	GALLON CAPACITY	OVERALL DIMENSIONS INCHES	A	B	C	D	E	F	G	H	J	K	N	P	APPROXIMATE SHIPPING WEIGHT
UVG 0800 OOVV	80	20 x 62-1/8	20	61-1/2	2	-	7	2	3/4	46-1/4	16	3-1/2	3-1/4	4	170
UVG 0120 OOVV	119	24-1/4 x 65	24-1/4	64-3/8	2	-	7	2	3/4	34-1/2	15-1/2	10-1/2	3-1/2	4-1/8	287
UVG 0200 OOVV	200	30 x 72	30	70-3/4	2-1/2	10	13	2-1/2	3/4	28-1/2	19-1/2	13	-	4	460
UVG 0350 OOVV	350	36 x 88	36	86	2-1/2	14	16	2-1/2	3/4	31-1/2	20-1/4	16	-	4	670
UVG 0140 OOVTA125	140	24 x 76-1/4	24	75	2-1/2	8	12	2-1/2	3/4	27-1/2	18-1/2	12	-	4	400
UVG 0200 OOVTA125	200	30 x 72	30	70-3/4	2-1/2	10	13	2-1/2	3/4	28-1/2	19-1/2	13	-	4	460
UVG 0250 OOVTA125	250	30 x 84	30	84	2-1/2	10	13-1/4	2-1/2	3/4	28-1/2	19-1/2	13	-	4	505
UVG 0350 OOVTA125	350	36 x 88	36	86	2-1/2	14	16	2-1/2	3/4	31-1/2	20-1/4	16	-	4	670
UVG 0400 OOVTA125	400	36 x 97	36	96	2-1/2	14	16	2-1/2	3/4	31-1/2	20-1/4	16	-	4	775
UVG 0500 OOVTA125	500	42 x 89	42	88	3	16	18	3	3/4	33-1/2	24-1/2	18	-	5	815
UVG 0500 OOVSA125	500	48 x 74	48	72-3/4	3	18	18	3	3/4	32-3/4	26-3/4	19-3/4	-	6	950
UVG 0750 OOVTA125	750	48 x 106	48	105	3	18	19-3/4	3	3/4	32-3/4	26-3/4	19-3/4	-	6	1290
UVG 1000 OOVTA125	1000	48 x 138	48	136	3	18	19-3/4	3	3/4	32-3/4	26-3/4	19-3/4	-	6	1655

Working pressure for Standard models UVG 0800 OOVV, UVG 0120 OOVV and UVG 0200 OOVV: 150 psi  
Working pressure for ASME models UVG 0140 OOVTA125 and UVG 0200 OOVTA125 through UVG 1000 OOVTA125: 125 psi

**OPTIONAL TANK SADDLES FOR HORIZONTAL TANK INSTALLATIONS**

**HORIZONTAL TANK SADDLES**

PART NUMBER	TANK DIAMETER	A	B
9500007145	20	22	6
9500007146	24	26	6
9500007147	30	32	6
9500007149	36	38	6
9500007150	42	44	6
9500007152	48	50	6



For complete information on limited warranties, consult written warranty or contact technical support at 1-800-365-0024.  
State Industries, Inc., reserves the right to make product changes or improvements without prior notice.

For more information on Storage Tanks contact:

State Water Heaters  
500 Tennessee Waltz Parkway  
Ashland City, TN 37015  
1-877-737-2840 Toll-free USA  
www.statewaterheaters.com

**SOLID.STATE.**

