



**Advanced Heating  
& Hot Water Systems**

# Phoenix Multi-Fit

**Stainless Steel, Gas fired, Commercial Water Heater**

Phoenix Multi-Fit will accommodate even the most difficult installations with **lower clearance** and **multiple inlet and outlet connections** making it easier to replace traditional center flue heaters.



**Up to 96% Thermal Efficiency**

**Up to 5:1 Turndown Ratio**

**Industry first for Condensing Water Heaters: Top and Side Connection Choices for Inlet and Outlet**

**Ease of Installation**

Extremely lightweight tank fits virtually anywhere; 100 gallon: 63" height & 80 gallon: 55" height

**316L Stainless Steel Tank**

Eliminates the need for anode rods

**Vents in Inexpensive PVC or CPVC pipe**

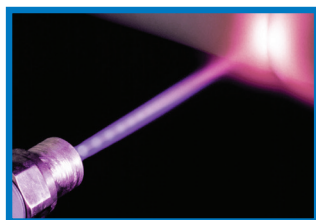
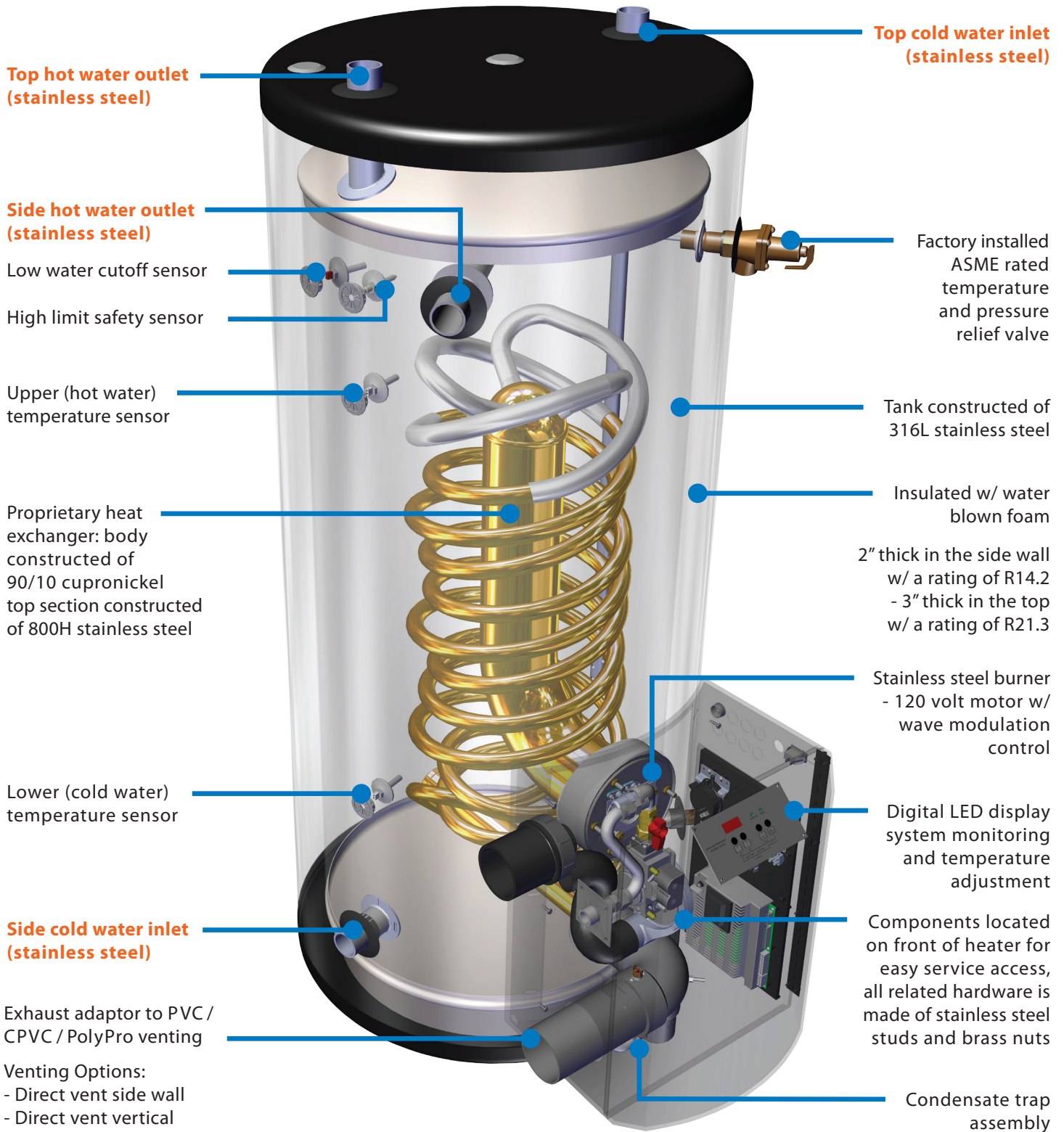
Combined vent lengths up to 200' in 3" pipe or vent lengths up to 85' in 2" pipe

**Beautiful Stainless Steel Look**

**80/100 Gallon - 130k/199k Btuh**

**Inlet /Outlet Connections On Both The Top & Side**

# A Closer Look Inlet/Outlet Connections On Top & Side



## Laser Welded Tank

An advanced laser allows for more precise welding through a concentrated heat source, producing high quality 316L stainless steel tank construction with stronger, long lasting seams.

# Why Choose A Stainless Steel Tank? Because They Are Built To Last!

## The Advantages

### Stainless Steel vs. Glass-Lined



HTP's  
100 GAL. Tank  
230 LBS.



Top Competitor's  
100 GAL. Tank  
550 LBS.

Prolongs Tank Life  
No Need for Anode Rods  
Light Weight Construction  
Eliminates Scale Build-up on HX

## NO Anode Rods Needed!

All coated tanks require anodes to delay inevitable corrosion and tank failure. The average commercial water heater lasts about 6 years. The Phoenix Multi-Fit stainless steel tank will outlast any coated steel tank in the market.



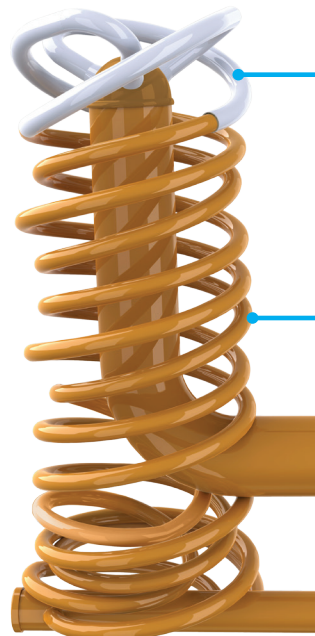
## HTP's Unique Heat Exchanger

**Durable Construction**

**-High Performance**

**-Excellent Heat  
Transfer Capabilities**

**-Self Cleaning**

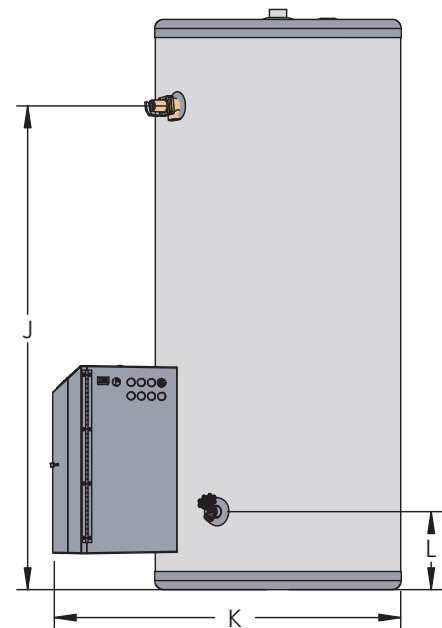
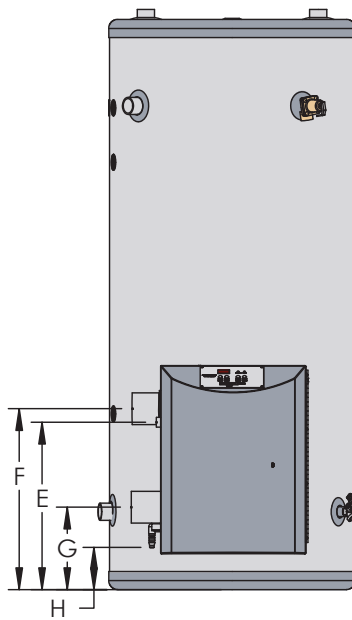
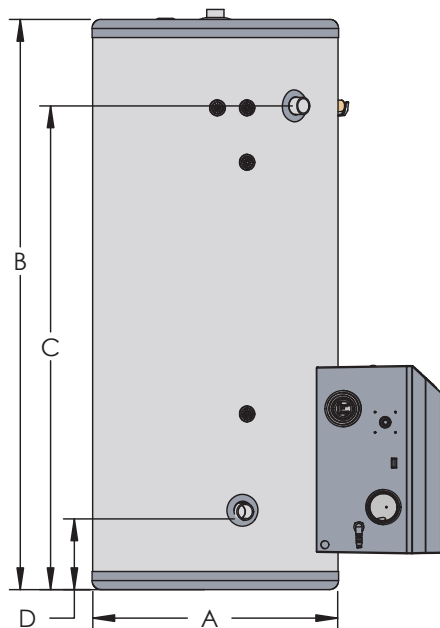
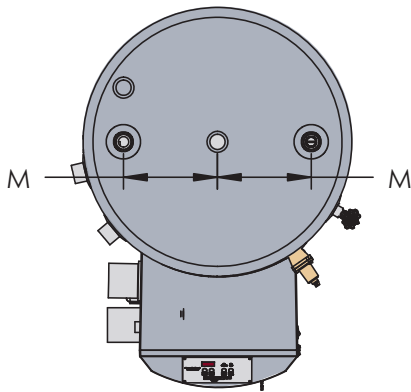


Stainless Steel (1.65mm thick) welded to the top of the heat exchanger where flue gas is the hottest.

Transitions to 90/10 Cupronickel (1.1mm thick) spiral design that expands and contracts rapidly with the change in temperature eliminating scale build-up.

# Specifications

# Phoenix Multi-Fit



## PHOENIX MULTI FIT WATER HEATER

MODEL*	GAL.	A	B	C	D	E	F	G	H	J	K	L	M
PHM130-80/199-80	80	27"	55"	46"	7-1/4"	17"	18-1/4"	8"	3"	46"	38-1/4"	7-1/4"	9-1/2"
PHM130-100/199-100	100	27"	63"	54"	7-1/4"	17"	18-1/4"	8"	3"	54"	38-1/4"	7-1/4"	9-1/2"

## PHOENIX MULTI FIT WATER HEATER SPECIFICATION

MODEL*	INPUT MODULATION	AIR INTAKE/ EXHAUST VENT SIZE	INLET/ OUTLET SIZE	FIRST HOUR RATING	GAS LINE CONN.	SYSTEM RELIEF PIPE SIZE	SHIPPING WEIGHT	MAX. TEMPERATURE LIMIT
PHM130-80	35,000 - 130,000	2"	1-1/2" NPT	227 GAL	3/4"	3/4"	285 LBS.	160°
PHM199-80	40,000 - 199,000	3"	1-1/2" NPT	314 GAL	3/4"	3/4"	285 LBS.	160°
PHM130-100	35,000 - 130,000	2"	1-1/2" NPT	238 GAL	3/4"	3/4"	315 LBS.	160°
PHM199-100	40,000 - 199,000	3"	1-1/2" NPT	329 GAL	3/4"	3/4"	315 LBS.	160°

\*ALL DIMENSIONS ARE APPROXIMATE, A SUFFIX OF "LP" DENOTES PROPANE GAS

[www.htproducts.com](http://www.htproducts.com) • 272 Duchaine Blvd, New Bedford, MA 02745

In accordance with our company policy of ongoing product improvement, HTP Comfort Solutions LLC. reserves the right to make changes without prior notice. • MKTLIT-68 - 10 / 2017 © HTP