



model 1119.14

Barrier-Free Dual Wall Mount Fountain

FEATURES & BENEFITS

CONSTRUCTION

One-piece stamped basin with low-profile design made of 14 gauge Type 304 stainless steel with integral 1/4" (.6 cm) mounting plate, and vandal-resistant bottom plate. Satin finish resists stains and corrosion.

INTEGRATED TRAP

Brass 1-1/4" NPT trap is internally mounted for easy installation and access.

QUALITY CONTROL

Both fountains are pre-built and fully water and pressure tested to ensure proper functionality.

BACK PANEL

Stainless steel back panel helps to protect the wall from inadvertent splashing, and its decorative satin finish increases location visibility and completes the fountains attractive appearance.

BARRIER-FREE

Barrier-free capabilities combined with its ease of use allows for a number of installation location possibilities.

BUBBLER HEAD

Polished chrome-plated brass bubbler head with integral basin shank for added strength. Shielded, angled stream opening provides a steady, sanitary source of drinking water at .45 gpm.

PUSH BUTTON VALVE

The push-button activated valve assembly allows for front access stream adjustment as well as cartridge and strainer access. The valve works at an operating pressure range of 30 to 90 psi (2.1 to 6.2 bar).



SPECIFICATIONS

Model 1119.14 "Hi-Lo" wall mounted barrier-free drinking fountain shall include dual 14 gauge Type 304 Stainless Steel satin finish basins with integral 1/4" (.6 cm) stainless steel mounting plates, push-button operated stainless steel valves with front-accessible cartridge and flow adjustment, 100% lead-free waterways, polished chrome-plated brass vandal-resistant bubbler heads, polished chrome-plated brass vandal-resistant waste strainers, vandal-resistant bottom plates, stainless steel satin finish back panel, high and low fountain mounting levels, and 1-1/4" NPT traps.

OPTIONS

- ❑ Fountain Skirt: Model SK1, satin finish stainless steel cane touch skirt for installation on high unit in some applications that may need to comply with ADA protruding objects guidelines.
- ❑ Water Filter: Model 6426, 10" x 2" (25.4 x 5.1 cm), in-line lead removal element that reduces lead from incoming water supply.
- ❑ Mounting Plate: Model 6700.4 "Hi-Lo" universal mounting plate for most dual bubbler fountains. Priced Separately
- ❑ Support Frame: Model 6800 universal in-wall mounting support for use with most fountains.

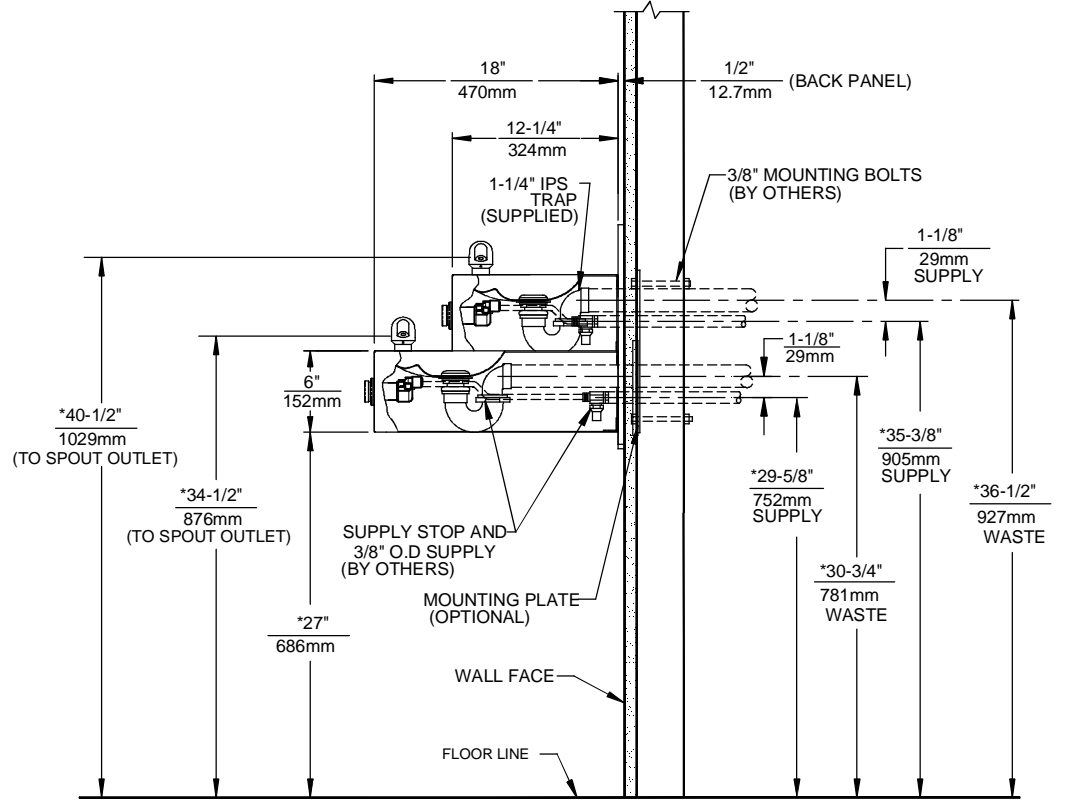
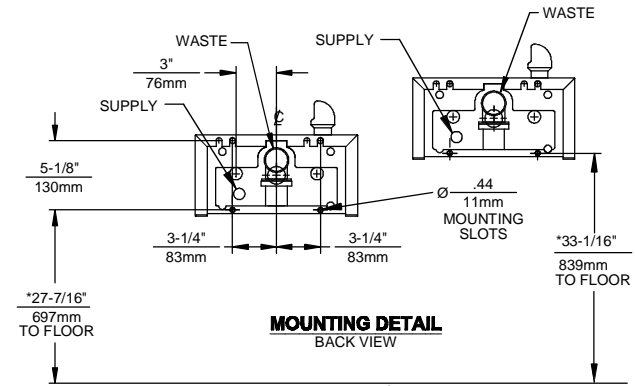
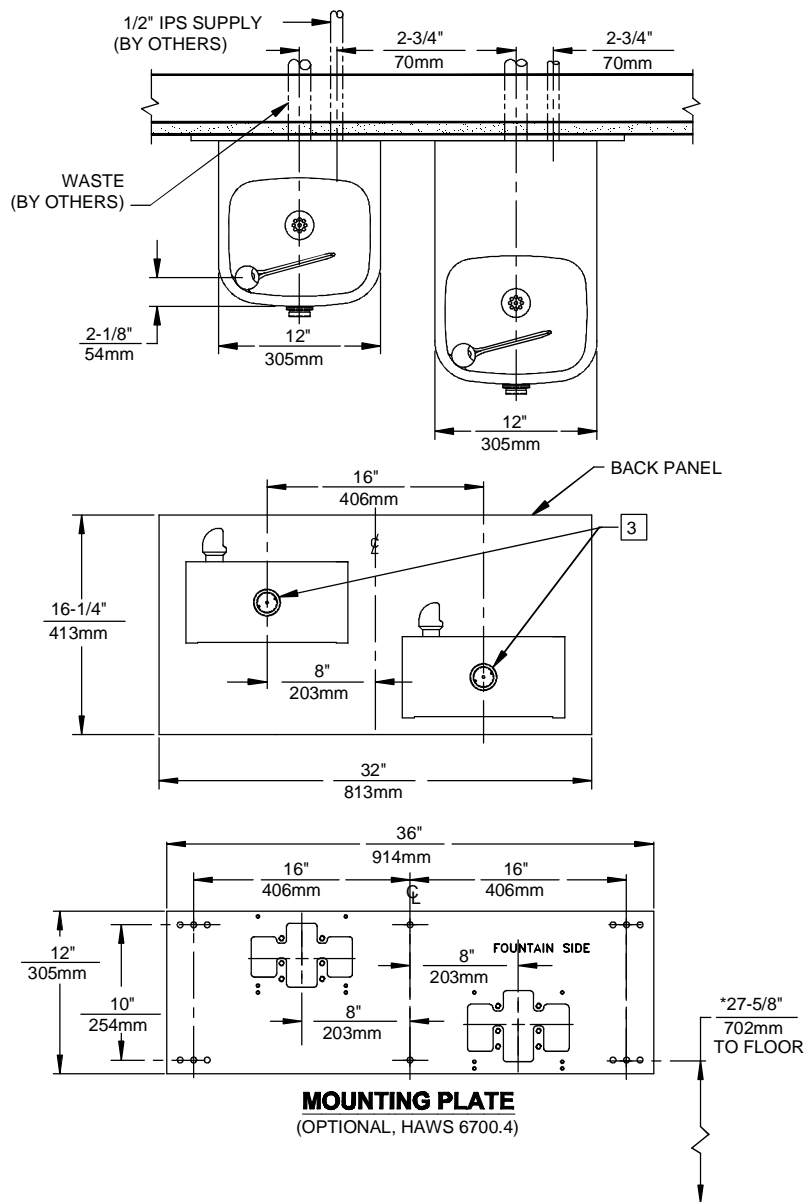
For more information, visit www.hawsc.com or call (888) 640-4297.

APPLICATIONS

Perfect for either public or private indoor/outdoor settings, heavy-duty Model 1119.14 is a great fit in areas where aesthetics are important to the overall appeal of the architecture. Suitable in areas where extra durability is needed, thicker gauged steel is implemented so this unit mounts solidly from any wall. Beautiful satin finish helps to maintain the fountains overall appeal so it always remains looking as new as it did when it was installed. Specifically, this type of wall mounted drinking fountain may be placed in settings such as: schools and other locations in and around office buildings where the temperature remains above freezing. Model meets all current Federal Regulations for the disabled including those in the Americans with Disabilities Act. Haws manufactures drinking fountains and electric water coolers to be lead-free by all known definitions including NSF/ANSI Standard 61, Section 9, NSF/ANSI 372, California Proposition 65, and the Federal Safe Drinking Water Act. Product is compliant to California Health and Safety Code 116875 (AB 1953-2006).



THIS DOCUMENT IS TRUE AND CORRECT AT TIME OF PUBLICATION. CONTINUED PRODUCT IMPROVEMENTS MAKE SPECIFICATIONS AND MEASUREMENTS SUBJECT TO CHANGE WITHOUT NOTICE.



NOTES:

- HOLD ROUGH-IN DIMENSIONS $\pm 1/4"$ (6.4mm).
- WHEN INSTALLING THIS UNIT LOCAL, STATE OR FEDERAL CODES SHOULD BE ADHERED TO. FOR INSTALLATION HEIGHTS OTHER THAN SHOWN, DIMENSIONS MARKED (*) MUST BE ADJUSTED ACCORDINGLY.
- REFER TO 5874SS OPERATION AND MAINTENANCE MANUAL FOR PUSH BUTTON AND VALVE INSTALLATION/MAINTENANCE INSTRUCTIONS.

		1455 KLEPPE LANE SPARKS, NEVADA 89431 (775) 359-4712 FAX (775) 359-7424 E-MAIL: HAWS@HAWSCO.COM WEBSITE: WWW.HAWSCO.COM	
		ECN NO. REVISED PER BY: MODEL(S) ECN: 4828 HM	PART NUMBER 0002076717.D
DRAWN: F. VASQUEZ DATE: 04/01/04	CHECKED: HM DATE:	1119.14	DRAWING NO. REV 13638C00 18
APPROVED:	DATE:	SCALE: 1:1 DRAWING TYPE: INSTALLATION	SIZE: A SHEET 1 OF 1