



model **5452LF**
Sink Faucet

FEATURES & BENEFITS

VALVE

Polished chrome-plated, lead-free brass, lever handle self-closing valve features automatic pressure compensation stream control.

QUALITY

Gooseneck valve is pre-built and fully water and pressure tested to ensure no leaks and proper function for reduced installation time and added peace of mind.

OPTIONS

For more information, visit www.hawesco.com or call (888) 640-4297.



SPECIFICATIONS

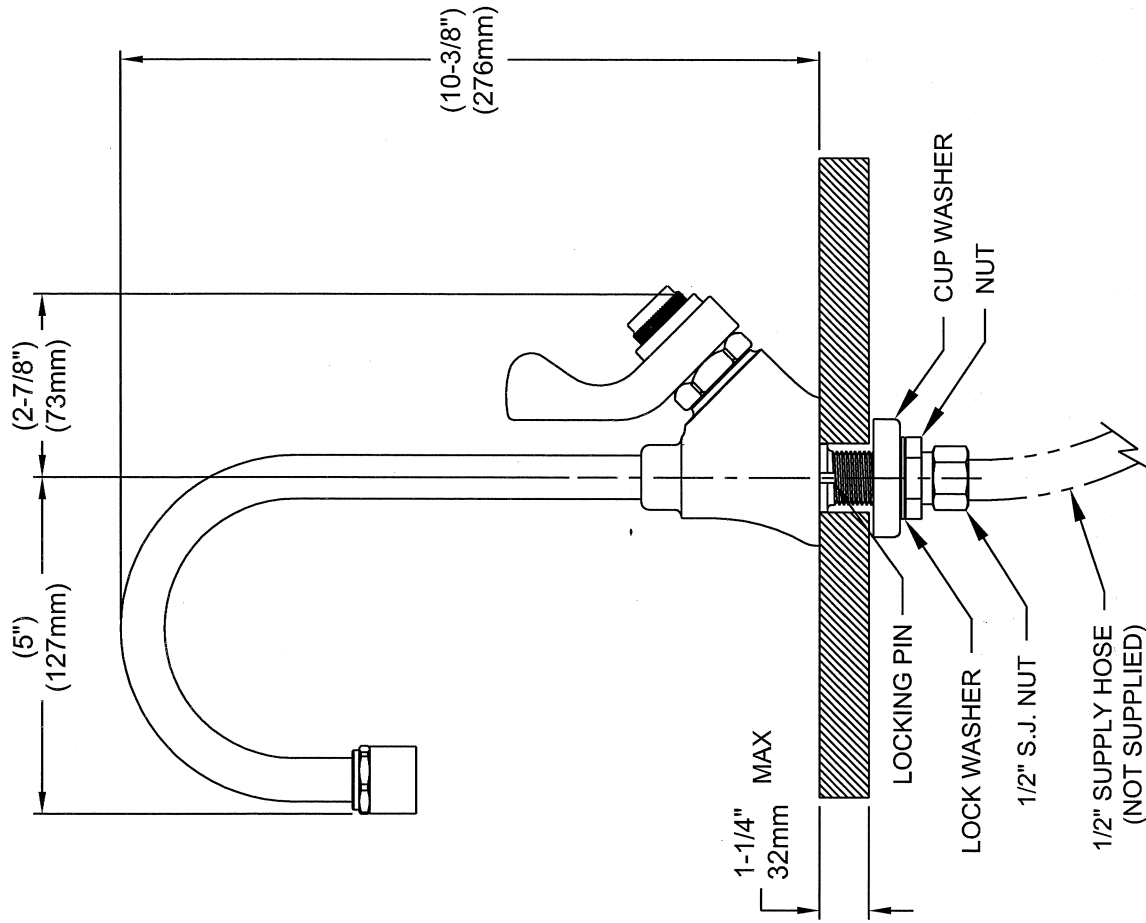
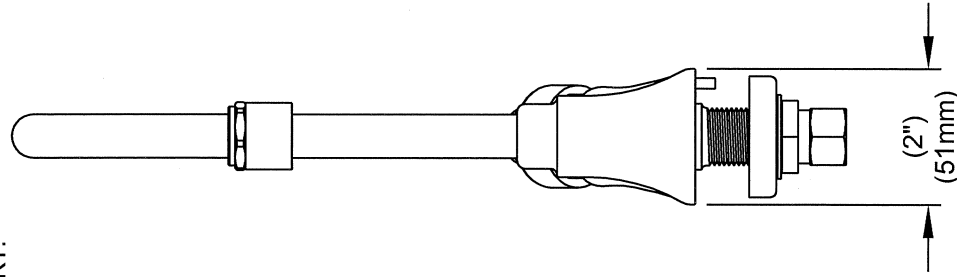
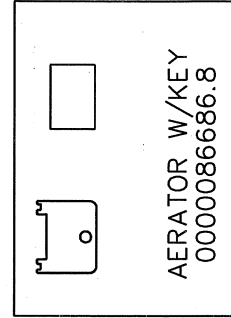
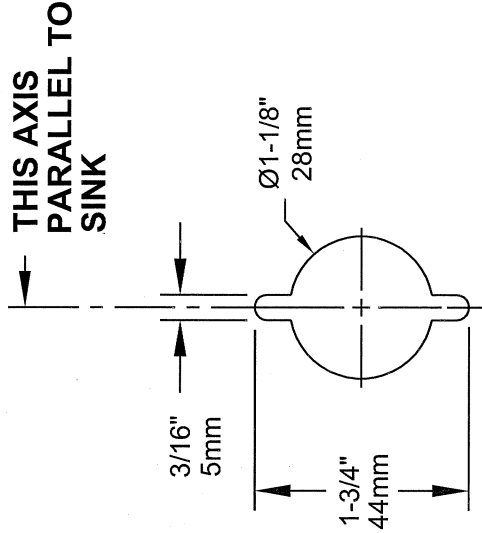
Model 5452LF is a polished chrome-plated brass lever handle, self-closing gooseneck faucet with a vandal-resistant .5 gpm (1.9 L) aerator, vandal-resistant lock pin, and 1/2" O.D. (1.3 cm) slip-joint inlet.

APPLICATIONS

Perfect for either public or private indoor settings, the 5452LF is a great fit in areas where a sink is present. Specifically, this type of deck mounted glass-filler faucet may be placed in settings such as: schools, classrooms, laboratories, restaurants, and other facilities where the need for a deck mounted source of water is present. Haws manufactures drinking fountains and electric water coolers to be lead-free by all known definitions including NSF/ANSI Standard 61, Section 9, NSF/ANSI 372, California Proposition 65, and the Federal Safe Drinking Water Act.

NOTES:

1. BE SURE INDEXING PINS ARE INSTALLED AND ORIENTED TO ACCOMODATE YOUR DESIRED MOUNTING.
2. THE HANDLE/STEM REPAIR KIT FOR THIS MODEL IS: 5452HST.
3. THE VALVE REPAIR KIT FOR THIS MODEL IS: 5800VRKT.



REPLACEMENT PARTS AVAILABLE



1455 KLEPPE LANE
SPARKS, NEVADA 89431
(775) 359-4712 FAX (755) 359-7424
E-MAIL: HAWS@HAWS.CO.COM
WEBSITE: WWW.HAWS.CO.COM

ECN NO. REVISED PER BY:	MODEL(S)	5452LF
3936 ECN: 4514 SLS	SELF-CLOSING GOOSENECK VALVE	
DRAWN: DATE: CHD	SCALE: 1:2	DRAWING TYPE: INSTALLATION
DO: 387	SIZE: A	SHEET 1 OF 1
APPROVED: [Signature]	PART NUMBER	0002074495
	DRAWING NO.	12933A00
	REV	5