



model **5703M**
Bubbler Head

FEATURES & BENEFITS

OPTIONS

For more information, visit www.hawesco.com or call (888) 640-4297.



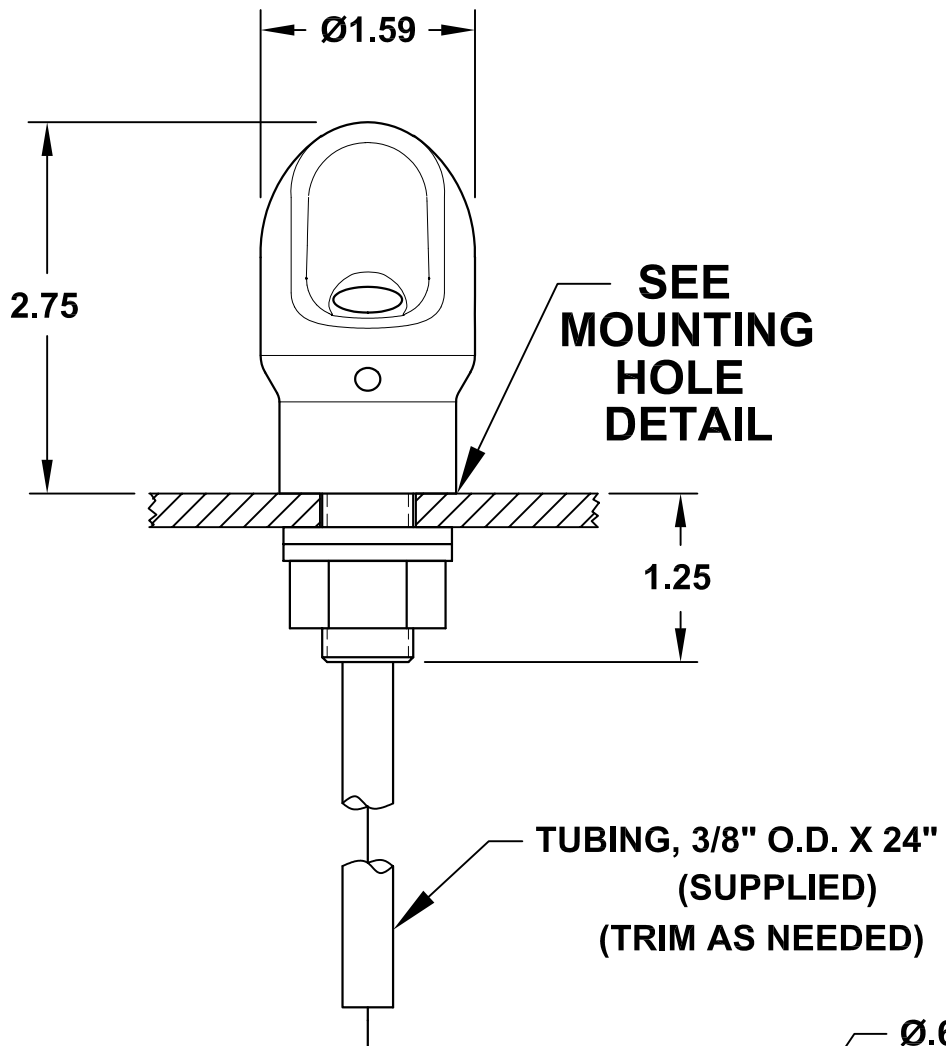
SPECIFICATIONS

Model 5703M is a polished chrome-plated brass bubbler head with shielded sanitary nozzle design, mounting hardware, and a 3/8" compression inlet with 100% lead-free waterways.

APPLICATIONS

Easily adapted to many situations involving the use of drinking water, this type of bubbler head is used as a replacement head for many Haws fountains, and may be placed in such settings as: schools, campgrounds, laboratories, classrooms, parks, and other areas where the need for a bubbler head is needed to dispense water. Haws manufactures drinking fountains and electric water coolers to be lead-free by all known definitions including NSF/ANSI Standard 61, Section 9, NSF/ANSI 372, California Proposition 65, and the Federal Safe Drinking Water Act.

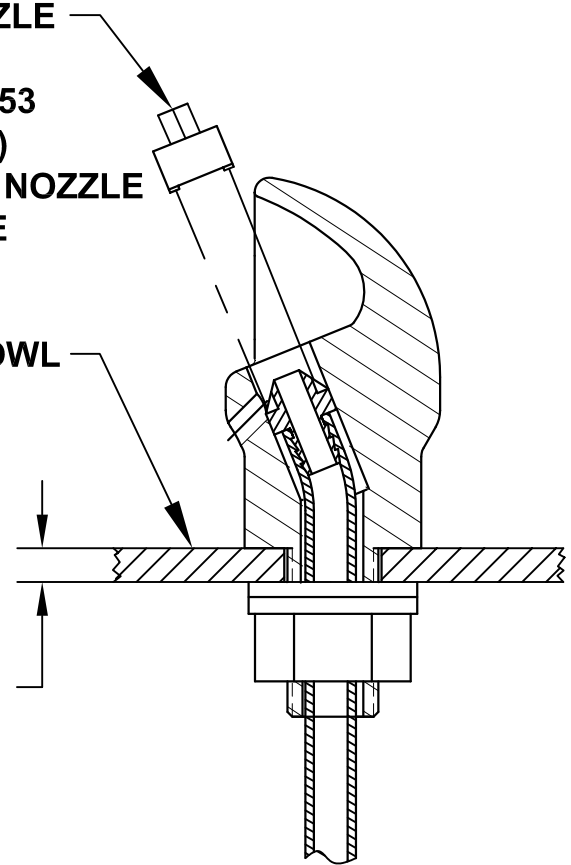
THIS DOCUMENT IS TRUE AND CORRECT AT TIME OF PUBLICATION. CONTINUED PRODUCT IMPROVEMENTS MAKE SPECIFICATIONS AND MEASUREMENTS SUBJECT TO CHANGE WITHOUT NOTICE.



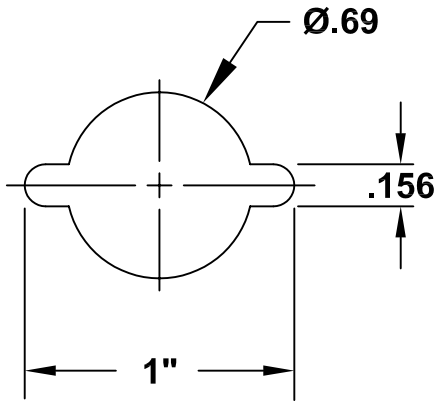
DRIVER, NOZZLE
.25 HEX
PN 0002082253
(OPTIONAL)
FOR REMOVAL OF NOZZLE
WITH TUBE

DECK/BOWL
(REF)

3/4" MAX



TUBING, 3/8" O.D. X 24"
(SUPPLIED)
(TRIM AS NEEDED)



MOUNTING HOLE DETAIL

 Haws [®]		1455 KLEPPE LANE SPARKS, NEVADA 89431 (775) 359-4712 FAX (755) 359-7424 E-MAIL: HAWS@HAWSCO.COM WEBSITE: WWW.HAWSCO.COM	
		ECN NO. REVISED PER BY: MODEL(S) ECN: 4565 HJM CHKD:	PART NUMBER 0002077563
DRAWN: C. HAYES DATE: 08/08/93 APPROVED:	DATE:	5703M DRINKING FAUCET HEAD	DRAWING NO. 10886A00 REV 7
SCALE: 1:1 DRAWING TYPE: INSTALLATION		SIZE: A SHEET 1 OF 1	