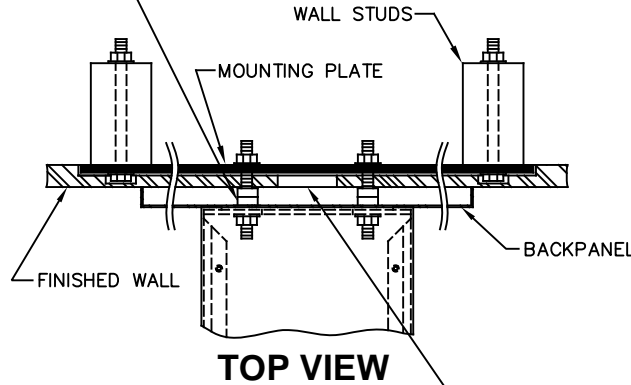
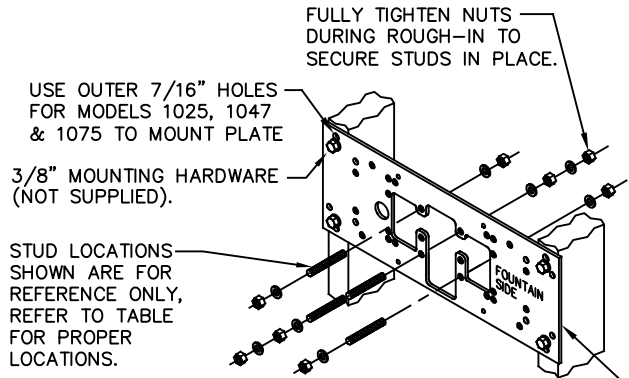


USE QTY 2 RUBBER SPACERS(QTY 8 SUPPLIED WITH BACK PANEL) ON EACH STUD (QTY 4 SUPPLIED) TO PROVIDE BACK PANEL SUPPORT.

MODEL	MTG HOLES	"X" DIM
1000	"G"	25-3/8" [645mm]
1001	"G"	25-3/8" [645mm]
1025	"D"	28-1/8" [714mm]
1047	"E"	27-1/2" [699mm]
1075	"E"	28" [711mm]
1105	"H"	34-5/16" [872mm]
1109	"H"	27-5/16" [694mm]
1116	"G"	25-3/8" [645mm]
1001FR	"G"	25-3/8" [645mm]
1109FR	"H"	27-5/16" [694mm]
1075FR	"E"	28" [711mm]
1311	"E"	26-3/4" [679mm]
1107L	"F"	26-3/16" [665mm]
1311TRIMCA	"E"	26-3/4" [679mm]



*FINISH WALL OVER MOUNTING PLATE AND BEHIND BACKPANEL. MAKE SURE THAT FINISHED WALL EXTENDS WITHIN THE BRACKET/BOWL MOUNTING HOLES (TO PROVIDE SURFACE AREA FOR RUBBER SPACERS TO CONTACT).

CAUTION

REGARDING CONCRETE/MASONRY WALL MOUNTING: DO NOT SECURE MOUNTING PLATE TO SAME SIDE OF WALL AS FOUNTAIN. AVOID COMPROMISING INTEGRITY OF WALL WHEN ANCHORING FOUNTAIN. IT IS RECOMMENDED THAT INSTALLER CALL TECHNICAL SUPPORT IF THERE ARE ANY QUESTIONS AS TO HOW TO OBTAIN A PROPER ANCHOR IN CONCRETE/MASONRY WALLS. 1-800-766-5612

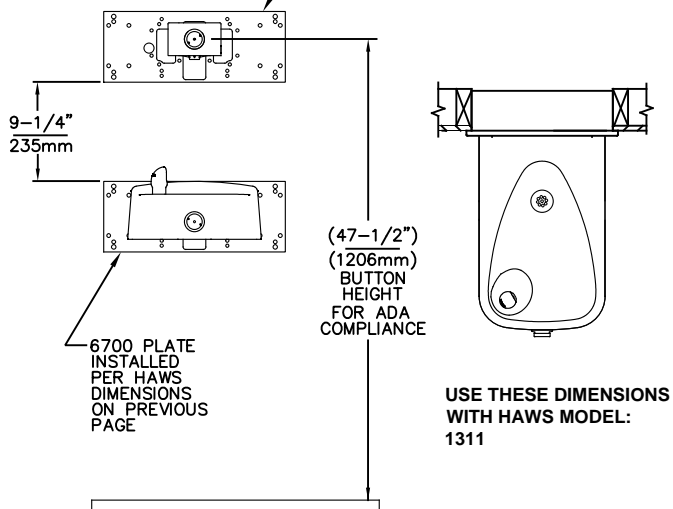
Haws

1455 KLEPPE LANE
SPARKS, NEVADA 89431
(775) 359-4712 FAX (775) 359-7424
E-MAIL: HAWS@HAWSCO.COM
WEBSITE: WWW.HAWSCO.COM

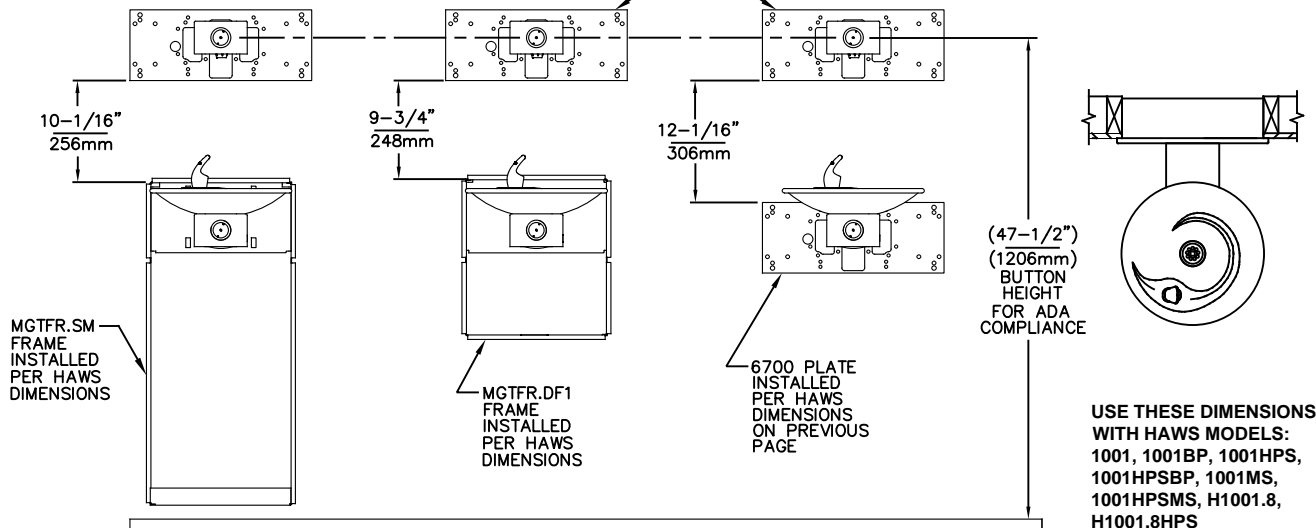
ECN NO.	REVISED PER	BY:	MODEL(S)	PART NUMBER
	ECN: 5172	FV	6700	0002080016
DRAWN:	DATE:	CHK'D:	MOUNTING PLATE, SINGLE	DRAWING NO.
CJL	09/03/03			05387C00
APPROVED:	DATE:	SCALE:	DRAWING TYPE:	SIZE:
FV	02/27/17	1/5	INSTALLATION	A

SHEET 1 OF 2

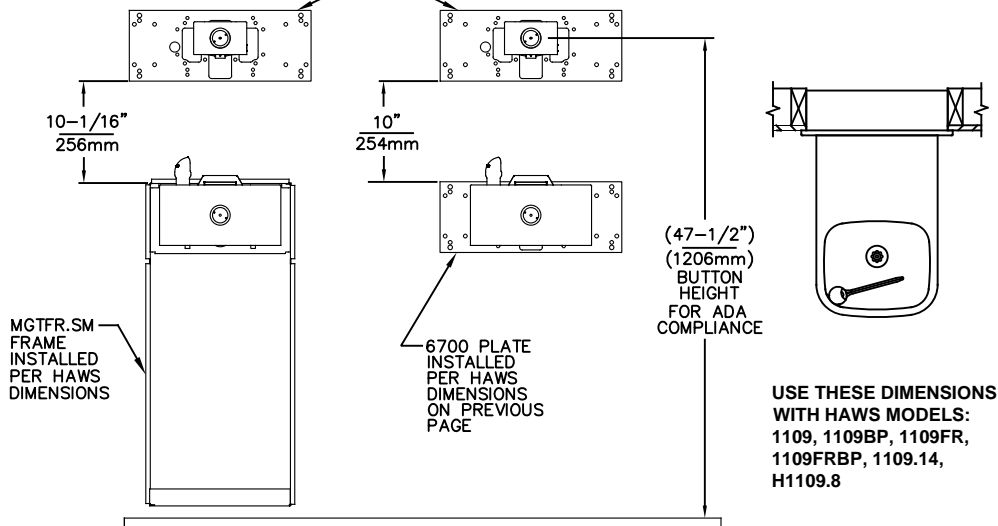
6700 PLATE INSTALLED TO MOUNT 1920 BOTTLE FILLER



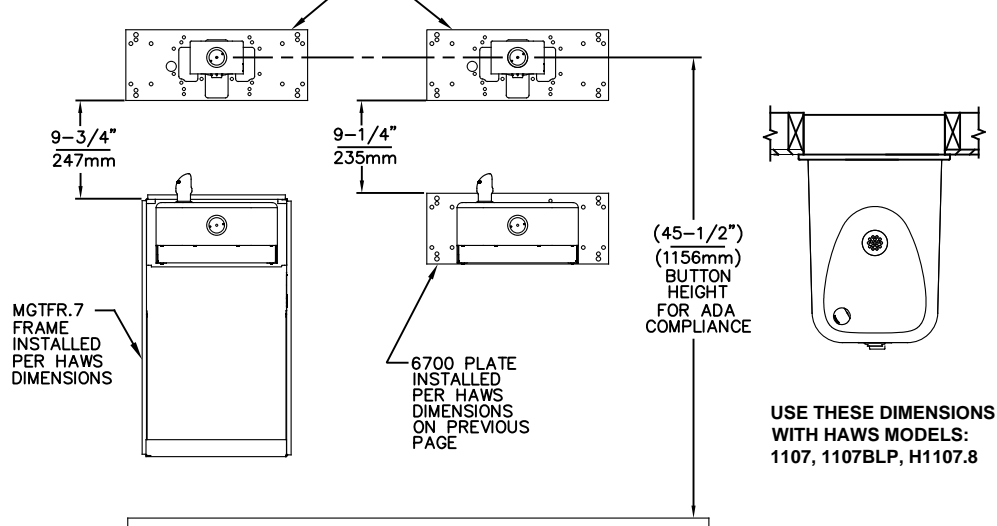
6700 PLATE INSTALLED TO MOUNT 1920 BOTTLE FILLER



6700 PLATE INSTALLED TO MOUNT 1920 BOTTLE FILLER



6700 PLATE INSTALLED TO MOUNT 1920 BOTTLE FILLER



NOTES:
WHEN INSTALLING THIS UNIT, LOCAL, STATE OR FEDERAL CODES SHOULD BE ADHERED TO.



1455 KLEPPE LANE
SPARKS, NEVADA 89431
(775) 359-4712 FAX (775) 359-7424
E-MAIL: HAWS@HAWSCO.COM
WEBSITE: WWW.HAWSCO.COM

ECN NO.	REVISED PER	BY:	MODEL(S)	PART NUMBER
	ECN: 5172	FV	6700	0002080016
DRAWN:	DATE:	CHK'D:		DRAWING NO.
MJ	02/09/17			05387C00
APPROVED:	DATE:			REV
FV	02/27/17			20
SCALE: 1/5			DRAWING TYPE: INSTALLATION	SIZE: A SHEET 2 OF 2