

## Features

- Plain-end swing spout
- Two Lever handles offer separate control of hot and cold water
- Aerated flow
- 4.0 gpm (15.1 lpm) minimum flow rate at 20 psi (1.3 bar)
- Quarter-turn washerless ceramic disc valves
- Less drain

## Material

- Premium metal construction for durability and reliability
- KOHLER finishes resist corrosion and tarnishing

## Installation

- For 4" (102 mm) centers
- Three-hole installation



## Codes/Standards

ASME A112.18.1/CSA B125.1  
NSF/ANSI/CAN 61  
NSF/ANSI/CAN 372

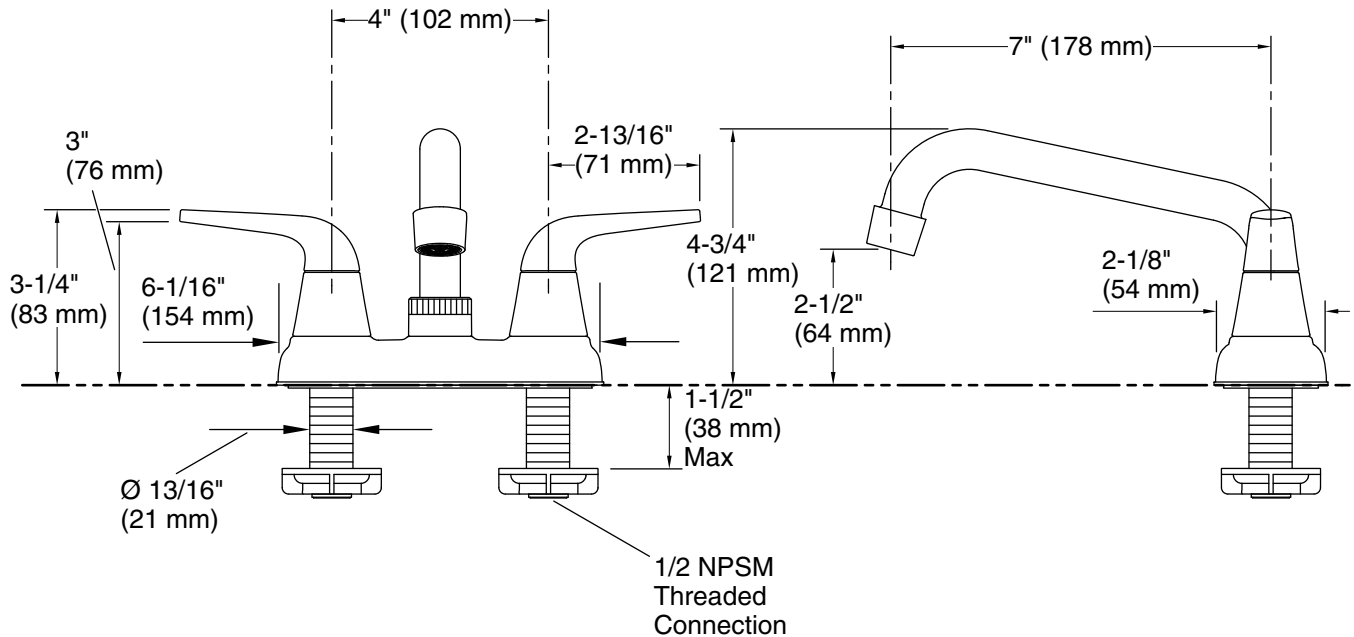
## KOHLER<sup>®</sup> Faucet Lifetime Limited Warranty

See website for detailed warranty information.

## Available Colors/Finishes

*Color tiles intended for reference only.*

Color	Code	Description
	CP	Polished Chrome



### Technical Information

All product dimensions are nominal.

Faucet flow rate: 4 gal/min (15.1 l/min)

### Spout:

Spout reach: 7" (178 mm)

### Notes

Install this product according to the installation instructions.