



HydroRail[®]-S | K-45906

Shower column

Features

- Column lets you customize your shower with a showerhead and handshower
- Designed for new installations or retrofit to replace an existing installed shower arm
- Slidebar bracket allows you to adjust the height and angle of the handshower
- Diverter at base of column makes for easy toggling between handshower and showerhead
- Rainhead, handshower, and hose sold separately to allow for customized components



Available Colors/Finishes

Color tiles intended for reference only.

- AF Vibrant French Gold
- BL Matte Black
- 2MB Vibrant Brushed Moderne Brass
- TT Vibrant Titanium



1-800-4KOHLER (1-800-456-4537)
Kohler Co. reserves the right to make revisions without notice to product specifications.
For the most current specification sheet, go to www.kohler.com USA or www.kohler.ca Canada.
4-22-2026 11:8 - US-CA

THE BOLD LOOK
OF **KOHLER**

Codes/Standards

ADA compliant when installed to the specific requirements of these regulations.

ADA

ASME A112.18.1/CSA B125.1

ADA

Material

- KOHLER finishes resist corrosion and tarnishing
 - Premium metal construction for durability and reliability
-

Recommended Products/Accessories

1194302 Large Escutcheon and Mounting Collar Kit

K-23723 Faucet cleaner

K-13688 Round 8" single-function rainhead, 2.5 gpm

K-13689 Round 10" single-function rainhead, 2.5 gpm

K-13692 8" single-function rainhead, 2.5 gpm

K-13695 Square 8" single-function rainhead, 2.5 gpm

Warranty

See website for detailed warranty information.

KOHLER® Faucet Lifetime Limited Warranty

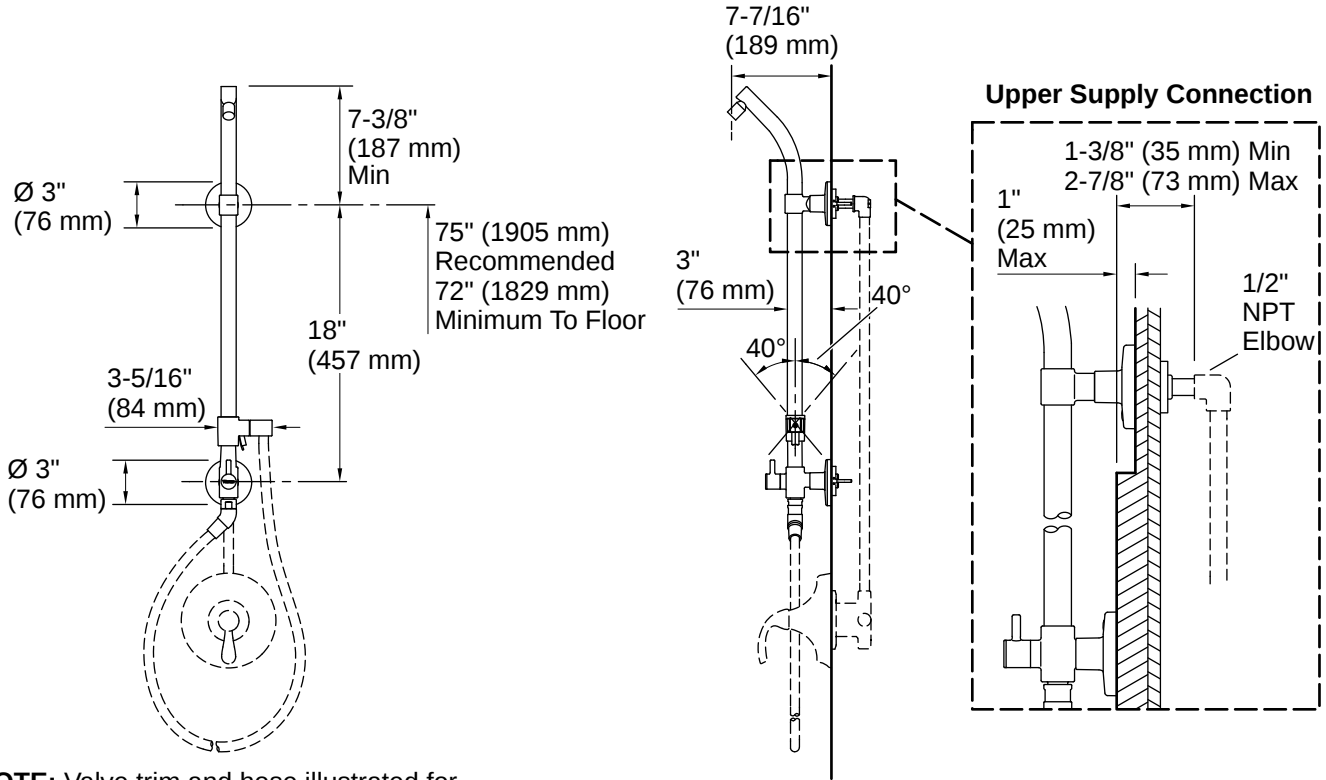


1-800-4KOHLER (1-800-456-4537)

Kohler Co. reserves the right to make revisions without notice to product specifications.

For the most current specification sheet, go to www.kohler.com USA or www.kohler.ca Canada.

4-22-2026 11:8 - US-CA



NOTE: Valve trim and hose illustrated for dimensioning only, not included in the product.

Installation

- Wall-mount shower-only installation
- Installs in less than 60 minutes without changes to in-wall plumbing (subject to condition of existing installation)
- Includes an adapter that will fit with most installations but may require K-1194630, K-1187917 or K-1194302

Installation Notes

Install this product according to the installation instructions.

Order deep roughing-in kit 1194630 if the distance from the elbow to the finished wall surface is between 2-7/8" (73 mm) to 4" (102 mm). Order shallow roughing-in kit 1187917 if the distance from the elbow to the finished wall surface is less than 1-3/8" (35 mm). A 3" (76 mm) escutcheon/mounting collar is supplied to fit a 1" (25 mm) to 1-1/4" (32 mm) supply connection hole diameter. Order 1194302 large escutcheon/mounting collar kit if the supply connection hole diameter is between 1-1/4" (32mm) to 2-1/4" (57 mm). ADA compliant when installed to the specific requirements of these regulations.

